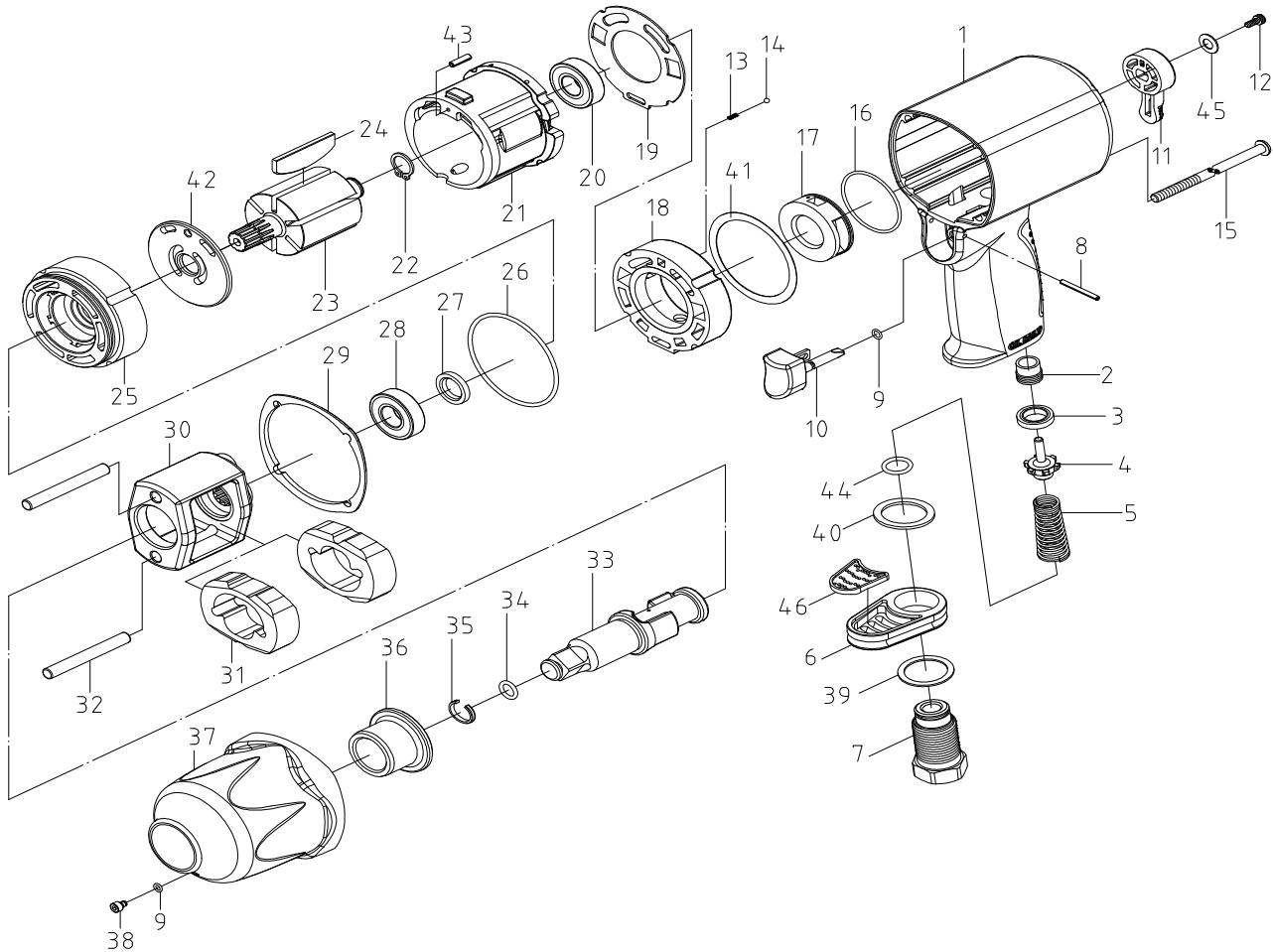


# MEG5447 (HY-2360) 1/2" AIR IMPACT WRENCH



Index	Part No.	Description	Q'ty	Index	Part No.	Description	Q'ty
1	2360A-06	Housing sub assembly	1	24	106031-01	Rotor Blade	6
2	1060B-01	Screw + Seal ASSY C	1	25	106032-02	Front End Plate	1
3	46004-B	Valve Seat	1	26	106033-01	O-Ring	1
4	46005-A	Throttle Valve	1	27	106034-01	Oil Seal	1
5	236007-01	Valve Spring	1	28	46016-01	Ball Bearing	1
6	106008-01	Exhaust Deflector	1	29	236034-02	Ornamental Gasket	1
7	236009-02	Air Inlet Bushing	1	30	106037-21	Hammer Cage	1
8	43203-01	Spring Pin	1	31	106038-21	Hammer Dog	2
9	102112-01	O-Ring	2	32	106039-21	Hammer Pin	2
10	106015-02	Trigger	1	33	106040-21	Anvil	1
11	236013-02	Reverse Switch	1	34	16017-01	O-Ring	1
12	236014-01	Screw	1	35	16016-01	Socket Retainer	1
13	106021-01	Spring	1	36	46042-01	Anvil Bushing	1
14	106022-01	Steel Ball	1	37	2360C-01	Hammer Case sub assembly	1
15	236018-01	Cap Screw	4	38	106046-01	Screw	1
16	106017-01	O-Ring	1	39	106051-01	Washer	1
17	236020-01	Reverse Switch	1	40	236054-01	Seal	1
18	2360B-01	Reverse Bushing B	1	41	106056-01	Gasket	2
19	106025-01	Gasket	1	42	106057-01	Washer	1
20	16023-01	Ball Bearing	1	43	38510-01	Dowel Pin	1
21	1060D-01	Cylinder sub assembly	1	44	106009-01	O-Ring	1
22	27526-01	Retainer Ring	1	45	286050-01	Washer	1
23	106030-01	Rotor	1	46	236049-01	Muffler Cover	1