

MUSTANG KYMI



EN

FI

SV

ET

LV

LT

RU

EN GAS SMOKER

FOR OUTDOOR USE ONLY. PLEASE READ THESE INSTRUCTIONS CAREFULLY BEFORE ASSEMBLY. RETAIN THIS MANUAL FOR FUTURE REFERENCE.

Prior to installation, ensure that the local distribution conditions (nature of gas and gas pressure) and the adjustment of the appliance are compatible. The adjustment conditions for this appliance are stated on the data plate.

FI KAASUSAVUSTIN

VAIN ULKOKÄYTTÖÖN. LUE OHJEET HUOLELLISESTI ENNEN LAITTEEN KÄYTTÖNOTTOA. SÄILYTTÄ TÄMÄ OHJE MYÖHEMPÄÄ KÄYTTÖÄ VARTEN.

Tarkista ennen laitteen asentamista, että laitteen säädöt vastaavat paikallisia kaasuliitännöjä koskevia vaatimuksia (kaasun tyyppi ja paine). Laitteen säädöt on ilmoitettu arvokilvessä.

SV GASOLRÖK

FÅR ENDAST ANVÄNDAS UTMOMHUS. LÄS ANVISNINGARNA NOGGRANT INNAN APPARATEN TAS I BRUK. FÖRVARA DESSA ANVISNINGAR FÖR FRAMTIDA REFERENS.

Kontrollera före installationen att de lokala distributionsförhållandena (typ av gas och gastryck) och apparatens inställningar är kompatibla. Inställningsvillkoren för den här apparaten anges på märkskylten.

ET GAASIAHI

MÕELDUD AINULT VÄLISTINGIMUSTES KASUTAMISEKS. ENNE GRILLAHJU KOKKUPANEMIST LUGEGE JUHEND HOOLIKALT LÄBI. HOIDKE SEE JUHEND EDASPIDISEKS KASUTAMISEKS ALLES.

Veenduge enne paigaldamist, et seadme seadistused vastavad kohaliku gaasiühenduse tingimustele (gaasi tüüp ja rõhk). Teadet seadme seadistuste kohta leiate selle andmesildilt.

LV GĀZES KŪPINĀTAVA

LIETOŠANAI ĀRA APSTĀKĻOS. PIRMS MONTĀŽAS UZMANĪGI IZLASIET INSTRUKCIJU. SAGLABĀJIET ŠO INSTRUKCIJU TURPMĀKAI ATSAUCEI.

Pirms uzstādīšanas pārlicinieties, vai vietējie sadales nosacījumi (gāzes veids un spiediens) ir saderīgi ar ierīces iestatījumiem. Šīs ierīces iestatīšanas nosacījumi ir norādīti uz datu plāksnītes.

LT DUJINĖ RŪKYKLA

KIRTA NAUDOTI TIK LAUKE. PRIEŠ SURINKDAMI ĮDĖMIAI PERSKAITYKITE ŠIAS INSTRUKCIJAS. SAUGOKITE ŠIĄ INSTRUKCIJĄ, KAD ATEITYJE PRIREIKUS GALĖTUMĖTE PERŽIURĖTI.

Prieš įrengdami įsitinkite, kad vietos inžinerinių tinklų sąlygos (dujų kilmė ir dujų slėgis) atitinka prietaiso parametrus. Šio prietaiso parametrai nurodyti duomenų lentelėje.

RU ГАЗОВАЯ ПЕЧЬ-КОПТИЛЬНЯ

ИСПОЛЬЗОВАТЬ ТОЛЬКО НА УЛИЦЕ. ПЕРЕД СБОРКОЙ ВНИМАТЕЛЬНО ОЗНАКОМЬТЕСЬ С НАСТОЯЩИМ РУКОВОДСТВОМ. СОХРАНИТЕ РУКОВОДСТВО НА БУДУЩЕЕ.

Перед установкой прибора убедитесь, что его регулировки соответствуют местным требованиям, касающимся использования бытового газа (тип и давление газа). Регулировки прибора указаны на на табличке с техническими данными.

Country of use/Käyttömaa/Användningsland/
Kasutusriik/Izmantošanas valsts/Naudojimo šalis/Страна
использования:
I3B/P(30): BE, BG, CY, DK, EE, FI, GR, HU, HR, LT, LU, MT, NL, NO,
RO, SK, SI, SE, TR

KS18784 (324162)

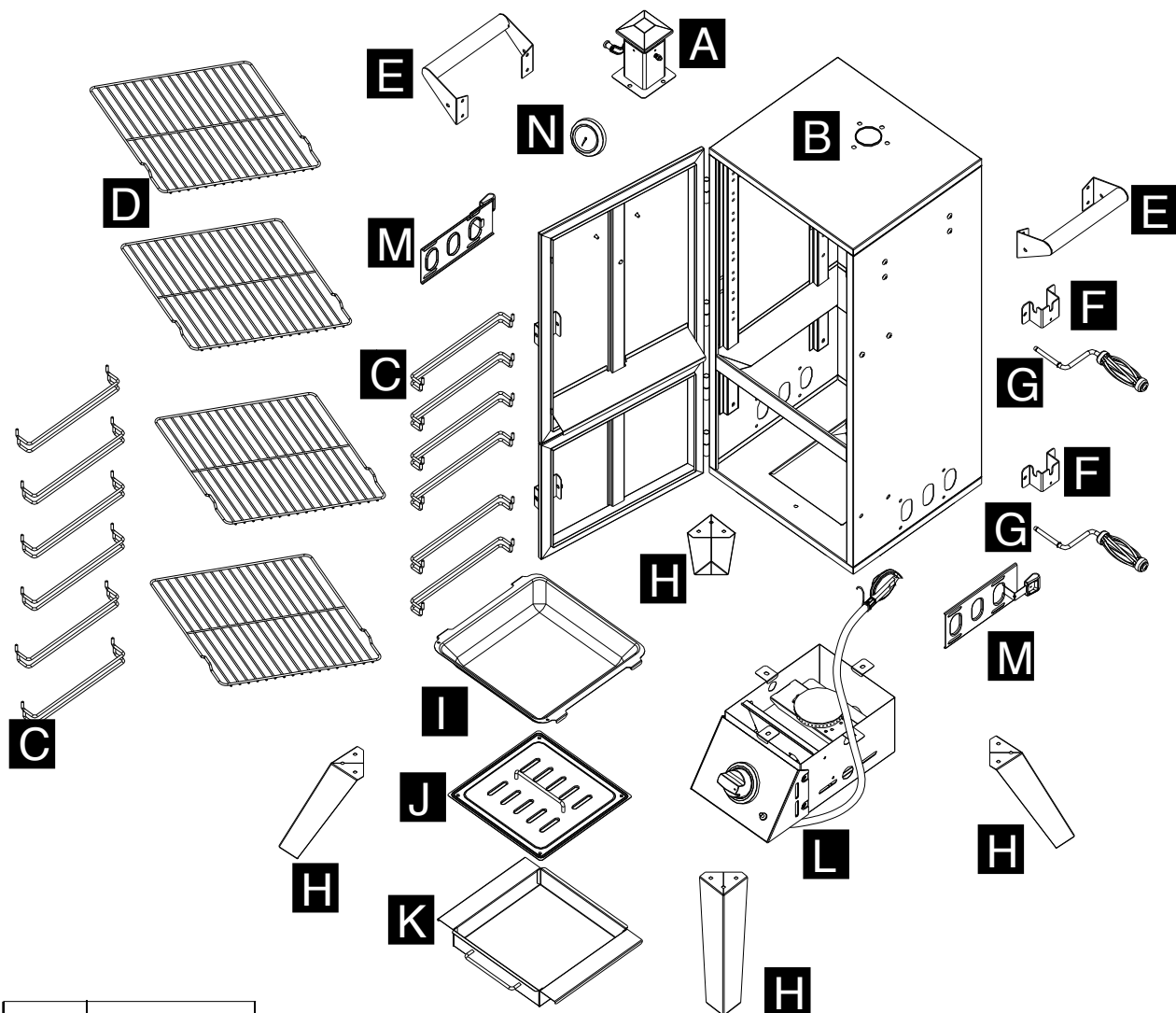
Info/Tootja/Ražotājs/Gamintojas/ Изготовитель: Tammer Brands Oy,
Viinikankatu 36, 33800 Tampere, Finland/Тампере, Финляндия
www.mustang-grill.com



mustang-grill.com

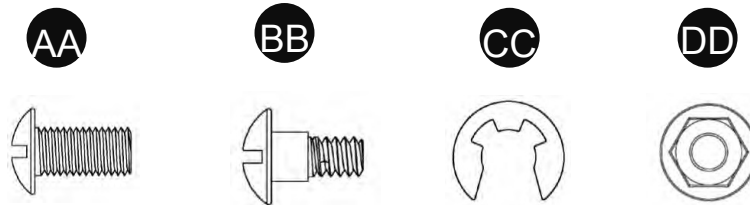
CE 1008-20

FI KOKOAMISOHJEET
 SV MONTERINGSANVISNINGARNA
 EN ASSEMBLY INSTRUCTIONS
 ET KOOSTEJUHISET
 LV MONTĀŽAS INSTRUKCIJU
 LT SURINKIMO NURODYMAI
 RU ИНСТРУКЦИИ ПО СБОРКЕ



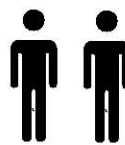
A	1x
B	1x
C	12x
D	4x
E	2x
F	2x
G	2x
H	4x
I	1x
J	1x
K	1x
L	1x
M	2x
N	1x

AA	32x
BB	8x
CC	2x
DD	8x



45 mins

APPROXIMATE ASSEMBLY TIME



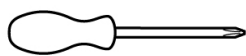
2 PERSON ASSEMBLY

FLOOR AREA
2M X 2M

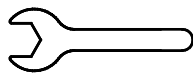


REQUIRED ASSEMBLY SPACE

REQUIRED ASSEMBLY



Philips screwdriver



Wrench
(Do not provided in this product)

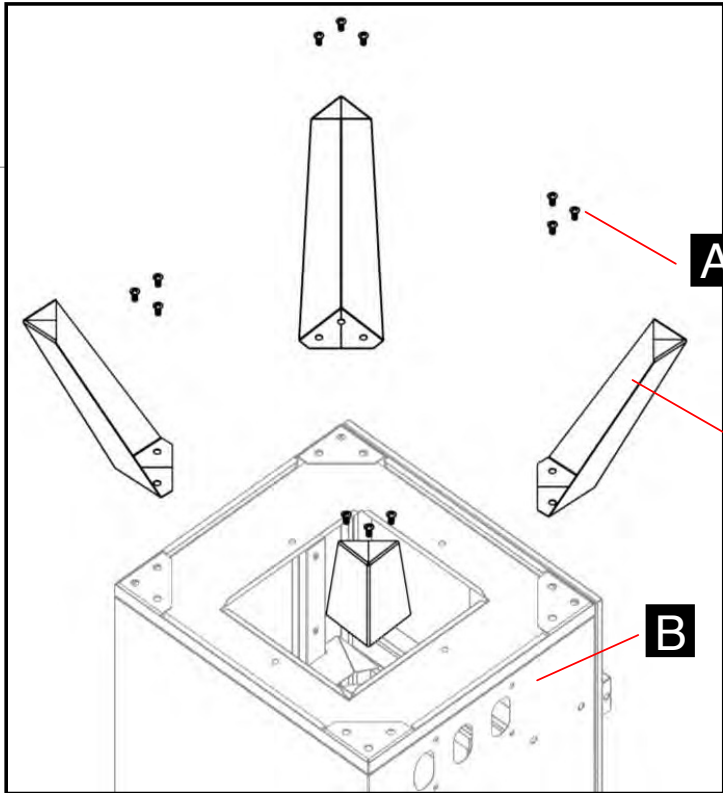


Small hammer



Ruler/ tape measure

1



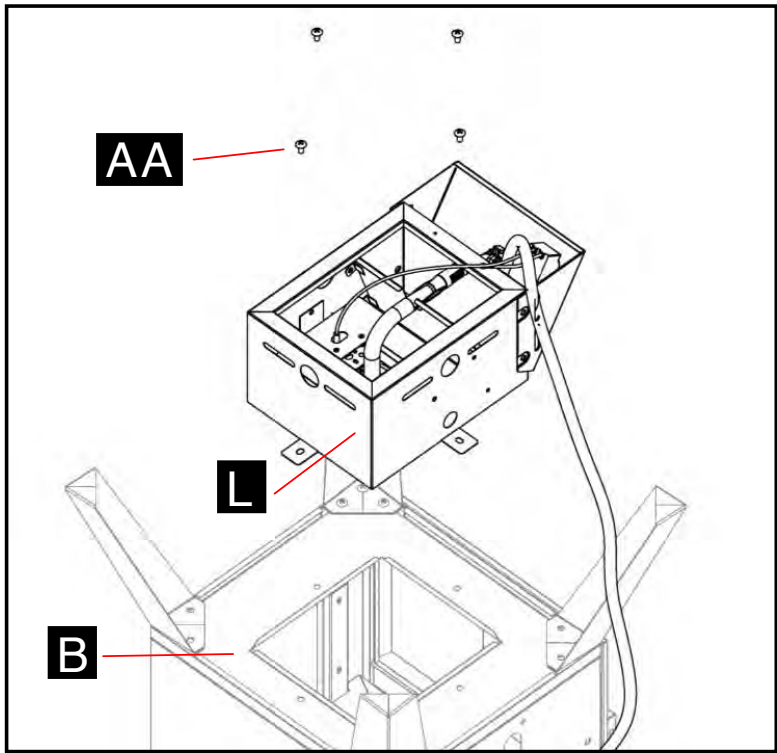
AA

H

B

12x **AA**

2



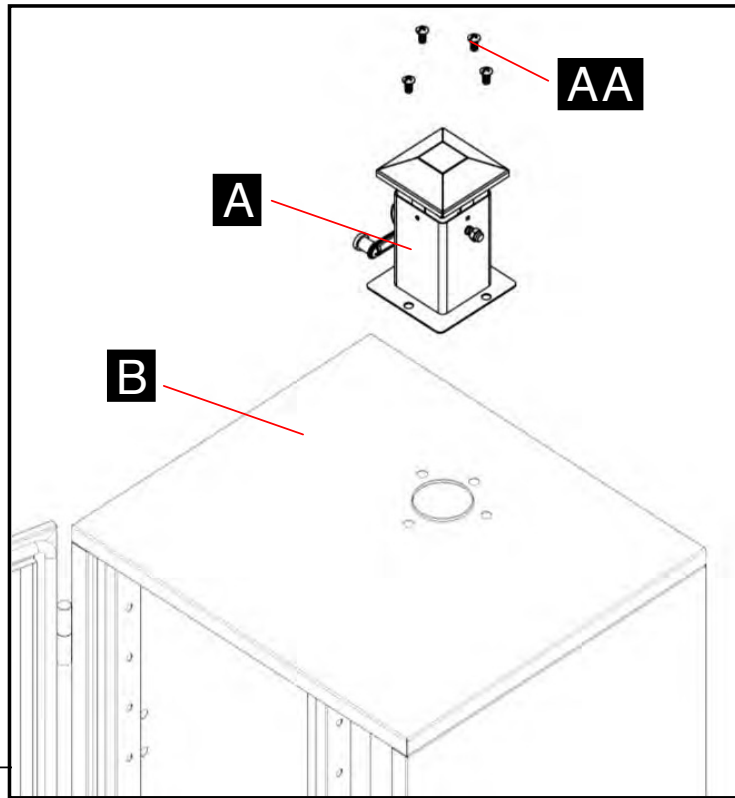
AA

L

B

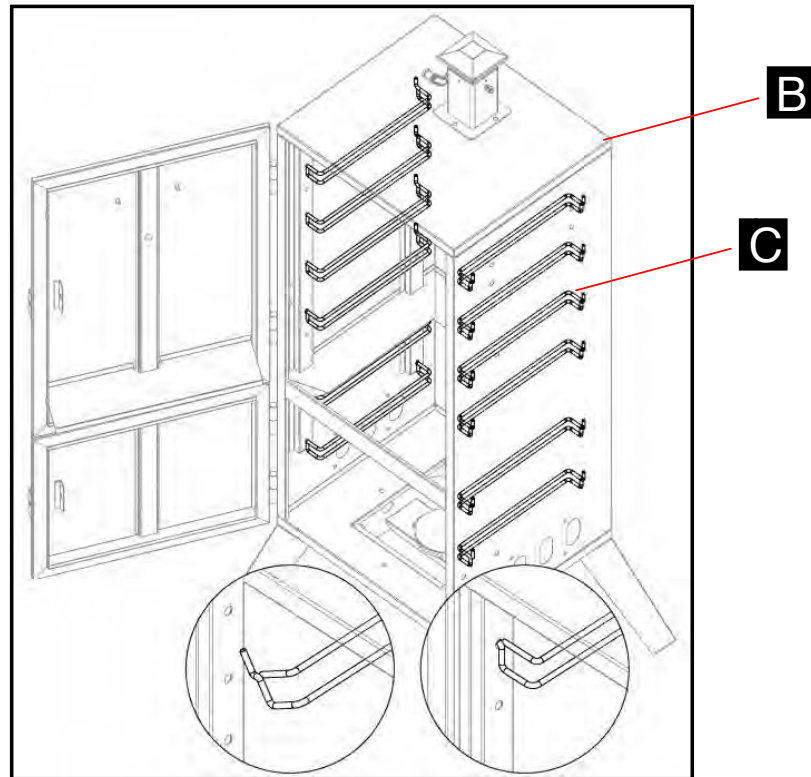
4x **AA**

3



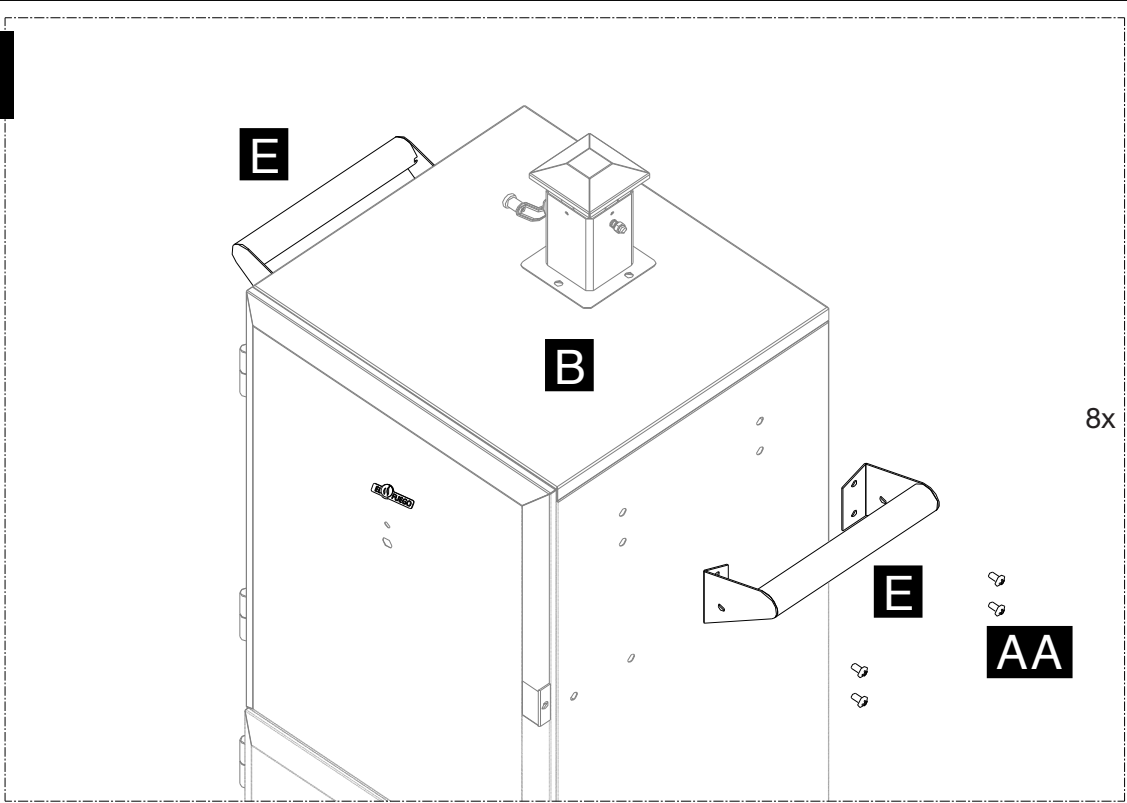
4

4x **AA**

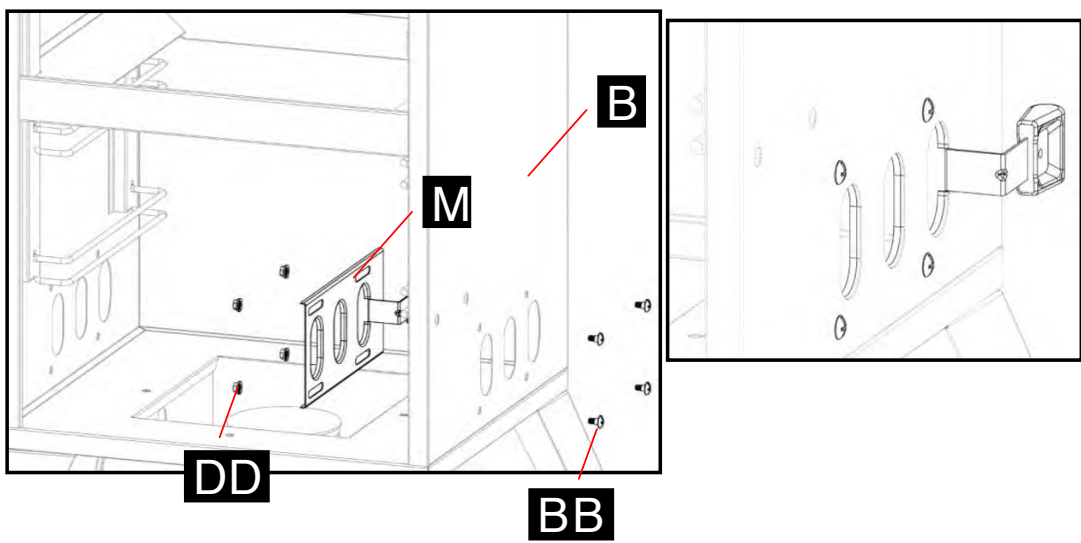


- EN
- FI
- SV
- ET
- LV
- LT
- RU

5



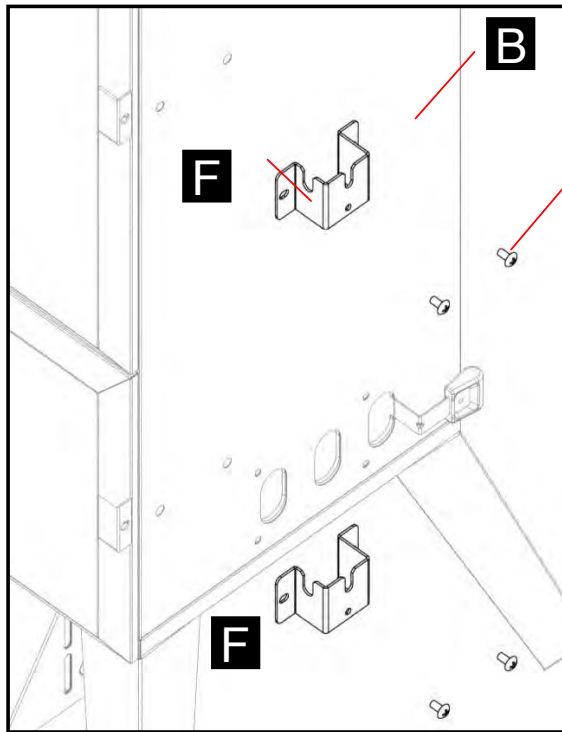
6



8 x **BB**

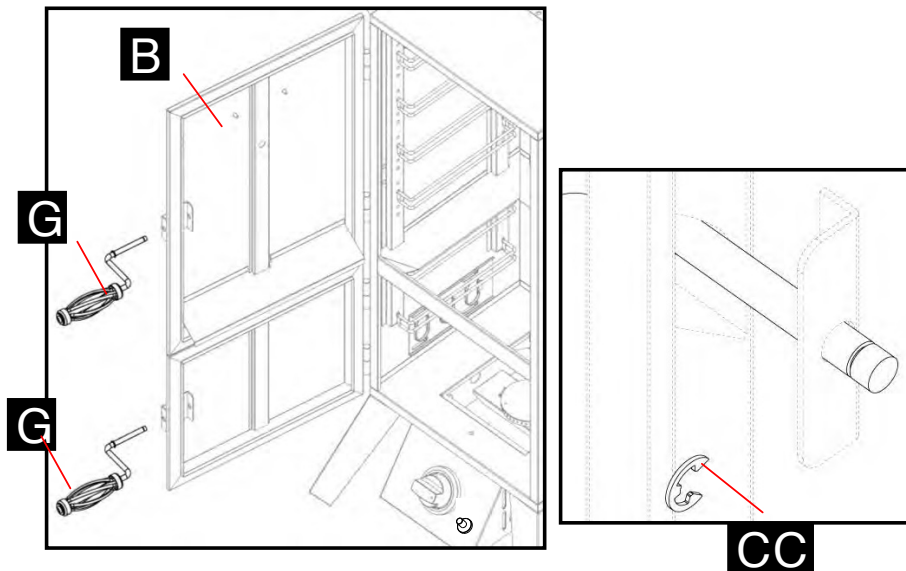
8 x **DD**

7



4x **AA**

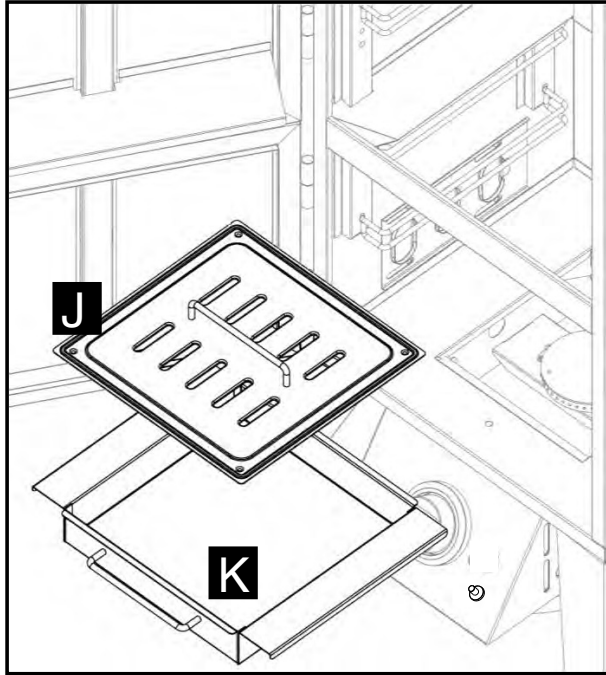
8



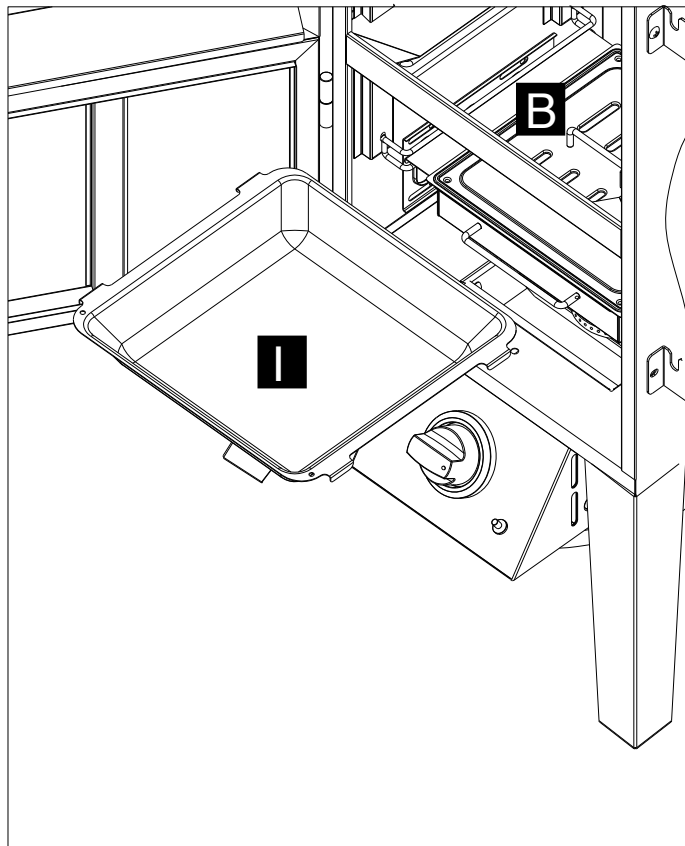
2x **CC**

- EN
- FI
- SV
- ET
- LV
- LT
- RU

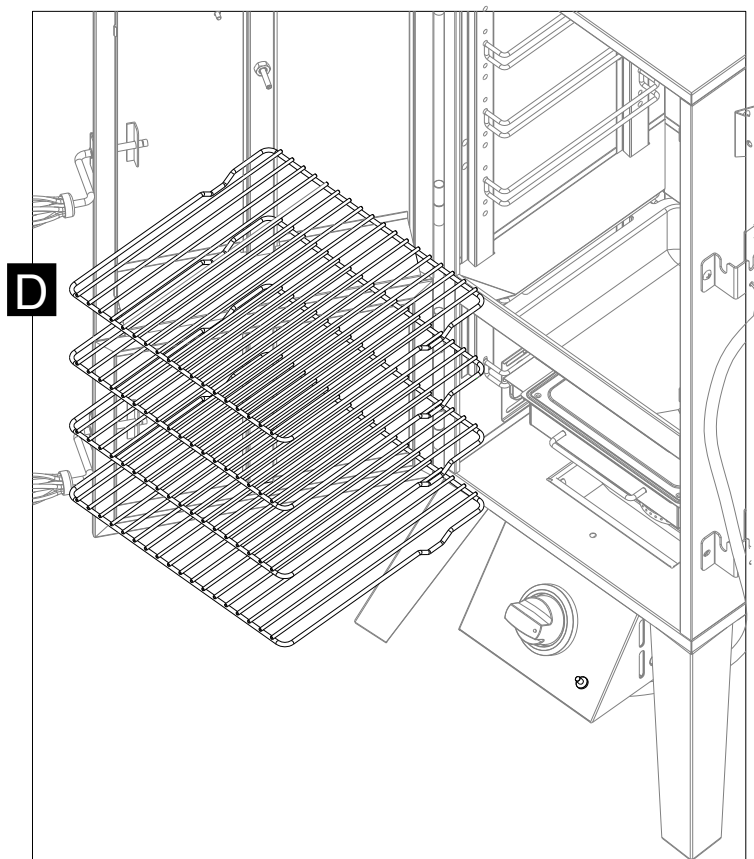
9



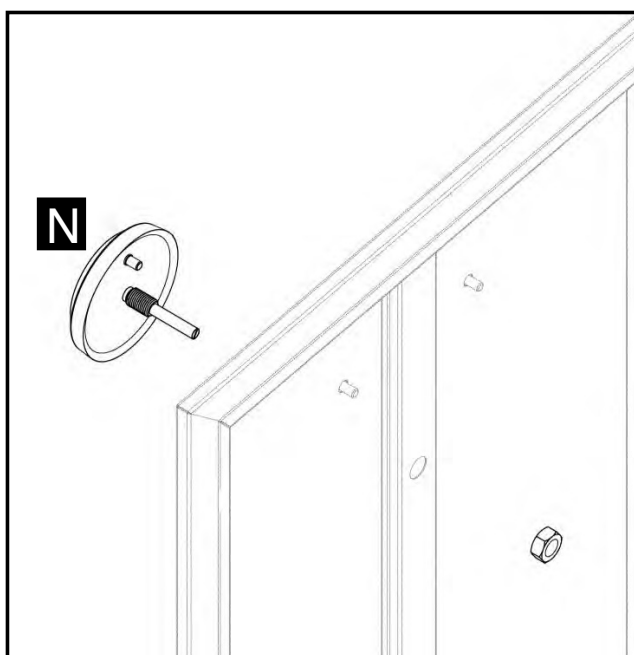
10



11



12



EN

FI

SV

ET

LV

LT

RU



Congratulations on choosing your Mustang product! The Mustang family of barbecuing products was designed for cooking good food. Our line includes a wide range of barbecuing and cooking products. Go to www.mustang-grill.fi or your nearest licensed Mustang retailer to find out more about our selection of products!

We are continually developing the Mustang line and other products it has to offer. Feedback from users plays an important role in our product development for quality assurance. We are always happy to receive any feedback on our products at mustang@mustang-grill.fi.

Please carefully go over the user instructions so you will get the most out of your grill. With careful, regular cleaning and maintenance of your grill, you will prolong its life and safety. The Mustang line of products also offers proper cleaning products and tools for its care.

For more information, go to www.mustang-grill.fi.

DANGER:

If you smell gas:

1. Shut off gas supply to the appliance.
2. Extinguish any open flames, and avoid using any electrical appliance.
3. Open the lid and ventilate the area.
4. Check the gas connections with a soap solution.
5. If the odour still exists, immediately contact your gas supplier or fire department

IMPORTANT:

Hazardous fire or explosion may result if these instructions are ignored.

It is the user's responsibility to ensure that the barbecue is properly assembled, installed, and maintained. Failure to follow the instructions in this manual could result in serious bodily injury and/or property damage.

Any modification or misuse of the appliance and failure to follow the instructions may be dangerous.

WARNING:

The accessible parts may be very hot. Keep young children away.

This appliance must be kept away from flammable materials during use.

Please keep this manual for future reference.

TECHNICAL INFORMATION:

APPLIANCE CODE:KS18784 (324162)
 TOTAL HEAT INPUT
 (ALL GAS CATEGORIES):..... 4.4 kW (314 g/h)
 GAS CATEGORY:I3B/P(30)
 TYPES OF GAS:..... LPG gas mixtures
 GAS PRESSURE:..... 30 mbar
 INJECTOR SIZE:Main burners: 1.07 mm

IMPORTANT:

Read the following instructions carefully and ensure that your barbecue is properly installed, assembled, and maintained. Failure to follow these instructions may result in serious bodily injury and/or property damage.

If you have any questions concerning the assembly or operation of the barbecue, consult your retailer.

Make sure that the barbecue and gas cylinder are on flat, level ground when using the appliance.

Never light the appliance with the lid in the closed position.

The low pressure regulator and gas hose must be of a type approved by the country of use.

If these parts need to be replaced, contact your customer service or retailer.

Using unauthorised parts in the barbecue can cause a dangerous situation and unsafe environment of use.

NOTE FOR CONSUMER: Retain the instructions for future reference.

SAFETY INSTRUCTIONS

Leak test all of the connections according to the instructions after each tank is refilled or the first use after a long period.

Never use an LP gas tank with a damaged body, valve, collar, or footing.

Do not store an LP gas tank under the barbecue when using the appliance.

The use of alcohol or prescription/non-prescription drugs may impair the ability to properly assemble or safely operate the appliance.

Do not store or use gasoline or other flammable liquids or vapours within 25 feet (7.6 m) of this appliance.

Minimum clearance from the sides and back of the unit to combustible construction is 3 feet (1 m). Do not use the appliance under an overhead combustible surface.

Do not use the barbecue unless it is completely assembled and all of the parts are securely fastened and tightened.

The barbecue should be thoroughly cleaned and inspected on a regular basis. Clean and inspect the gas hose before each use of the appliance. If there is evidence of abrasion, wear, cuts, or leaks, the hose must be replaced prior to the appliance being operated.

Only use parts that are authorised by the manufacturer. The use of unauthorised parts is dangerous. This may also void your warranty.

When cooking, fire extinguishing materials should be located nearby. In the event of an oil/grease fire, do not attempt to extinguish it with water. Use a chemical fire extinguisher or smother it with dirt/sand or fire blanket.

Operate the appliance on solid ground only, do not install or use it in/on boats or recreational vehicles.

Do not leave a lit barbecue unattended. Keep children and animals away from the barbecue at all times.

Do not move the appliance during use.

Always open the barbecue lid carefully and slowly as the heat and steam trapped within the barbecue can severely burn you.

Move gas hoses as far away as possible from hot surfaces and dripping hot grease.

Keep all electrical cords away from a hot barbecue.

Turn off the gas supply at the gas cylinder after use.

Never cover the entire cooking area.

Never obstruct the ventilation openings of the container compartment.

Wear protective gloves when handling the hot components.

HOSE AND REGULATOR

These items are not included with the barbecue. Only use hose and regulators approved for LP gas at the above pressures. The estimated life expectancy of the regulator is 10 years. Change the regulator within 10 years of the date of manufacture.

The use of the wrong hose or regulator is unsafe; always check that you have the correct items before operating the barbecue. The hose used must conform to the relevant standard for the country of use. The length of the hose must be 1.2 metres (maximum) and the inner diameter 10 mm. A worn or damaged hose must be replaced. Ensure that the hose is not bent, clogged, or in contact with any part of the barbecue other than at its connection.

Storage of the Barbecue

Storing the appliance indoors is only permissible if the LP gas cylinder is disconnected and removed from the appliance. When the appliance is not to be used for a long period of time, it should be placed in its original packaging and stored in a dry, dust free environment.

LP GAS CYLINDER

The LP gas cylinder should not be dropped or handled roughly! If the barbecue is not in use, the cylinder must be disconnected from the appliance. Place the protective cap on the cylinder after disconnecting the cylinder from the appliance.

The LP cylinder must be stored outdoors in an upright position and out of the reach of children. The cylinder must never be stored in an environment where temperatures can reach over 50°C. Do not store the cylinder near flames, ignition flames, or other sources of ignition.

DO NOT SMOKE NEAR THE LP GAS CYLINDER.

This barbecue is designed for use outdoors, away from any flammable materials. It is important that there are no overhead obstructions and that there is a minimum distance of 1 m from the side or rear of the appliance. It is important that the ventilation openings of the barbecue are not obstructed. The barbecue must be used on a level, stable surface. The appliance should be protected from direct airflow and shall be positioned or protected against direct penetration by any trickling water (e.g. rain).

No modifications should be made to any part of this barbecue and repairs and maintenance should only be carried out by a registered gas service company.

Connecting the LP gas cylinder to the barbecue

Before connection, ensure that there is no debris or dirt caught in the head of the LP gas cylinder, regulator, burner, and burner ports. Spiders and insects can nest within and clog the burner and its inlet. A clogged burner can lead to a fire beneath the barbecue.

Clean burner holes with a heavy-duty pipe cleaner.

Fit the hose to the appliance using a spanner to tighten it onto the connection thread. If the hose is replaced, it must be secured to the barbecue and regulator connections with hose clips. Disconnect the regulator from the cylinder according to the directions when the barbecue is not in use.

The Barbecue must be operated in a well-ventilated area. Do not obstruct the flow of combustion air to the burner when the barbecue is in use. **ONLY USE THIS BARBECUE OUTDOORS.**

BEFORE USE, CHECK FOR LEAKS IN THE HOSE AND/OR CONNECTION THREADS.

Never check for leaks with a naked flame, always use a soapy water solution.

CHECKING FOR LEAKS

Make 2-3 fluid ounces (6-9 dl) of leak detecting solution by mixing one part dishwashing liquid with 3 parts water. Ensure that the control valve is "OFF".

Connect the regulator to the LP gas cylinder and ON/OFF valve to the burner. Ensure that the connections are secure and then turn the gas ON.

Brush the soapy solution onto the hose and all joints. If bubbles appear you have a leak, which must be rectified before use. Retest after fixing the fault.

Turn the gas OFF at the LP gas cylinder after testing.

If leakage is detected and cannot be rectified, consult your gas dealer in order to fix the leak.

LIGHTING YOUR SMOKER

Lighting Instructions

1. Turn the control knob clockwise to the "●" position.
2. Open the hood before use.
3. Connect the pressure regulator to the gas tank. Turn the gas supply to "ON" at the regulator switch. Using soapy water, check for any gas leak between the tank and the regulator.
4. Push down the control knob and turn it anticlockwise to the full-rate position whilst pressing the ignition button until the burner has lit. If the burner does not light, repeat this process three or four times.
5. If the burner has still not lit, wait five minutes and repeat step 4.
6. Adjust the burner to the desired operating temperature.
7. To turn the smoker off: turn the cylinder valve or regulator switch to the "OFF" position. Then turn all control knobs on the appliance clockwise to the "●" position.

Warning: If the burner fails to ignite, turn control knob off (clockwise) and turn the cylinder valve off. Wait five minutes before attempting to relight the burners.

Before cooking for the first time, operate the smoker for about fifteen minutes with the lid closed and the gas turned on HIGH. This will "heat clean" the internal parts and dissipate any odour from the painted finish.

Clean your smoker after each use. DO NOT use abrasive or flammable cleaners, as these will damage the product and may cause fire. Clean with warm soapy water.

WARNING: Accessible parts and surfaces may be very hot. Keep young children away from the hot appliance at all times (even while it is cooling down!). We recommend wearing protective gloves (e.g. oven gloves) when handling, particularly the hot components.

CLEANING AND CARE

CAUTION: All cleaning and maintenance should be carried out when the smoker is cool and with the gas valve turned OFF at the gas cylinder.

A. CLEANING

To keep the smoker in good condition and ensure optimal performance, cleaning and maintenance are required. Do at least the following after each use, as soon as the smoker has cooled.

SURFACES

Use a mild detergent or a solution of baking soda and hot water. Non-abrasive scouring powder can be used on stubborn stains. Then rinse with water. If the inside surface of the smoker lid has the appearance of peeling paint, baked-on grease build-

EN.

up has turned to carbon and is flaking off. Clean thoroughly with a strong solution of hot soapy water. Rinse with water and allow to dry completely. NEVER USE OVEN CLEANER.

INTERIOR OF SMOKER BOTTOM

Remove residue using a brush, scraper and/or cleaning pad. Then wash with soapy water. Rinse with water and allow to dry.

PLASTIC SURFACES

Wash with a soft cloth and hot soapy water. Rinse with water. Do not use abrasive cleaners, degreasers or a concentrated barbecue cleaner on plastic parts.

WOODEN SURFACES

Wooden surfaces should be wiped with a damp cloth. For stubborn marks, wipe with a detergent solution.

COOKING GRID

Use a mild solution of soapy water. Non-abrasive scouring powder can be used on stubborn stains. Then rinse with water.

BURNER ASSEMBLY

Turn the gas OFF at the control knob and disconnect the cylinder. Remove the cooling grate.

Clean the burner with a soft brush or blow it clean with compressed air and wipe with a cloth.

Clean any clogged ports with a pipe cleaner or stiff wire (such as an opened paper clip).

Inspect the burner for any damage (cracks or holes). If damage is found, replace with a new burner.

Reinstall the burner. Check to ensure that the gas valve openings are correctly aligned with the inlet (venture tube) of the burner.

B. CARE AND MAINTENANCE

1. Grid and plate

If the cooking surfaces are:

- finished in chrome: wash with water and soap or with a non-abrasive detergent. Carefully dry before storage.
- finished in porcelain enamel: wash with water and soap or with a non-abrasive detergent. Carefully dry before storage.
- cast iron: wash with water and soap or with a non-abrasive detergent. Carefully dry before storage and lubricate with vegetable oil. We recommend doing this after each use.

2. Before first use

Before you use your appliance for the first time, preheat for fifteen minutes on full power. There may be a smell.

3. Cooking

To avoid excess smoke, remove fatty parts from the food before cooking.

Make sure that grease does not build up on the appliance. In the event of the grease catching fire, do not use water to extinguish it, as this may damage the burners; turn off the gas valve immediately.

To prevent food from sticking, lubricate the cooking surface with vegetable oil.

Turn off the controls and gas valve after use. Make sure the appliance has completely cooled before cleaning, moving or covering it or putting it away.

4. Lighting

Please refer to the ignition instructions printed on the control panel of the appliance. Read those instructions carefully.

Onnittelut Mustang-tuotteen valinnasta! Mustangin grillaustuoteperhe on suunniteltu hyvän ruoan valmistamiseen. Tuoteperheeseen kuuluu kattava valikoima grillaus- ja ruoanlaittotuotteita. Tutustu koko valikoimaan verkossa www.mustang-grill.com tai lähimmällä valtuutetulla Mustang-jälleenmyyjällä.

Kehitämme Mustang-tuoteperhettä ja siihen kuuluvia tuotteita jatkuvasti. Laadun takaamiseksi käyttäjiltä saatu palaute on tuotekehityksessämme erityisen tärkeässä roolissa. Otamme mielellämme vastaan tuotteisiin liittyvää palautetta osoitteeseen mustang@mustang-grill.com.

Tutustu huolella käyttöohjeeseen, jotta saisit laitteesta parhaan hyödyn. Huolehtimalla tuotteen säännöllisestä puhdistuksesta ja huollosta pidennät sen käyttöikä ja turvallisuutta. Mustang-tuotesarjasta löydät myös asianmukaiset puhdistusaineet ja harjat grillin puhdistukseen.

Lisätietoja löydät osoitteesta: mustang-grill.com.

VAARA:

Jos haistat kaasua:

1. Katkaise kaasunsyöttö laitteeseen.
2. Tukahduta mahdollinen avotuli. Älä käytä mitään sähkölaitteita.
3. Avaa kansi ja tuuleta alue.
4. Tarkista kaasuliittimet saippualluoksella.
5. Jos haju ei häviä, ota heti yhteyttä kaasuntoimittajaan tai palokuntaan.

TÄRKEÄÄ:

Ohjeen noudattamatta jättäminen voi johtaa vaaralliseen tulipaloon tai räjähdykseen.

Käyttäjän vastuulla on varmistaa, että savustin kootaan ja asennetaan oikein ja että sitä huolletaan asianmukaisesti. Tämän käyttöohjeen noudattamatta jättämisestä saattaa seurata vakavia henkilö- ja/tai esinevahinkoja.

Laitteeseen tehdyt muutokset sekä sen virheellinen käyttö ja ohjeiden noudattamatta jättäminen voivat johtaa vaaratilanteisiin.

VAROITUS:

Osat voivat olla erittäin kuumia. Pidä pienet lapset etäällä laitteesta.

Laite on pidettävä käytön aikana etäällä herkästi syttyvistä materiaaleista.

Säilytä tämä käyttöohje myöhempää tarvetta varten.

TEKNISET TIEDOT:

LAITTEEN KOODI:.....KS18784 (324162)
 KOKONAISLÄMPÖTEHO
 (KAIKKI KAASULUOKAT):..... 4,4 kW (314 g/h)
 KAASULUOKKA:.....I3B/P(30)
 KAASULAJIT:.....Nestekaasuseokset
 KAASUNPAINE: 30 mbar
 SUUTTIMEN KOKO:..... 1,07mm

TÄRKEÄÄ:

Lue seuraavat ohjeet huolellisesti ja varmista, että savustin kootaan ja asennetaan asianmukaisesti ja että sitä huolletaan oikealla tavalla. Jos ohjeita ei noudateta, seurauksena voi olla vakava loukkaantuminen ja omaisuusvahinkoja.

Jos sinulla on tuotteen kokoamiseen tai käyttöön liittyviä kysymyksiä, ota yhteyttä jälleenmyyjäsi.

Varmista, että savustin ja nestekaasupullo ovat vaakasuoralla alustalla käytön aikana.

Savustinta ei saa koskaan sytyttää kannen ollessa kiinni. Käytä savustimessa vain käyttömaassa hyväksytyjä matalapainesäädintä ja kaasulettoa!

Jos nämä osat on vaihdettava, ota yhteyttä asiakaspalveluun tai jälleenmyyjäsi.

Hyväksymättömien osien käyttäminen savustimessa voi aiheuttaa vaaratilanteen ja vaarallisen käyttöympäristön. HUOMAUTUS KULUTTAJALLE: Säilytä ohjeet tulevaa käyttöä varten.

TURVAOHJEET

Tee kaikille liitoskohdille ohjeiden mukainen vuototesti aina säiliön täyttämisen tai pitkän käyttötaujan jälkeen.

Älä koskaan käytä nestekaasusäiliötä, jos sen seinämät, venttiili, kaulus tai alusta ovat vahingoittuneet.

Älä säilytä nestekaasusäiliötä savustimen alla savustinta käytettäessä.

Alkoholin sekä resepti- ja käsikauppalääkkeiden käyttö voi heikentää käyttäjän kykyä koota laite oikein tai käyttää sitä turvallisesti.

Käytä ja säilytä bensiiniä tai muita herkästi syttyviä nesteitä tai höyryjä vähintään 7,6 metrin etäisyydellä laitteesta.

Tulenarkojen pintojen ja laitteen sivu- ja takaosien väliin on jätettävä tilaa vähintään yksi metri. Älä käytä laitetta tulenarkojen pintojen alla.

Älä käytä savustinta, jos sitä ei ole koottu kokonaan tai jos kaikkia osia ei ole kiinnitetty ja kiristetty tiukasti paikoilleen.

Puhdista ja tarkista savustin säännöllisesti ja kaasuletku ennen jokaista käyttökertaa. Jos letkussa on hankaumia, kulumia, viiltoja tai vuotoja, se on vaihdettava ennen laitteen käyttöä.

Käytä vain valmistajan hyväksymiä osia. Muiden kuin valmistajan hyväksymien osien käyttäminen on vaarallista. Se voi myös mitätöidä takuun.

Säilytä palonsammutusvälineitä lähettyvillä savustuksen aikana. Jos öljy tai rasva syttyy tuleen, älä yritä sammuttaa paloa vedellä. Käytä kemiallista jauhesammutinta tai tukahduta palo hiekalla tai sammutuspeitteellä.

Käytä laitetta vain tukevalla alustalla. Älä käytä sitä veneessä tai kulkuneuvossa.

Älä jätä sytytettyä savustinta ilman valvontaa ja pidä erityisesti lapset sekä eläimet aina etäällä savustimesta.

Älä liikuta laitetta sen ollessa käytössä.

Avaa savustimen kansi aina varovasti ja hitaasti, sillä savustimeen muodostunut kuumuus ja höyry saattavat aiheuttaa vakavan palovamman.

Siirrä kaasuletkut mahdollisimman etäälle kuumista pinnoista ja tippuvasta kuumasta rasvasta.

Pidä kaikki sähköjohdot etäällä kuumasta savustimesta.

Sulje kaasupullon kaasunsyöttö käytön jälkeen.

Älä koskaan peitä säiliöosaston ilmanvaihtoaukkoja.

Käytä aina suojakäsineitä käsitellessäsi kuumia osia.

LETKU JA PAINEENSÄÄDIN

Eivät sisälly toimitukseen. Käytä savustimessa vain nestekaasukäyttöön tarkoitettuja letkuja ja paineensäätimiä, jotka vastaavat edellä mainittua painearvoa. Paineensäätimen käyttöikä on arviolta 10 vuotta. Paineensäädin suositellaan vaihtamaan 10 vuoden sisällä valmistuspäivämäärästä.

Vääräntyyppisen letkun tai paineensäätimen käyttö on vaarallista. Varmista aina ennen käyttöä, että savustimessa on

oikeantyyppinen letku ja paineensäädin. Letkun on oltava paikallisten määrysten mukainen, ja sen pituus saa olla enintään 1,2 metriä ja sisähalkaisija 10 mm. Kulunut tai vaurioitunut letku on vaihdettava uuteen. Varmista, ettei letku ole mutkalla tai tukossa ja että se on kosketuksissa ainoastaan letkun liittimeen eikä muihin pintoihin.

SAVUSTIMEN VARASTOINTI

Savustinta saa säilyttää sisätiloissa vain, jos nestekaasupullo on irrotettu savustimesta ja siirretty pois sen läheisyydestä. Jos grilliä ei käytetä pitkään aikaan, se tulee asettaa pakkaukseensa ja säilyttää kuivassa ja pölyttömässä tilassa.

NESTEKAASUSÄILIÖ

Nestekaasusäiliötä ei saa pudottaa eikä käsitellä kovakouraisesti! Jos savustinta ei käytetä, nestekaasusäiliö on irrotettava savustimesta. Aseta nestekaasusäiliön suojus paikalleen irrottamisen jälkeen. Nestekaasupullo on säilytettävä pystyasennossa ulkotiloissa ja poissa lasten ulottuvilta. Nestekaasupulloa ei saa koskaan varastoida paikkaan, jossa lämpötila voi ylittää +50 °C. Älä varastoi nestekaasupulloa tilaan, jossa on avotulta, sytytysliekkejä tai muita syttymislähteitä. **ÄLÄ TUPAKOI NESTEKAASUPULLON LÄHEISYYDESSÄ.**

Tämä savustin on tarkoitettu ulkokäyttöön. Savustimen lähellä ei saa olla helposti syttyviä materiaaleja. On tärkeää, että savustimen yläpuolella ei ole ilmankulkua tukkivia esineitä. Savustimen takana ja sivuilla on oltava myös vähintään yksi metri tyhjää tilaa. Savustimen tuuletusaukot eivät saa tukkeutua. Savustinta saa käyttää vain tukevalla ja vaakasuoralla alustalla. Savustin täytyy suojata suoralta ilmarirralla ja sijoittaa tai suojata niin, ettei sen päälle pääse satamaan tai valumaan vettä millään tavalla. Savustimen osiin ei saa tehdä minkäänlaisia muutoksia, ja savustimen saa huoltaa tai korjata vain hyväksytyt kaasuasennusliike.

NESTEKAASUPULLON KYTKEMINEN SAVUSTIMEEN

Varmista ennen kytkemistä, ettei nestekaasupullon suun päällä, paineensäätimessä, polttimessa tai polttimen suuttimissa ole likaa tai roskaa. Hämähäkit ja hyönteiset voivat kerääntyä sisälle ja tukkia polttimen ja sen sisuksen. Tukkeutunut poltin voi sytyttää tulipalon savustimen alapuolelle. Puhdista polttimen reiät tehokkaalla putkenpuhdistusaineella. Aseta letku savustimen yhdyskappaleeseen ja kiristä se kiintoavaimella. Jos letku vaihdetaan, se on kiinnitettävä savustimeen ja paineensäätimeen letkunpuristimilla. Jos savustinta ei käytetä, paineensäädin on irrotettava nestekaasupullosta ohjeiden mukaisesti. Savustinta saa käyttää vain hyvin ilmastoidulla paikalla. Älä estä tai rajoita palamisilman kulkua polttimeen savustimen käytön aikana. **SAVUSTINTA SAA KÄYTTÄÄ VAIN ULKOTILOISSA.**

TARKISTA ENNEN KÄYTTÖÄ, ETTEI LETKUSSA TAI LIITOSKOHDISSA OLE VUOTOJA.

Älä koskaan etsi vuotoja avoliekillä tai tulen avulla. Käytä vuotojen paikantamiseen saippuavettä.

VUOTOJEN TARKASTAMINEN

Tee 6–9 desilitraa saippuavettä vuotojen tarkastamiseen sekoittamalla yksi osa astianpesuainetta kolmeen osaan vettä. Varmista, että säätöventtiili on OFF-asennossa.

Yhdistä paineensäädin nestekaasupulloon ja ON/OFF-venttiili polttimeen. Varmista, että liittännät on kiinnitetty kunnolla, ja käännä sen jälkeen kaasu päälle (ON).

Hiero saippuavettä harjalla letkuun ja liitoskohtiin. Jos havaitset kuplia, kyseessä on vuoto, joka on korjattava ennen grillin käyttöä.

Tarkista liittännät ja letku uudelleen vuodon korjaamisen jälkeen.

Käännä kaasu pois päältä (OFF) nestekaasupullosta tarkastamisen päätyttyä.

Jos havaitset vuodon, jota et saa korjattua, ota yhteys kaasuntoimittajaasi korjaustoimia varten.

SAVUSTIMEN SYTYTTÄMINEN

Sytytysohjeet

1. Käännä säätönappi myötöpäivään ● -asentoon.
2. Avaa kansi ennen käyttöä.
3. Yhdistä paineensäädin kaasupulloon. Avaa kaasunsyöttö kääntämällä säädin ON-asentoon. Tarkista saippuaveden avulla, ettei kaasupullon ja säätimen välissä ole vuotoja.
4. Paina säätönappi alas ja käännä sitä vastapäivään ääriasettoon. Paina samalla sytytyspainiketta, kunnes poltin syttyy. Mikäli poltin ei syty, toista tämä vaihe. Jos poltin ei syty, yritä sytytystä kolme tai neljä kertaa uudelleen.
5. Jos poltin ei vielä syty, odota viisi minuuttia ja yritä sitten uudelleen.
6. Säädä poltin haluttuun käyttölämpötilaan.
7. Savustimen sammuttaminen: Käännä kaasupullon venttiili tai paineensäädin OFF-asentoon. Käännä sitten savustimen säätönappi myötöpäivään ● -asentoon.

Varoitus: Jos poltin ei syty, käännä säätönappi pois päältä (myötöpäivään) ja sulje kaasupullon venttiili. Odota sen jälkeen viisi minuuttia, ennen kuin yrität sytyttää polttimia uudelleen. Ennen kuin käytät savustinta ruoanlaittoon ensimmäisen kerran, käytä sitä noin 15 minuutin ajan kansi suljettuna ja säätönupit täysin auki (HIGH). Tämä puhdistaa savustimen sisäiset osat ja haihduttaa kaiken mahdollisen maalinhajun. Puhdista savustin jokaisen käytön jälkeen. **ÄLÄ** käytä hankaavia tai helposti syttyviä puhdistusaineita, sillä ne vahingoittavat savustinta ja voivat aiheuttaa tulipalon. Käytä puhdistukseen lämmintä saippuavettä.

VAROITUS: Savustimen pinnat ja osat voivat olla käytön aikana hyvin kuumia. Älä koskaan päästä lapsia kuumien savustimen lähelle (edes silloin kun se jäähtyy). Suosittelemme suojakäsineiden (esim. patakintaiden) käyttöä, kun käytät savustinta ja etenkin kun kosketat kuumia osia.

PUHDISTUS JA HUOLTO

HUOMIO: savustinta saa puhdistaa ja huoltaa vain silloin, kun se on jäähtynyt ja kaasupullon venttiili on suljettu.

A. PUHDISTUS

Savustimen pysyminen parhaassa mahdollisessa toimintakunnossa edellyttää puhdistusta ja huoltoa. Tee ainakin seuraavat toimet jokaisen käytön jälkeen, kun savustin on jäähtynyt.

PINNAT

Käytä mietoa puhdistusainetta tai ruokasoodan ja kuumien veden sekoitusta. Vaikeisiin tahroihin voi käyttää hankaamattomia pesujauheita. Huuhtelee lopuksi vedellä. Jos savustimen kannen sisäpinnan maali näyttää halkeilevan, pintaan kertynyt rasva on

muuttunut hiileksi ja hilseilee pois. Puhdista pinta huolellisesti kuumalla ja vahvalla saippuavedellä. Huuhtelee lopuksi vedellä ja anna kuivua kokonaan. ÄLÄ KOSKAAN KÄYTÄ UUNINPUHDISTUSAINETTA.

SAVUSTIMEN POHJAN SISÄOSA

Poista lika ja jäämät harjalla, kaapimella ja/tai puhdistussienellä. Pese sitten saippuavedellä. Huuhtelee lopuksi vedellä ja anna kuivua kokonaan.

MUOVIPINNAT

Pese pehmeällä kankaalla ja kuumalla saippuavedellä. Huuhtelee vedellä. Älä käytä muoviosien puhdistamiseen hankaavia pesuaineita, rasvanpoistoaineita tai grillinpesutiivisteitä.

PUUPINNAT

Pyyhi puupinnat kostealla kankaalla. Vaikeisiin tahroihin voi käyttää pesuaineliuosta.

RITILÄ

Käytä mietoa saippuavettä. Vaikeisiin tahroihin voi käyttää hankaamattomia pesujauheita. Huuhtelee lopuksi vedellä.

POLTIN

Katkaise kaasunsyöttö kääntämällä säätönappi OFF-asentoon ja irrota sitten kaasupullo. Irrota myös jäähdytysritilä. Puhdista poltin pehmeällä harjalla tai puhalla se puhtaaksi paineilmalla ja pyyhi se sitten kankaalla. Puhdista kaikki mahdolliset tukkeutuneet kohdat piipunrassilla tai jäykällä metallilangalla (esimerkiksi avatulla paperiliittimellä). Tarkista, ettei polttimessa ole vaurioita (halkeamia tai reikiä). Jos havaitset vaurioita, vaihda poltin uuteen. Kokoa poltin uudelleen. Tarkista, että kaasuventtiilin aukot ovat oikeissa kohdissa ja kohdakkain polttimen sisääntuloaukon (venturiputken) kanssa.

B. HUOLTO JA YLLÄPITO

1. Ritilä ja savustusala

Jos paistopinnat ovat

- kromipäälysteisiä, pese ne lämpimällä saippuavedellä tai hankaamattomalla pesuaineella. Kuivaa huolellisesti ennen varastointia.
- emaloituja, pese ne lämpimällä saippuavedellä tai hankaamattomalla pesuaineella. Kuivaa huolellisesti ennen varastointia.
- valurautaisia, pese ne lämpimällä saippuavedellä tai hankaamattomalla pesuaineella. Kuivaa huolellisesti ja voitele kasviöljyllä ennen varastointia. Voitelu on suositeltavaa jokaisen käytön jälkeen.

2. Ennen ensimmäistä käyttöä

Ennen kuin käytät savustinta ensimmäisen kerran, esilämmitä sitä 15 minuutin ajan täydellä teholla. Ensimmäisestä esilämmityksestä saattaa syntyä hajua.

3. Savustus

Voit välttää liiallisen savun poistamalla ruoasta rasvaiset osat ennen savustusta.

Varmista, ettei laitteen pinnoille kerry rasvaa. Jos savustimessa syttyy rasvapalo, älä yritä sammuttaa sitä vedellä, sillä se saattaa vahingoittaa polttimia – palon sattuessa sulje kaasuventtiili heti.

Voit välttää ruoan tarttumisen savustimeen voitelemalla paistotalustan kasviöljyllä.

Sulje kaikki säätönupit ja kaasuventtiili aina käytön jälkeen. Varmista, että savustin on täysin jäähtynyt, ennen kuin puhdistat, siirät tai peität sen tai siirät sen varastoon.

4. Sytytys

Lue sytytysohjeet savustimen etupaneelista. Tutustu ohjeisiin huolellisesti.

Gratulerar till ditt val av en Mustang-produkt! Mustangs serie med grillprodukter är designad för tillredning av god mat. I produktserien ingår ett omfattande sortiment av grill- och matlagingsprodukter. Bekanta dig med hela sortimentet på webben på adressen www.mustang-grill.com eller hos närmaste auktoriserade Mustang-återförsäljare.

Vi utvecklar ständigt Mustang-produktserien och de produkter som tillhör den. För att garantera kvaliteten har feedbacken från användarna en särskilt viktig roll i vår produktutveckling. Vi tar gärna emot feedback om produkterna på adressen mustang@mustang-grill.com.

Läs noga igenom bruksanvisningen så att du får ut mest nytta av apparaten. När du ser till att regelbundet rengöra och underhålla produkten förlänger du dess livslängd och säkerhet. I Mustang-produktserien hittar du även lämpliga rengöringsmedel och borstar för rengöring av grillen.

Ytterligare information finns på adressen www.mustang-grill.com.

FARA

Om du känner lukten av gas:

1. Stäng av gastillförseln till röken.
2. Släck eventuell öppen eld och använd inga elektriska apparater.
3. Öppna locket och ventiler området.
4. Kontrollera gaskopplingarna med tvållösning.
5. Om det fortfarande luktar gas ska du omedelbart kontakta gasleverantören eller brandkåren.

VIKTIGT:

Om anvisningarna inte följs kan en farlig brand eller explosion uppstå.

Användaren ansvarar för att röken monteras, installeras och underhålls på rätt sätt. Om anvisningarna i den här användarhandboken inte följs kan det resultera i allvarliga personskador och/eller skador på föremål.

Det kan vara farligt att modifiera röken, att använda den på fel sätt och att inte följa anvisningarna.

WARNING!

Delarna kan bli mycket varma. Håll små barn på avstånd. Röken får inte vara i närheten av lättantändliga material när den används.

Spara denna bruksanvisning för framtida referens.

TEKNISK INFORMATION:

PRODUKTKOD:KS18784 (324162)
 TOTAL EFFEKT
 (ALLA GASKATEGORIER):..... 4,4 kW (314 g/h)
 GASKATEGORI:.....I3B/P(30)
 TYPER AV GAS:.....Gasolblandningar
 GASTRYCK: 30 mbar
 INJEKTORSTORLEK: 1,07 mm

VIKTIGT:

Läs följande anvisningar noggrant och se till att röken monteras, installeras och underhålls korrekt. Underlåtenhet att

följa dessa instruktioner kan resultera i allvarlig kroppsskada och skada på föremål.

Om du har frågor om montering eller drift av röken, kontakta din återförsäljare.

Se till att röken och gasolbehållaren placeras på en plan yta vid användning.

Tänd aldrig röken när locket är på.

Använd endast lågtrycksregulator och gasslang som är godkända i användningslandet!

Om det är nödvändigt att byta ut dessa delar, kontakta vår kundtjänst eller din återförsäljare.

Användning av icke-godkända delar i röken kan leda till farliga situationer och en farlig användningsmiljö.

INFORMATION TILL KONSUMENTEN: Spara anvisningarna för framtida referens.

SÄKERHETSANVISNINGAR

Läckagetesta alla kopplingar enligt anvisningarna efter varje påfyllning av behållaren eller när röken ska användas för första gången efter ett långt uppehåll.

Använd aldrig gasolbehållaren om den har skador på hölje, ventil, krage eller underredet.

Förvara aldrig gasolbehållaren under röken när du använder röken.

Användarens förmåga att montera röken korrekt och använda den på ett säkert sätt kan försämrats vid användning av alkohol samt receptfri och receptbelagd medicin.

Använd och förvara bensin eller andra lättantändliga vätskor eller ångor på ett avstånd av minst 7,6 meter från röken.

Avståndet från enhetens sidor och baksida till lättantändliga ytor bör vara minst en meter. Röken får inte användas under lättantändliga ytor.

Använd inte röken om den inte är fullständigt monterad eller om alla komponenter inte är ordentligt fastsatta och åtdragna.

Röken ska rengöras och inspekteras regelbundet. Gasslangen ska rengöras och inspekteras före varje användning. Om det finns tecken på skav, slitage, skador eller läckage på slangen måste den bytas ut innan röken används.

Använd endast av tillverkaren godkända delar. Det är farligt att använda delar som inte är godkända av tillverkaren. Detta kan även göra garantin ogiltig.

Ha alltid brandsläckningsredskap nära till hands när röken används. Brinnande olja eller fett får aldrig släckas med vatten. Använd en kemisk pulversläckare eller kväv elden med sand eller brandfilt.

Röken får endast användas på en stadig yta. Den får inte användas på båtar eller i fordon.

Håll alltid en tänd rök under uppsikt och håll särskilt barn och djur på avstånd från röken.

Flytta inte röken under användning.

Öppna alltid röklocket långsamt och försiktigt eftersom värme och ånga som bildas inne i röken kan orsaka allvarliga brännskador.

Se till att gasslangarna är på största möjliga avstånd från heta ytor och droppande varmt fett.

Håll alla elsladdar på avstånd från den varma röken.

Stäng av gasolflaskans gastillförsel efter användning.

Blockera aldrig ventilationsöppningarna på behållarenheten.

Använd alltid skyddshandskar när du hanterar varma delar.

SLANG OCH TRYCKREGULATOR

Medföljer inte. Använd endast slangar och tryckregulatorer som är godkända för gasol och motsvarar ovanstående tryckvärde.

Den förväntade livslängden för tryckregulatorn är ca 10 år. Det rekommenderas att tryckregulatorn byts ut inom 10 år efter

tillverkningsdatum.

Användning av fel slags slang eller tryckregulator är farligt. Kontrollera alltid att du har rätt typ av slang och tryckregulator innan du använder röken.

Slangen måste uppfylla lokala standarder. Längden på slangen får vara högst 1,2 meter och inre diametern 10 mm. En sliten eller skadad slang måste bytas ut. Se till att slangen inte är blockerad, böjd eller i kontakt med någon del av röken förutom vid dess anslutning.

FÖRVARING AV RÖKEN

Förvaring inomhus är endast tillåten om gasolbehållaren är frånkopplad från röken och förflyttats bort från dess närhet. Om röken inte används under en längre tidsperiod bör den förvaras i sin originalförpackning i ett torrt och dammfritt utrymme.

Gasolbehållare

Gasolbehållaren får inte tappas eller hanteras hårdhänt! Om röken inte används måste gasolbehållaren kopplas bort från röken. Sätt tillbaka skyddet på gasolbehållaren efter frånkoppling från röken.

Gasolflaskan måste förvaras utomhus i ett upprätt läge och oåtkomligt för barn. Gasolflaskan får aldrig förvaras i ett utrymme där temperaturen kan stiga över 50°C. Förvara inte gasolflaskan nära öppen eld, pilotlågor eller andra tändningskällor.

RÖK INTE I NÄRHETEN AV GASOLFLASKAN.

Denna rök är avsedd att användas utomhus långt från alla lättantändliga material. Det är viktigt att det inte finns några föremål ovanför röken som kan blockera luftströmmen. Det bör finnas ett avstånd på minst en meter från sidorna och baksidan av röken. Se också till att ventilationsöppningarna på röken inte är blockerade. Röken får endast användas på ett plant och stabilt underlag. Röken ska skyddas från direkt vind och placeras så att det inte kan regna eller rinna vatten på den på något sätt.

Inga ändringar får utföras på någon del av röken och reparationer och underhåll får endast utföras av ett godkänt gasinstallationsföretag.

Anslutning av gasolbehållaren till röken

Innan anslutning av gasolbehållaren se till att det inte finns smuts eller skräp i behållarens öppning, i tryckregulatorn, i brännaren eller brännaröppningarna. Spindlar och insekter kan bygga bo i och täppa till brännaren och dess insida. En tilltäppt brännare kan leda till en brand under röken. Rengör brännarens hål med en kraftig piprensare.

Montera slangen till rökanslutningen med hjälp av en skiftnyckel och att dra åt ordentligt. Om slangen byts ut måste den fästas till röken och tryckregulatorn med slangklämmor.

Om röken inte används, koppla bort tryckregulatorn från gasolbehållaren enligt instruktionerna.

Röken får endast användas i väl ventilerade områden. Blockera eller hindra inte flödet av förbränningsluft till brännaren när röken används. RÖKEN FÅR ENDAST ANVÄNDAS UTOMHUS.

KONTROLLERA INNAN ANVÄNDNING ATT DET INTE FINNS LÄCKOR PÅ SLANGEN ELLER KOPPLINGAR.

Kontrollera aldrig läckor med en öppen låga eller med hjälp av eld. Använd tvålvatten för att hitta läckor.

KONTROLLERA LÄCKOR

Gör 6-9 deciliter tvålvatten för att kontrollera läckor genom att blanda en del diskmedel med tre delar vatten.

Se till att reglerventilen är ställd i OFF-läget.

Anslut tryckregulatorn till gasolbehållaren och ON/OFF-ventilen till brännaren. Se till att anslutningarna är ordentligt fastsat-

ta och vrid sedan på gasen (ON).

Stryk ut tvålvatten på slangen och kopplingarna med en borste. Om bubblor uppstår har du en läcka som måste åtgärdas före användning av röken.

Testa slangen och kopplingarna igen efter att du har åtgärdat läckan.

Stäng av gasen (OFF) på gasolbehållaren efter kontrollen.

Om en läcka upptäcks som du inte kan åtgärda själv, kontakta din gasolleverantör för reparation.

TÄNDA RÖKEN

Tändningsanvisningar

1. Vrid kontrollvredet medurs till läget "●".
2. Öppna locket före användning.
3. Anslut tryckregulatorn till gasolflaskan. Vrid gastillförseln till "ON" på regulatorn. Kontrollera om det finns gasläckor mellan gasolflaskan och regulatorn med hjälp av tvålvatten.
4. Tryck ner kontrollvredet och vrid det motsols till det höga läget samtidigt som du trycker ner tändningsknappen, tills brännaren har tänts. Om brännaren inte tänds, upprepa denna procedur tre eller fyra gånger.
5. Om brännaren fortfarande inte tänds, vänta i fem minuter och upprepa steg 4.
6. Justera brännaren till önskad driftstemperatur.
7. För att stänga av röken: Vrid gasolflaskans ventil eller tryckregulatorn till läget "OFF". Vrid sedan alla kontrollvreden på apparaten medurs till läget "●".

Varning: Om det inte går att tända brännaren, vrid kontrollvreden till OFF (medurs) och stäng gasolflaskans ventil. Vänta i fem minuter innan du försöker tända brännarna igen.

Innan du tillagar mat för första gången, låt röken vara på i cirka femton minuter med locket stängt och kontrollvreden på maxläget (HIGH). Detta kommer att "värmerengöra" de invändiga delarna och får lukten från de lackade ytorna att försvinna. Rengör röken efter varje användningstillfälle. Använd INTE slipande eller brandfarliga rengöringsmedel eftersom de kan skada produkten och orsaka brand. Rengör med varmt tvålvatten. VARNING: Åtkomliga ytor och delar kan bli mycket varma. Håll alltid små barn på avstånd från apparaten när den är het (även när den svalnar). Vi rekommenderar att du använder skyddshandskar (t.ex. grytvantar) när du hanterar röken, särskilt när du tar på de varma delarna.

RENGÖRING OCH SKÖTSEL

OBSERVERA: allt rengörings- och underhållsarbete bör utföras när röken är sval och gasventilen ställd på OFF vid gasolflaskan.

A. RENGÖRING

För att hålla röken i gott skick och se till att den fungerar så bra som möjligt måste du rengöra och underhålla den. Efter varje användningstillfälle ska du åtminstone göra följande efter att röken har svalnat.

YTOR

Använd ett mildt rengöringsmedel eller en lösning med bakpulver och varmt vatten. Ett skurmedel utan slipverkan kan användas på envisa fläckar. Skölj sedan med vatten. Om det ser ut som att lacken på insidan av rökens lock flagnar, är det i själva verket lager av förkolnat fett som lossnar. Rengör noggrant med en stark lösning av varmt tvålvatten. Skölj med vatten och låt den torka helt. ANVÄND ALDRIG UGNSRENGÖRINGSMEDEL.

INSIDAN AV RÖKENS NEDERDEL

Ta bort rester med en borste, skrapa och/eller skursvamp. Rengör sedan med tvålatten. Skölj med vatten och låt den torka.

PLASTYTOR

Rengör med en mjuk trasa och varmt tvålatten. Skölj med vatten. Använd inte slipande rengöringsmedel, avfettningsmedel eller ett koncentrerat grillrengöringsmedel på plastytor.

TRÄYTOR

Träytor ska torkas av med en fuktiga trasa. För envisa märken, torka med en lösning med rengöringsmedel.

TILLAGNINGSGALLER

Använd en mild tvålattenlösning. Ett skurmedel utan slipverkan kan användas på envisa fläckar. Skölj sedan med vatten.

BRÄNNARENHET

Stoppa gastillförseln genom att vrid kontrollvredet till OFF och koppla från gasolflaskan. Ta bort avsvalningsgallret.

Rengör brännaren med en mjuk borste eller blås ren den med tryckluft och torka med en trasa.

Rengör igensatta öppningar med en piprensare eller en styv metalltråd (t.ex. ett uträtat gem).

Kontrollera om brännaren är skadad (sprickor eller hål). Byt ut brännaren mot en ny om skador påträffas.

Sätt tillbaka brännaren. Kontrollera att gasventilens öppningar är korrekt placerade och sitter rätt på brännarens venturirör.

B. SKÖTSEL OCH UNDERHÅLL

1. Galler and platta

Om tillagningsytorna är:

- kromade: rengör med varmt tvålatten eller med ett rengöringsmedel utan slipverkan. Torka noggrant före förvaring.
- emaljerade: rengör med varmt tvålatten eller med ett rengöringsmedel utan slipverkan. Torka noggrant före förvaring.
- gjorda av gjutjärn: rengör med varmt tvålatten eller med ett rengöringsmedel utan slipverkan. Torka noggrant före förvaring och smörj med vegetabilisk olja. Vi rekommenderar att du gör detta efter varje användningstillfälle.

2. Innan apparaten används för första gången

Innan du använder apparaten för första gången ska du förvärma den i femton minuter på full effekt. En lukt kan förekomma.

3. Tillagning

För att undvika alltför kraftig rökbildning ska du ta bort feta delar före tillagningen.

Se till att fett inte ansamlas på apparaten. Om fett antänds ska du inte använda vatten för att släcka elden eftersom detta kan skada brännarna. Stäng istället av gasventilen omedelbart.

För att förhindra att maten fastnar ska du smörja tillagningsytorna med vegetabilisk olja.

Stäng av kontrollvreden och gasventilen efter användning. Se till att apparaten har svalnat helt innan du rengör, flyttar, täcker över eller ställer undan den.

4. Tändning

Se tändningsanvisningarna som är tryckta på apparatens kontrollpanel. Läs dessa anvisningar noggrant.

Õnnitleme teid Mustangi toote valimise puhul! Mustangi grillimistoodete sari on välja töötatud hea toidu valmistamiseks. Tootesarja kuulub lai valik grillimis- ja toiduvalmistamistarvikuid. Tutvuge kogu valikuga aadressil www.mustang-grill.com või lähima volitatud edasimüüja juures.

Me arendame püsivalt Mustangi tooteid ja nendega seotud tarvikuid. Kvaliteedi tagamiseks on tarbijalt saadud tagasiside meie tootearenduses eriti tähtsal kohal. Ootame teie tagasisidet meie toodete osas aadressil mustang@mustang-grill.com.

Et saaksite seadmest maksimaalselt kasu, tutvuge põhjalikult kasutusjuhendiga. Seadme regulaarse puhastamise ja hooldamisega pikendate selle tööiga ja turvalisust. Tootesarjast Mustang leiate ka grilli puhastamiseks sobivaid puhastusvahendeid ja harju.

Lisainfot leiate aadressil www.mustang-grill.com.

OHT:

Kui tunnete gaasilõhna, siis toimige järgmiselt.

1. Sulgege gaasi juurdrvool seadmesse.
2. Kustutage kõik lahtised leegid ja hoiduge mis tahes elektriliste seadmete kasutamisest.
3. Avage kaas ja tuulutage seda ala.
4. Kontrollige gaasiühendusi seebivee abil.
5. Kui gaasilõhn püsib, siis võtke kohe ühendust gaasifirma või tuletõrjega.

OLULINE:

Nende juhiste eiramine võib põhjustada ohtliku tulekahju või plahvatuse. Kasutaja kohustuseks on kontrollida, et suitsuahi oleks õigesti kokku pandud, paigaldatud ja korralikult hooldatud. Selles kasutusjuhendis toodud juhiste eiramine võib põhjustada raskeid kehavigastusi ja/või varalist kahju. Seadmele mis tahes muudatuste tegemine, selle vale kasutamine või nende juhiste eiramine võib olla ohtlik.

HOIATUS!

Seadme osad võivad minna väga kuumaks. Hoidke lapsed seadmest ohutus kauguses. Seda seadet tuleb kasutamise ajal kergsüttivatest materjalidest eemal hoida.

Hoidke see juhend edaspidiseks tarbeks alles.

TEHNILINE TEAVE

SEADME KOOD:.....KS18784 (324162)
 SUMMAARNE KÜTTEVÕIMSUS
 (KÕIK GAASIKLASSID):..... 4,4 kW (314 g/h)
 GAASI KLASS:.....I3B/P(30)
 GAASI TÜÜBID:.....Vedelgaasi segud
 GAASI RÕHK:..... 30 mbar
 DÜÜSI LÄBIMÕÖT:..... 1,07 mm

OLULINE

Lugege alljärgnevat juhised hoolikalt läbi ja veenduge, et teie suitsuahi on õigesti paigutatud, kokku pandud ja hooldatud. Nende juhiste eiramine võib põhjustada raskeid kehavigastusi ja/või varakahju. Kui koostamise või töötamise suhtes on küsimusi, pidage nõu

oma edasimüüjaga.

Paigutage seade ja balloon kasutamise ajaks horisontaalsele pinnale.

Ärge kunagi süüdake seadet sel ajal, kui kate on suletud asendis.

Kasutage suitsuahjus ainult tootja poolt heakskiidetud madalrõhu reguleerimiseadet ja gaasivoolikut!

Kui neid osasid peab vahetama, võtke ühendust klienditeeniduse või edasimüüjaga.

Mitte heakskiidetud osade kasutamine võib tekitada ohuolukorra ja ohtliku keskkonna.

MÄRKUS KASUTAJALE. Hoidke juhend alles edasiseks kasutuseks.

OHUTUSJUHISED

Tehke lekkek kontroll kõigile ühendustele pärast igat täitmist või esimest kasutuskorda üle pika aja.

Ärge kasutage mitte kunagi gaasiballooni, mille kere, ventiil, kaitsevõru või alus on kahjustatud.

Ärge hoidke varuballooni seadme all suitsuahju kasutamise ajal.

Alkoholi või ravimite tarbimine võib mõjutada kasutaja võimet seadet õigesti kokku panna või seda turvaliselt kasutada.

Ärge hoidke ega kasutage bensiini või muid kergesti süttivaid vedelikke või gaase seadmele lähemal kui 7,6 m.

Minimaalne kaugus seadme külgedel ja taga olevatest tuleohtlikest pindadest: 1 m. Ärge kasutage seadet kergesti süttiva pinna all.

Suitsuahju tohib kasutada ainult siis, kui see on täielikult kokku pandud ning kõik selle osad on oma kohal ja kindlalt kinnitatud.

Suitsuahju tuleb regulaarselt puhastada ja kontrollida; puhastage ja kontrollige voolikut enne seadme igat kasutuskorda. Kui voolik on kas kulunud, vigastatud või esineb lekkeid, siis tuleb voolik enne suitsuahju kasutamist välja vahetada.

Kasutage ainult tootja poolt heakskiidetud osi. Teiste, kui tootja poolt heakskiidetud osade, kasutamine on ohtlik. See võib ka seadme garantii kehtetuks muuta.

Suitsutamise ajal peavad tulekustutusvahendid käepärast olema. Ärge püüdke põlevat õli või rasva veega kustutada.

Kasutage keemilist pulberkustutit või lammatage tuli liiva või kustutustekiga.

Kasutage seadet ainult stabiilsel pinnal; ärge kasutage seda paadis ega sõidukis (nt haagiselamus).

Ärge jätke põlevat suitsuahju järelevalveta ning hoidke kindlasti lapsed ja loomad sellest alati eemal.

Ärge liigutage suitsuahju kasutamise ajal.

Tõstke suitsutuskaant alati ettevaatlikult ja aeglaselt, sest selle alla kogunenud kuumus ja aur võivad raskeid põletusi tekitada. Paigutage gaasivoolikud nii, et need jääksid kuumadest pindadest ja tilkuvast kuumast rasvast võimalikult kaugemale.

Hoidke kõik elektrijuhtmed kuumast suitsuahjust eemal.

Kui olete suitsuahju kasutamise lõpetanud, siis sulgege gaasi juurdevool.

Ärge mitte kunagi toppige kinni balloonia õhuavasid.

Kuumade osade käsitlemisel tuleb kanda kaitsekindaid.

VOOLIK JA RÕHUREGULAATOR

Ei kuulu komplekti. Kasutage ainult vedelgaasi kasutamiseks mõeldud voolikut ja rõhuregulaatorit, mis vastavad eelpool mainitud rõhuväärtusele. Rõhuregulaatori eeldatav tööiga on 10 aastat. Soovitav on regulaator tootmise kuupäevast arvestades 10 aasta pärast vahetada.

Vale tüüpi rõhuregulaatori või vooliku kasutamine on ebaturvaline. Kontrollige alati enne suitsuahju kasutamist üle, et teil on

õiget tüüpi voolik ja rõhuregulaator.

Kasutatav voolik peab vastama kasutuskoha asukohariigi asjassepuutuva standardile. Voolik tohib olla pikkusega maksimaalselt 1,2 meetrit ja sisemine läbimõõt 10 mm. Kulunud või vigastatud voolik tuleb asendada. Veenduge, et voolik ei oleks ummistunud, keerdsu ega puutu ühegi suitsuahju osa/pinna vastu, välja arvatud vooliku ühenduskoht.

SEADME HOIUSTAMINE

Seadet tohib hoida ruumis vaid siis, kui gaasiballoon on lahti ühendatud ja seadmelt eemaldatud. Kui seadet pikka aega ei kasutata, tuleb seda hoida originaalpakendis ja hoiustada kuivas ja tolmuvas kohas.

GAASIBALLOON

Gaasiballooni ei tohi lasta maha kukkuda ega hooletult käsitse- da! Kui seade ei ole kasutuses, tuleb gaasiballoon lahti ühenda- da. Pärast gaasiballooni lahtiühendamist seadmelt pange kaitse balloonile tagasi.

Gaasiballoone tuleb hoida õues, püstasendis ja lastele kättesaa- matus kohas. Gaasiballooni ei tohi hoida kohas, kus tempera- tuur võib ületada +50 °C. Ärge hoidke gaasiballooni lahtise leegi, gaasisüütaja ja muude süüteallikate lähedal.

ÄRGE SUITSETAGE VEDELGAASIBALLOONI LÄHEDAL.

Suitsuahi on ette nähtud kasutamiseks õues, eemal kõikidest kergsüttivatest materjalidest. Tähtis on jälgida, et kasutuskohal ei ole õhu liikumist takistavaid esemeid ja suitsuahju külgedel ja taga on vähemalt 1 m vaba ruumi. Veenduge, et seadme tuulutusavad ei oleks ummistunud. Suitsuahju tohib kasutada ainult horisontaalsel, stabiilsel pinnal. Seadet tuleb kaitsta ot- sese tuuletõmbe eest ja see tuleb paigutada kohta, kus see on kaitstud igasuguse pealelangeva vee (nt vihm) eest. Suitsuahju mis tahes osade konstruktsiooni ei tohi muuta. Suitsuahju võib hooldada ja parandada ainult gaasifirma ohtus- spetsialist.

GAASIBALLOONI ÜHENDAMINE SUITSUAHJUGA

Enne ühendamist veenduge, et gaasiballoonile, rõhuregu- laatorile, põletile ja põleti düüsidele ei ole kogunenud prahti. Ämblikud ja putukad võivad teha pesa põleti lähedale või sisse. Ummistunud põleti võib põhjustada tulekahju seadme all. Puhastage põleti avad tugevatoimelise torupuhastiga. Ühendage voolik seadme külge mutrivõtit kasutades, et pingu- tada mutter ühenduskeermele. Kui voolik on vahetatud, tuleb see kinnitada suitsuahjule ja rõhuregulaatorile voolikuklamb- ritega. Kui suitsuahi ei ole kasutusel, ühendage rõhuregulaator gaasiballoonilt vastavalt juhistele lahti. Suitsuahju tohib kasutada hästi ventileeritud kohas. Sel ajal, kui suitsuahju kasutate, ärge takistage põlemisõhu juurdepääsu. KASUTAGE SUITSUAHJU AINULT ÕUES.

ENNE KASUTAMIST KONTROLLIGE, ET VOOLIK EGA LÜHENDUS- KOHAD EI LEKIKS.

Ärge otsige lekkekohti lahtise leegi abil, vaid kasutage selleks seebivett.

LEKETE KONTROLLIMINE

Valmistage 6–9 detsiliitrit lekke tuvastamise lahust, segades ühe osa vedelat pesuvahendit kolme osa veega. Veenduge, et reguleerimisventiil on asendis OFF (väljas). Ühendage rõhuregulaator gaasiballoonile ja ON/OFF-ventiil põletile. Veenduge, et ühendused on korralikult kinnitatud ja keerake gaas peale (ON). Kandke seebilahus pintsliga voolikule ja kõikidele ühendustele.

Kui ilmuvad mullid, siis on seadmelt leke, mis tuleb enne kasuta- mist kõrvaldada.

Pärast rikke kõrvaldamist tehke test uuesti.

Pärast testimist keerake gaas kinni (OFF).

Kui olete tuvastanud lekke, mida ei saa parandada, ärge püüdke lekete ise sulgeda vaid pöörduge oma gaasimüüja poole.

SUITSUAHJU SÜÜTAMINE

Süütamisjuhised

1. Keerake juhtnupp päripäeva asendisse "●".
2. Enne kasutamist avage kaas.
3. Ühendage rõhuregulaator gaasiballooniga. Avage gaasi juurdevool, keerates regulaatori sisselülitatud asendisse "ON". Kontrollige seebilahuse abil võimalike lekete olemasolu gaa- siballooni ja regulaatori vahel.
4. Vajutage reguleerimisnupp alla ja keerake seda lõpuni vastupäeva, vajutades samaaegselt süütenuppu, kuni põleti on süttinud. Kui põleti ei sütti, korrake seda sammu kolm või neli korda.
5. Kui põleti ikka ei sütti, oodake 5 minutit ja korrake sammu 4.
6. Reguleerige põleti nii, et see vastab soovitud temperatuurile.
7. Suitsuahju väljalülitamiseks keerake gaasiballooni kraan või rõhuregulaator väljalülitatud asendisse "OFF". Seejärel keerake seadme kõik juhtnupud päripäeva asendisse "●".

Hoiatus: Kui põleti ei sütti, keerake kõik juhtnupud väljalülitatud asendisse (päripäeva) ja sulgege gaasiballooni kraan. Oodake 5 minutit, enne kui püüate põleteid uuesti süüdata.

Enne esmakordset suitsutamist laske suitsuahjul umbes 15 mi- nutit suletud kaane all maksimaalselt avatud (HIGH) juhtnupu- ga kuumeneda. Kuumus puhastab ahju sisepinnad ja eemaldab võimaliku värvilõhna.

Puhastage suitsuahju pärast iga kasutuskorda. ÄRGE kasutage abrasiivseid või tuleohtlikke puhastusvahendeid, sest need võivad toodet kahjustada või põhjustada tulekahju. Peske ahju sooja seebiveega.

HOIATUS: Ahju juurdepääsetavad pinnad ja osad lähevad väga kuumaks. Hoidke lapsed alati (ka ahju jahtumise ajal!) ahjust eemal. Soovitame kuumade osade käsitsemisel kaitsekinnaste (nt ahjukinnaste) kandmist.

PUHASTAMINE JA HOOLDUS

HOIATUS: Suitsuahju tohib puhastada ja hooldada ainult siis, kui see on täielikult maha jahtunud ja gaasiballooni kraan suletud asendis OFF.

A. PUHASTAMINE

Suitsuahju heas korras hoidmiseks ja parima töö tagamiseks tu- leb seda puhastada ja hooldada. Pärast iga kasutuskorda tuleb pärast ahju maha jahtumist teha vähemalt järgmist.

PINNAD

Kasutage õrnatoimelist puhastusvahendit või söögisoodat ja kuuma vett. Tugevate plekkide eemaldamiseks võib kasutada mitteabrasiivset küürimispulbrit. Pärast puhastamist loputage veega. Kui tundub nagu hakkaks kaane sisepinnalt värv maha kooruma, on see kõrbenud rasv, mis on söestunud ja koorub maha. Puhastage põhjalikult kuuma vee ja seebi kange lahuse- ga. Loputage veega ja laske täielikult kuivada. ÄRGE KASUTAGE AHJUPUHASTUSVAHENDIT.

SUITSUAHJU ALUSE SISEKÜLJED

Eemaldage põlemisjägid harja, kaabitsa ja/või puhastussvammiga. Seejärel peske seebiveega, loputage veega ja laske kuivada.

PLASTIKPINNAD

Peske pehme lapi ja kuuma seebiveega. Loputage veega. Ärge kasutage plastikosade pindadel abrasiivseid puhastusvahendeid, rasvaeemaldeid või kontsentreeritud grillipuhastusvahendeid.

PUITPINNAD

Puitpinnad tuleb puhtaks pühkida niiske lapiga. Tugevad plekid pühkige ära puhastusvahendi lahuse abil.

KÜPSETUSREST

Kasutage seebivee nõrka lahust. Tugevate plekkide eemaldamiseks võib kasutada mitteabrasiivset küürimispulbrit. Seejärel loputage veega.

PÕLETIOSA

Gaasi kinnikeeramiseks pöörake juhtnupp väljalülitatud asendisse OFF ja ühendage balloon lahti. Eemaldage jahutusvõre. Puhastage põleti pehme harja ja suruõhuga ning pühkige üle lapiga.

Eemaldage kõik ummistused piibupuhastaja või jäiga traadiga (näiteks avatud kirjaklambriga).

Veenduge, et põletil pole vigastusi (pragusid või auke). Vigastuste korral tuleb põleti uue vastu välja vahetada.

Paigaldage põleti tagasi oma kohale. Veenduge, et gaasikraani avad on kohakuti põleti sisselaskevaga.

B. HOOLDAMINE

1. Rest ja plaat

Kui küpsetuspinnad on:

- kroomitud: peske vee ja seebi või mitteabrasiivse puhastusvahendiga. Kuivatage hoolikalt enne hoiule panekut;
- kaetud portselanemailiga: peske vee ja seebi või mitteabrasiivse puhastusvahendiga. Kuivatage hoolikalt enne hoiule panekut;
- malmist: peske vee ja seebi või mitteabrasiivse puhastusvahendiga. Kuivatage hoolikalt enne hoiule panekut ja määrige taimeõliga. Soovitame seda teha pärast iga kasutuskorda.

2. Enne esmakasutamist

Enne ahju esimest korda kasutamist kuumutage seda 15 minutit täisvõimsusel. Võib eritada lõhna.

3. Küpsetamine

Liigse suitsu vältimiseks eemaldage enne küpsetamist toidust kõik rasvased osad.

Veenduge, et ahju pindadele ei kogune rasva. Rasva süttimisel ärge kasutage selle kustutamiseks vett, sest see võib kahjustada põleteid. Sulgege gaasikraan kohe.

Toiduainete nakkumise vältimiseks määrige küpsetuspindu taimeõliga.

Pärast kasutamist keerake nii juhtnupud kui gaasikraan suletud asendisse (OFF). Enne ahju puhastamist, teisaldamist, katmist või hoiule panekut veenduge, et see on täielikult maha jahtunud.

4. Süütamine

Enne süütamist lugege ahju juhtpaneelil toodud juhised hoolikalt läbi.

Apsveicam ar Mustang izstrādājuma izvēli! Mustang grilēšanas aprīkojuma līnija ir izstrādāta kvalitatīva ēdiena gatavošanai. Tajā ietilpst plašs grilēšanas un ēdiena gatavošanas iekārtu un piederumu klāsts. Sīkāku informāciju par mūsu ražojumu sortimentu meklējiet www.mustang-grill.com vai jautājiet tuvākajam licencētajam Mustang mazumtirgotājam!

Mēs nepārtraukti pilnveidojam Mustang līnijas izstrādājumus un citas piedāvājumā esošās preces. Lietotāju atsauksmēm ir svarīga loma ražojumu pilnveidē un kvalitātes nodrošināšanā. Mēs vienmēr priecājamies saņemt atsauksmes par mūsu ražojumiem – rakstiet uz e-pasta adresi mustang@mustang-grill.com.

Lūdzam uzmanīgi izlasīt lietošanas instrukciju, lai varētu izmantot visas grila priekšrocības. Rūpīga un regulāra tīrīšana un apkope pagarinās grila lietošanas ilgumu un uzlabos drošību. Mustang izstrādājumu līnijā atradīsiet arī piemērotus grila tīrīšanas un kopšanas līdzekļus un piederumus.

Plašāka informācija pieejama www.mustang-grill.com.

BĪSTAMI!

Ja sajūtat gāzes smaku:

1. Pārtrauciet gāzes padevi ierīcei.
2. Nodzēsiet atklātas liesmas un nelietojiet elektroierīces.
3. Atveriet kūpinātavas vāku un nodrošiniet apkārtnē gaisa apmaiņu.
4. Pārbaudiet gāzes savienojumu hermētiskumu ar ziepjūdeni.
5. Ja joprojām ir jūtama gāzes smaka, nekavējoties sazinieties ar gāzes piegādātāju vai ugunsdzēsības dienestu.

NB!

Šo norādījumu neievērošanas gadījumā var izcelties bīstams ugunsgrēks vai notikt sprādziens.

Lietotājs ir atbildīgs par kūpinātavas pareizu montāžu uzstādīšanu un apkopi. Šajā instrukcijā minēto norādījumu neievērošana var novest pie smagām traumām un/vai īpašuma bojājumiem.

Jebkāda ierīces pārveidošana vai nepareiza lietošana un norādījumu neievērošana var būt bīstama.

BRĪDINĀJUMS!

Ierīces virsmas var spēcīgi sakarst. Neļaujiet maziem bērniem atrasties ierīces tuvumā.

Raugieties, lai lietošanas laikā ierīces tuvumā neatrastos uzliesmojoši materiāli.

Saglabājiet šo instrukciju turpmākai atsaucei.

TEHNILINE TEAVE

IERĪCES KODS:KS18784 (324162)
 KOPĒJĀ SILTUMA IEVADE
 (VISAS GĀZES KATEGORIJAS): 4,4kW (314 g/h)
 IERĪCES KLASE:I3B/P(30)
 GĀZES VEIDI:Šķidrie gāzu maisījumi
 GĀZES SPIEDIENS: 30 mbar
 SPRAUSLAS LIELUMS: 1,07 mm

NB!

Uzmanīgi izlasiet turpmāk minētos norādījumus un nodrošiniet pareizu kūpinātavas montāžu un uzstādīšanu un pienācīgu

apkopi. Norādījumu neievērošana var novest pie smagām traumām un/vai īpašuma bojājumiem.

Ja rodas ar kūpinātavas montāžu vai lietošanu saistīti jautājumi, konsultējieties ar mazumtirgotāju.

Lietojot ierīci, raugieties, lai kūpinātava un gāzes balons atrastos uz gludas, līdzenas virsmas.

Neaizdedziniet kūpinātavu, ja vāks ir aizvērts.

Zema spiediena regulatora un gāzes šļūtenes tipam jābūt apstiprinātam izmantošanas valstī.

Ja šīs detaļas ir jānomaina, sazinieties ar klientu servisu vai mazumtirgotāju.

Neapstiprinātu kūpinātavas detaļu izmantošana var radīt bīstamu situāciju un nedrošus lietošanas apstākļus.

PATĒRĒTĀJU IEVĒRĪBA! Saglabājiet instrukciju turpmākai atsaucei.

DROŠĪBAS NORĀDĪJUMI

Pēc gāzes balonu atkārtotas uzpildes un pēc ilgāka lietošanas pārtraukuma vienmēr veiciet visu savienojumu noplūdes pārbaudi saskaņā ar instrukciju.

Nelietojiet sašķidrinātās gāzes balonu, ja ir bojāts tā korpuss, ventilis, ventiļa aizsargs vai pamatne.

Ierīces lietošanas laikā neturiet zem kūpinātavas sašķidrinātās gāzes balonus.

Alkohola vai recepšu/bezrecepšu medikamentu lietošana var negatīvi ietekmēt spēju pareizi samontēt un droši lietot ierīci. Neglabājiet un nelietojiet benzīnu un citus uzliesmojošus šķidrums un gāzes 7,6 metru attālumā no šīs ierīces. Minimālais drošības attālums no ierīces līdz degtspējīgām konstrukcijām sānos un aizmugurē ir 1 metrs. Nelietojiet ierīci zem degtspējīgām virs kūpinātavas esošām virsmām.

Nelietojiet kūpinātavu, iekams tā nav pilnīgi samontēta un visas detaļas droši nostiprinātas un pievilktas.

Regulāri kārtīgi notīriet un pārbaudiet kūpinātavu. Pirms ierīces lietošanas katru reizi notīriet un pārbaudiet gāzes šļūteni. Ja pamanāt nobrāzumus, nodilumu, plaisas vai sūci, šļūtene pirms ierīces lietošanas jānomaina.

Izmantojiet tikai ražotāja apstiprinātas detaļas. Neapstiprinātu detaļu izmantošana ir bīstama. Tas turklāt var anulēt ierīces garantiju.

Ēdiena gatavošanas laikā tuvumā jābūt ugunsdzēsības līdzekļiem. Ja aizdegas eļļa/tauki, nemēģiniet dzēst liesmas ar ūdeni. Izmantojiet ķīmisku ugunsdzēsības līdzekli vai noslēpējiet liesmas ar zemi/smiltīm vai ugunsdzēsības segu.

Lietojiet ierīci tikai uz stabilām virsmām, neuzstādiet un nelietojiet kūpinātavu laivās vai atpūtas transportlīdzekļos.

Neatstājiet ieslēgtu kūpinātavu bez uzraudzības. Neļaujiet bērniem un dzīvniekiem atrasties kūpinātavas tuvumā.

Lietošanas laikā nepārvietojiet ierīci.

Kūpinātavas vāku vienmēr atveriet uzmanīgi un lēni, jo no kūpinātavas var izplūst karsts gaiss un tvaiki, kas var radīt smagus apdegumus.

Gāzes šļūtenes novietojiet pēc iespējas tālāk no karstām virsmām un pilošiem karstiem taukiem.

Raugieties, lai karstas kūpinātavas tuvumā nebūtu elektrisko vadu.

Pēc lietošanas aizveriet gāzes balona ventilu.

Nenosprostojiet kūpinātavas korpusā esošās ventilācijas atveres.

Pieskaroties karstajām virsmām, valkājiet aizsargcimdus.

ŠĻŪTENE UN SPIEDIENA REGULATORS

Šīs detaļas nav iekļautas kūpinātavas piegādes komplektā.

Izmantojiet tikai šļūtenes un regulatorus, kas paredzēti sašķid-

rinātai naftas gāzei ar iepriekš minēto spiedienu. Aprēķinātais regulatora ekspluatācijas ilgums ir 10 gadi. Nomainiet regulatoru vēlākais 10 gadus no izgatavošanas dienas.

Neatbilstošas šļūtenes un regulatora lietošana ir nedroša, tāpēc pirms kūpinātavas lietošanas vienmēr pārbaudiet, vai šļūtene un regulators ir piemēroti jūsu ierīcei.

Šļūtenei ir jāatbilst attiecīgajam izmantošanas valsts standartam. Šļūtenei jābūt (maksimāli) 1,2 metrus garai un ar 10 mm iekšējo diametru. Nodilusi vai bojāta šļūtene jānomaina. Raugieties, lai šļūtene nebūtu sagriezusi un aizsērējusi un nesaskartos ar citām kūpinātavas daļām, izņemot savienojuma vietu.

KŪPINĀTAVAS UZGLABĀŠANA

Ierīci var uzglabāt iekšējās vienīģi tad, ja sašķidrinātās gāzes balons ir atvienots un noņemts no ierīces. Ja ierīci ilgāku laiku neizmanto, tā jāieliek oriģinālajā iepakojumā un jāglabā sausā vietā, kur nav putekļu.

SAŠĶIDRINĀTĀS GĀZES BALONS

Sašķidrinātās gāzes balonu nedrīkst mest zemē un ar to jāapietas uzmanīgi! Ja kūpinātavu nelieto, balons no ierīces jāatvieno. Pēc balona atvienošanas no ierīces uzlieciet ventiļa aizsargvāciņu.

Sašķidrinātās gāzes balons jāglabā ārpus telpām vertikālā stāvoklī un bērniem nepieejamā vietā. Balonu nedrīkst glabāt vietās, kur temperatūra var pārsniegt 50°C. Neturiet balonu liesmu, aizdedzes liesmu un citu aizdegšanās avotu tuvumā. SAŠĶIDRINĀTĀS GĀZES BALONA TUVUMĀ NESMĒĶĒJIET.

Šī kūpinātava ir paredzēta lietošanai ārpus telpām, tās tuvumā nedrīkst atrasties uzliesmojoši materiāli. Svarīgi, lai virs kūpinātavas neatrastos nekādi šķēršļi, un jāievēro minimālais drošības attālums no ierīces, kas sānos un aiz mugurē ir 1 metrs. Jāraugās, lai netiktu nosprostotas kūpinātavas ventilācijas atveres. Kūpinātava jānovieto uz līdzenas, stabilas virsmas. Ierīce jāaizsargā no tiešas gaisa plūsmas un jānovieto vai jāaizsargā tā, lai tajā tieši nevarētu iekļūt pilošs ūdens (piemēram, lietus).

Nevienam šīs kūpinātavas detaļai nav atļauts pārveidot, remontu un apkopi drīkst veikt vienīgi reģistrēti gāzes servisa uzņēmumi. Sašķidrinātās gāzes balona pievienošana kūpinātavai Pirms pievienošanas pārbaudiet, vai sašķidrinātās gāzes balona ventili, regulatorā, deglī un degļa atverēs nav iekērušies gruži un netīrumi. Deglī un gāzes ieplūdes kanālā var ieperināties zirnekļi un citi kukaiņi, aizsprostojot atveres. Aizsērējis deglis var izraisīt ugunsgrēku zem kūpinātavas.

Iztīriet degļa atveres ar speciālu cauruļu tīrīšanas suku. Pievienojiet ierīcei gāzes šļūteni, savienojuma nostiprināšanai izmantojot uzgriežņu atslēgu. Šļūtenes nomainīšanas gadījumā tās savienojumi ar kūpinātavu un regulatoru jānostiprina ar šļūteņu skavām. Ja kūpinātavu neizmantojat, atvienojiet regulatoru no balona saskaņā ar instrukciju.

Kūpinātava jāuzstāda labi ventilētā vietā. Kūpinātavas lietošanas laikā netraucējiet degšanai vajadzīgā gaisa pieplūdi deglim. LIETOJIET ŠO KŪPINĀTAVU TIKAI ĀRA APSTĀKĻOS.

PIRMS LIETOŠANAS VEICIET ŠĻŪTENES UN SAVIENOJUMU GĀZES NOPLŪDES PĀRBAUDI.

Neveiciet noplūdes pārbaudi ar atklātu liesmu, vienmēr izmantojiet ziepjūdeni.

NOPLŪDES PĀRBAUDE

Sagatavojiet 6–9 dl šķiduma noplūdes konstatēšanai, sajaucot vienu daļu trauku mazgāšanas līdzekļa ar trīs daļām ūdens.

Pārliedzieties, ka regulētārvārsts ir stāvoklī OFF.

Savienojiet regulatoru ar sašķidrinātās gāzes balonu un ON/OFF (ieslēgšanas/izslēgšanas) vārstu ar degli. Pārliedzieties, ka savienojumi ir droši, un ATVERIET gāzes balona ventili.

Apstrādājiet šļūteni un visus savienojumus ar ziepjūdeni. Burbuļu parādīšanās liecina par gāzes noplūdi, kas pirms kūpinātavas lietošanas jānovērš.

Pēc noplūdes likvidēšanas atkārtojiet pārbaudi.

Pēc pārbaudes AIZVERIET sašķidrinātās gāzes balona ventili.

Ja konstatējat noplūdi, bet nespējat to novērst, konsultējieties par noplūdes likvidēšanu ar gāzes piegādātāju.

KŪPINĀTAVAS AIZDEDZINĀŠANA

Aizdedzināšanas instrukcija

1. Pagrieziet degļa regulēšanas kloķi pulksteņrādītāja virzienā stāvoklī „●”.
2. Pirms lietošanas atveriet kūpinātavas vāku.
3. Pievienojiet spiediena regulatoru gāzes balonam. Pagrieziet regulatora gāzes padeves slēdzi stāvoklī „ON”. Ar ziepjūdeni pārbaudiet, vai gāzes balona un regulatora savienojuma vietā nav gāzes noplūdes.
4. Piespiediet degļa regulēšanas kloķi un, turot to piespiestu, pagrieziet pretēji pulksteņrādītāja virzienam maksimālas liesmas stāvoklī, līdz deglis aizdegas. Ja deglis neaizdegas, atkārtojiet šo procedūru trīs vai četras reizes.
5. Ja deglis joprojām neaizdegas, pagaidiet piecas minūtes un atkārtojiet 4. soli.
6. Noregulējiet degli, lai nodrošinātu vēlamo temperatūru.
7. Lai izslēgtu kūpinātavu, vispirms pagrieziet gāzes balona ventili vai regulatora slēdzi stāvoklī „OFF”. Tad pagrieziet visus degļu regulēšanas kloķus pulksteņrādītāja virzienā stāvoklī „●”.

Brīdinājums! Ja deglis neaizdegas, pagrieziet visus degļu regulēšanas kloķus (pulksteņrādītāja virzienā) stāvoklī „OFF” un pagrieziet gāzes balona ventili stāvoklī „OFF”. Pagaidiet piecas minūtes, pirms atkārtoti mēģināt aizdedzināt degļus.

Pirms pirmās ēdiena gatavošanas reizes aptuveni 15 minūtes darbiniet kūpinātavu ar aizvērtu vāku tukšgaitā, pagriežot gāzes kloķi stāvoklī „HIGH”. Šī „karstā tīrīšana” notīrīs iekšējās detaļas un likvidēs krāsas smaku.

Pēc katras lietošanas reizes notīriet kūpinātavu. NEIZMANTOJIET abrazīvus un uzliesmojošus tīrīšanas līdzekļus, jo tie bojā ierīci un var izraisīt ugunsgrēku. Tīriet kūpinātavu ar siltu ziepjūdeni. BRĪDINĀJUMS! Ierīces detaļas un virsmas var spēcīgi sakarst. Neļaujiet maziem bērniem atrasties karstas ierīces tuvumā (arī laikā, kad ierīce atdziest!). Rikojoties ar ierīci, jo īpaši pieskaroties karstajām virsmām, ir ieteicams valkāt aizsargcimdus (piemēram, plīts cimdus)

TĪRĪŠANA UN KOPŠANA

UZMANĪBU! Tīrīšanas un uzturēšanas laikā kūpinātavai jābūt atdzisušai un gāzes balona gāzes padeves ventilim jābūt stāvoklī „OFF”.

A. TĪRĪŠANA

Lai uzturētu kūpinātavu labā stāvoklī un nodrošinātu tās optimālu darbību, ir jāveic kūpinātavas tīrīšana un uzturēšana. Pēc katras lietošanas reizes, tiklīdz kūpinātava ir atdzisusi, veiciet vismaz turpmāk minētās darbības.

VIRSMAS

Izmantojiet maigu mazgāšanas līdzekli vai dzeramās sodas un karsta ūdens šķidrumu. Iestāvējušos netīrumus varat tīrīt ar ne-

abrazīvu tīrīšanas pulveri. Tad noskalojiet ar ūdeni. Ja izskatās, ka no kūpinātavas vāka iekšējās virsmas lobās nost krāsa, tas nozīmē, ka pielipušie tauki ir pārņēmuši un sāk atdalīties. Kārtīgi notīriet vāku ar koncentrētu karstu ziepjūdeni. Noskalojiet ar ūdeni un ļaujiet pilnīgi nožūt. **NETĪRIET AR CEPEŠKRĀSNS TĪRĪŠANAS LĪDZEKĻIEM.**

KŪPINĀTAVAS DIBENA IEKŠPUSE

Vispirms ar suku, skrāpi un/vai tīrīšanas sūkli notīriet nosēdumus. Tad nomazgājiet dibena iekšpusi ar ziepjūdeni. Noskalojiet ar ūdeni un ļaujiet nožūt.

PLASTMASAS VIRSMAS

Nomazgājiet ar mīkstu drānu un karstu ziepjūdeni. Noskalojiet ar ūdeni. Netīriet plastmasas detaļas ar abrazīviem tīrīšanas līdzekļiem, attaukotājiem un koncentrētiem grila tīrīšanas līdzekļiem.

KOKA VIRSMAS

Noslaukiet koka virsmas ar mitru drānu. Iestāvējušos netīrumus notīriet ar mazgāšanas līdzekļa šķīdumu.

CEPŠANAS REŽĢIS

Notīriet ar maigu ziepju šķīdumu. Iestāvējušos netīrumus varat tīrīt ar neabrazīvu tīrīšanas pulveri. Tad noskalojiet ar ūdeni.

DEĢĻU KOMPLEKTS

Pagrieziet degļa regulēšanas kloķi stāvoklī „OFF” un atvienojiet balonu. Noņemiet liesmas sadalītāju.

Notīriet degli ar mīkstu suku vai saspiestu gaisu un noslaukiet ar drānu.

Aizsērējušas atveres iztīriet ar cauruļu tīrīšanas suku vai cietu stiepli (piemēram, iztaisnotu papīra saspaužu).

Pārbaudiet, vai deglis nav bojāts (vai tajā nav plaisas vai caurumi). Ja konstatējat bojājumus, nomainiet degli.

Uzlieciet degli atpakaļ. Pārbaudiet, vai gāzes ventiļa atveres ir pareizi salāgotas ar degļa ieplūdes cauruli (Venturi cauruli).

B. KOPŠANA UN UZTURĒŠANA

1. Cepšanas režģis un plātne

Ja cepšanas virsmas ir:

- hromētas, nomazgājiet ar ūdeni un ziepēm vai neabrazīvu mazgāšanas līdzekli. Pirms uzglabāšanas rūpīgi nosusiniet;
- pārklātas ar porcelāna emalju, nomazgājiet ar ūdeni un ziepēm vai neabrazīvu mazgāšanas līdzekli. Pirms uzglabāšanas rūpīgi nosusiniet;
- izgatavotas no čuguna, nomazgājiet ar ūdeni un ziepēm vai neabrazīvu mazgāšanas līdzekli. Pirms uzglabāšanas rūpīgi nosusiniet un ieeļļojiet ar augu eļļu. To ieteicams darīt pēc katras lietošanas reizes.

2. Pirms pirmās lietošanas reizes

Pirms pirmās lietošanas reizes ierīci izkarsējiet, uz 15 minūtēm ieslēdzot pilnas jaudas režīmā. Var būt jūtama smaka.

3. Ēdiena gatavošana

Lai izvairītos no pārmērīgas dūmošanas, pirms ēdiena gatavošanas nogrieziet no tā redzamos taukus.

Raugieties, lai ierīcē neuzkrātos tauki. Ja aizdegas tauki, nemēģiniet dzēst liesmas ar ūdeni, jo tas var sabojāt degļus, – nekavējoties pagrieziet gāzes balona ventili stāvoklī „OFF”.

Lai ēdiens nepieliptu, ieeļļojiet cepšanas virsmu ar augu eļļu.

Pēc lietošanas pagrieziet degļu regulēšanas kloķus un gāzes balona ventili stāvoklī „OFF”. Pirms ierīces tīrīšanas, pārvietošanas, apklāšanas vai uzglabāšanas pārliecinieties, ka tā ir pilnīgi atdzisusi.

4. Aizdedzināšana

Skatiet uz ierīces vadības paneļa uzdrukāto aizdedzināšanas instrukciju. Uzmanīgi to izlasiet.

Sveikiname išsirikus „Mustang“ gaminį! „Mustang“ barbekiu gaminių šeima sukurta geram maistui ruošti. Mūsų liniją sudaro įvairūs kepsninių ir kiti valgio gaminių gaminiai. Norėdami daugiau sužinoti apie mūsų gaminių asortimentą, eikite adresu www.mustang-grill.com arba į artimiausią licencijuotą „Mustang“ mažmeninės prekybos vietą!

Nuolatos tobuliname „Mustang“ liniją ir kitus siūlomus gaminius. Kuriant gaminius svarbų vaidmenį vaidina naudotojų atsiliepimai, padedantys užtikrinti kokybę. Labai dėjuotumėmės, jei atsiliepiate apie mūsų gaminius pateiktumėte adresu mustang@mustang-grill.com.

Prašome nuodugniai susipažinti su naudotojo instrukcija, kad galėtumėte kuo labiau išnaudoti kepsninės privalumus. rūpestingai ir reguliariai valydami bei prižiūradami kepsninę prailginsite jos naudojimo trukmę ir padidinsite saugumą. „Mustang“ gaminių linijoje taip pat siūlomos tinkamos valymo priemonės ir priežiūrai skirti įrankiai.

Norėdami gauti daugiau informacijos, eikite adresu www.mustang-grill.com.

PAVOJUS:

Jei užuodžiate dujas:

1. Nutraukite dujų tiekimą prietaisui.
2. Užgesinkite atvirą liepsną ir venkite naudoti bet kokius elektros prietaisus.
3. Atidarykite dangtį ir išvėdinkite vietą.
4. Patikrinkite dujų jungtis muilo tirpalu.
5. Jei kvapas išlieka, nedelsdami kreipkitės į dujų tiekėją arba gaisrininkus.

SVARBU:

Nepaisant šių instrukcijų gali kilti pavojingas gaisras ar sprogiškas.

Naudotojas privalo užtikrinti, kad rūkykla tinkamai surinkta, sumontuota ir prižiūrima. Nepaisant šiose vadove pateiktų instrukcijų galima rimtai susižeisti ir (arba) sugadinti turtą. Bet kokie prietaiso pakeitimai, netinkamas jo naudojimas ar instrukcijų nepaisymas gali kelti pavojų.

ĮSPĖJIMAS:

Pasiekiamos dalys gali būti labai karštos. Neleiskite mažiems vaikams artintis. Naudojant šį prietaisą reikia laikyti atokiau nuo degių medžiagų.

Saugokite šią instrukciją, kad ateityje prireikus galėtumėte peržiūrėti.

TECHNINĖ INFORMACIJA:

PRIETAISO KODAS:.....KS18784 (324162)
 KOPĖJĀ TERMISKĀ JAUDA
 (VISAS GĀZES KATEGORIJAS):.....4,4kW (314 g/h)
 IERĪCES KLASE:.....I3B/P(30)
 GĀZES VEIDI:.....Šķidrie gāzu maisījumi
 GĀZES SPIEDIENS:.....30 mbar
 SPRAUSLAS LIELUMS:.....1,07 mm

SVARBU:

Atidžiai perskaitykite instrukcijas ir užtikrinkite, kad rūkykla būtų tinkamai sumontuota, surinkta ir prižiūrima. Nesilaikant šių instrukcijų galima rimtai susižeisti ir (arba) sugadinti turtą. Jei kiltų klausimų dėl rūkyklos surinkimo ar naudojimo, kreipkitės į pardavėją.

Naudodami prietaisą pasirūpinkite, kad rūkykla ir dujų balionas stovėtų ant lygaus, horizontalaus paviršiaus.

Niekuomet neuždekite prietaiso, kai dangtis uždarytas.

Mažo slėgio regulatorius ir dujų žarna turi būti šalyje patvirtinto naudoti tipo.

Jei reikia šias dalis pakeisti, kreipkitės į klientų aptarnavimo tarnybą arba pardavėją.

Naudodami rūkyklai nepatvirtintas dalis galite sukelti pavojingą situaciją ir sudaryti nesaugią naudojimo aplinką.

PASTABA VARTOTOJUI: pasilikite instrukcijas, jei prireiktų jas peržiūrėti vėliau.

SAUGOS INSTRUKCIJOS

Kas kartą iš naujo pripildę baką arba pirmą kartą naudodami po ilgos pertraukos patikrinkite visų jungčių sandarumą pagal instrukcijas.

Niekuomet nenaudokite suskystintų dujų bako pažeistu korpusu, vožtuvu, kakleliu ar stovu.

Nelaikykite suskystintų dujų bako po rūkykla, kai ją naudojate. Alkoholio ar receptinių ir nereceptinių vaistų naudojimas gali pabloginti gebėjimą tinkamai surinkti ar saugiai naudoti prietaisą.

Nelaikykite benzino ar kitų degių skysčių ir garų arčiau nei per 7,6 m (25 pėdas) nuo šio prietaiso. Minimalus tarpas nuo prietaiso šonų ir galo iki degių konstrukcijų yra 1 m (3 pėdos).

Nenaudokite prietaiso po degiu paviršiumi.

Nenaudokite rūkyklos, jei ji nėra iki galo surinkta, o visos jos dalys gerai pritvirtintos ir priveržtos.

Rūkyklą reikia reguliariai kruopščiai nuvalyti ir apžiūrėti. Kiekvieną kartą prieš naudodami prietaisą nuvalykite ir apžiūrėkite dujų žarną. Jei ant žarnos matomi subraižymo, susidėvėjimo, įpjovimų ar nesandarumo požymiai, prieš naudojant prietaisą reikia žarną pakeisti.

Naudokite tik gamintojo patvirtintas dalis. Naudoti nepatvirtintas dalis pavojinga. Taip pat gali nustoti galioti garantija.

Gaminant maistą reikia netoliese laikyti ugnies gesinimo priemonės. Užsidegus aliejui ar riebalams nbandykite gesinti jų vandeniui. Naudokite cheminį gesintuvą arba užslopinkite ugnį purvu, smėliu ar nedegiu audeklu.

Naudokite prietaisą tik ant tvirtos žemės, nemontuokite ir nenaudokite jo valtyse ar kemperiuose.

Nepalikite degančios rūkyklos neprižiūrimos. Visuomet prižiūrėkite, kad vaikai ir naminiai gyvūnai nesiartintų prie rūkyklos.

Naudodami prietaisą jo nejudinkite.

Visuomet atidarinėkite rūkyklos dangtį lėtai ir atsargiai, nes rūkykloje susikaupęs karštis ir garai gali jus smarkiai nudeginti. Patraukite dujų žarnas kaip galima toliau nuo karštų paviršių ir varvančių karštų riebalų.

Laikykite visus elektros laidus atokiau nuo rūkyklos.

Baigę naudoti išjunkite dujų baliono dujų tiekimą.

Niekuomet neuždenkite konteinerio ventiliacijos angų.

Liesdami karštas dalis dėvėkite apsaugines pirštines.

ŽARNA IR REGULIATORIUS

Šios dalys prie rūkyklos nepridedamos. Naudokite tik žarną ir regulatorius, patvirtintus naudoti su suskystintomis dujomis esant aukščiau nurodytam slėgiui. Numatyta regulatoriaus

eksploatacijos trukmė yra 10 metų. Pakeiskite reguliatorių per 10 metų nuo jo pagaminimo datos. Naudoti netinkamą žarną ar reguliatorių nesaugu, prieš naudodami rūkyklą visuomet patikrinkite, ar šios dalys tinkamos. Naudojama žarna turi atitikti galiojančius šalies standartus. Žarnos ilgis turi būti ne daugiau nei 1,2 metro, vidinis skersmuo – 10 mm. Nusidėvėjusią ar pažeistą žarną reikia pakeisti. Užtikrinkite, kad žarna nebūtų sulenкта arba užsikimšusi ir kad neliestų jokios rūkyklos dalies, išskyrus jungtį.

RŪKYKLOS SAUGOJIMAS

Laikyti prietaisą patalpoje leidžiama tik jei suskystintų dujų balionas atjungtas nuo prietaiso. Jei prietaisas ilgą laiką nenaudojamas, reikia įdėti jį į originalią pakuotę ir laikyti sausoje, nedulkėtoje vietoje.

SUSKYSTINTŲ DUJŲ BALIONAS

Negalima mėtyti dujų balionų ar elgtis su jais grubiai! Jei nenaudojate rūkyklos, dujų balioną reikia atjungti. Atjungę balioną nuo prietaiso uždėkite apsauginį dangtelį. Dujų balioną reikia laikyti stačią lauke, vaikams nepasiekiamoje vietoje. Niekomet negalima laikyti baliono aplinkoje, kurioje temperatūra gali pasiekti daugiau nei 50 °C. Nelaikykite baliono netoli liepsnos, degiklių ar kitų uždegimo šaltinių. **NERŪKYKITE ARTI SUSKYSTINTŲ DUJŲ BALIONO**

Rūkykla skirta naudoti lauke, atokiau nuo degių medžiagų. Svarbu, kad nebūtų kliūčių virš jos ir kad būtų 1 m laisvos vietos prietaiso šonuose ir gale. Svarbu, kad rūkyklos ventiliacijos angos nebūtų uždengtos. Rūkyklą reikia naudoti ant lygaus, stabilaus paviršiaus. Prietaisą reikia saugoti nuo tiesioginio oro srauto, jį reikia saugoti nuo vandens (pvz., lietaus) patekimo. Negalima keisti jokios šios rūkyklos dalies, remontą ir techninę priežiūrą gali atlikti tik registruota dujinės įrangos priežiūros bendrovė.

SUSKYSTINTŲ DUJŲ BALIONO PRIJUNGIMAS PRIE RŪKYKLOS

Prieš prijungdami įsitikinkite, ar dujų cilindro galvutėje, reguliatoriuje, degiklyje ar degiklio angose nėra šiukšlių ar purvo. Voriai ir vabzdžiai gali apsigyventi viduje ir užkimšti degiklį ar jo lizdą. Dėl užkimšto degiklio po degikliu gali kilti gaisras. Išvalykite degiklio angas tvirtu vamzdžių šepečiu. Pritvirtinkite žarną prie prietaiso, veržliarakčiu priverždami ją prie jungties sriegio. Jei žarna pakeista, reikia pritvirtinti ją prie rūkyklos ir reguliatoriaus žarnos laikikliais. Kai rūkyklos nenaudojate, atjunkite nuo baliono reguliatorių, laikydamiesi instrukcijų. Rūkyklą reikia naudoti gerai vėdinamoje vietoje. Naudodami rūkyklą neblokaukite degimui reikalingo oro srauto į degiklį. **NAUDOKITE ŠIĄ RŪKYKLĄ TIK LAUKE.**

PRIEŠ NAUDODAMI PATIKRINKITE, AR NĖRA NESANDARUMO ŽARNOJE IR (ARBA) JUNGČIŲ SRIEGIUOSE. Niekomet netikrinkite, ar nėra nesandarumo, naudodami atvirą liepsną, naudokite muilo tirpalą vandenyje.

TIKRINIMAS, AR NĖRA NESANDARUMO

Paruoškite 6–9 d (2–3 skysčio uncijas) nesandarumo paieškos tirpalo, sumaišydami vieną dalį indų ploviklio ir 3 dalis vandens. Įsitikinkite, kad valdymo vožtuvas yra padėtyje „OFF“ (išjungta). Prijunkite reguliatorių prie suskystintų dujų baliono, o įjungimo

/ išjungimo vožtuvą – prie degiklio. Įsitikinkite, kad sujungta gerai, tuomet pasukite vožtuvą į padėtį „ON“ (įjungta). Sutepkite žarną ir visas jungtis muilo tirpalu. Jei pasirodo burbulų, yra nesandarumas, kurį reikia pašalinti prieš naudojant rūkyklą. Pašalinę problemą patikrinkite pakartotinai. Patikrinę pasukite suskystintų dujų baliono vožtuvą į padėtį „OFF“ (išjungta). Jei aptinkate nesandarumą ir negalite jo pašalinti, kreipkitės į dujų tiekėją, kad jis pašalintų nesandarumą.

RŪKYKLOS UŽDEGIMAS

Uždegimo instrukcijos

1. Pasukite valdymo rankenėlę laikrodžio rodyklės kryptimi, į padėtį „●“.
2. Prieš naudodami atidarykite gaubtą.
3. Prijunkite slėgio reguliatorių prie dujų baliono. Įjunkite dujų tiekimą, pasukdami reguliatoriaus jungiklį į padėtį „ON“ (įjungta). Muilinu vandeniu patikrinkite, ar nėra dujų nutekėjimo tarp baliono ir reguliatoriaus.
4. Paspauskite valdymo rankenėlę ir pasukite prieš laikrodžio rodyklę į didžiausio srauto padėtį, tuo pačiu spausdami uždegimo mygtuką, kol degiklis užsidegs. Jei degiklis nedega, pakartokite šį procesą tris ar keturis kartus.
5. Jei degiklis vis vien neužsidega, palaukite penkias minutes ir pakartokite 4 veiksmą.
6. Sureguliuokite degiklį, kad pasiektumėte norimą darbinę temperatūrą.
7. Jei norite išjungti rūkyklą, pasukite baliono vožtuvą arba reguliatoriaus jungiklį į padėtį „OFF“ (išjungta). Po to pasukite visas prietaiso valdymo rankenėles laikrodžio rodyklės kryptimi, į padėtį „●“.

Įspėjimas: jei degiklis neužsidega, pasukite visas valdymo rankenėles į išjungtą padėtį (laikrodžio rodyklės kryptimi), taip pat užsukite baliono vožtuvą. Palaukite penkias minutes prieš bandydami uždegti degiklius dar kartą. Prieš pirmą kartą rūkydami, leiskite rūkyklai veikti apie penkiolika minučių, uždarę dangtį ir nustatę dujų srautą į „HIGH“ (didelis). Taip „karščiu nuvalysite“ vidines dalis ir panaikinsite daug dangos kvapą. Kiekvieną kartą panaudoję rūkyklą išvalykite. **NENAUDOKITE** abrazyvinių arba degių valiklių, nes jie sugadins gaminį ir gali sukelti gaisrą. Valykite šiltu muilinu vandeniu. **ĮSPĖJIMAS:** pasiekiamos dalys ir paviršiai gali būti labai karšti. Niekomet neleiskite mažiems vaikams artintis prie karšto prietaiso (net kai jis vėsta)! Rekomenduojame dirbant, ypač su karštomis dalimis, dėvėti apsaugines pirštines (pvz., orkaitės pirštines).

VALYMAS IR PRIEŽIŪRA

PERSPĖJIMAS: visą valymą ir priežiūrą reikia atlikti, kai rūkykla yra atvėsusi, o kuro tiekimas išjungtas, pasukant dujų vožtuvą į padėtį „OFF“ (išjungta).

A. VALYMAS

Norint palaikyti gerą rūkyklos būseną ir užtikrinti optimalų veikimą, reikia ją valyti ir atlikti techninę priežiūrą. Po kiekvieno naudojimo, kai tik rūkykla atvėsta, atlikite bent toliau nurodytus veiksmus.

PAVIRŠIAI

Naudokite švelnų valiklį arba valgomosios sodos ir karšto vandens tirpalą. Norėdami pašalinti sunkiai pašalinamas dėmes

galite naudoti neabrazyvinius šveitimo miltelius. Po to nuskalaukite vandeniu. Jei vidinis rūkyklos dangčio paviršius atrodo taip, lyg lupęsi dažai, susikaupę riebalų apnašos suanglėjo ir lupasi. Kruopščiai nuvalykite stipriu karštu muilo ir vandens tirpalu. Nuskalaukite vandeniu ir leiskite visiškai išdžiūti. NIEKUOMET NENAUDOKITE ORKAIČIŲ VALIKLIO.

RŪKYKLOS APATINĖS DALIES VIDUS

Pašalinkite apnašas šepetėliu, gremžtuku ir (arba) kempinėle. Po to nuplaukite muilinu vandeniu. Nuskalaukite vandeniu ir leiskite išdžiūti.

PLASTIKINIAI PAVIRŠIAI

Plaukite minkšta šluoste ir karštu muilinu vandeniu. Nuskalaukite vandeniu. Plastikiniams dalims valyti nenaudokite abrazyvinių valiklių, nuriebalinimo priemonių ar koncentruoto kepsninių valiklio.

MEDINIAI PAVIRŠIAI

Medinius paviršius reikia nuvalyti drėgna šluoste. Sunkiai pašalinamas dėmes trinkite valiklio tirpalu.

KEPIMO GROTELĖS

Naudokite nestiprų muilo tirpalą. Norėdami pašalinti sunkiai pašalinamas dėmes galite naudoti neabrazyvinius šveitimo miltelius. Po to nuskalaukite vandeniu.

DEGIKLIO SURINKIMAS

Pasukite valdymo rankenėlę į padėtį „OFF“ (išjungta) ir atjunkite dujų balioną. Nuimkite aušinimo groteles.

Nuvalykite degiklį minkštu šepetėliu arba švariai nupūskite suspaustu oru bei nušluostykite šluoste.

Išvalykite užsikimšusias angas vamzdžių šepetėliu arba standžia viela (pvz., ištiesinta sąvaržėle).

Apžiūrėkite degiklį, ar nėra pažeidimų (įskilimų ir skylių). Jei aptinkate pažeidimų, pakeiskite degiklį nauju.

Vėl sumontuokite degiklį. Patikrinkite, ar dujų vožtuvo angos tinkamai išlygiuotos su degiklio įleidimo (Venturio) vamzdeliu.

B. PRIEŽIŪRA

1. Grotelės ir padėklas

Jeigu rūkymo paviršiai:

- chromuoti: nuplaukite vandeniu su muilu arba neabrazyviniu valikliu. Prieš padėdami sandėliuoti kruopščiai nusauskinkite.
- emaliuoti: nuplaukite vandeniu su muilu arba neabrazyviniu valikliu. Prieš padėdami sandėliuoti kruopščiai nusauskinkite.
- padegti ketumi: nuplaukite vandeniu su muilu arba neabrazyviniu valikliu. Prieš padėdami sandėliuoti kruopščiai nusauskinkite ir sutepkite augaliniu aliejumi. Rekomenduojame tai atlikti po kiekvieno naudojimo.

2. Prieš naudojant pirmą kartą

Prieš naudodami prietaisą pirmą kartą, penkiolika minučių jį kaitinkite visu galingumu. Gali jaustis kvapas.

3. Rūkymas

Kad būtų mažiau dūmų, prieš rūkydami pašalinkite riebias maisto dalis.

Pasirūpinkite, kad prietaise nesikaupytų riebalai. Jei riebalai užsidegtų, negesinkite jų vandeniu, nes taip galite sugadinti degiklius. Nedelsdami užsukite dujų vožtuvą.

Kad maistas nepriliptų, patepkite gaminimo paviršių augaliniu aliejumi.

Baigę naudotis išjunkite valdiklius ir užsukite dujų vožtuvą.

Prieš valydami, perkeldami ar uždengdami prietaisą arba padėdami jį saugoti įsitinkite, kad jis visiškai atvėso.

4. Apšvietimas

Žr. uždegimo instrukcijas, pateiktas ant prietaiso valdymo skydelio. Įdėmiai perskaitykite šias instrukcijas.

Поздравляем вас с выбором изделия Mustang! Серия изделий для гриля Mustang разработана для приготовления вкусной еды. Серия изделий включает широкий выбор аксессуаров для гриля и приготовления еды. Вы можете ознакомиться со всем выбором по адресу www.mustang-grill.com или у ближайшего уполномоченного дистрибьютора.

Мы постоянно совершенствуем изделия Mustang и связанные с ними аксессуары. Для обеспечения качества в ходе разработки продукции мы уделяем особое внимание отзывам, посылаемым потребителями. Мы ждем ваших отзывов о наших изделиях по адресу mustang@mustang-grill.com.

Чтобы изделие было для вас максимально полезным, основательно ознакомьтесь с руководством пользователя. Регулярная чистка и обслуживание устройства позволяют продлить срок его эксплуатации и повысить безопасность. В ассортименте изделий Mustang вы также можете найти и чистящие средства и щетки, подходящие для чистки гриля.

Дополнительную информацию вы можете найти по адресу www.mustang-grill.com.

ВНИМАНИЕ!

При запахе газа:

1. Перекройте подачу газа к устройству.
2. Затухните все источники открытого пламени и избегайте использования электроприборов.
3. Откройте крышку и как следует всё проветрите.
4. Проверьте герметичность всех соединений при помощи мыльного раствора.
5. Если запах газа не исчезает, немедленно свяжитесь со своей газовой или пожарной службой.

ВАЖНО:

При пренебрежении данными инструкциями может возникнуть пожар или взрыв.

Ответственность за правильную сборку, установку и уход за коптильной несёт пользователь. Невыполнение инструкций из настоящего руководства может привести к травмам, а также повреждению имущества.

Любые конструктивные изменения, эксплуатация в нештатном режиме и невыполнение инструкций могут быть опасны.

ВНИМАНИЕ:

Внешние элементы могут сильно нагреваться. Не подпускайте детей к устройству.

Во время использования рядом с устройством не должно быть легковоспламеняющихся материалов.

Сохраните данное руководство на будущее.

ТЕХНИЧЕСКИЕ ХАРАКТЕРИСТИКИ:

КОД ПРИБОРА:.....KS18784 (324162)
 ОБЩАЯ ТЕПЛОВАЯ МОЩНОСТЬ
 (ВСЕ КАТЕГОРИИ ГАЗА):4,4 кВт (314 г/ч)
 КЛАСС ПРИБОРА:.....I3B/P(30)
 ДАВЛЕНИЕ ГАЗА :Жидкие газовые смеси
 ДАВЛЕНИЕ ГАЗА: 30 мбар
 РАЗМЕР СОПЛА: 1,07 мм

ВАЖНО:

Внимательно прочтите руководство и убедитесь, что ваша коптильня должным образом собрана и установлена, и регулярно обслуживается. Невыполнение этих инструкций может привести к травмам, а также повреждению имущества.

Если у вас возникнут вопросы относительно сборки или использования коптильни, обратитесь к своему розничному торговцу.

Убедитесь, что при использовании устройства как коптильня, так и газовый баллон находятся на ровной поверхности в устойчивом положении.

Никогда не разжигайте огонь при закрытой крышке.

Регулятор низкого давления и газовый шланг должны соответствовать типу, разрешённому для применения в стране использования.

При необходимости замены деталей, обратитесь в службу поддержки или к розничному торговцу.

Использование не предназначенных для коптильни деталей чревато возникновением опасных ситуаций во время эксплуатации устройства.

ПОТРЕБИТЕЛЮ: Сохраните руководство на будущее.

ТЕХНИКА БЕЗОПАСНОСТИ

Проверьте все соединения на наличие утечек согласно инструкции после каждой зарядки баллона, а также при первом использовании после длительного перерыва.

Никогда не используйте газовые баллоны с повреждениями корпуса, клапана, фланца или основания.

Не ставьте газовый баллон под коптильню во время использования устройства.

Состояние алкогольного или наркотического опьянения, а также побочные эффекты некоторых лекарств, могут отрицательно влиять на способность лица к сборке и эксплуатации устройства.

Не храните бензин и другие легковоспламеняющиеся жидкости и газы в радиусе 25 футов (7,6 м) от устройства.

Минимальный зазор между задней или боковыми сторонами устройства и воспламеняющихся конструкций — 3 фута (1 м).

Не используйте устройство под воспламеняющимися поверхностями.

Не используйте коптильню до тех пор, пока она полностью не собрана и пока все части устройства не зафиксированы и не находятся в устойчивом положении.

Коптильня подлежит регулярной тщательной очистке и осмотру. Перед каждым использованием устройства следует протереть и осмотреть газовый шланг. При наличии потёртостей, повреждений, порезов и утечек следует заменить шланг прежде чем устройство можно будет эксплуатировать.

Используйте только разрешённые производителем запчасти. Использование прочих запчастей опасно. Оно также чревато потерей гарантии.

При использовании устройства следует иметь под рукой всё необходимое для тушения пожара. В случае воспламенения горючих жидкостей или жира, не пытайтесь гасить пожар водой. Используйте химический огнетушитель, песок или землю, или противопожарное одеяло.

Устройство следует использовать только на устойчивых поверхностях. Ни в коем случае не устанавливайте коптильню на лодку или другое транспортное средство.

Не оставляйте зажжённую коптильню без присмотра. Всегда следите за тем, чтобы рядом с коптильной не было детей и животных.

Не перемещайте устройство в процессе эксплуатации.

Всегда соблюдайте осторожность при открывании коптильни. Открывайте коптильню медленно, так как пар и нагретый воздух из коптильни могут причинить серьёзные ожоги.

Держите газовый шланг как можно дальше от нагретых поверхностей и капель горячего жира.

Держите электрические провода как можно дальше от работа-

ющей коптильни.

По окончании использования прекратите подачу газа из баллона.

Ни в коем случае не блокируйте вентиляционные отверстия коптильни.

К нагретым поверхностям можно прикасаться только в защитных перчатках.

ШЛАНГ И РЕГУЛЯТОР

В комплект поставки коптильни эти предметы не входят. Используйте только шланги и регуляторы, предназначенные для газа под указанным в инструкции давлением. Средний срок службы регулятора — 10 лет. Меняйте регулятор по прошествии 10 лет с момента производства.

Использование неподходящих шлангов и регуляторов опасно. Перед тем, как разжечь коптильню, убедитесь в том, что ваши запчасти подходят вашему устройству.

Газовый шланг должен соответствовать стандартам страны использования. Максимальная длина шланга — 1,2 метра. Внутренний диаметр — 10 мм. Повреждённые и изношенные шланги подлежат замене. Убедитесь, что шланг не перекручен, не забит, и не прикасается к коптильне ничем, кроме соединительной части.

ХРАНЕНИЕ КОПТИЛЬНИ

Хранить устройство в помещении можно только при условии предварительного отсоединения и извлечения газового баллона. Когда предполагается, что устройство не будет использоваться в течение долгого времени, его следует поместить в первоначальную упаковку и хранить в сухом помещении без пыли.

Газовые баллоны

С газовыми баллонами следует обращаться осторожно. Ни в коем случае не роняйте их! Если коптильня не используется, газовый баллон следует отключать от устройства. После отключения баллона от устройства следует надеть на баллон защитную крышку.

Баллон с газом следует хранить вне помещения, в вертикальном положении и вне доступа детей. Газовый баллон ни в коем случае не следует хранить при температуре выше 50°C. Также не допускается хранение баллона рядом с источниками пламени или искр либо иными источниками воспламенения.

НЕ КУРИТЕ РЯДОМ С ГАЗОВЫМ БАЛЛОНОМ.

Данная коптильня предназначена для использования на открытом воздухе и на безопасном расстоянии от легковоспламеняющихся материалов. Важно, чтобы выше коптильни не располагались никаких предметов и чтобы зазор между сторонами коптильни и ближайшими предметами или конструкциями был не менее одного метра. Ни в коем случае не блокируйте вентиляционные отверстия, расположенные на корпусе коптильни. Коптильню следует использовать на ровной и устойчивой поверхности. Следует укрывать устройство от прямого дуновения ветра и располагать его таким образом, чтобы внутрь коптильни не попадала вода (например, во время дождя).

Запрещаются конструктивные изменения любых частей коптильни. Техническое обслуживание может производиться только службами, лицензированными на обслуживание газовых приборов.

Подключение газового баллона к коптильне

Перед подключением убедитесь, что вентиль баллона, регулятор, горелка и её отверстие не забиты грязью или мусором. Внутрь могут попадать пауки и другие насекомые, в результате чего горелка и канал подачи газа могут оказаться забитыми. При забитой горелке под коптильней может разгореться пламя. Прочищайте отверстия горелок специальными ёршиками для труб.

Чтобы соединение газового шланга с устройством было герметичным, затяните уплотнитель гаечным ключом. При

замене шланга следует использовать специальные зажимы для подключения его к коптильне и регулятору. Если коптильня не используется, газовый баллон следует отключать от регулятора согласно инструкции.

Коптильню следует использовать в хорошо вентилируемом месте. Не препятствуйте току воздуха в горелку во время использования коптильни. **ПОЛЬЗУЙТЕСЬ КОПТИЛЬНЕЙ ТОЛЬКО ВНЕ ПОМЕЩЕНИЯ.**

ПЕРЕД ИСПОЛЗОВАНИЕМ УБЕДИТЕСЬ, ЧТО В ШЛАНГ И МЕСТА ЕГО ПОДКЛЮЧЕНИЯ НЕ ПРОПУСКАЮТ ГАЗА.

Никогда не пользуйтесь огнём для обнаружения утечек. В этих целях следует использовать мыльный раствор.

ПРОВЕРКА НА ПРЕДМЕТ УТЕЧКИ

Приготовьте от полулитра до литра мыльного раствора (2-3 унции жидкости) по следующему рецепту: одна часть жидкости для мытья посуды на три части воды.

Убедитесь, что подача газа отключена (клапан находится в положении «OFF»).

Подключите газового баллона к коптильне и клапану горелки (с положениями «ON» и «OFF»). Убедитесь, что все соединения герметичны, и включите подачу газа.

Нанесите мыльный раствор на шланг и все соединительные элементы. Если вы видите пузырьки, то есть утечка газа. Перед использованием коптильни её следует ликвидировать.

По окончании работ по ликвидации утечки повторите проверку.

По окончании проверки выключите подачу газа у баллона. При обнаружении утечки, которая не поддаётся ликвидации, обратитесь к своему поставщику газа.

КАК РАЗЖИГАТЬ КОПТИЛЬНЮ

Руководство по розжигу

1. Поверните ручку по часовой стрелке, приведя её в положение «●».
2. Откройте колпак перед тем, как приступить к эксплуатации.
3. Прикрепите регулятор давления к газовому баллону. Приведите ручку регулятора подачи газа в положение «ON» (ВКЛ). Для обнаружения утечек газа между баллоном со сжиженным газом и регулятором используйте мыльный раствор.
4. Нажмите на регулятор, а затем поверните его против часовой стрелки, удерживая кнопку зажигания нажатой, пока горелка не загорится. Если воспламенения не происходит, повторите процесс три или четыре раза.
5. Если воспламенения так и не произошло, подождите пять минут и начните с 4-го этапа.
6. Отрегулируйте горелку для достижения желаемой температуры.
7. Чтобы выключить гриль, переведите вентиль газового баллона или регулятор в положение «OFF» (ВЫКЛ). Затем поверните все ручки на приборе по часовой стрелке, приведя их в положение «●».

Внимание: Если зажечь горелку не удаётся, поверните все ручки по часовой стрелке, чтобы выключить все горелки, а затем переключите вентиль газового баллона. Подождите пять минут прежде чем пытаться разжечь горелки повторно.

Перед первым использованием следует прогреть гриль в течение примерно 15 минут с закрытой крышкой на максимальном пламени (положение «HIGH»). Это поможет прокалить внутренние элементы гриля и избавиться от запаха краски. Ваша коптильня подлежит чистке после каждого использования. НЕ ИСПОЛЬЗУЙТЕ абразивные и воспламеняющиеся чистящие средства во избежание повреждения прибора и возникновения пожара. Используйте тёплый мыльный раствор для очистки.

ВНИМАНИЕ: Внешние элементы и поверхности могут сильно

нагреваться. Всегда следите за тем, чтобы рядом с нагретым прибором не было детей (даже во время охлаждения прибора). Прикасаться к нагретым частям коптильни следует только в защитных перчатках (или кухонных рукавицах).

ЧИСТКА И УХОД

ВНИМАНИЕ: Все операции по очистке гриля следует проводить, когда коптильня выключена, при отключенной подаче газа у баллона (положение «OFF»).

А. ОЧИСТКА

Чтобы поддерживать коптильню в рабочем состоянии и поддерживать оптимальный режим эксплуатации, следует регулярно выполнять действия по очистке прибора и уходу за ним. После каждого использования коптильни следует сделать как минимум следующее:

ПОВЕРХНОСТИ

Используйте мягкое моющее средство или раствор пищевой соды в тёплой воде. Трудновыводимые пятна можно удалять неабразивным чистящим средством. После этого чистящее средство следует смыть водой. Если внутренняя сторона крышки коптильни выглядит так, как будто она покрыта отслаивающейся краской, это означает, что скопившийся на ней жир обуглился и начал отваливаться. Тщательно промойте поверхность концентрированным горячим мыльным раствором. Затем сполосните водой и дайте как следует высохнуть. **НИКОГДА НЕ ИСПОЛЬЗУЙТЕ СРЕДСТВО ДЛЯ ЧИСТКИ ПЕЧЕЙ.**

ВНУТРЕННЯЯ ПОВЕРХНОСТЬ НИЖНЕЙ ЧАСТИ КОПТИЛЬНИ

Уберите нагар при помощи щётки, металлической губки и/или специальной губки. Затем промойте мыльным раствором. После этого сполосните водой и дайте как следует высохнуть.

ПЛАСТИКОВЫЕ ПОВЕРХНОСТИ

Используйте мягкую тряпку и мыльный раствор. Затем ополосните водой. Не используйте абразивные чистящие средства, концентрированные средства для чистки грилей, а также растворители жира при очистке пластиковых деталей.

ДЕРЕВЯННЫЕ ПОВЕРХНОСТИ

Деревянные поверхности следует протирать влажной тряпкой. Трудновыводимые пятна сводятся при помощи воды с добавлением мощного средства.

РЕШЁТКА ДЛЯ ЖАРКИ

Используйте слабый мыльный раствор. Трудновыводимые пятна можно удалять неабразивным чистящим средством. После этого чистящее средство следует смыть водой.

БЛОК С ГОРЕЛКАМИ

Отключите подачу газа (положение «OFF») и отсоедините газовый баллон от коптильни. Извлеките рассекатель.

Очистка горелки производится при помощи мягкой щётки или воздуха под давлением с последующей протиркой тряпкой. Забитые отверстия можно прочищать щёткой для трубок или проволокой (для этого вполне подойдёт разогнутая скрепка). Исследуйте горелку на предмет повреждений (трещин и отверстий). При обнаружении повреждений горелка подлежит замене.

Соберите прибор заново и установите его на место. Убедитесь, что отверстия подачи газа не заблокированы и находятся в правильном положении, а также в том, что горелка плотно сидит в гнезде.

В. УХОД И ОБСЛУЖИВАНИЕ

1. Решётка и поверхность
Если поверхности для готовки:

- хромированы, то для их очистки следует использовать мыльный раствор или неабразивное моющее средство. Прежде чем убирать прибор на хранение, убедитесь, что все поверхности высохли.

- покрыты фарфоровой эмалью, то для их очистки следует использовать мыльный раствор или неабразивное моющее средство. Прежде чем убирать прибор на хранение, убедитесь, что все поверхности высохли.

- выполнены из чугуна, то для их очистки следует использовать мыльный раствор или неабразивное моющее средство. Прежде чем убирать прибор на хранение, протрите все поверхности и смажьте их растительным маслом. Рекомендуем делать это после каждого использования.

2. Перед первым использованием:

Перед первым использованием прибора, его следует прогреть на максимальной температуре в течение 15 минут. Вы можете почувствовать неприятный запах.

3. Приготовление пищи

Во избежание чрезмерного задымления, срежьте жир с мяса перед копчением.

Убедитесь, что жир не скапливается на поверхностях коптильни. Если жир начинает гореть, не пытайтесь погасить его водой, так как это может привести к повреждению горелок. Сразу же перекройте подачу газа.

Смазывайте жарочную поверхность маслом, чтобы пища не прилипла к ней.

По окончании использования выключите горелки и перекройте подачу газа. Пока прибор не остыл до конца, его нельзя чистить, перемещать, накрывать или убирать на хранение.

4. Розжиг

Инструкции по розжигу приведены на контрольной панели прибора. Ознакомьтесь с ними как можно внимательнее.

Seuraa meitä somessa!



@mustanggrill
#grillaamustangilla



GrillaaMustangilla



Grillaa Mustangilla

www.mustang-grill.com

Social media content currently
only available in Finnish