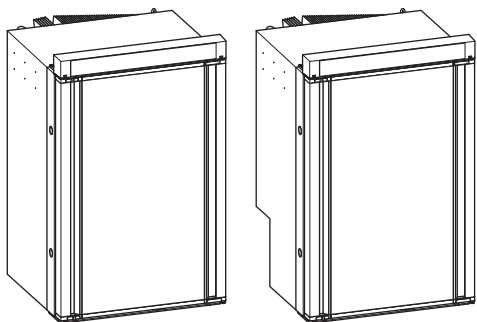


↗ DOMETIC

REFRIGERATION

10-SERIES

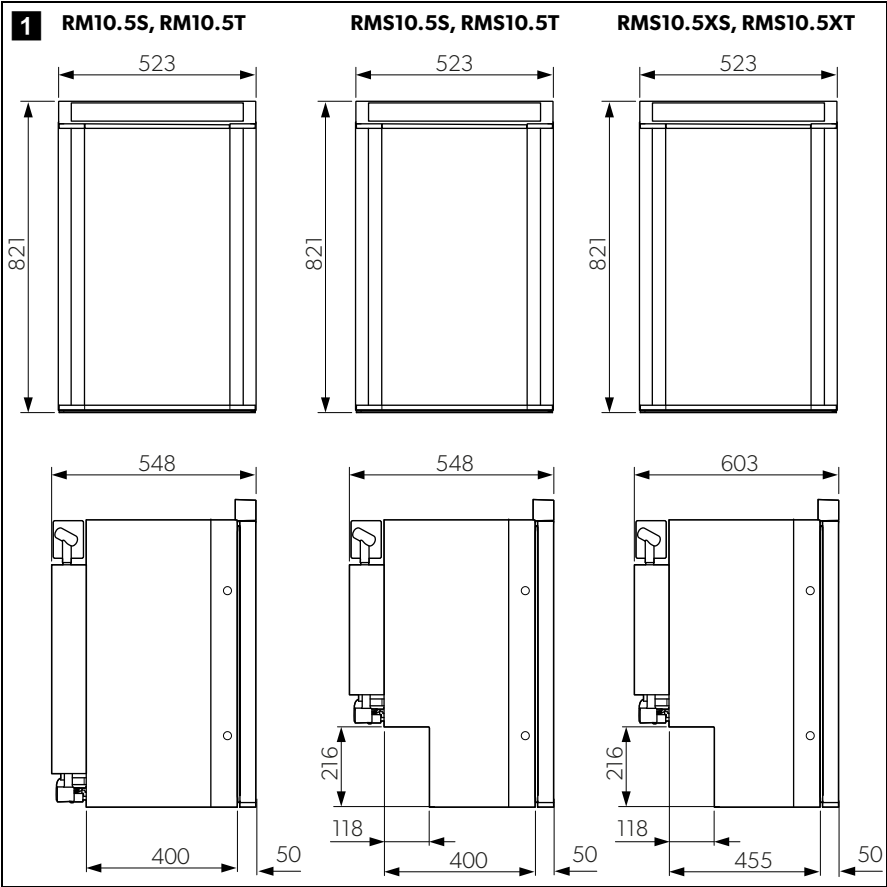
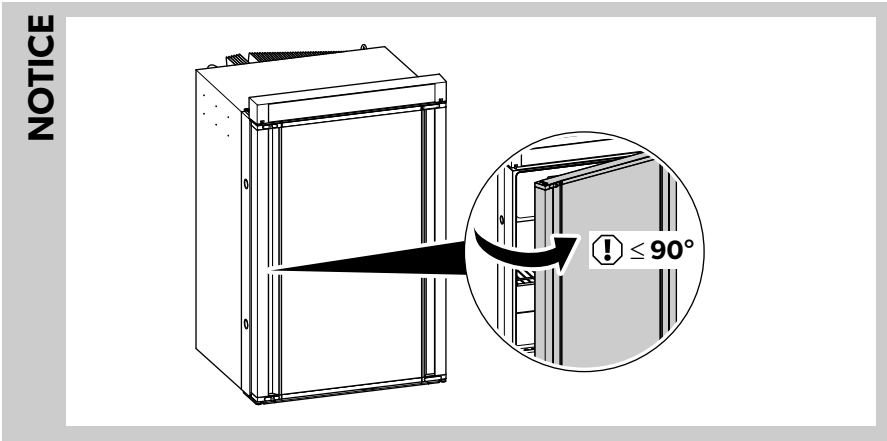


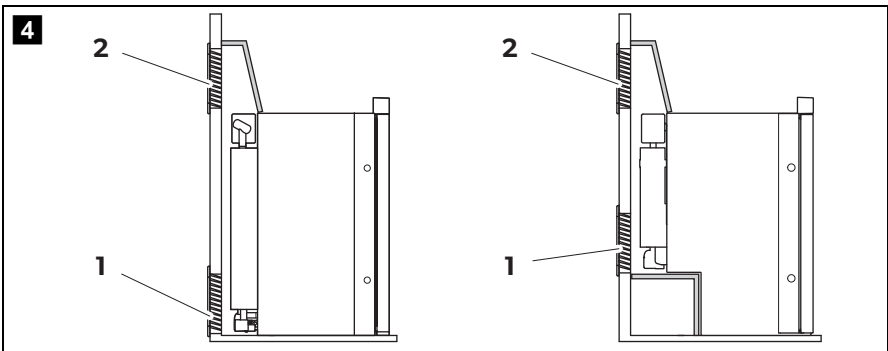
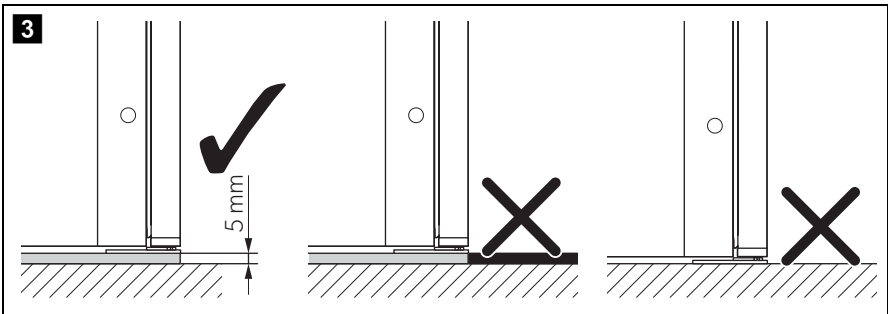
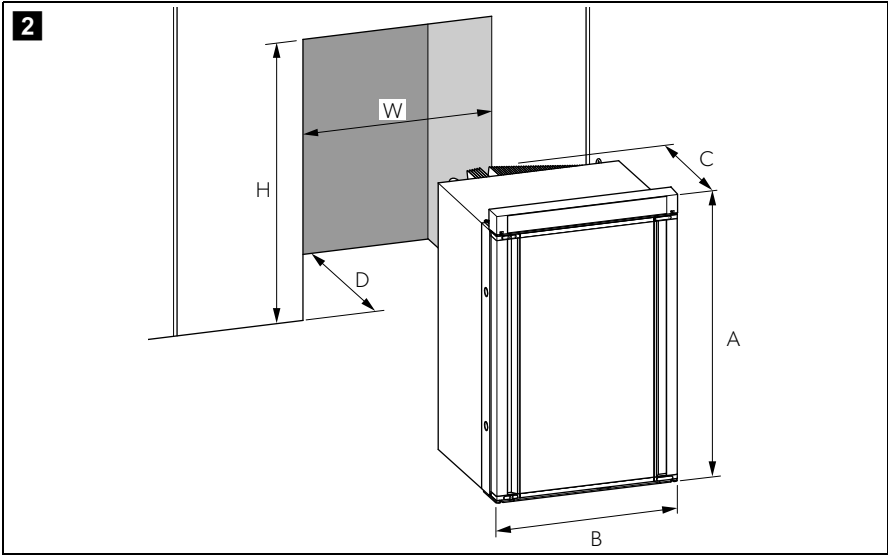
RM 10.5(S)(T), RMS 10.5(X)(S)(T)

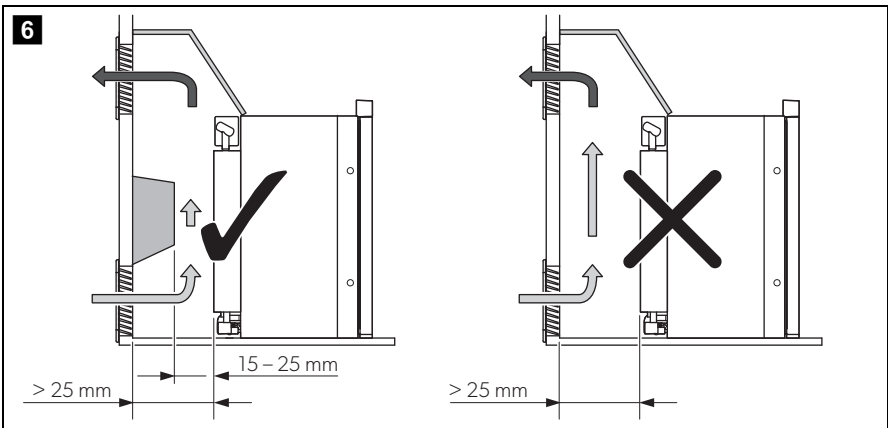
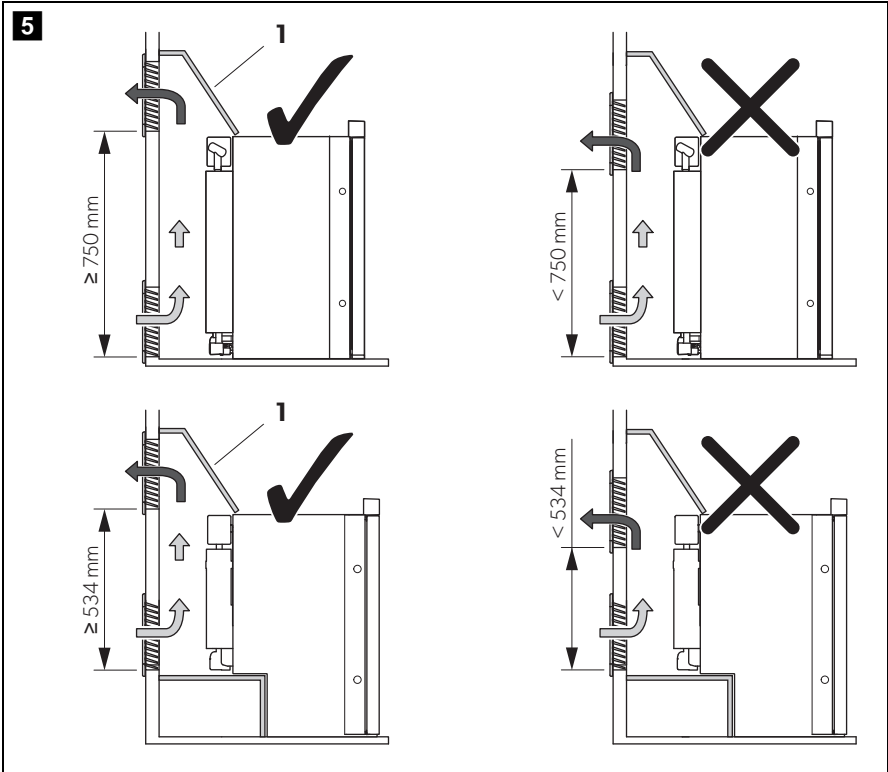
EN	Absorber refrigerator Installation Manual	15
DE	Absorber-Kühlschrank Montageanleitung	32
FR	Réfrigérateur à absorption Instructions de montage	50
ES	Nevera con extractor Instrucciones de montaje	69
PT	Frigorífico de absorção Instruções de montagem	88
IT	Frigorifero ad assorbimento Indicazioni di montaggio	107
NL	Absorptiekoelkast Montagehandleiding	125
DA	Absorber-køleskab Monteringsvejledning	142
SV	Absorptionskylskåp Monteringsanvisning	159
NO	Absorbsjons-kjøleskap Monteringsanvisning	176

FI	Absorptiojääkaappi Asennusohje	193
RU	Абсорбционный холодильник Инструкция по монтажу	210
PL	Lodówka absorpcyjna Instrukcja montażu	229
SK	Absorpčná chladnička Návod na montáž	248
CS	Absorpční ledničká Návod k montáži	265
HU	Abszorberes hűtőszekrény Szerelési útmutató	282
HR	Apsorpcijski hladnjak Upute za montažu	299
TR	Absorbsiyonlu buzdolabi Montaj Kılavuzu	316
SL	Absorpcijski hladilnik Navodilo za montažo	333
RO	Frigider cu absorbtie de gaz Instrucțiuni de montaj	350
BG	Абсорбирац хладилник Инструкция за монтаж	368
ET	Absorptsioonkülmik Paigaldusjuhend	387
EL	Ψυγείο υγραερίου/ρεύματος Οδηγίες τοποθέτησης	404
LT	Absorbcinis šaldytuvas Montavimo vadovas	424
LV	Absorbcijas ledusskapis Uzstādīšanas rokasgrāmata	441

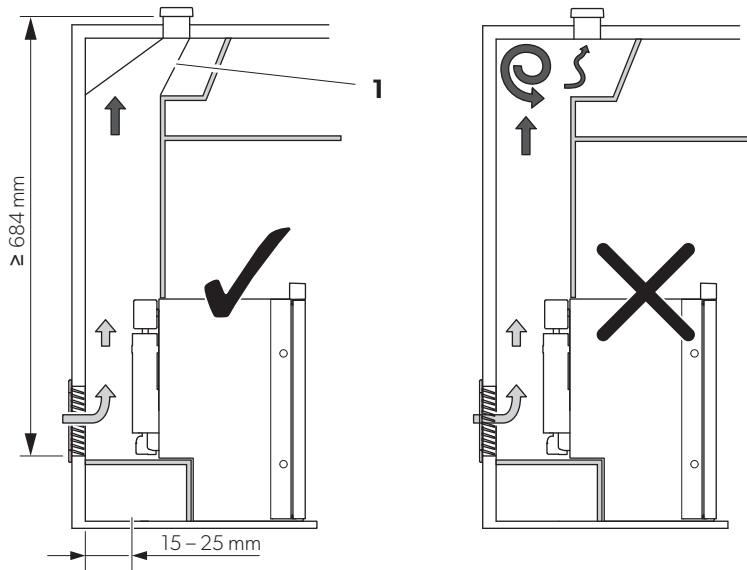
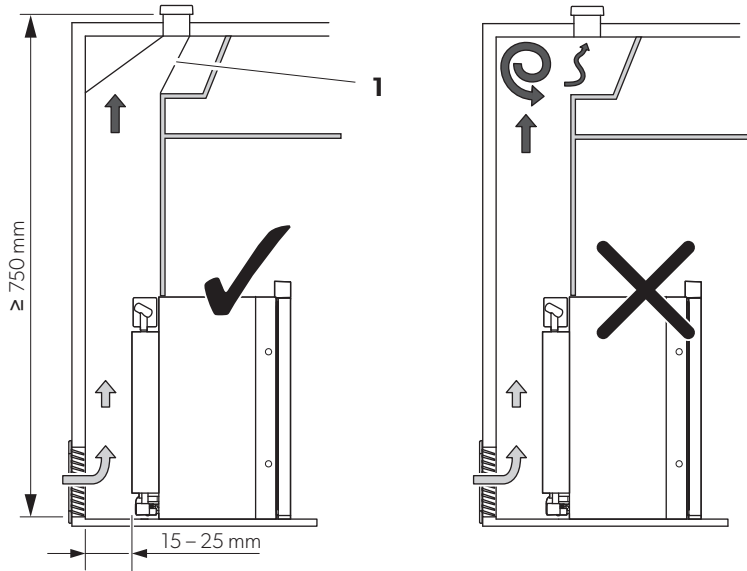
© 2023 Dometic Group. The visual appearance of the contents of this manual is protected by copyright and design law. The underlying technical design and the products contained herein may be protected by design, patent or be patent pending. The trademarks mentioned in this manual belong to Dometic Sweden AB. All rights are reserved.

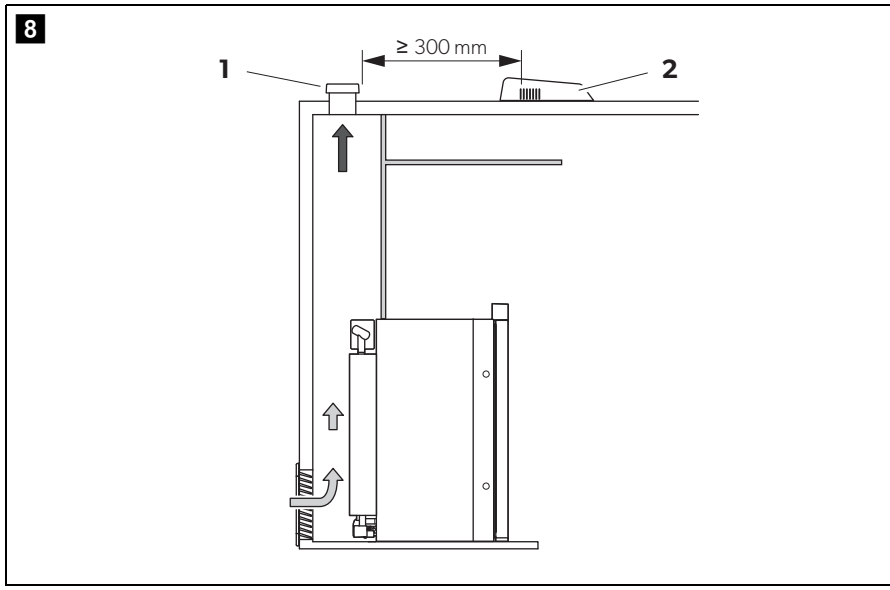


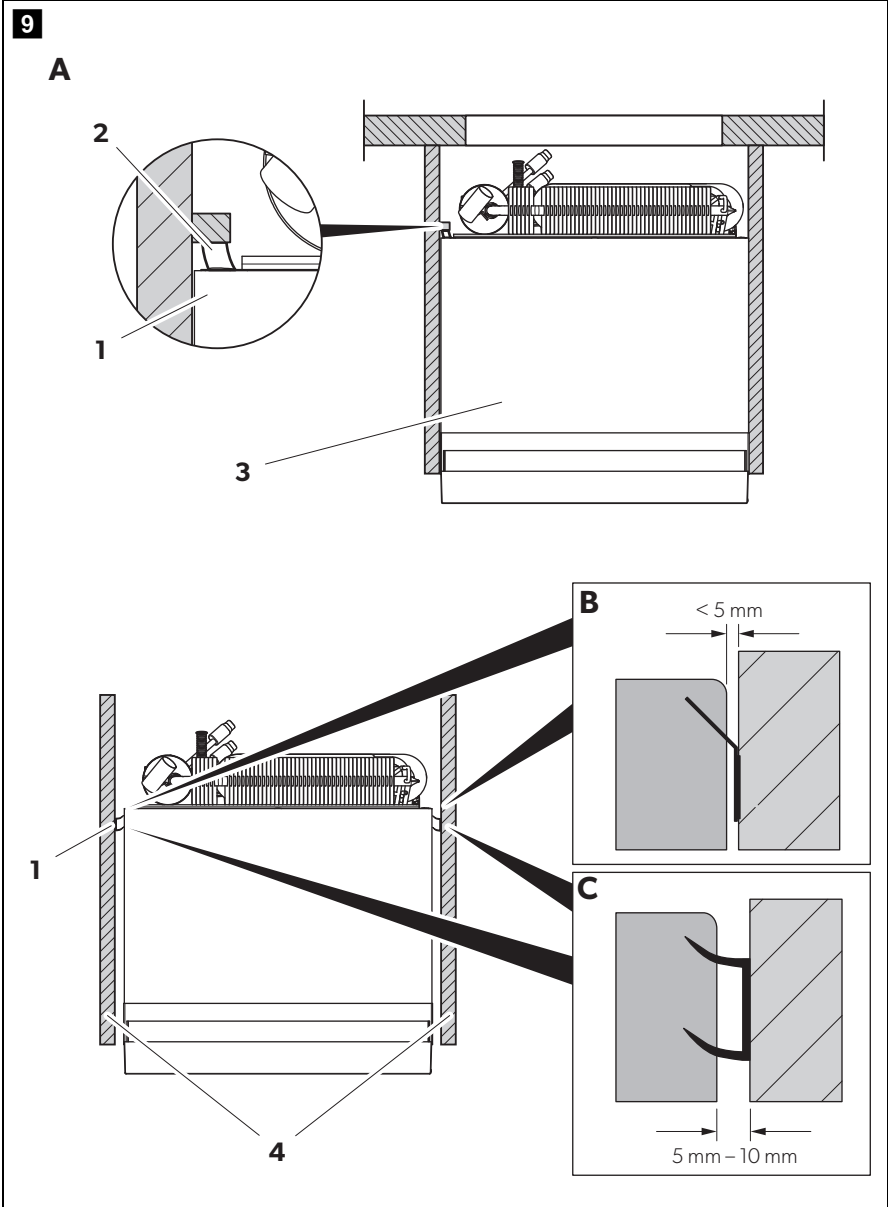


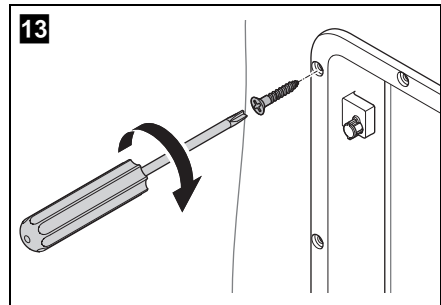
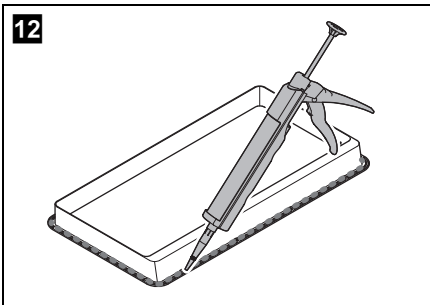
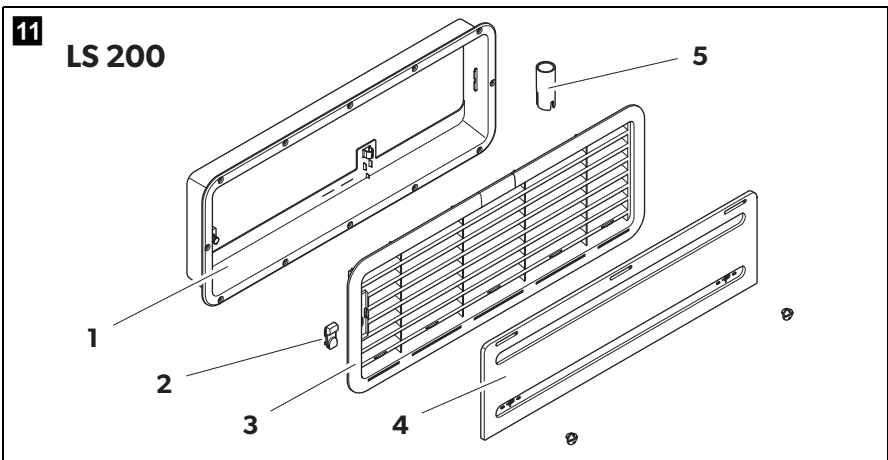
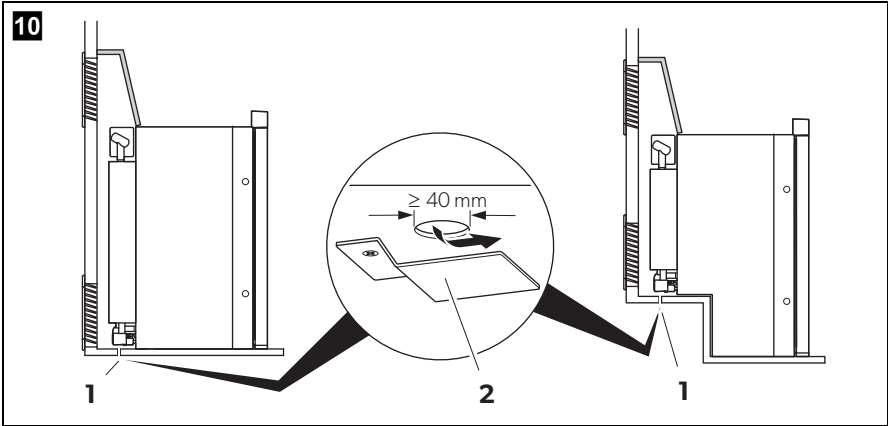


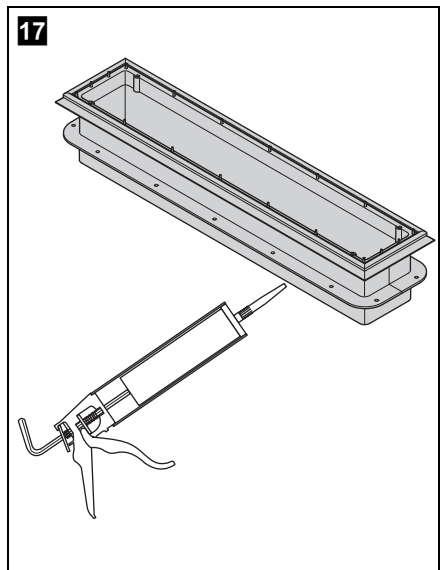
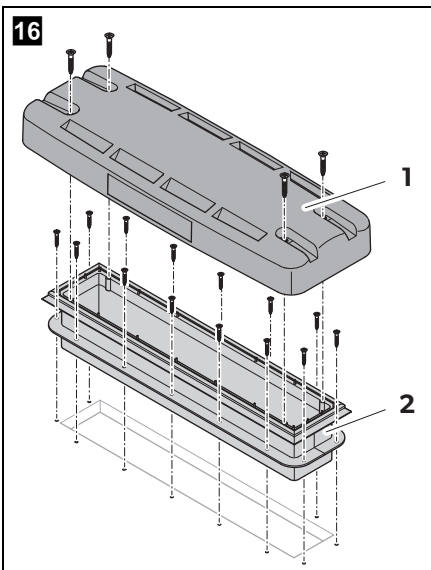
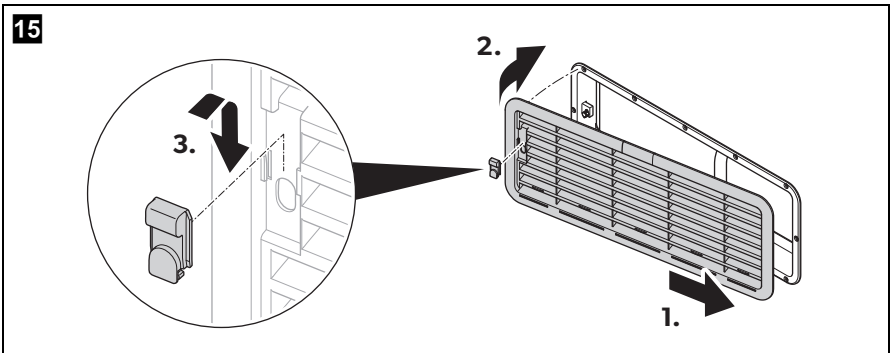
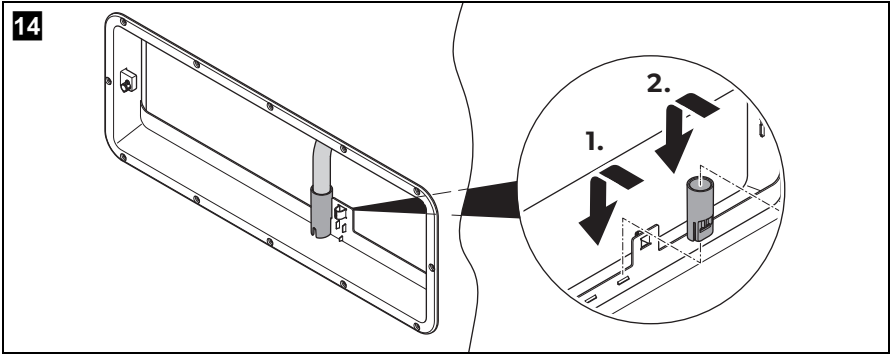
7

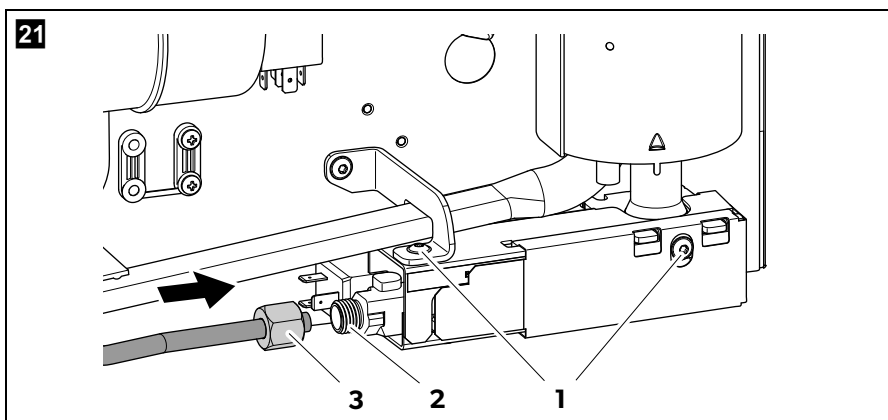
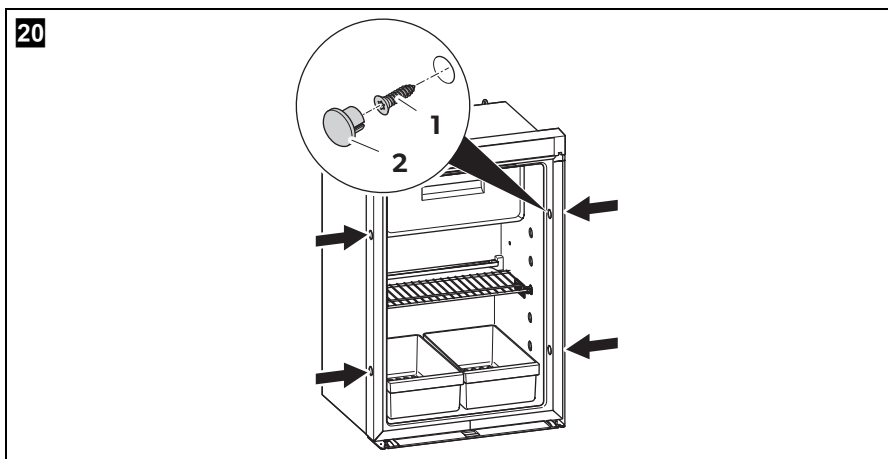
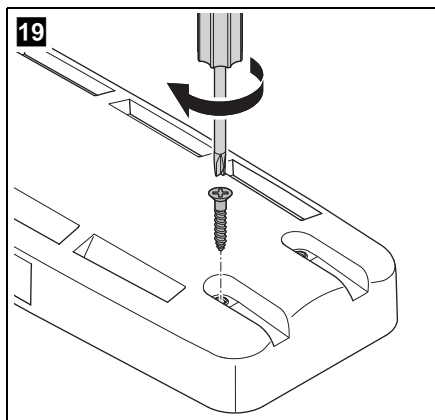
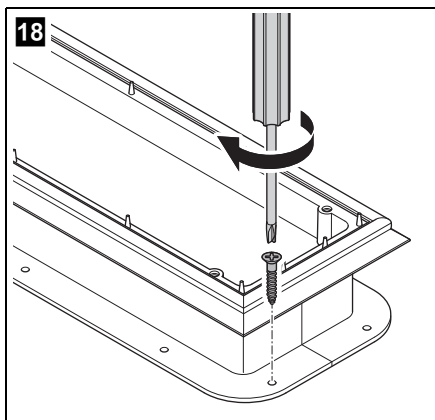


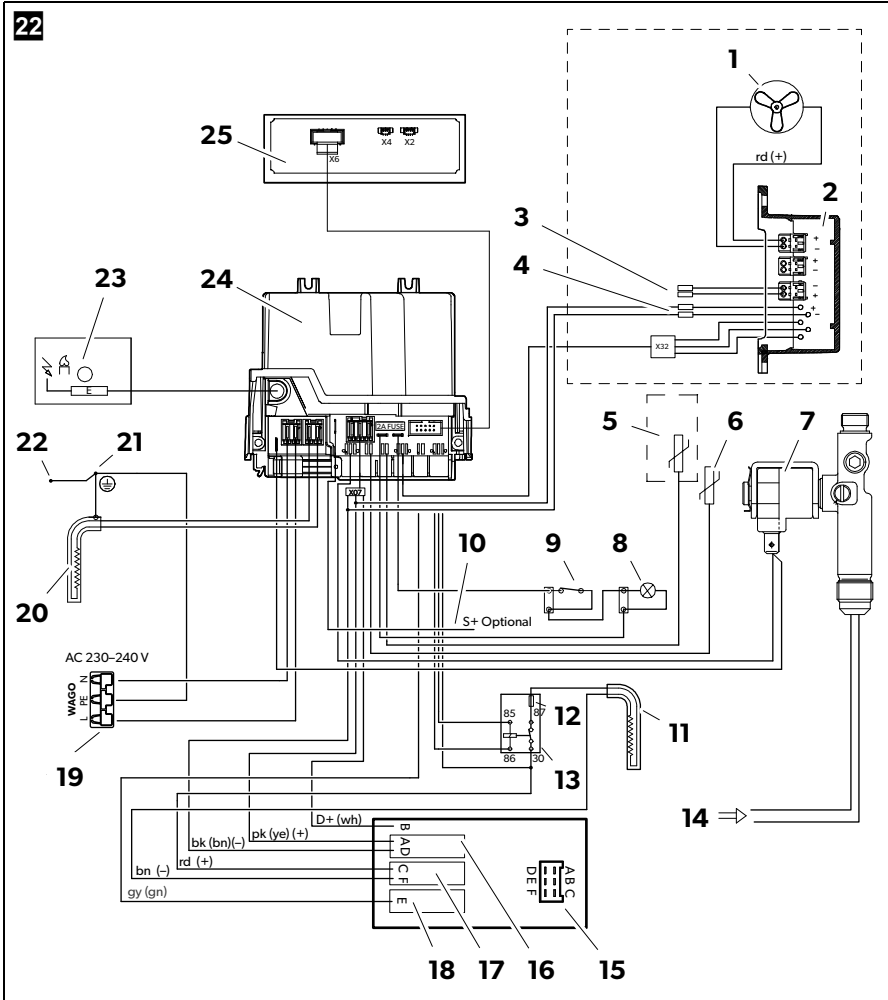








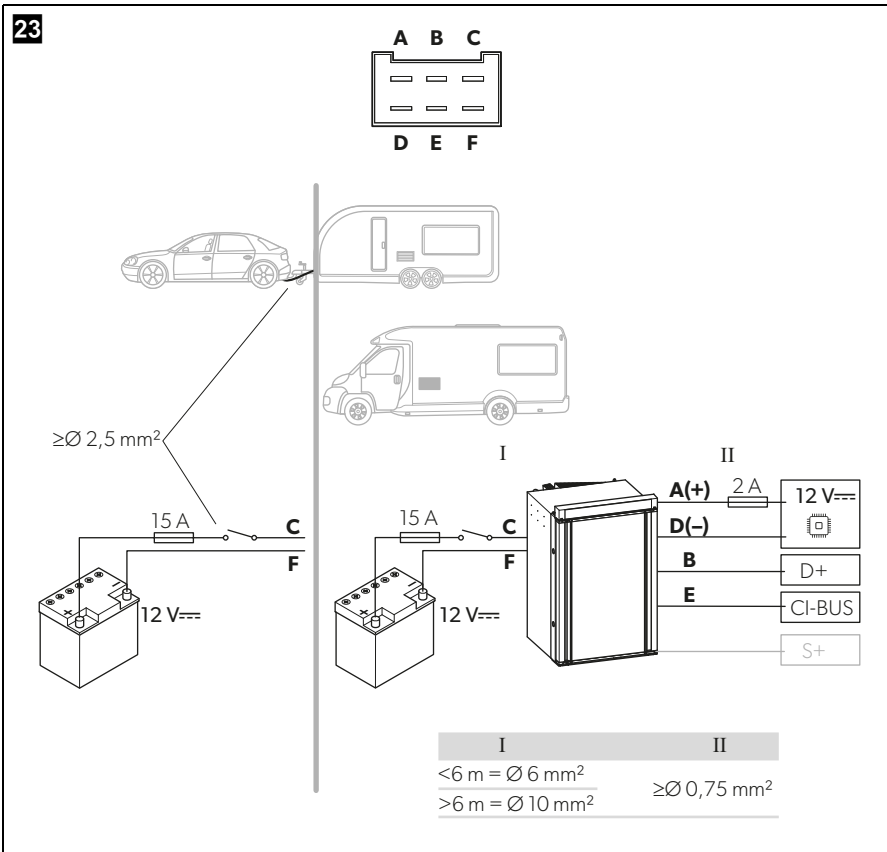




	bk	bn	bu	rd	pk	vt	wh
EN	Black	Brown	Blue	Red	Pink	Violet	White
DE	Schwarz	Braun	Blau	Rot	Pink	Violett	Weiß
FR	Noir	Marron	Bleu	Rouge	Rosa	Violeta	Blanc
ES	Negro	Marrón	Azul	Rojo	Rose	Lila	Blanco
PT	Preto	Castanho	Azul	Vermelho	Cor de rosa	Violeta	Branco
IT	Nero	Marrone	Blu	Rosso	Rosa	Violetto	Bianco

	bk	bn	bu	rd	pk	vt	wh
NL	Zwart	Bruin	Blauw	Rood	Roze	Paars	Wit
DA	Sort	Brun	Blå	Rød	Lyserøde	Violet	Hvid
SV	Svart	Brun	Blå	Röd	Rosa	Violett	Vit
NO	Svart	Brun	Blå	Rød	Rosa	Fiolett	Hvit
FI	Musta	Ruskea	Sininen	Punainen	Pinkki	Violetti	Valkoinen
RU	Черный	Коричневый	Синий	Красный	Розовый	Фиолетовый	Белый
PL	Czarny	Brązowy	Niebieski	Czerwony	Różowy	Fioletowy	Biały
SK	Čierna	Hnedá	Modrá	Červená	Ružová	Fialová	Biela
CS	Černá	Hnědá	Modrá	Červená	Růžová	Fialová	Bílá
HU	Fekete	Barna	Kék	Piros	Rózsaszín	Ibolya	Fehér
SL	Črna	Rjav	Moder	Rdeč	Roza	Vijolična	Bel
EL	Μαύρος	Καφέ	Μπλε	Κόκκινος	ροζ	βιολέτα	Άσπρος

23



Please read these instructions carefully and follow all instructions, guidelines, and warnings included in this product manual in order to ensure that you install, use, and maintain the product properly at all times. These instructions **MUST** stay with this product.

By using the product, you hereby confirm that you have read all instructions, guidelines, and warnings carefully and that you understand and agree to abide by the terms and conditions as set forth herein. You agree to use this product only for the intended purpose and application and in accordance with the instructions, guidelines, and warnings as set forth in this product manual as well as in accordance with all applicable laws and regulations. A failure to read and follow the instructions and warnings set forth herein may result in an injury to yourself and others, damage to your product or damage to other property in the vicinity. This product manual, including the instructions, guidelines, and warnings, and related documentation, may be subject to changes and updates. For up-to-date product information, please visit documents.dometic.com, [dometic.com](https://documents.dometic.com).



You find the detailed operating manual and information on the technical data online at
https://documents.dometic.com/?object_id=69924

Table of contents

1	Explanation of symbols	15
2	Safety instructions	16
3	Accessories	18
4	Intended use	19
5	Connecting the refrigerator	26
6	Disposal	30
7	Technical data	30

1 Explanation of symbols



WARNING!

Safety instruction: Indicates a hazardous situation that, if not avoided, could result in death or serious injury.



CAUTION!

Safety instruction: Indicates a hazardous situation that, if not avoided, could result in minor or moderate injury.



NOTICE!

Indicates a situation that, if not avoided, can result in property damage.

**NOTE**

Supplementary information for operating the product.

2 Safety instructions



WARNING! Failure to obey these warnings could result in death or serious injury.

Electrocution hazard

- Installation and removal of the refrigerator may only be carried out by qualified personnel.
- This refrigerator may only be repaired by qualified personnel. Improper repairs can result in considerable danger or damage to the refrigerator.
- If the power cable for this refrigerator is damaged, it must be replaced by the manufacturer, customer service or a similarly qualified person in order to prevent safety hazards.
- When positioning the refrigerator, ensure the supply cord is not trapped or damaged.
- Do not locate multiple portable socket-outlets or portable power supplies at the rear of the refrigerator.
- Plug the device to sockets that ensure proper connection especially when the device needs to be earthed.

Explosion hazard

- Never open the absorber unit. It is under high pressure and can cause injury if it is opened.
- Do not store any explosive substances, such as spray cans with propellants, in the refrigerator.
- **Only** operate the device at the pressure shown on the data plate. Only use pressure controllers with a fixed setting which comply with the national regulations (in Europe EN 12864).

Fire hazard

- Ensure clean and residue-free handling if silicon sealant or similar is used. There is a risk of fire if silicone filaments come into contact with hot parts or naked flames.
- Never use a naked flame to check the device for leaks.

- Only use propane or butane gas (**not** natural gas).
- The refrigerant in the refrigerant circuit is highly flammable and in the event of a leakage combustible gases could build up if the appliance is in a small room.
In the event of any damage to the refrigerant circuit (smell of ammonia):
 - Keep naked flames and potential ignition sources away from the refrigerator.
 - Ventilate the room well.
 - Switch off the refrigerator.

Health hazard

- Do not operate the device if it is visibly damaged.
- If the AC power cable for this device is damaged, it must be replaced by the manufacturer, a service agent or a similarly qualified person in order to prevent safety hazards.

Risk of child entrapment

- Make sure that the shelves are mounted and secured so that children cannot lock themselves in the refrigerator.
- Before disposing of your old refrigerator:
 - Dismantle the drawers.
 - Leave the shelves in the refrigerator so that children cannot climb inside.



CAUTION! Failure to obey these cautions could result in minor or moderate injury.

Electrocution hazard

- Before starting the device, ensure that the power supply line and the plug are dry.

Risk of crushing

- Do not put your fingers into the hinge.

Health hazard

- To avoid a hazard due to instability of the refrigerator, it must be fixed in accordance with the installation instructions.
- Do not open or damage the refrigerant circuit under any circumstances.



NOTICE! Damage hazard

- Only hold the device at the body of the device during transport. Never hold the device at the absorber unit, the cooling fins, the gas pipes, the door or the control panel.
- Do not install the device near naked flames or other heat sources (heaters, direct sunlight, gas ovens etc.).
- **Danger of overheating!**
Always ensure sufficient ventilation so that the heat generated during operation can dissipate. Make sure that the device is sufficiently far away from walls and other objects so that the air can circulate.
- Check that the voltage specification on the data plate is the same as that of the power supply.
- Only use the AC connection cable supplied to connect the device to the AC mains.
- Only use cables with a suitable size.
- Never pull the plug out of the socket by the connection cable.
- The device may not be exposed to rain.

3 Accessories

Description

Flexible gas piping

Seal for draft-proof installation for gaps of 1 – 5 mm (fig. **9 B**, page 7)

Seal for draft-proof installation for gaps of 5 – 10 mm (fig. **9 C**, page 7)

Winter cover WA 130 for the ventilation grille LS 200

Adapter cable

- WAGO to CEE
- WAGO to UK
- WAGO to JST
- WAGO to MATE-N-LOK

Optional Fan Kit REF-FANKIT

Optional Battery pack Pack R10-BP for stand-alone gas operation

Optional storage kit

4 Intended use

The refrigerator is suitable for:

- Installation in caravans and motor homes
- Cooling, deep-freezing and storing food

The refrigerator is not suitable for:

- Storing medications
- Storing corrosive substances or substances that contain solvents
- Quick-freezing food

The refrigerator is intended for installation in a piece of cabinetry or an installation niche.

This refrigerator is not intended to be used in household applications.

The frozen compartment is suitable for storing pre-frozen food, storing or making ice cream and making ice cubes. It is not suitable for freezing previously unfrozen food.

This product is only suitable for the intended purpose and application in accordance with these instructions.

This manual provides information that is necessary for proper installation and/or operation of the product. Poor installation and/or improper operating or maintenance will result in unsatisfactory performance and a possible failure.

The manufacturer accepts no liability for any injury or damage to the product resulting from:

- Incorrect assembly or connection, including excess voltage
- Incorrect maintenance or use of spare parts other than original spare parts provided by the manufacturer
- Alterations to the product without express permission from the manufacturer
- Use for purposes other than those described in this manual

Dometic reserves the right to change product appearance and product specifications.

This product is only suitable for the intended purpose and application in accordance with these instructions.

This manual provides information that is necessary for proper installation and/or operation of the product. Poor installation and/or improper operating or maintenance will result in unsatisfactory performance and a possible failure.

The manufacturer accepts no liability for any injury or damage to the product resulting from:

- Incorrect assembly or connection, including excess voltage
- Incorrect maintenance or use of spare parts other than original spare parts provided by the manufacturer
- Alterations to the product without express permission from the manufacturer
- Use for purposes other than those described in this manual

Dometic reserves the right to change product appearance and product specifications.

Installing the refrigerator



CAUTION! Health hazard

To avoid a hazard due to instability of the device, it must be fixed in accordance with the instructions.



You find the instructions manual for changing the door stop and the decorative plate online at <https://dometic.com/manuals>

4.1 Preparing the installation



NOTICE!

- The refrigerator may not be installed in the rear of mobile homes with the door pointing in the direction of travel.
- Use exclusively original Dometic ventilation grilles to ensure safe operation.

When installing the refrigerator, note the following:

- Ensure that the floor is solid and level.
Park the vehicle horizontally for this purpose.
- Ensure that the refrigerator is level.
- The refrigerator must be installed so that
 - it is easily accessible for service work
 - easy to de-install and install
 - can be easily removed from the vehicle

- The refrigerator must be installed in a recess so that it stands secure when the vehicle is in motion. Note the following dimensions (fig. **1**, page 3 and fig. **2**, page 4):

	RM10.5(S)(T)	RMS10.5(S)(T)	RMS10.5X(S)(T)
Refrigerator	Overall dimension in mm		
Height (A)	821	821	821
Width (B)	523	523	523
Depth (C) (excludes control knob 5 mm)	548	548	603
Recess	Dimension in mm		
Height (H)	≥829	≥829	≥829
Width (W)	≥525.5	≥525.5	≥525.5
Depth (D)	≥563	≥563	≥618

- The refrigerator must be installed with a minimum distance of 5 mm from the floor to ensure that the door can be opened properly (fig. **3**, page 4).
 - Avoid placing the refrigerator directly on the floor.
 - Make sure that no carpets interfere with the free movement of the door.
- The outer wall must be fitted with an air inlet vent (fig. **4** 1, page 4) and an outlet vent (fig. **4** 2, page 4) with ventilation grilles so that the heat generated can be easily released to the outside:
 - Air inlet vent: Fit ventilation grille as flush as possible with the base of the installation niche.
 - Outlet vent: fit as far above the refrigerator as possible.
 - The distance between the air inlet and outlet vents must be at least 750 mm for RM10.5 and 534 mm for RMS10.5 (fig. **5**, page 5).
- Fit a heat conduction plate (fig. **5** 1, page 5) above the refrigerator so that the heat does not accumulate in the vehicle.
- The distance between the refrigerator and the rear wall must be at least 15 mm but no more than 25 mm.
- A distance of more than 25 mm between the refrigerator and rear wall leads to poor performance and increases the power consumption of the refrigerator. Reduce the space behind the refrigerator to create adequate air inlet and outlet ventilation (fig. **6**, page 5). Use a ventilation plate, for example, to do this.

- If the minimum distance between the air inlet and outlet vents cannot be met, a roof vent must be installed instead of the air outlet vent.
 - The roof vent should be installed directly above the back of the refrigerator as far as this is possible. Use an air duct (fig. **7** 1, page 6) if you need to install the roof vent offset; otherwise, heat will accumulate there.
 - The distance between the air inlet vent and the roof vent must be at least 750 mm for RM10.5 and 534 mm for RMS10.5 (fig. **7**, page 6).
 - If a roof air conditioner is provided, the distance between the roof vent (fig. **8** 1, page 7) and the air outlet of the roof air conditioner (fig. **8** 2, page 7) must be at least 300 mm.
- The refrigerator must not be installed at the side of the air inlet and outlet vents as this leads to poor performance and increases the power consumption of the refrigerator.
- The air inlet and outlet vents must not be covered by vehicle parts (such as an open door or by installing accessories such as bicycle racks) while operating.
- Install the refrigerator so that it is protected from excessive heat, as this leads to poor performance and increases the power consumption of the refrigerator.
- The refrigerator must be installed in a draft-proof location.

4.2 Installing the refrigerator in a draft-proof location



WARNING! Fire hazard!

Do not use flammable materials such as silicone sealants, foam or similar for the draft-proof installation.

Gas-powered refrigerators in caravans or motor homes must be installed in a draft-free location. This means that the combustion air is not extracted from the interior and the exhaust fumes are prevented from directly entering the living space.

A suitable seal must be fitted between the rear panel of the refrigerator and the interior of the vehicle.

The manufacturer recommends using a flexible seal to ease removal and installation for maintenance purposes.

Select one of the three versions for draft-proof installation (fig. **9**, page 8):

Stop bar behind the fridge (A)

1. Glue a flexible sealing lip (**1**) to a stop bar (**2**) behind the refrigerator (**3**).
 2. Push the refrigerator against the stop bar with the flexible sealing lips.
- ✓ The space behind the refrigerator is sealed to the interior of the vehicle.

Side gap distance of up to 5 mm between refrigerator and furniture (B)

1. Glue the sealing lips (see chapter "Accessories" on page 18) on the side of the furniture (4).
 2. Push the refrigerator against the flexible sealing lips on furniture.
- ✓ The space behind the refrigerator is sealed to the interior of the vehicle.

Side gap distance of 5 mm to 10 mm between refrigerator and furniture (C)

1. Glue the double lipped sealing (see chapter "Accessories" on page 18) on the side of the furniture (4).
 2. Push the refrigerator against the double lipped sealing on furniture.
- ✓ The space behind the refrigerator is sealed to the interior of the vehicle.

4.3 Making air inlet and outlet vents



NOTE

- Deviations from the inlet and outlet variations shown here must be approved by the manufacturer.
- At high ambient temperatures, the refrigerator can only provide its maximum cooling capacity if the optimum ventilation has been provided.

- Make an air inlet vent and an air outlet vent in the outer wall with the size of 451 mm x 156 mm.

When doing so, observe the information, see chapter "Preparing the installation" on page 20.

If the ventilation grille of the air inlet vent cannot be installed flush with the floor of the niche, install an inlet vent in the floor. Any leaking gas can thus flow downwards.

1. Make an air inlet vent of at least \varnothing 40 mm in the floor (fig. 10 1, page 9) behind the refrigerator near the gas burner.
2. Shield the outside of the opening with a deflector to prevent sludge or dirt from getting inside while driving (fig. 10 2, page 9).

If you have to use a roof vent instead of the air outlet vent:

- ▶ Cut out a section in the roof. Refer to the roof vent instruction manual for the required dimensions.
When doing so, observe the information in chapter “Preparing the installation” on page 20.

4.4 Installing the ventilation grille



NOTE

Use exclusively original Dometic ventilation grilles to ensure safe operation.

No. in fig. 11 , page 9	Description
1	Installation frame
2	Ventilation grille
3	Slider
4	Winter cover for the ventilation grille (accessories)
5	Adapter for the condensation drain hose

1. Seal the installation frame to make the connection waterproof (fig. **12**, page 9).
2. Insert the installation frame and screw it down tightly (fig. **13**, page 9). Use all the fixing holes for this.
3. Install the hose adapter as shown (fig. **14** 1, page 10).
4. Insert the ventilation grille as shown (fig. **15**, page 10).

4.5 Installing condensation drain



NOTE

- Condensation can form inside the refrigerator due to frequent door opening, incorrectly stored food or food that is stored when it is too warm.
- Condensation must be drained with a constant slope.

Install the condensation drain as follows:

- ▶ Attach the condensation hose directly to the adapter on the ventilation grille (fig. **14** 2, page 10).

4.6 Install the roof vent

No. in fig. 16, page 10	Description
1	Hood
2	Installation frame

1. Seal the installation frame to make the connection waterproof (fig. 17, page 10).
2. Insert the installation frame and screw it down tightly (fig. 18, page 11). Use all the fixing holes for this.
3. Insert the hood and screw it down tightly (fig. 19, page 11).

4.7 Securing the refrigerator



CAUTION!

Only screw through the receptacles provided, otherwise foamed components, such as cables, can be damaged.



NOTE

Attach the side walls or the attached strips so that the screws are tight, even when under increased loads (while driving).

1. Move the refrigerator into its final location.
2. Fasten the screws (fig. 20 1, page 11) through the plastic jacket in the sides of the refrigerator, and further into the wall.
3. Put the caps (fig. 20 2, page 11) onto the screw heads.

5 Connecting the refrigerator

5.1 Connecting to the gas supply



WARNING! Failure to obey these warnings could result in death or serious injury. Health hazard

- This refrigerator may only be connected to the gas supply by a specialist in accordance with the applicable national guidelines and standards.
- A hose connection is **not** permitted.
- Use a metal-sealed screw connection.
- The gas filter (white) in the refrigerator gas connection must not be removed.
- Only use cylinders of propane or butane gas (not natural gas or city gas) with an approved pressure reduction valve and suitable head. Compare the pressure information on the type plate with the pressure information on the pressure regulator on the propane or butane gas cylinder.
- **Only** operate the refrigerator at the pressure shown on the type plate.
- **Only** operate the refrigerator with the type of gas shown on the type plate.
- Please note the pressures which are permitted in your country. Only use pressure controllers with a fixed setting which comply with the national regulations.



NOTE

Optionally, you can use the Dometic flexible gas connection pipe to keep the installation tensionless.

It must be possible to shut off the refrigerator from the gas line separately by means of a shut-off device. The shut-off device must be easily accessible.

1. Connect the refrigerator securely by hand to the gas supply (fig. **21**, page 11).



WARNING! Explosion hazard

It is very important that you keep the following tightening torques:

Item in fig. 21, page 11	Description
1	Screw M4 (Torx TX20), Tightening torque: 2 Nm
2	Refrigerator gas connection: M14 x 1.5 (d = 8 mm/ISO 8434 (DIN 2353))
3	Gas pipe with ring coupling (size 17), Tightening torque: 25 Nm

2. Have a leak test and a flame test performed by an authorized specialist after professional installation.

Ensure you are issued with a certificate of inspection and hand this certificate to the end user for safekeeping.

5.2 Connecting to DC and AC



WARNING! Failure to obey these warnings could result in death or serious injury. Electrocution hazard

The electrical installation and repairs may only be performed by a specialist in accordance with the applicable national regulations and standards.



NOTE

- The device plug must not be placed directly behind the ventilation grille in order to prevent the air circulation from being impaired and to protect the device plug from splashes of water.
- The device plug of the AC connection cable must not be cut off.
- The connection cables must be laid so that they do not come in contact with hot parts of the unit/burner or with sharp edges.
- Changes to the internal electrical installation or the connection of other electrical components (e.g. extra third party fans) to the internal wiring of the refrigerator will void any claims from the guarantee and product liability.
- The refrigerators RM10.5 and RMS10.5 have a CI bus interface and can be controlled through a compatible central vehicle display.

Circuit diagram of the refrigerator (fig. 22, page 12)

Item in fig. 22, page 12	Description
1	Fan 1 (if options module is available)
2	Options module (optional)
3	DC supply oven (if options module is available)
4	DC supply power module
5	NTC 2: Outside temperature (optional)
6	NTC 1: Fresh food temperature sensor
7	Gas valve
8	Lighting
9	Reed switch
10	S+ (optional)
11	Heating element DC
12	15 A fuse
13	DC relay for heating cartridge
14	Gas inlet
15	DC connection block
16	DC supply cable electronics
17	DC supply cable heating element
18	CI-Bus connection
19	AC power supply
20	Heating element AC
21	Ground
22	AC protection Earth
23	Ignition electrode
24	Power module
25	Display module

DC power**WARNING! Fire hazard**

- The supply line to the heating element must be protected with a 15 A fuse.
- The supply line to the electronics must be protected with a 2 A fuse.

**NOTICE!**

The respective positive and negative supply lines of the DC connections for electronics (fig. **22** 16, page 12) and heating element (fig. **22** 17, page 12) may **not** be joined with one another and carried on a single wire. This can cause electrical interference or damage to electrical components.

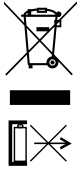
Please note the following cable sizes (fig. **23**, page 14):

- Connections heating element:
 - <6 m (in the interior): $\geq 6 \text{ mm}^2$
 - >6 m (in the interior): $\geq 10 \text{ mm}^2$
 - Cable fed via drawbar (caravans only): $\geq 2.5 \text{ mm}^2$
 - Connections electronics: $\geq 0.75 \text{ mm}^2$
 - Connections D+ and S+: $\geq 0.75 \text{ mm}^2$
1. Assemble your DC socket as follows (fig. **22**, page 12):
 - Connect **A** and **C** to the positive pole of the battery.
 - Connect **D** and **F** to Connect D and F to ground.
 - Connect **B** to the D+ signal.
The electronics of the refrigerator uses the signal D+ of the alternator to detect the running engine. In automatic mode, the refrigerator selects the most favorable mode available. The refrigerator is only operated with direct current when the vehicle engine is running.
 - Connect **E** to the CI-BUS.
 2. Connect **10** with the S+ signal (optional).
 3. Protect the supply line **A** with a 2 A fuse in the power distribution box of the vehicle.
 4. Protect the supply line **C** with a 15 A fuse in the power distribution box of the vehicle.
 5. Run the supply line **C** via an ignition-controlled relay.
This prevents the battery from completely discharging if the engine is switched off accidentally.

AC power

- Connect the refrigerator to an AC socket using the device plug.

6 Disposal

Recycling products with non-replaceable batteries, rechargeable batteries or light sources


- If the product contains any non-replaceable batteries, rechargeable batteries or light sources, you don't have to remove them before disposal.
- If you wish to finally dispose of the product, ask your local recycling center or specialist dealer for details about how to do this in accordance with the applicable disposal regulations.
- The product can be disposed free of charge.

Recycling packaging material

- Place the packaging material in the appropriate recycling waste bins wherever possible.

7 Technical data

	RM10.5(S)(T)	RMS10.5(S)(T)	RMS10.5X(S)(T)
Connection voltage:	230 V~ /50 Hz 12 V===		
Capacity			
Gross capacity:	88 l	78 l	92 l
Refrigerator compartment:	78.7 l	69.1 l	80.3 l
Freezer compartment:	9.2 l	9.2 l	12.1 l
Total net capacity:	86 l	76 l	90 l
Excluding freezer compartment			
Gross capacity:	93 l	83 l	98 l
Net capacity:	91 l	81 l	96 l
Power input:	135 W (230 V~) 130 W (12 V===)		
Energy consumption:	2.8 kWh/24 h (230 V~)	2.5 kWh/24 h (230 V~)	3.2 kWh/24 h (230 V~)
Gas consumption:	270 g/24 h		

	RM10.5(S)(T)	RMS10.5(S)(T)	RMS10.5X(S)(T)
Gas connecting pressure:	30 mbar		
Climate class:	SN		
Dimensions H x W x D:	821 x 523 x 548 mm		821 x 523 x 603 mm
Weight:	28 kg	27.4 kg	29 kg
Inspection/certification:			

For the current EU declaration of conformity for your device please refer to the respective product page on dometic.com or contact the manufacturer directly (see dometic.com/dealer).

Further product information can be accessed via QR code on the energy label on the product or via eprel.ec.europa.eu.

Lesen und befolgen Sie bitte alle Anweisungen, Richtlinien und Warnhinweise in diesem Produkthandbuch sorgfältig, um sicherzustellen, dass Sie das Produkt ordnungsgemäß installieren und stets ordnungsgemäß betreiben und warten. Diese Anleitung MUSS bei dem Produkt verbleiben.

Durch die Verwendung des Produktes bestätigen Sie hiermit, dass Sie alle Anweisungen, Richtlinien und Warnhinweise sorgfältig gelesen haben und dass Sie die hierin dargelegten Bestimmungen verstanden haben und ihnen zustimmen. Sie erklären sich damit einverstanden, dieses Produkt nur für den angegebenen Verwendungszweck und gemäß den Anweisungen, Richtlinien und Warnhinweisen dieses Produkthandbuchs sowie gemäß allen geltenden Gesetzen und Vorschriften zu verwenden. Eine Nichtbeachtung der hierin enthaltenen Anweisungen und Warnhinweise kann zu einer Verletzung Ihrer selbst und anderer Personen, zu Schäden an Ihrem Produkt oder zu Schäden an anderem Eigentum in der Umgebung führen. Dieses Produkthandbuch, einschließlich der Anweisungen, Richtlinien und Warnhinweise, sowie die zugehörige Dokumentation können Änderungen und Aktualisierungen unterliegen. Aktuelle Produktinformationen finden Sie unter documents.dometic.com, [dometic.com](https://documents.dometic.com).



Eine detaillierte Bedienungsanleitung sowie Informationen zu den technischen Daten finden Sie online unter https://documents.dometic.com/?object_id=69924

Inhaltsverzeichnis

1	Erläuterung der Symbole	32
2	Sicherheitshinweise	33
3	Zubehör	35
4	Bestimmungsgemäßer Gebrauch	36
5	Kühlschrank anschließen	44
6	Entsorgung	48
7	Technische Daten	48

1 Erläuterung der Symbole



WARNUNG!

Sicherheitshinweis: Kennzeichnet eine Gefahrensituation, die zum Tod oder schwerer Verletzung führen könnte, wenn die jeweiligen Anweisungen nicht befolgt werden.



VORSICHT!

Sicherheitshinweis: Kennzeichnet eine Gefahrensituation, die zu geringer oder mittelschwerer Verletzung führen könnte, wenn die jeweiligen Anweisungen nicht befolgt werden.

**ACHTUNG!**

Kennzeichnet eine Situation, die zu Sachschäden führen kann, wenn die jeweiligen Anweisungen nicht befolgt werden.

**HINWEIS**

Ergänzende Informationen zur Bedienung des Produktes.

2 Sicherheitshinweise



WARNUNG! Nichtbeachtung dieser Warnungen kann zum Tod oder schwerer Verletzung führen.

Gefahr durch Stromschlag

- Montage und Demontage des Kühlschranks dürfen nur durch qualifiziertes Fachpersonal erfolgen.
- Reparaturen an diesem Kühlschrank dürfen nur von Fachkräften durchgeführt werden. Durch unsachgemäße Reparaturen können erhebliche Gefahren bzw. Schäden am Kühlschrank entstehen.
- Wenn das Anschlusskabel dieses Kühlschranks beschädigt wird, muss es durch den Hersteller, seinen Kundendienst oder eine ähnlich qualifizierte Person ersetzt werden, um Gefährdungen zu vermeiden.
- Achten Sie beim Aufstellen des Kühlschranks darauf, dass das Stromversorgungskabel nicht eingeklemmt oder beschädigt wird.
- Platzieren Sie keine Steckdosenleisten oder tragbare Stromversorgungen hinter dem Kühlschrank.
- Schließen Sie das Gerät an eine Steckdose an, die einen geeigneten Anschluss sicherstellt, insbesondere wenn das Gerät geerdet werden muss.

Explosionsgefahr

- Öffnen Sie niemals das Absorberaggregat. Es steht unter hohem Druck und kann Verletzungen verursachen, wenn es geöffnet wird.
- Lagern Sie keine explosionsfähigen Stoffe wie z. B. Sprühdosen mit brennbarem Treibgas im Kühlschrank.
- **Das Gerät darf ausschließlich** mit dem auf dem Typenschild angegebenen Druck betrieben werden. Verwenden Sie nur festeingestellte Druckregler, die den nationalen Vorschriften entsprechen (in Europa EN 12864).

Brandgefahr

- Achten Sie auf eine saubere und rückstandsfreie Verarbeitung, wenn Silikon-Dichtungsmasse o. Ä. verwendet wird. Kommen Silikonfäden mit heißen Teilen oder offenen Flammen in Berührung, besteht Brandgefahr.
- Prüfen Sie das Gerät niemals mit einer offenen Flamme auf Undichtigkeit.
- Verwenden Sie nur Propan- oder Butangas (**kein** Erdgas).
- Das Kühlmittel im Kühlkreislauf ist leicht entflammbar. Wenn sich das Gerät in einem kleinen Raum befindet, können sich im Fall eines Lecks brennbare Gase ansammeln.
Bei einer Beschädigung des Kühlkreislaufs (Ammoniakgeruch):
 - Halten Sie offene Flammen und potentielle Zündquellen vom Kühlschrank fern.
 - Lüften Sie den Raum gut.
 - Schalten Sie den Kühlschrank aus.

Gesundheitsgefahr

- Wenn das Gerät sichtbare Beschädigungen aufweist, dürfen Sie es nicht in Betrieb nehmen.
- Wenn das Wechselstrom-Anschlusskabel dieses Geräts beschädigt wird, muss es durch den Hersteller, einen Kundendienstmitarbeiter oder eine ähnlich qualifizierte Person ersetzt werden, um Gefährdungen zu vermeiden.

Gefahr des Einschließens von Kindern

- Stellen Sie sicher, dass die Tragroste so montiert und gesichert sind, dass sich Kinder nicht selbst im Kühlschrank einschließen können.
- Vor der Entsorgung Ihres alten Kühlschranks:
 - Bauen Sie die Schublade aus.
 - Belassen Sie die Ablagen im Kühlschrank, damit Kinder nicht hineinsteigen können.



VORSICHT! Nichtbeachtung dieser Hinweise kann zu leichten bis mittelschweren Verletzungen führen.

Gefahr durch Stromschlag

- Achten Sie vor der Inbetriebnahme darauf, dass Zuleitung und Stecker trocken sind.

Quetschgefahr

- Fassen Sie nicht in das Scharnier.

Gesundheitsgefahr

- Um Gefahren aufgrund eines instabilen Stands des Kühlschranks zu vermeiden, muss er entsprechend den Anweisungen fixiert werden.
- Öffnen oder beschädigen Sie auf keinen Fall den Kühlkreislauf.

**ACHTUNG! Beschädigungsgefahr**

- Halten Sie das Gerät beim Transport nur am Gerätekörper fest. Halten Sie das Gerät niemals am Absorberaggregat, den Kühlrippen, den Gasleitungen, der Tür oder dem Bedienfeld fest.
- Bauen Sie das Gerät nicht in der Nähe von offenen Flammen oder anderen Wärmequellen (Heizung, Gasöfen usw.) ein.
- **Überhitzungsgefahr!**
Achten Sie stets darauf, dass beim Betrieb entstehende Wärme ausreichend abgeführt werden kann. Sorgen Sie dafür, dass das Gerät in ausreichendem Abstand zu Wänden oder Gegenständen steht, sodass die Luft zirkulieren kann.
- Prüfen Sie, ob die Spannungsangabe auf dem Typenschild mit der vorhandenen Netzspannung übereinstimmt.
- Schließen Sie das Gerät nur mit dem zugehörigen Wechselstrom-Anschlusskabel an die Wechselstromsteckdose an.
- Verwenden Sie nur Kabel mit passendem Leitungsquerschnitt.
- Ziehen Sie den Stecker nie am Anschlusskabel aus der Steckdose.
- Das Gerät darf keinem Regen ausgesetzt werden.

3 Zubehör

Beschreibung

Flexible Gasleitung

Dichtung für zugluftsicheren Einbau bei einem Spalt von 1 – 5 mm (Abb. **9 B**, Seite 7)

Dichtung für zugluftsicheren Einbau bei einem Spalt von 5 – 10 mm (Abb. **9 B**, Seite 7)

Winterabdeckung WA 130 für das Lüftungsgitter LS 200

Adapterkabel

- WAGO zu CEE
- WAGO zu UK
- WAGO zu JST
- WAGO zu MATE-N-LOK

Beschreibung

Optionaler Lüftersatz REF-FANKIT

Optionaler Batteriesatz Pack R10-BP für den autarken Gasbetrieb

Optionales Aufbewahrungssset

4 Bestimmungsgemäßer Gebrauch

Der Kühlschrank ist für folgende Verwendungszwecke geeignet:

- Einbau in Wohnwagen und Wohnmobile
- Kühlung, Tiefkühlung und Lagerung von Lebensmitteln

Der Kühlschrank ist nicht für folgende Verwendungszwecke geeignet:

- Lagerung von Medikamenten
- Lagerung von ätzenden oder Lösungsmittelhaltigen Stoffen
- Einfrieren von Lebensmitteln

Der Kühlschrank ist für den Einbau in einen Schrank oder eine Einbaunische vorgesehen.

Dieser Kühlschrank ist nicht für den Einsatz im Haushalt geeignet.

Das Tiefkühlfach eignet sich für die Aufbewahrung von tiefgefrorenen Lebensmitteln, die Lagerung oder Herstellung von Eiscreme und die Herstellung von Eiswürfeln. Es ist nicht geeignet zum Einfrieren von Lebensmitteln.

Dieses Produkt ist nur für den angegebenen Verwendungszweck und die Anwendung gemäß dieser Anleitung geeignet.

Dieses Handbuch enthält Informationen, die für die ordnungsgemäße Installation und/oder den ordnungsgemäßen Betrieb des Produkts erforderlich sind. Installationsfehler und/oder ein nicht ordnungsgemäßer Betrieb oder eine nicht ordnungsgemäße Wartung haben eine unzureichende Leistung und u. U. einen Ausfall des Geräts zur Folge.

Der Hersteller übernimmt keine Haftung für Verletzungen oder Schäden am Produkt, die durch Folgendes entstehen:

- Unsachgemäße Montage oder falscher Anschluss, einschließlich Überspannung
- Unsachgemäße Wartung oder Verwendung von anderen als den vom Hersteller gelieferten Original-Ersatzteilen
- Veränderungen am Produkt ohne ausdrückliche Genehmigung des Herstellers
- Verwendung für andere als die in der Anleitung beschriebenen Zwecke

Dometic behält sich das Recht vor, das Erscheinungsbild des Produkts und dessen technische Daten zu ändern.

Dieses Produkt ist nur für den angegebenen Verwendungszweck und die Anwendung gemäß dieser Anleitung geeignet.

Dieses Handbuch enthält Informationen, die für die ordnungsgemäße Installation und/oder den ordnungsgemäßen Betrieb des Produkts erforderlich sind. Installationsfehler und/oder ein nicht ordnungsgemäßer Betrieb oder eine nicht ordnungsgemäße Wartung haben eine unzureichende Leistung und u. U. einen Ausfall des Geräts zur Folge.

Der Hersteller übernimmt keine Haftung für Verletzungen oder Schäden am Produkt, die durch Folgendes entstehen:

- unsachgemäße Montage oder falscher Anschluss, einschließlich Überspannung
- unsachgemäße Wartung oder Verwendung von anderen als den vom Hersteller gelieferten Original-Ersatzteilen
- Veränderungen am Produkt ohne ausdrückliche Genehmigung des Herstellers
- Verwendung für andere als die in der Anleitung beschriebenen Zwecke

Dometic behält sich das Recht vor, das Erscheinungsbild des Produkts und dessen technische Daten zu ändern.

Kühlschrank einbauen



VORSICHT! Gesundheitsgefahr

Um Gefahren aufgrund eines instabilen Stands des Geräts zu vermeiden, muss das Gerät entsprechend den Anweisungen fixiert werden.



Die Anleitung zum Wechseln des Türanschlags und der Dekorplatte finden Sie online unter <https://dometic.com/manuals>

4.1 Einbau vorbereiten



ACHTUNG!

- Der Kühlschrank darf nicht im Heck von Wohnmobilen installiert werden, wenn die Tür in Fahrtrichtung zeigt.
- Verwenden Sie ausschließlich Original-Lüftungsgitter von Dometic, um einen sicheren Betrieb zu gewährleisten.

Beachten Sie bei der Montage des Kühlschranks folgende Hinweise:

- Vergewissern Sie sich, dass der Boden fest und eben ist. Stellen Sie das Fahrzeug zu diesem Zweck waagrecht ab.
- Sorgen Sie dafür, dass der Kühlschrank waagrecht ausgerichtet ist.
- Der Kühlschrank muss so installiert werden, dass
 - er für Wartungsarbeiten leicht zugänglich ist
 - er leicht zu deinstallieren und zu installieren ist
 - er leicht aus dem Fahrzeug entfernt werden kann
- Der Kühlschrank muss in eine Nische eingebaut werden, damit er bei Bewegung des Fahrzeugs fest steht. Beachten Sie folgende Abmessungen (Abb. **1**, Seite 3 und Abb. **2**, Seite 4):

	RM10.5(S)(T)	RMS10.5(S)(T)	RMS10.5X(S)(T)
Kühlschrank	Gesamtabmessungen in mm		
Höhe (A)	821	821	821
Breite (B)	523	523	523
Tiefe (C) (ohne Steuerknopf (5 mm))	548	548	603
Aussparung	Abmessungen in mm		
Höhe (H)	≥829	≥829	≥829
Breite (W)	≥525,5	≥525,5	≥525,5
Tiefe (D)	≥563	≥563	≥618

- Der Kühlschrank muss in einem Abstand von mindestens 5 mm über dem Boden installiert werden, damit sich die Tür richtig öffnen lässt (Abb. **3**, Seite 4).
 - Stellen Sie den Kühlschrank nicht direkt auf den Boden.
 - Stellen Sie sicher, dass kein Teppich die Bewegungsfreiheit der Tür einschränkt.
- In der Außenwand müssen eine Belüftungsöffnung (Abb. **4** 1, Seite 4) und eine Entlüftungsöffnung (Abb. **4** 2, Seite 4) mit Lüftungsgitter vorgesehen werden, damit die entstehende Wärme gut nach außen abgegeben werden kann:
 - Belüftungsöffnung: Lüftungsgitter möglichst bündig mit dem Boden der Einbaunische montieren.
 - Entlüftungsöffnung: möglichst weit oberhalb des Kühlschranks.
 - Der Abstand zwischen Belüftungsöffnung und Entlüftungsöffnung muss mindestens 750 mm bei RM10.5 und 534 mm bei RMS10.5 betragen (Abb. **5**, Seite 5).

- Sehen Sie oberhalb des Kühlschranks ein Wärmeleitblech vor (Abb. **5** 1, Seite 5), damit sich die Wärme nicht im Fahrzeug staut.
- Der Abstand zwischen Kühlschrank und Rückwand muss mindestens 15 mm, höchstens jedoch 25 mm betragen.
- Ein Abstand von über 25 mm zwischen Kühlschrank und Rückwand führt zu Leistungseinbußen und erhöhtem Energieverbrauch des Kühlschranks. Verkleinern Sie den Hohlraum hinter dem Kühlschrank entsprechend, um eine ausreichende Be- und Entlüftung herzustellen (Abb. **6**, Seite 5). Nutzen Sie hierzu z. B. ein Luftleitblech.
- Falls der Mindestabstand zwischen Belüftungsöffnung und Entlüftungsöffnung nicht eingehalten werden kann, muss statt der Entlüftungsöffnung ein Dachentlüfter verbaut werden.
 - Der Dachentlüfter sollte möglichst direkt über der Rückseite des Kühlschranks angebracht werden. Nutzen Sie einen Luftkanal (Abb. **7** 1, Seite 6), wenn Sie den Dachentlüfter versetzt anbringen müssen, da sonst ein Wärmestau entsteht.
 - Der Abstand zwischen Belüftungsöffnung und Dachentlüfter muss mindestens 750 mm bei RM10.5 und 534 mm bei RMS10.5 betragen (Abb. **7**, Seite 6).
 - Falls eine Dachklimaanlage vorhanden ist, muss der Abstand zwischen Dachentlüfter (Abb. **8** 1, Seite 7) und Luftauslass der Dachklimaanlage (Abb. **8** 2, Seite 7) mindestens 300 mm betragen.
- Der Kühlschrank darf nicht seitlich zu den Be- und Entlüftungsöffnungen eingebaut werden, da dies zu Leistungseinbußen und erhöhtem Energieverbrauch des Kühlschranks führt.
- Die Belüftungs- und Entlüftungsöffnung dürfen im Betrieb nicht durch Fahrzeugteile abgedeckt werden (z. B. geöffnete Tür oder durch den Anbau von Zubehör wie Fahrradträger).
- Installieren Sie den Kühlschrank geschützt gegen übermäßige Wärmeeinstrahlung, da diese zu Leistungseinbußen und erhöhtem Energieverbrauch des Kühlschranks führt.
- Der Kühlschrank muss an einem zugluftsicheren Ort eingebaut werden.

4.2 Kühlschrank zugdicht einbauen



WARNUNG! Brandgefahr!

Verwenden Sie zum zugdichten Einbau keine leicht entflammaren Materialien wie Silikon-Dichtungsmassen, Montageschaum oder Ähnliches.

Gasbetriebene Kühlschränke in Wohnwagen oder Wohnmobilen müssen an einem zugluftfreien Ort eingebaut werden. Das bedeutet, dass die Verbrennungsluft nicht dem Innenraum entnommen wird und die Abgase am direkten Eintritt in den Wohnraum gehindert werden.

Zwischen Rückwand des Kühlschranks und dem Innenraum des Fahrzeugs muss eine geeignete Abdichtung vorgesehen werden.

Der Hersteller empfiehlt, eine flexible Dichtung zu verwenden, um den Aus- und Einbau für Wartungszwecke zu vereinfachen.

Wählen Sie eine der drei Versionen für einen zugluftsicheren Einbau (Abb. **9**, Seite 8):

Anschlagleiste hinter dem Kühlschrank (A)

1. Kleben Sie eine flexible Dichtlippe (**1**) an eine Anschlagleiste (**2**) hinter dem Kühlschrank (**3**).
 2. Schieben Sie die Kühlschrank-Ofen-Kombination gegen die Anschlagleiste mit den flexiblen Dichtlippen.
- ✓ Der Raum hinter dem Kühlschrank ist zum Innenraum des Fahrzeugs hin abgedichtet.

Seitlicher Spaltabstand von bis zu 5 mm zwischen Kühlschrank und Möbelstück (B)

1. Kleben Sie die Dichtlippen (siehe Kapitel „Zubehör“ auf Seite 35) an die Seite des Möbelstücks (**4**).
 2. Schieben Sie die Kühlschrank-Ofen-Kombination gegen die flexiblen Dichtlippen an dem Möbelstück.
- ✓ Der Raum hinter dem Kühlschrank ist zum Innenraum des Fahrzeugs hin abgedichtet.

Seitlicher Spaltabstand von 5 mm bis 10 mm zwischen Kühlschrank und Möbelstück (C)

1. Kleben Sie die doppellippige Dichtung (siehe Kapitel „Zubehör“ auf Seite 35) an die Seite des Möbelstücks (**4**).
 2. Schieben Sie die Kühlschrank-Ofen-Kombination gegen die doppellippige Dichtung an dem Möbelstück.
- ✓ Der Raum hinter dem Kühlschrank ist zum Innenraum des Fahrzeugs hin abgedichtet.

4.3 Be- und Entlüftungsöffnungen herstellen



HINWEIS

- Abweichungen von den hier gezeigten Einlass- und Auslassvarianten müssen vom Hersteller genehmigt werden.
- Bei hohen Umgebungstemperaturen kann der Kühlschrank nur dann seine maximale Kühlleistung erbringen, wenn für eine optimale Be- und Entlüftung gesorgt ist.

- Fertigen Sie eine Belüftungs- und eine Entlüftungsöffnung in der Außenwand mit der Größe 451 mm × 156 mm an.

Beachten Sie dabei die Hinweise (siehe Kapitel „Einbau vorbereiten“ auf Seite 37).

Falls das Lüftungsgitter der Belüftungsöffnung nicht bündig zum Boden der Einbaunische eingebaut werden kann, bauen Sie eine Belüftungsöffnung im Fußboden ein. Austretendes Gas kann so nach unten strömen.

1. Fertigen Sie hinter dem Kühlschrank im Bereich des Gasbrenners eine Belüftungsöffnung von mindestens \varnothing 40 mm im Boden an (Abb. **10** 1, Seite 9).
2. Schirmen Sie die Außenseite der Öffnung mit einem Ablenker ab, damit während der Fahrt kein Schlamm oder Dreck eindringen kann (Abb. **10** 2, Seite 9).

Falls Sie statt der Entlüftungsöffnung einen Dachentlüfter nutzen müssen:

- Fertigen Sie einen Rahmenausschnitt im Dach an. Entnehmen Sie das erforderliche Maß der Anleitung des Dachentlüfters.

Beachten Sie dabei die Hinweise in Kapitel „Einbau vorbereiten“ auf Seite 37.

4.4 Lüftungsgitter montieren



HINWEIS

Verwenden Sie ausschließlich Original-Lüftungsgitter von Dometic, um einen sicheren Betrieb zu gewährleisten.

Nr. in Abb. 11 , Seite 9	Beschreibung
1	Einbaurahmen
2	Lüftungsgitter
3	Schieber

Nr. in Abb. 11 , Seite 9	Beschreibung
4	Winterabdeckung für das Lüftungsgitter (Zubehör)
5	Adapter für den Kondensatablaufschlauch

1. Dichten Sie den Einbaurahmen ab, um die Verbindung wasserdicht zu machen (Abb. **12**, Seite 9).
2. Setzen Sie den Einbaurahmen ein und schrauben Sie ihn fest (Abb. **13**, Seite 9). Benutzen Sie dafür alle Befestigungsbohrungen.
3. Installieren Sie den Schlauchadapter wie abgebildet (Abb. **14** 1, Seite 10).
4. Setzen Sie das Lüftungsgitter wie abgebildet ein (Abb. **15**, Seite 10).

4.5 Kondensatablauf installieren



HINWEIS

- Durch häufiges Türöffnen, falsch gelagerte Lebensmittel oder zu warm gelagerte Lebensmittel kann sich im Inneren des Kühlschranks Kondensat bilden.
- Das Kondensat muss mit konstantem Gefälle abgelassen werden.

Installieren Sie den Kondensatablauf wie folgt:

- Schließen Sie den Kondensatablaufschlauch direkt an den Adapter am Lüftungsgitter an (Abb. **14** 2, Seite 10).

4.6 Dachentlüfter montieren

Nr. in Abb. 16 , Seite 10	Beschreibung
1	Haube
2	Einbaurahmen

1. Dichten Sie den Einbaurahmen ab, um die Verbindung wasserdicht zu machen (Abb. **17**, Seite 10).
2. Setzen Sie den Einbaurahmen ein und schrauben Sie ihn fest (Abb. **18**, Seite 11). Benutzen Sie dafür alle Befestigungsbohrungen.
3. Setzen Sie die Haube auf und schrauben Sie sie fest (Abb. **19**, Seite 11).

4.7 Kühltisch befestigen



VORSICHT!

Schrauben Sie nur durch die dafür vorgesehenen Buchsen, da ansonsten eingeschäumte Bauteile wie Leitungen beschädigt werden können.



HINWEIS

Befestigen Sie die Seitenwände oder die angebrachten Leisten so, dass die Schrauben auch bei erhöhter Beanspruchung (während der Fahrt) fest sitzen.

1. Bringen Sie den Kühltisch in seine endgültige Lage.
2. Drehen Sie die Schrauben (Abb. **20** 1, Seite 11) durch die Kunststoffbuchse an den Seiten des Kühltisches und weiter in die Nischenwand.
3. Setzen Sie die Abdeckkappen (Abb. **20** 2, Seite 11) auf die Schraubenköpfe.

5 Kühlschrank anschließen

5.1 An die Gasversorgung anschließen



WARNUNG! Nichtbeachtung dieser Warnungen kann zum Tod oder schwerer Verletzung führen. Gesundheitsgefahr

- Der Kühlschrank darf nur von einer Fachkraft gemäß den geltenden nationalen Vorschriften und Normen an die Gasversorgung angeschlossen werden.
- Ein Schlauchanschluss ist **nicht** zulässig.
- Verwenden Sie eine Schraubverbindung mit Metalldichtung.
- Der Gasfilter (Weiß) im Gasanschluss des Kühlschranks darf nicht entfernt werden.
- Verwenden Sie nur Propan- oder Butangasflaschen (kein Erdgas oder Stadtgas) mit geprüftem Druckreduzierventil und passendem Kopfstück. Vergleichen Sie die Druckangabe auf dem Typenschild mit der Druckangabe auf dem Druckregler der Propan- oder Butangasflasche.
- Der Kühlschrank darf **ausschließlich** mit dem auf dem Typenschild angegebenen Druck betrieben werden.
- Der Kühlschrank darf **ausschließlich** mit der auf dem Typenschild angegebenen Gasart betrieben werden.
- Bitte beachten Sie die in Ihrem Land zugelassenen Drücke. Verwenden Sie nur festeingestellte Druckregler, die den nationalen Vorschriften entsprechen.



HINWEIS

Optional können Sie die flexible Gasanschlussleitung von Dometic verwenden, um die Installation spannungsfrei zu halten.

Der Kühlschrank muss durch eine Absperrereinrichtung in der Gasleitung separat absperrbar sein. Die Absperrereinrichtung muss leicht zugänglich sein.

1. Schließen Sie den Kühlschrank fest per Hand an die Gasversorgung an (Abb. **21**, Seite 11).



WARNUNG! Explosionsgefahr

Es ist sehr wichtig, dass Sie die folgenden Anzugsmomente einhalten:

Pos. in Abb. 21 , Seite 11	Beschreibung
1	Schraube M4 (Torx TX20), Anzugsmoment: 2 Nm
2	Gasanschluss Kühlschrank: M14 x 1,5 (d = 8 mm/ISO 8434 (DIN 2353))
3	Gasleitung mit Ringkupplung (Größe 17), Anzugsmoment: 25 Nm

2. Lassen Sie nach der fachgerechten Installation eine Dichtheitsprüfung und eine Flammprobe von einer autorisierten Fachkraft durchführen.
Stellen Sie sicher, dass Sie eine Prüfbescheinigung erhalten, und geben Sie diese Bescheinigung dem Endbenutzer zur sicheren Aufbewahrung.

5.2 An Gleichstrom und Wechselstrom anschließen



WARNUNG! Nichtbeachtung dieser Warnungen kann zum Tod oder schwerer Verletzung führen. Gefahr durch Stromschlag

Die elektrische Installation sowie Reparaturen dürfen nur von einer Fachkraft gemäß den geltenden nationalen Vorschriften und Normen ausgeführt werden.



HINWEIS

- Der Gerätestecker darf nicht direkt hinter dem Lüftungsgitter platziert werden, um eine Beeinträchtigung der Luftzirkulation zu verhindern und den Gerätestecker vor Wasserspritzern zu schützen.
- Der Gerätestecker des Wechselstrom-Anschlusskabels darf nicht abgeschnitten werden.
- Die Anschlusskabel müssen so verlegt sein, dass sie nicht mit heißen Teilen des Aggregats/Brenners oder mit scharfen Kanten in Berührung kommen.
- Veränderungen an der internen elektrischen Installation oder der Anschluss anderer elektrischer Komponenten (z. B. fremder Zusatzlüfter) an der internen Verkabelung des Kühlschranks führen zum Erlöschen jeglicher Ansprüche aus Gewährleistung und Produkthaftung!
- Die Kühlschränke RM10.5 und RMS10.5 verfügen über eine CI-Bus-Schnittstelle und können über ein kompatibles zentrales Fahrzeugdisplay gesteuert werden.

Schaltplan des Kühlschranks (Abb. 22, Seite 12)

Pos. in Abb. 22, Seite 12	Beschreibung
1	Lüfter 1 (falls Optionsmodul verfügbar ist)
2	Optionsmodul (optional)
3	Gleichstromversorgung Ofen (falls Optionsmodul verfügbar ist)
4	Gleichstromversorgungsmodul
5	NTC 2: Außentemperatur (optional)
6	NTC 1: Temperaturfühler für frische Lebensmittel
7	Gasventil
8	Beleuchtung
9	Reed-Technologie
10	S+ (optional)
11	Heizelement (Gleichstrom)
12	15-A-Sicherung
13	Gleichstromrelais für Heizpatrone
14	Eingang Gas
15	Gleichstromanschlussblock
16	Gleichstromversorgungskabel Elektronik
17	Gleichstromversorgungskabel Heizelement
18	CI-Bus-Anschluss
19	Wechselstromanschluss
20	Heizelement (Wechselstrom)
21	Ground
22	Wechselstrom-Schutzleiter
23	Zündelektrode
24	Leistungsmodul
25	Anzeigemodul

Gleichstrom



WARNUNG! Brandgefahr

- Die Versorgungsleitung zum Heizelement muss mit einer 15-A-Sicherung abgesichert sein.
- Die Versorgungsleitung zur Elektronik muss mit einer 2-A-Sicherung abgesichert sein.



ACHTUNG!

Die jeweiligen positiven und negativen Versorgungsleitungen der Gleichstromanschlüsse für Elektronik (Abb. **22** 16, Seite 12) und Heizelement (Abb. **22** 17, Seite 12) dürfen **nicht** miteinander verbunden und auf einem einzigen Draht geführt werden. Es kann sonst zu elektrischer Beeinflussung oder Beschädigung elektrischer Bauteile kommen.

Beachten Sie folgende Leitungsquerschnitte (Abb. **23**, Seite 14):

- Anschlüsse Heizelement:
 - <6 m (im Innenraum): $\geq 6 \text{ mm}^2$
 - >6 m (im Innenraum): $\geq 10 \text{ mm}^2$
 - Kabelzuführung über Deichsel (nur Wohnwagen): $\geq 2,5 \text{ mm}^2$
 - Anschlüsse Elektronik: $\geq 0,75 \text{ mm}^2$
 - Verbindungen D+ und S+: $\geq 0,75 \text{ mm}^2$
1. Montieren Sie die Gleichstromsteckdose wie folgt (Abb. **22**, Seite 12):
 - Schließen Sie **A** und **C** an den Pluspol der Batterie an.
 - Schließen Sie **D** und **F** an Masse an.
 - Schließen Sie **B** an das D+-Signal an.
Die Elektronik des Kühlschranks nutzt das Signal D+ der Lichtmaschine, um den laufenden Fahrzeugmotor zu erkennen. Der Kühlschrank wählt im automatischen Betriebsmodus die günstigste vorhandene Betriebsart aus. Der Kühlschrank wird nur mit Gleichstrom betrieben, wenn der Fahrzeugmotor läuft.
 - Schließen Sie **E** an den CI-BUS an.
 2. Schließen Sie **10** an das S+-Signal an (optional).
 3. Sichern Sie die Versorgungsleitung **A** mit einer 2-A-Sicherung im Stromverteilerkasten des Fahrzeugs ab.
 4. Sichern Sie die Versorgungsleitung **C** mit einer 15-A-Sicherung im Stromverteilerkasten des Fahrzeugs ab.
 5. Verlegen Sie die Versorgungsleitung **C** über ein zündungsgesteuertes Relais. Dadurch wird verhindert, dass sich die Batterie vollständig entlädt, wenn der Motor versehentlich abgestellt wird.

Wechselstrom

- Schließen Sie den Kühlschrank mit dem Gerätestecker an eine Wechselstromsteckdose an.

6 Entsorgung

Recycling von Produkten mit nicht auswechselbaren Batterien, wiederaufladbaren Batterien oder Leuchtmitteln



- Wenn das Produkt nicht auswechselbare Batterien, wiederaufladbare Batterien oder Leuchtmittel enthält, brauchen Sie diese vor der Entsorgung nicht zu entfernen.



- Wenn Sie das Gerät endgültig entsorgen möchten, informieren Sie sich bitte bei Ihrem Wertstoffhof vor Ort oder bei Ihrem Fachhändler, wie dies gemäß den geltenden Entsorgungsvorschriften zu tun ist.
- Das Produkt kann kostenlos entsorgt werden.




Recycling von Verpackungsmaterial



- Geben Sie das Verpackungsmaterial möglichst in den entsprechenden Recycling-Müll.

7 Technische Daten

	RM10.5(S)(T)	RMS10.5(S)(T)	RMS10.5X(S)(T)
Anschlussspannung:	230 V~ /50 Hz 12 V==		
Kapazität			
Bruttoinhalt:	88 l	78 l	92 l
Kühlraum:	78,7 l	69,1 l	80,3 l
Frosterfach:	9,2 l	9,2 l	12,1 l
Nutzzinhalt insgesamt:	86 l	76 l	90 l
Ohne Frosterfach			
Bruttoinhalt:	93 l	83 l	98 l
Nutzzinhalt:	91 l	81 l	96 l
Leistungsaufnahme:	135 W (230 V~) 130 W (12 V==)		
Energieverbrauch:	2,8 kWh/24 h (230 V~)	2,5 kWh/24 h (230 V~)	3,2 kWh/24 h (230 V~)

	RM10.5(S)(T)	RMS10.5(S)(T)	RMS10.5X(S)(T)
Gasverbrauch:	270 g/24 h		
Gasanschlussdruck:	30 mbar		
Klimaklasse:	SN		
Abmessungen H x B x T:	821 x 523 x 548 mm		821 x 523 x 603 mm
Gewicht:	28 kg	27,4 kg	29 kg
Prüfung/Zertifikat:	  		

Die aktuelle EU-Konformitätserklärung für Ihr Gerät erhalten Sie auf der jeweiligen Produktseite auf dometic.com oder direkt über den Hersteller (siehe dometic.com/dealer).

Weitere Produktinformationen sind über den QR-Code auf dem Energielabel am Gerät oder unter eprel.ec.europa.eu abrufbar.

Veillez lire et suivre attentivement l'ensemble des instructions, directives et avertissements figurant dans ce manuel afin d'installer, d'utiliser et d'entretenir le produit correctement à tout moment. Ces instructions DOIVENT rester avec le produit.

En utilisant ce produit, vous confirmez expressément avoir lu attentivement l'ensemble des instructions, directives et avertissements et que vous comprenez et acceptez de respecter les modalités et conditions énoncées dans le présent document. Vous acceptez d'utiliser ce produit uniquement pour l'usage et l'application prévus et conformément aux instructions, directives et avertissements figurant dans le présent manuel, ainsi qu'à toutes les lois et réglementations applicables. En cas de non-respect des instructions et avertissements figurant dans ce manuel, vous risquez de vous blesser ou de blesser d'autres personnes, d'endommager votre produit ou d'endommager d'autres biens à proximité. Le présent manuel produit, y compris les instructions, directives et avertissements, ainsi que la documentation associée peuvent faire l'objet de modifications et de mises à jour. Pour obtenir des informations actualisées sur le produit, veuillez consulter le site documents.dometic.com, [dometic.com](https://documents.dometic.com).



Pour obtenir le manuel d'utilisation détaillé et les données techniques du produit, rendez-vous sur :
https://documents.dometic.com/?object_id=69924

Sommaire

1	Signification des symboles	50
2	Consignes de sécurité	51
3	Accessoires	53
4	Usage conforme	54
5	Raccordement du réfrigérateur	62
6	Mise au rebut.	66
7	Caractéristiques techniques	67

1 Signification des symboles



AVERTISSEMENT !

Consignes de sécurité : indiquent une situation dangereuse qui, si elle n'est pas évitée, est susceptible d'entraîner des blessures graves, voire mortelles.



ATTENTION !

Consignes de sécurité : indiquent une situation dangereuse qui, si elle n'est pas évitée, est susceptible d'entraîner des blessures légères ou de gravité modérée.

**AVIS !**

indiquent une situation dangereuse qui, si elle n'est pas évitée, peut entraîner des dommages matériels.

**REMARQUE**

Informations complémentaires sur l'utilisation de ce produit.

2 Consignes de sécurité



AVERTISSEMENT ! Le non-respect de ces mises en garde peut entraîner des blessures graves, voire mortelles.

Risque d'électrocution

- L'installation et le retrait du réfrigérateur doivent uniquement être réalisés par un opérateur qualifié.
- Seul un professionnel est habilité à réparer le réfrigérateur. Toute réparation mal effectuée risquerait d'entraîner de graves dangers ou d'endommager de réfrigérateur.
- Si le câble de raccordement du réfrigérateur est endommagé, il doit être remplacé par le fabricant, son service après-vente ou une personne de qualification similaire, afin d'éviter tout danger.
- Veillez à ne pas coincer ni endommager le cordon d'alimentation lors de la mise en place du réfrigérateur.
- Ne placez pas de multiprises portables ou de blocs d'alimentation portables à l'arrière du réfrigérateur.
- Branchez l'appareil sur des prises permettant un raccordement approprié, en particulier lorsque l'appareil doit être relié à la terre.

Risque d'explosion

- N'ouvrez jamais l'unité de l'absorbeur. Il se trouve sous haute pression et peut provoquer des blessures s'il est ouvert.
- Ne stockez aucune substance explosive (comme des aérosols contenant des gaz combustibles, par exemple) dans le réfrigérateur.
- Utilisez **uniquement** l'appareil avec la pression indiquée sur la plaque signalétique. Utilisez uniquement des régulateurs de pression à réglage fixe correspondant aux prescriptions nationales (en Europe EN 12864).

Risque d'incendie

- Assurez un traitement propre et sans traces lorsque du mastic au silicone ou un produit similaire est utilisé. Tout contact de fils de silicone avec des pièces chaudes ou des flammes nues présente un risque d'incendie.
- Ne contrôlez jamais l'étanchéité de l'appareil à l'aide d'une flamme nue.
- Utilisez uniquement du gaz propane ou butane (**pas de** gaz naturel).
- Le fluide frigorigène du circuit frigorifique s'enflamme facilement. En cas de fuite, des gaz combustibles peuvent s'accumuler si l'appareil se trouve dans une petite pièce.
En cas d'endommagement du circuit frigorifique (odeur d'ammoniaque) :
 - Veillez à tenir le réfrigérateur à l'écart des flammes nues et des sources d'ignition potentielles.
 - Aérez bien la pièce.
 - Éteignez le réfrigérateur.

Risque pour la santé

- Si l'appareil présente des dégâts visibles, ne le mettez pas en service.
- Si le câble de raccordement en courant alternatif de l'appareil est endommagé, il doit être remplacé par le fabricant, un agent de service ou une personne de qualification similaire, afin d'éviter tout danger.

Risque de coincement des enfants

- Veillez à ce que les étagères soient montées et à ce que les enfants ne puissent pas s'enfermer dans le réfrigérateur.
- Avant de mettre au rebut votre ancien réfrigérateur :
 - Démontez les tiroirs.
 - Laissez les clayettes dans le réfrigérateur, afin que les enfants ne puissent pas entrer dedans.



ATTENTION ! Le non-respect de ces mises en garde peut entraîner des blessures légères ou de gravité modérée.

Risque d'électrocution

- Avant de mettre l'appareil en service, assurez-vous que la ligne d'alimentation électrique et le connecteur sont secs.

Risque d'écrasement

- Ne touchez pas la charnière.

Risque pour la santé

- Pour éviter tout risque dû à l'instabilité du réfrigérateur, celui-ci doit être fixé conformément aux instructions d'installation.
- N'ouvrez ou n'endommagez en aucun cas le circuit frigorifique.

**AVIS ! Risque d'endommagement**

- Lors du transport, ne fixez l'appareil que par le corps de l'appareil. Ne le fixez jamais au module de l'absorbeur, aux ailettes de refroidissement, aux conduites de gaz, à la porte ou au panneau de commande.
- Ne montez pas l'appareil près de flammes nues ou d'autres sources de chaleur (chauffage, fours à gaz, etc.).
- **Risque de surchauffe !**
Veillez toujours à ce que la chaleur produite lors du fonctionnement puisse se dissiper suffisamment. Veillez à ce que l'appareil se trouve à une distance suffisante des murs ou des objets, de sorte que l'air puisse circuler.
- Vérifiez que la tension indiquée sur la plaque signalétique correspond à l'alimentation électrique dont vous disposez.
- Pour raccorder l'appareil au courant alternatif, veuillez utiliser exclusivement la prise de courant correspondante.
- Utilisez uniquement des câbles de la section appropriée.
- Ne tirez jamais sur le câble de raccordement pour sortir la fiche de la prise.
- L'appareil ne doit pas être exposé à la pluie.

3 Accessoires

Description

Conduites de gaz flexibles

Joint pour une installation à l'épreuve des courants d'air en cas d'écart de 1 – 5 mm (fig. **9 B**, page 7)

Joint pour une installation à l'épreuve des courants d'air en cas d'écart de 5 – 10 mm (fig. **9 C**, page 7)

Couvercle d'hivernage WA 130 pour la grille de ventilation LS 200

Description

Câble adaptateur

- WAGO > CEE
- WAGO > UK
- WAGO > JST
- WAGO > MATE-N-LOK

Kit de ventilateur optionnel REF-FANKIT

Bloc de piles optionnel R10-BP pour fonctionnement autonome au gaz

Kit de rangement optionnel

4 Usage conforme

Le réfrigérateur est adapté à ce qui suit :

- Le montage dans des caravanes ou camping-cars
- Le refroidissement, la congélation et le stockage d'aliments

Le réfrigérateur n'est pas adapté à ce qui suit :

- Le stockage de médicaments
- Le stockage de substances corrosives ou contenant des solvants
- La surgélation d'aliments

Le réfrigérateur est destiné à être installé dans un meuble ou une cavité dédiée.

Ce réfrigérateur n'est pas destiné à être utilisé comme appareil domestique.

Le compartiment de congélation convient pour le stockage des produits précongelés et pour le stockage ou la préparation de glaces et de glaçons. Il n'est pas adapté à la congélation d'aliments.

Ce produit convient uniquement à l'usage et à l'application prévus, conformément au présent manuel d'instructions.

Ce manuel fournit les informations nécessaires à l'installation et/ou à l'utilisation correcte du produit. Une installation, une utilisation ou un entretien inappropriés entraînera des performances insatisfaisantes et une éventuelle défaillance.

Le fabricant décline toute responsabilité en cas de blessure ou de dommage résultant :

- d'un montage ou d'un raccordement incorrect, y compris d'une surtension
- d'un entretien inadéquat ou de l'utilisation de pièces de rechange autres que les pièces de rechange d'origine fournies par le fabricant

- de modifications apportées au produit sans autorisation explicite du fabricant
- d'usages différents de ceux décrits dans ce manuel.

Dometic se réserve le droit de modifier l'apparence et les spécifications produit.

Ce produit convient uniquement à l'usage et à l'application prévus, conformément au présent manuel d'instructions.

Ce manuel fournit les informations nécessaires à l'installation et/ou à l'utilisation correcte du produit. Une installation, une utilisation ou un entretien inappropriés entraînera des performances insatisfaisantes et une éventuelle défaillance.

Le fabricant décline toute responsabilité en cas de blessure ou de dommage résultant :

- d'un montage ou d'un raccordement incorrect, y compris d'une surtension
- d'un entretien inadapté ou de l'utilisation de pièces de rechange autres que les pièces de rechange d'origine fournies par le fabricant
- de modifications apportées au produit sans autorisation explicite du fabricant
- d'usages différents de ceux décrits dans ce manuel.

Dometic se réserve le droit de modifier l'apparence et les spécifications produit.

Installation du réfrigérateur



ATTENTION ! Risque pour la santé

Pour éviter tout risque dû à l'instabilité de l'appareil, celui-ci doit être fixé conformément aux instructions.



Vous trouverez le manuel d'instructions pour le remplacement de la butée de porte et de la façade en ligne, à l'adresse :
<https://dometic.com/manuals>

4.1 Préparation au montage



AVIS !

- Le réfrigérateur ne doit pas être installé à l'arrière des caravanes avec la porte orientée dans le sens de la marche.
- Utilisez uniquement des grilles de ventilation Dometic d'origine pour garantir un fonctionnement en toute sécurité.

Tenez compte des remarques suivantes lors du montage du réfrigérateur :

- Veillez à ce que le sol soit solide et plat.
Garez le véhicule horizontalement à cet effet.
- Assurez-vous que le réfrigérateur est de niveau.
- Le réfrigérateur doit être installé de sorte
 - à être facilement accessible pour les travaux de maintenance
 - à pouvoir être installé et désinstallé facilement
 - à pouvoir être retiré sans trop d'effort du véhicule
- Le réfrigérateur doit être encastré afin qu'il soit stable lorsque le véhicule se déplace. Pour ce faire, tenez compte des dimensions suivantes (fig. **1**, page 3 et fig. **2**, page 4) :

	RM10.5(S)(T)	RMS10.5(S)(T)	RMS10.5X(S)(T)
Réfrigérateur	Dimensions hors tout en mm		
Hauteur (A)	821	821	821
Largeur (B)	523	523	523
Profondeur (C) (à l'exception du bouton de commande, 5 mm)	548	548	603
Encastrement	Dimensions en mm		
Hauteur (H)	≥829	≥829	≥829
Largeur (W)	≥525,5	≥525,5	≥525,5
Profondeur (D)	≥563	≥563	≥618

- Le réfrigérateur doit être installé à une distance d'au moins 5 mm du sol pour garantir que la porte peut être ouverte correctement (fig. **3**, page 4).
 - Évitez de placer le réfrigérateur directement sur le sol.
 - Assurez-vous qu'aucun tapis n'entrave l'ouverture ou la fermeture de la porte.

- La paroi extérieure doit comporter une ouverture de ventilation (fig. **4** 1, page 4) et une ouverture d'aération (fig. **4** 2, page 4) équipée d'une grille d'aération, afin que la chaleur formée puisse être évacuée correctement vers l'extérieur :
 - Ouverture de ventilation : Installez la grille d'aération aussi affleurée que possible à la base de la niche d'installation.
 - Ouverture d'aération : aussi loin que possible au-dessus du réfrigérateur.
 - La distance entre l'ouverture d'aération et l'ouverture d'échappement d'air doit être d'au moins 750 mm pour le RM10.5 et 534 mm pour le RMS10.5 (fig. **5**, page 5).
- Prévoyez un déflecteur de chaleur au-dessus du réfrigérateur (fig. **5** 1, page 5) afin que la chaleur ne s'accumule pas dans le véhicule.
- La distance entre le réfrigérateur et le mur arrière doit être d'au moins 15 mm et d'au plus 25 mm.
- Une distance de plus de 25 mm entre le réfrigérateur et la paroi arrière conduit à de mauvaises performances et à une consommation d'énergie accrue du réfrigérateur. Par conséquent, réduisez la cavité derrière le réfrigérateur pour produire une ventilation et un échappement suffisants (fig. **6**, page 5). Pour ce faire, utilisez par exemple un déflecteur d'air.
- Si la distance minimale entre l'ouverture d'aération et l'ouverture de ventilation ne peut être respectée, un ventilateur de toit doit être installé à la place de l'ouverture de ventilation.
 - Le ventilateur de toit doit être situé, autant que possible, directement au-dessus de la paroi arrière du réfrigérateur. Utilisez un canal d'air (fig. **7** 1, page 6) si vous avez besoin d'installer le ventilateur de toit de manière décalée, car sinon la chaleur s'accumule.
 - La distance entre l'ouverture d'aération et le ventilateur de toit doit être d'au moins 750 mm pour le RM10.5 et 534 mm pour le RMS10.5 (fig. **7**, page 6).
 - Si un climatiseur de toit existe, la distance entre le ventilateur de toit (fig. **8** 1, page 7) et la sortie d'air du climatiseur de toit (fig. **8** 2, page 7) doit être d'au moins 300 mm.
- Le réfrigérateur ne doit pas être installé latéralement par rapport aux ouvertures d'aération et de ventilation, car cela entraînerait une baisse des performances et une augmentation de la consommation d'énergie du réfrigérateur.
- L'ouverture d'aération et l'ouverture de ventilation ne doivent pas être recouvertes par des pièces du véhicule pendant le fonctionnement (p. ex. porte ouverte ou accessoires, comme porte-vélos).

- Installez le réfrigérateur à l'abri d'un rayonnement excessif de chaleur, car cela conduit sinon à des pertes de la performance et augmente la consommation d'énergie du réfrigérateur.
- Le réfrigérateur doit être encastré sans passage d'air.

4.2 Encastrement du réfrigérateur sans passage d'air



AVERTISSEMENT ! Risque d'incendie !

Pour l'encastrement hermétique, n'utilisez pas de matériaux facilement inflammables comme les mastics en silicone, mousse de montage, etc.

Les réfrigérateurs fonctionnant au gaz dans des caravanes ou camping-cars doivent être encastrés hermétiquement. Cela signifie que l'air nécessaire à la combustion n'est pas pris dans l'habitacle et que les gaz d'échappement ne pénètrent pas directement dans l'espace habitable.

Un colmatage adapté doit être prévu entre l'arrière du réfrigérateur et l'intérieur du véhicule.

Le fabricant recommande d'utiliser un joint flexible afin de simplifier le démontage et le montage à des fins de maintenance.

Sélectionnez l'une des trois versions pour une installation à l'épreuve des courants d'air (fig. **9**, page 8) :

Barre de butée derrière le réfrigérateur (A)

1. Fixez une lèvre d'étanchéité flexible (**1**) sur une barre de butée (**2**) derrière le réfrigérateur (**3**).
 2. Poussez le réfrigérateur-four contre la barre de butée avec les lèvres d'étanchéité flexibles.
- ✓ L'espace se trouvant derrière le réfrigérateur est hermétiquement solidaire de l'habitacle.

Distance d'écart latéral de jusqu'à 5 mm entre le réfrigérateur et le mobilier (B)

1. Collez les lèvres d'étanchéité (voir chapitre « Accessoires », page 53) sur le côté du mobilier (**4**).
2. Poussez la combinaison réfrigérateur-four contre les lèvres d'étanchéité flexibles sur le mobilier.

- ✓ L'espace se trouvant derrière le réfrigérateur est hermétiquement solidaire de l'habitacle.

Distance d'écart latéral de 5 mm à 10 mm entre le réfrigérateur et le mobilier (C)

1. Collez la double lèvre d'étanchéité (voir chapitre « Accessoires », page 53) sur le côté du mobilier (4).
 2. Poussez la combinaison réfrigérateur-four contre la double lèvre d'étanchéité sur le mobilier.
- ✓ L'espace se trouvant derrière le réfrigérateur est hermétiquement solidaire de l'habitacle.

4.3 Fabrication des ouvertures de ventilation et d'aération



REMARQUE

- Les écarts par rapport aux variations d'entrée et de sortie indiquées ici doivent être approuvés par le fabricant.
- En cas de températures ambiantes élevées, le réfrigérateur ne peut fournir sa puissance frigorifique maximale que si l'aération et la ventilation sont optimales.

- Pratiquez une ouverture d'aération et de ventilation dans la paroi extérieure de 451 mm x 156 mm.

Ce faisant, respectez les consignes, voir chapitre « Préparation au montage », page 55.

Si la grille d'aération de l'ouverture d'aération ne peut pas être montée au même niveau que le plancher de l'alcôve, prévoir en plus une ouverture d'aération dans le plancher du véhicule. Toute fuite de gaz peut ainsi s'écouler vers le bas.

1. Pratiquez une ouverture d'aération d'au moins Ø 40 mm dans le plancher (fig. 10 1, page 9) derrière le réfrigérateur, dans la zone du brûleur.
2. Protégez l'extérieur de l'ouverture avec un déflecteur pour que ni boue ni salissures ne puissent y pénétrer pendant le trajet (fig. 10 2, page 9).

Si vous avez besoin d'utiliser un ventilateur de toit au lieu de l'ouverture d'aération :

- Faites une découpe du cadre dans le toit. Pour connaître les mesures requises, consultez les instructions de la ventilation de toit.
Ce faisant, respectez les consignes, voir chapitre « Préparation au montage », page 55.

4.4 Montage de la grille de ventilation



REMARQUE

Utilisez uniquement des grilles de ventilation Dometic d'origine pour garantir un fonctionnement en toute sécurité.

No. dans fig. 11 , page 9	Description
1	Cadre de montage
2	Grille d'aération
3	Glissière
4	Couvercle d'hivernage pour la grille de ventilation (accessoires)
5	Adaptateur pour le tuyau d'évacuation de la condensation

1. Scellez le cadre d'installation pour rendre la connexion étanche (fig. **12**, page 9).
2. Insérez le cadre de montage et vissez-le (fig. **13**, page 9). Utilisez tous les trous de fixation pour cela.
3. Installez l'adaptateur de tuyau comme indiqué (fig. **14** 1, page 10).
4. Introduisez la grille d'aération comme indiqué (fig. **15**, page 10).

4.5 Installation de l'évacuation de condensation



REMARQUE

- De la condensation peut se former à l'intérieur du réfrigérateur en raison de l'ouverture fréquente de la porte, d'aliments stockés de manière incorrecte ou d'aliments stockés lorsqu'il fait trop chaud.
- La condensation doit être évacuée avec une pente constante.

Installez l'évacuation de condensation comme suit :

- ▶ Fixez le tuyau de condensation directement sur le raccord prévu sur la grille de ventilation (fig. **14** 2, page 10).

4.6 Montage du ventilateur de toit

No. dans fig. 16 , page 10	Description
1	Capot
2	Cadre de montage

1. Scellez le cadre d'installation pour rendre la connexion étanche (fig. **17**, page 10).
2. Insérez le cadre de montage et vissez-le (fig. **18**, page 11). Utilisez tous les trous de fixation pour cela.
3. Placez le capot par dessus et vissez-le (fig. **19**, page 11).

4.7 Fixation du réfrigérateur



ATTENTION !

Vissez toujours à travers les douilles prévues ; dans le cas contraire, les composants en mousse et les câbles, entre autres, pourraient être endommagés.



REMARQUE

Fixez les parois latérales ou les plinthes de telle sorte que les vis soient bien serrées, même sous une charge accrue (pendant la conduite).

1. Placez le réfrigérateur à son emplacement définitif.
2. Vissez les vis (fig. **20** 1, page 11) dans les douilles en plastique des parois latérales du réfrigérateur puis dans la niche murale.
3. Placez les bouchons (fig. **20** 2, page 11) sur les têtes des vis.

5 Raccordement du réfrigérateur

5.1 Raccordement à l'alimentation en gaz



AVERTISSEMENT ! Le non-respect de ces mises en garde peut entraîner des blessures graves, voire mortelles. Risque pour la santé

- Seul un spécialiste est habilité à raccorder le réfrigérateur à l'alimentation au gaz, conformément aux directives et normes nationales en vigueur.
- Il est **interdit** d'utiliser un raccord pour tuyaux.
- Utilisez un raccord à vis métallique.
- Le filtre à gaz (blanc) du raccordement de gaz du réfrigérateur ne doit pas être retiré.
- Utilisez uniquement des bouteilles de gaz propane ou butane (pas de gaz naturel ou gaz de ville) dont la vanne de réduction de pression a été contrôlée et un embout correspondant. Vérifiez que les données inscrites sur le régulateur de pression de la bouteille de propane ou de butane correspondent aux données inscrites sur la plaque signalétique.
- Faites fonctionner le réfrigérateur **uniquement** avec une pression correspondant à celle indiquée sur la plaque signalétique.
- Faites fonctionner le réfrigérateur **uniquement** avec le type de gaz correspondant à celui indiqué sur la plaque signalétique.
- Veuillez tenir compte des pressions autorisées dans votre pays. Utilisez uniquement des régulateurs de pression à réglage fixe correspondant aux prescriptions nationales.



REMARQUE

Vous pouvez aussi utiliser le tube-raccord de gaz flexible Dometic pour conserver l'installation hors tension.

Le réfrigérateur doit pouvoir être séparé de la conduite de gaz par un dispositif de blocage. Le dispositif de blocage doit être facile d'accès.

1. Branchez le réfrigérateur de manière fixe et libre de tension à l'alimentation en gaz (fig. **21**, page 11).



AVERTISSEMENT ! Risque d'explosion

Il est très important que vous respectiez les couples de serrage suivants :

Élément dans fig. 21, page 11	Description
1	Vis M4 (Torx TX20), Couple de serrage : 2 Nm
2	Raccordement du gaz du réfrigérateur : M14 x 1,5 (d = 8 mm/ISO 8434 (DIN 2353))
3	Tuyau de gaz avec accouplement à bague (taille 17), Couple de serrage : 25 Nm

- Faites effectuer un test de fuite et un test de flamme par un spécialiste autorisé après une installation professionnelle.
Faites vous remettre un certificat de ce test et remettez-le à l'utilisateur final pour qu'il le conserve en lieu sûr.

5.2 Raccordement au CC et CA



AVERTISSEMENT ! Le non-respect de ces mises en garde peut entraîner des blessures graves, voire mortelles. Risque d'électrocution

L'installation électrique et les réparations doivent être effectuées par un spécialiste, en conformité avec les règlements et les normes nationales applicables.

**REMARQUE**

- Le connecteur de l'appareil ne doit pas être placé directement derrière la grille d'aération afin de ne pas compromettre la circulation d'air et de protéger le connecteur de l'appareil des projections d'eau.
- Le connecteur de l'appareil au courant alternatif ne doit pas être coupé.
- Les câbles de raccordement doivent être posés de telle sorte qu'ils ne sont pas en contact avec les parties chaudes de l'unité / du brûleur ou avec des arêtes vives.
- Des modifications de l'installation électrique interne ou le raccordement d'autres composants électriques (p. ex. ventilateur supplémentaire d'un autre fabricant) au câblage interne du réfrigérateur annulent toute réclamation issue de la garantie et de la responsabilité du fabricant.
- Les réfrigérateurs RM10.5 et RMS10.5 possèdent une interface de bus CI et peuvent être contrôlés par un écran central compatible du véhicule.

Schéma de câblage du réfrigérateur (fig. 22, page 12)

Élément dans fig. 22, page 12	Description
1	Ventilateur 1 (si le module d'options est disponible)
2	Module d'options (en option)
3	Four alimentation CC (si le module d'options est disponible)
4	Module d'options alimentation CC
5	NTC2 : Température extérieure (en option)
6	NTC1 : Sonde de température pour les aliments frais
7	Vanne du gaz
8	Éclairage
9	Contacteur Reed
10	S+ (en option)
11	Élément de chauffage CC
12	Fusible 15 A
13	Relais CC pour cartouche chauffante

Élément dans fig. 22, page 12	Description
14	Entrée gaz
15	Bloc de connexion CC
16	Électronique câble alimentation CC
17	Élément chauffant câble alimentation CC
18	Raccordement bus CI
19	Raccordement au courant alternatif
20	Élément de chauffage CA
21	Terre
22	Terre protection CA
23	Électrode d'allumage
24	Module de puissance
25	Module d'affichage

Source d'alimentation CC



AVERTISSEMENT ! Risque d'incendie

- La ligne d'alimentation vers l'élément de chauffage doit être protégée par un fusible de 15 A.
- La ligne d'alimentation vers l'électronique doit être protégée par un fusible de 2 A.



AVIS !

Les lignes d'alimentation positive et négative des connexions CC pour l'électronique (fig. 22 16, page 12) et l'élément de chauffage (fig. 22 17, page 12) ne doivent **pas** être raccordées ensemble sur un seul fil. Cela peut provoquer des interférences électriques ou endommager des composants électriques.

Respectez les sections de câbles suivantes (fig. 23, page 14) :

- Raccordement de l'élément chauffant :
 - <6 m (à l'intérieur) : $\geq 6 \text{ mm}^2$
 - >6 m (à l'intérieur) : $\geq 10 \text{ mm}^2$
 - Câble sur timon (caravanes uniquement) : $\geq 2,5 \text{ mm}^2$
- Raccordement électronique : $\geq 0,75 \text{ mm}^2$

- Raccordements D+ et S+ : $\geq 0,75 \text{ mm}^2$
1. Montez votre prise de courant continu comme suit (fig. **22**, page 12) :
 - Raccordez **A** et **C** au pôle positif de la batterie.
 - Raccordez **D** et **F** à la masse.
 - Raccordez **B** au signal D+.
L'électronique du réfrigérateur utilise le signal D+ de la dynamo afin de reconnaître la marche du moteur du véhicule. En mode automatique, le réfrigérateur sélectionne le mode le plus favorable. Le réfrigérateur ne fonctionne avec du courant continu que lorsque le moteur du véhicule est en marche.
 - Raccordez **E** au bus Cl.
 2. Raccordez **10** au signal S+ (en option).
 3. Protégez la ligne d'alimentation **A** avec un fusible 2 A dans le répartiteur du véhicule.
 4. Protégez la ligne d'alimentation **C** avec un fusible 15 A dans le répartiteur du véhicule.
 5. Faites passer la ligne d'alimentation **C** par un relais à commande d'allumage. Ceci évite une décharge complète de la batterie lorsque le moteur est éteint accidentellement.

Source d'alimentation CA

- ▶ Connectez le réfrigérateur à une prise CA à l'aide du connecteur de l'appareil.

6 Mise au rebut

Recyclage des produits contenant des piles non remplaçables, des batteries ou des sources lumineuses rechargeables



- ▶ Si le produit contient des piles non remplaçables, des batteries ou des sources lumineuses rechargeables, vous n'avez pas besoin de les retirer avant de les mettre au rebut.






- ▶ Si vous souhaitez mettre le produit au rebut, contactez le centre de recyclage le plus proche ou votre revendeur spécialisé afin d'être informé des réglementations liées au traitement des déchets.
- ▶ Le produit peut être mis au rebut gratuitement.

Recyclage des emballages



- ▶ Dans la mesure du possible, jetez les emballages dans les conteneurs de déchets recyclables prévus à cet effet.

7 Caractéristiques techniques

	RM10.5(S)(T)	RMS10.5(S)(T)	RMS10.5X(S)(T)
Tension de raccordement :	230 V~ /50 Hz 12 V===		
Capacité			
Capacité brute :	88 l	78 l	92 l
Compartment réfrigérateur :	78,7 l	69,1 l	80,3 l
Compartment conservateur :	9,2 l	9,2 l	12,1 l
Capacité nette totale :	86 l	76 l	90 l
À l'exclusion du compartiment conservateur			
Capacité brute :	93 l	83 l	98 l
Capacité nette :	91 l	81 l	96 l
Alimentation électrique :	135 W (230 V~) 130 W (12 V===)		
Consommation électrique :	2,8 kWh/24 h (230 V~)	2,5 kWh/24 h (230 V~)	3,2 kWh/24 h (230 V~)
Consommation de gaz :	270 g/24 h		
Pression de raccordement de gaz :	30 mbar		
Classe climatique :	SN		
Dimensions H x l x P :	821 x 523 x 548 mm		821 x 523 x 603 mm
Poids :	28 kg	27,4 kg	29 kg
Contrôle/certification :	  		

Pour consulter la déclaration de conformité UE actuelle liée à votre appareil, reportez-vous à la page produit correspondante sur dometic.com ou contactez directement le fabricant (voir dometic.com/dealer).

Pour plus d'informations sur le produit, scannez le code QR figurant sur l'étiquette énergétique apposée sur celui-ci ou rendez-vous sur eprel.ec.europa.eu.

Lea atentamente estas instrucciones y siga las indicaciones, directrices y advertencias incluidas en este manual para asegurarse de que instala, usa y mantiene correctamente el producto en todo momento. Estas instrucciones DEBEN permanecer con este producto.

Al usar el producto, usted confirma que ha leído cuidadosamente todas las instrucciones, directrices y advertencias, y que entiende y acepta cumplir los términos y condiciones aquí establecidos. Usted se compromete a usar este producto solo para el propósito y la aplicación previstos y de acuerdo con las instrucciones, directrices y advertencias establecidas en este manual del producto, así como de acuerdo con todas las leyes y reglamentos aplicables. La no lectura e incumplimiento de las instrucciones y advertencias aquí expuestas puede causarle lesiones a usted o a terceros, daños en el producto o daños en otras propiedades cercanas. Este manual del producto, incluyendo las instrucciones, directrices y advertencias, y la documentación relacionada, pueden estar sujetos a cambios y actualizaciones. Para obtener información actualizada sobre el producto, visite la página documents.dometic.com, [dometic.com](https://documents.dometic.com).



Puede encontrar en la web las instrucciones de uso detalladas así como información sobre los datos técnicos en la dirección https://documents.dometic.com/?object_id=69924

Índice

1	Explicación de los símbolos	69
2	Indicaciones de seguridad	70
3	Accesorios	72
4	Uso previsto	73
5	Conectar la nevera	81
6	Gestión de residuos	86
7	Datos técnicos.	86

1 Explicación de los símbolos



¡ADVERTENCIA!

Información de seguridad: Indica una situación peligrosa que, de no evitarse, puede ocasionar la muerte o lesiones graves.



¡ATENCIÓN!

Información de seguridad: Indica una situación peligrosa que, de no evitarse, puede ocasionar lesiones moderadas o leves.



¡AVISO!

Indica una situación peligrosa que, de no evitarse, puede provocar daños materiales.

**NOTA**

Información adicional para el manejo del producto.

2 Indicaciones de seguridad



¡ADVERTENCIA! El incumplimiento de estas advertencias podría acarrear la muerte o lesiones graves.

Riesgo de electrocución

- Únicamente personal cualificado podrá realizar la instalación y la retirada de la nevera.
- Solo personal especializado está autorizado a realizar reparaciones en la nevera. Las reparaciones que se realicen incorrectamente pueden dar lugar a situaciones de considerable peligro o pueden producir daños considerables en la nevera.
- Si se daña el cable de conexión de esta nevera, el fabricante, su servicio de atención al cliente o una persona cualificada debe reemplazarlo para evitar así posibles peligros.
- Cuando ubique la nevera, asegúrese de que el cable de suministro eléctrico no quede atrapado ni resulte dañado.
- No coloque tomas múltiples de corriente portátiles ni fuentes de alimentación portátiles detrás de la nevera.
- Enchufe el aparato en tomas que garanticen una conexión correcta, sobre todo cuando sea necesario poner a tierra el aparato.

Peligro de explosión

- No abra nunca el grupo absorbedor. Está bajo alta presión y puede causar lesiones si se abre.
- No guarde en la nevera sustancias con peligro de explosión como, p. ej., atomizadores con gases combustibles.
- **Únicamente** utilice este aparato con la presión indicada en la placa de características. Utilice solo presostatos fijos que cumplan las disposiciones nacionales (en Europa EN 12864).

Peligro de incendio

- Asegúrese de trabajar de forma segura y limpia cuando se emplea pasta para juntas de silicona o similares. Si hilos de silicona entran en contacto con piezas calientes o fuego abierto, existe peligro de incendio.

- No compruebe nunca la hermeticidad del aparato con fuego abierto.
- Utilice solo gas propano o butano (**no** gas natural).
- El refrigerante del circuito de refrigeración es altamente inflamable y en caso de que se produjera una fuga, se podrían formar gases combustibles si el aparato se encuentra en un recinto pequeño.
Si el circuito de refrigeración se daña (huele a amoníaco):
 - Mantenga alejadas de la nevera llamas vivas y posibles fuentes de ignición.
 - Ventile bien el recinto.
 - Apague la nevera.

Riesgo para la salud

- No ponga el aparato en funcionamiento si presenta desperfectos visibles.
- Si se daña el cable de conexión de corriente alterna de este aparato, deberá ser sustituido por el fabricante, un técnico de mantenimiento autorizado o una persona con una cualificación equivalente para evitar así posibles peligros.

Riesgo de atrapamiento de niños

- Asegúrese de montar y asegurar las bandejas de tal manera que los niños no puedan quedar encerrados dentro de la nevera.
- Antes de desechar su vieja nevera:
 - Desmonte los cajones.
 - Deje las bandejas dentro de la nevera para que los niños no puedan entrar en ella.



¡ATENCIÓN! El incumplimiento de estas precauciones podría acarrear lesiones moderadas o leves.

Riesgo de electrocución

- Antes de la puesta en funcionamiento, asegúrese de que el cable de alimentación y la clavija de enchufe estén secos.

Riesgo de aplastamiento

- No introduzca la mano en el tope de la tapa.

Riesgo para la salud

- Para evitar peligros causados por la inestabilidad de la nevera, esta deberá fijarse tal como se indica en las instrucciones de instalación.
- No abra ni dañe el circuito de refrigerante bajo ninguna circunstancia.



¡AVISO! Peligro de daños

- Sujete el aparato solamente por el cuerpo cuando lo transporte. No sujete nunca el aparato por el grupo absorbedor, las aletas de refrigeración, los conductos de gas, la puerta o el panel de control.
- No monte el aparato cerca de fuego abierto ni de otras fuentes de calor (calefacción, estufas de gas, etc.).
- **¡Peligro de sobrecalentamiento!**
Asegúrese de que quede garantizada en todo momento una evacuación adecuada del calor que se genera durante el funcionamiento. Asegúrese también de que el aparato guarde la suficiente distancia respecto a paredes u objetos, de forma que el aire pueda circular.
- Compruebe que la especificación de tensión indicada en la placa de características sea igual a la de la fuente de alimentación.
- Conecte el aparato a la red de corriente alterna solo con el cable de conexión de corriente alterna correspondiente.
- Utilice únicamente cables que tengan la sección adecuada.
- No desenchufe nunca el cable de conexión tirando de él.
- No está permitido exponer a la lluvia el aparato.

3 Accesorios

Descripción

Tubería de gas flexible

Sello para montaje a prueba de corrientes para huecos de 1 – 5 mm (fig. **9 B**, página 7)

Sello para montaje a prueba de corrientes para huecos de 5 – 10 mm (fig. **9 C**, página 7)

Cubierta de invierno WA 130 para la rejilla de ventilación LS 200

Cable adaptador

- WAGO a CEE
- WAGO a UK
- WAGO a JST
- WAGO a MATE-N-LOK

Kit de ventilador opcional Kit REF-FANKIT

Paquete de baterías opcional Pack R10-BP para el modo autónomo con gas

Kit de almacenamiento opcional

4 Uso previsto

La nevera solo es adecuada para:

- Instalación en caravanas y autocaravanas
- Refrigerar, congelar y almacenar alimentos

La nevera no es adecuada para:

- Almacenar medicamentos
- Almacenar sustancias corrosivas o sustancias que contengan disolventes
- Alimentos de congelación rápida

La nevera está diseñada para instalarse en un armario o en un nicho de instalación.

Esta nevera no está diseñada para el uso doméstico.

El compartimento para congelados es adecuado para guardar productos precongelados, así como para guardar o hacer helados y cubitos de hielo. No es adecuada para congelar alimentos que no estaban congelados con anterioridad.

Este producto solo es apto para el uso previsto y la aplicación de acuerdo con estas instrucciones.

Este manual proporciona la información necesaria para la correcta instalación y/o funcionamiento del producto. Una instalación deficiente y/o un uso y mantenimiento inadecuados conllevan un rendimiento insatisfactorio y posibles fallos.

El fabricante no se hace responsable de ninguna lesión o daño en el producto ocasionados por:

- Un montaje o conexión incorrectos, incluido un exceso de tensión
- Un mantenimiento incorrecto o el uso de piezas de repuesto distintas de las originales proporcionadas por el fabricante
- Modificaciones realizadas en el producto sin el expreso consentimiento del fabricante
- Uso con una finalidad distinta de la descrita en las instrucciones

Dometic se reserva el derecho de cambiar la apariencia y las especificaciones del producto.

Este producto solo es apto para el uso previsto y la aplicación de acuerdo con estas instrucciones.

Este manual proporciona la información necesaria para la correcta instalación y/o funcionamiento del producto. Una instalación deficiente y/o un uso y mantenimiento inadecuados conllevan un rendimiento insatisfactorio y posibles fallos.

El fabricante no se hace responsable de ninguna lesión o daño en el producto ocasionados por:

- Un montaje o conexión incorrectos, incluido un exceso de tensión
- Un mantenimiento incorrecto o el uso de piezas de repuesto distintas de las originales proporcionadas por el fabricante
- Modificaciones realizadas en el producto sin el expreso consentimiento del fabricante
- Uso con una finalidad distinta de la descrita en las instrucciones

Dometic se reserva el derecho de cambiar la apariencia y las especificaciones del producto.

Montaje de la nevera



¡ATENCIÓN! Peligro para la salud

Para evitar peligros causados por la inestabilidad del aparato, este deberá fijarse tal como se indica en las instrucciones.



Puede encontrar en la web el manual de instrucciones para el cambio del tope de la puerta y la placa decorativa en la dirección

<https://dometic.com/manuals>

4.1 Preparación del montaje



¡AVISO!

- No monte la nevera en la parte trasera de una autocaravana con la puerta apuntando en el sentido de la marcha.
- Utilice exclusivamente rejillas de ventilación originales Dometic para asegurar un funcionamiento seguro.

Durante el montaje de la nevera, tenga en cuenta las siguientes indicaciones:

- Asegúrese de que el suelo sea sólido y nivelado.
Con este fin, aparque el vehículo en posición horizontal.
- Asegúrese de que la nevera esté nivelada.

- La nevera debe estar instalada de forma que
 - resulte fácilmente accesible para trabajos de mantenimiento
 - resulte fácil de instalar y desinstalar
 - pueda retirarse fácilmente del vehículo
- La nevera se debe instalar empotrada para que no se desplace con el movimiento del vehículo. Para ello tenga en cuenta las siguientes medidas (fig. **1**, página 3 y fig. **2**, página 4):

	RM 10.5(S)(T)	RMS10.5(S)(T)	RMS10.5X(S)(T)
Nevera	Dimensión total en mm		
Altura (A)	821	821	821
Anchura (B)	523	523	523
Profundidad (C) (no incluye el regulador giratorio de 5 mm)	548	548	603
Hueco	Dimensión en mm		
Altura (H)	≥829	≥829	≥829
Anchura (W)	≥525,5	≥525,5	≥525,5
Profundidad (D)	≥563	≥563	≥618

- Al instalar la nevera se debe guardar una distancia mínima de 5 mm respecto al suelo para garantizar que la puerta se pueda abrir bien (fig. **3**, página 4).
 - Evite colocar la nevera directamente encima del suelo.
 - Asegúrese de que no haya alfombras que obstaculicen el libre movimiento de la puerta.
- En la pared exterior se debe practicar una abertura de entrada de aire (fig. **4** 1, página 4) y una de salida (fig. **4** 2, página 4) con rejillas de ventilación para extraer el calor generado:
 - Abertura de entrada de aire: Coloque la rejilla de entrada de aire lo más a ras posible de la base del nicho de montaje.
 - Abertura de salida de aire: Encájela lo más por encima posible de la nevera.
 - La distancia entre las aberturas de entrada y salida de aire debe ser, como mínimo, de 750 mm para el modelo RM10.5 y de 534 mm para el modelo RMS10.5 (fig. **5**, página 5).
- Coloque una chapa deflectora de calor encima de la nevera (fig. **5** 1, página 5) para que el calor no se acumule en el vehículo.
- La distancia entre la nevera y la pared trasera debe tener un mínimo de 15 mm y un máximo de 25 mm.

- Una distancia superior a 25 mm entre la nevera y la pared trasera causa una merma de potencia y un consumo de potencia más elevado de la nevera. Reduzca el espacio trasero de la nevera para crear una ventilación óptima de entrada y salida (fig. **6**, página 5). Para ello utilice, por ejemplo, una placa de ventilación.
- Si no es posible llegar a la distancia mínima entre la abertura de entrada y la abertura de salida en la pared, se instalará una salida de ventilación de techo en vez de la abertura de salida de la pared.
 - La salida de ventilación de techo se instalará, en la medida de lo posible, directamente encima de la parte posterior de la nevera. Utilice un conducto de aire (fig. **7** 1, página 6) si instala una salida de ventilación de techo, ya que, de lo contrario, se acumulará el calor en la zona.
 - La distancia entre la abertura de entrada de aire y la salida de ventilación del techo debe ser de al menos 750 mm para el modelo RM10.5 y de 534 mm para el modelo RMS10.5 (fig. **7**, página 6).
 - Si se dispone de un equipo de aire acondicionado de techo, la distancia entre la salida de ventilación del techo (fig. **8** 1, página 7) y la salida de aire del equipo de aire acondicionado de techo (fig. **8** 2, página 7) debe ser de al menos 300 mm.
- No está permitido instalar la nevera a los lados de las aberturas de aireación y ventilación, ya que causaría una merma de potencia y un consumo de potencia elevado de la nevera.
- No está permitido que las aberturas de entrada y salida de aire queden cubiertas durante el funcionamiento por piezas del vehículo (por ejemplo, una puerta abierta o un portabicicletas).
- Instale la nevera protegida contra una radiación exagerada de calor, ya que podría causar mermas de potencia y un consumo de potencia elevado de la nevera.
- La nevera debe montarse en una zona protegida de las corrientes de aire.

4.2 Montaje de la nevera en un lugar protegido de corrientes de aire



¡ADVERTENCIA! ¡Peligro de incendio!

Para el montaje protegido frente a corrientes de aire no se deben utilizar materiales fácilmente inflamables como pasta de silicona para juntas, espuma de montaje o similares.

En caravanas o autocaravanas, las neveras a gas deben instalarse en zonas no expuestas a corrientes de aire. Esto significa que el aire de combustión no se toma del habitáculo y se impide que los gases de escape entren en el espacio habitable.

Entre la pared trasera de la nevera y el habitáculo del vehículo debe haber un sellado adecuado.

El fabricante recomienda utilizar una junta flexible para facilitar el desmontaje y montaje a efectos de mantenimiento.

Seleccione una de las tres versiones de montaje protegido de corrientes de aire (fig. **9**, página 8):

Barra de detención detrás de la nevera (A)

1. Pegue un labio de junta flexible (**1**) a una barra de detención (**2**) detrás de la nevera (**3**).
 2. Deslice la combinación nevera-horno contra la barra de detención con los labios de junta flexibles.
- ✓ El espacio detrás de la nevera está sellado hacia el interior del vehículo.

Distancia de la ranura lateral de hasta 5 mm entre la nevera y el mueble (B)

1. Pegue los labios de junta (véase capítulo "Accesorios" en la página 72) en el lateral del mobiliario (**4**).
 2. Empuje la combinación de nevera-horno contra los labios de junta flexibles en el mobiliario.
- ✓ El espacio detrás de la nevera está sellado hacia el interior del vehículo.

Distancia de la ranura lateral de 5 mm a 10 mm entre la nevera y el mueble (C)

1. Pegue el sellado de doble labio (véase capítulo "Uso previsto" en la página 73) en el lateral del mobiliario (**4**).
 2. Empuje la combinación de nevera-horno contra el sellado de doble labio en el mobiliario.
- ✓ El espacio detrás de la nevera está sellado hacia el interior del vehículo.

4.3 Realización de aberturas de entrada y salida de aire



NOTA

- Las diferencias con respecto a las variaciones de entrada y salida de aire indicadas aquí deberán estar aprobadas por el fabricante.
- En el caso de una temperatura ambiente elevada, la nevera solo puede rendir al máximo si se garantiza una ventilación óptima.

- Practique una abertura de ventilación y de desaireación en la pared exterior con unas dimensiones de 451 mm x 156 mm.

Para ello, tenga en cuenta las indicaciones anteriores, véase capítulo “Preparación del montaje” en la página 74.

Si la rejilla de ventilación de la abertura de entrada de aire no se puede instalar a ras de suelo del nicho, instale una abertura de entrada en el suelo. De esta manera, las fugas de gas fluirán hacia abajo.

1. Practique una abertura de ventilación de al menos Ø 40 mm en el suelo (fig. 10 1, página 9) detrás de la nevera, en el área del quemador de gas.
2. Proteja la parte exterior de la abertura con una cubierta para que no entre barro ni suciedad durante los desplazamientos (fig. 10 2, página 9).

Si utiliza una salida de ventilación de techo en vez de la salida de pared:

- Practique un corte del bastidor del techo. Consulte las dimensiones requeridas en las instrucciones del ventilador de techo.

Al hacerlo, tenga en cuenta la información indicada en capítulo “Preparación del montaje” en la página 74.

4.4 Montaje de la rejilla de ventilación



NOTA

Utilice exclusivamente rejillas de ventilación originales Dometic para asegurar un funcionamiento seguro.

N.º en fig. 11, página 9	Descripción
1	Marco de montaje
2	Rejilla de ventilación
3	Corredera

N.º en fig. 11 , página 9	Descripción
4	Cubierta de invierno para la rejilla de ventilación (accesorios)
5	Adaptador para el tubo de drenaje del agua de condensación

1. Selle el marco de montaje para impermeabilizarlo (fig. **12**, página 9).
2. Introduzca el marco de montaje y atorníllelo con fuerza (fig. **13**, página 9). Utilice para ello los orificios de fijación.
3. Instale el adaptador del tubo tal como se indica (fig. **14** 1, página 10).
4. Inserte la rejilla de ventilación como se indica (fig. **15**, página 10).

4.5 Montaje del desagüe de condensación



NOTA

- En la nevera se puede formar condensación debido a la apertura frecuente de la puerta, alimentos mal almacenados o comida guardada cuando todavía está caliente.
- La condensación debe desaguar con una pendiente constante.

Monte el desagüe de condensación de la siguiente manera:

- Conecte el tubo de condensación directamente al adaptador en la rejilla de ventilación (fig. **14** 2 página 10).

4.6 Montaje del extractor de techo

N.º en fig. 16 , página 10	Descripción
1	Cubierta
2	Marco de montaje

1. Selle el marco de montaje para impermeabilizarlo (fig. **17**, página 10).
2. Introduzca el marco de montaje y atorníllelo con fuerza (fig. **18**, página 11). Utilice para ello los orificios de fijación.
3. Coloque la cubierta y atorníllela con fuerza (fig. **19**, página 11).

4.7 Fijar la nevera



¡ATENCIÓN!

Atornille solo a través de los receptáculos previstos para ello, ya que, de lo contrario, pueden dañarse los componentes protegidos con espuma, como los cables.



NOTA

Sujete las paredes laterales o los listones instalados de forma que los tornillos estén fijos incluso en caso de mucha carga (durante la conducción).

1. Ponga la nevera en su posición final.
2. Apriete los tornillos (fig. **20** 1, página 11) a través de las cubierta de plástico en los lados de la nevera y hasta el interior de la pared.
3. Coloque las tapas (fig. **20** 2, página 11) en las cabezas de los tornillos.

5 Conectar la nevera

5.1 Conexión a la alimentación de gas



¡ADVERTENCIA! El incumplimiento de estas advertencias podría acarrear la muerte o lesiones graves. Riesgo para la salud

- La conexión de la nevera al suministro de gas debe ser realizada por personal especializado conforme a las disposiciones y estándares vigentes en cada país.
- La conexión de manguera **no** está permitida.
- Utilice una conexión roscada de cierre metálico.
- El filtro del gas (blanco) de la conexión de gas de la nevera no se puede extraer.
- Utilice solo bombonas de gas propano o butano (no gas natural ni gas ciudad) equipadas con una válvula homologada de reducción de la presión y un cabezal adecuado. Compare la indicación de presión en la placa de características con la indicación de presión del regulador de gas la bombona de gas butano o propano.
- **Solo** está permitido usar la nevera con la presión indicada en la placa de características.
- **Solo** está permitido usar la nevera con el tipo de gas indicado en la placa de características.
- Tenga en cuenta las presiones autorizadas en su país. Utilice solo presostatos fijos que cumplan las normativas nacionales.



NOTA

De forma opcional, puede utilizar la tubería flexible para la conexión de gas de Dometic con el objetivo de mantener la instalación sin tensión.

La nevera se debe poder bloquear independientemente con un dispositivo de bloqueo en la tubería de gas. Se debe poder acceder de forma sencilla al dispositivo de cierre.

1. Conecte la nevera a la alimentación de gas de forma fija y sin tensiones (fig. **21**, página 11).



¡ADVERTENCIA! Peligro de explosión

Es muy importante mantener los siguientes pares de apriete:

Elemento en la fig. 21, página 11	Descripción
1	Tornillo M4 (torx TX20), Par de apriete: 2 Nm
2	Conexión de gas de la nevera: M14 x 1,5 (d = 8 mm/ISO 8434 (DIN 2353))
3	Tubo de gas con acoplamiento de anillo (tamaño 17), Par de apriete: 25 Nm

- Después de la instalación profesional, solicite a un especialista una prueba de fugas y de llama.
Asegúrese de que le expidan un certificado de inspección, y entréguelo al usuario final para que lo guarde.

5.2 Conexión a corriente continua y alterna



¡ADVERTENCIA! El incumplimiento de estas advertencias podría acarrear la muerte o lesiones graves. Riesgo de electrocución

La instalación eléctrica y las correspondientes reparaciones deben ser realizadas por personal especializado de acuerdo con las normativas y estándares vigentes en cada país.

**NOTA**

- El enchufe del aparato no puede estar justo detrás de la rejilla de ventilación para no perjudicar la circulación del aire y proteger el enchufe de salpicaduras de agua.
- No está permitido cortar el enchufe del cable de conexión de corriente alterna.
- El cable de conexión debe estar tendido de manera que no entre en contacto con piezas calientes del grupo/quemador o con bordes afilados.
- Las modificaciones de la instalación eléctrica interna o de la conexión con otros componentes eléctricos (por ejemplo, ventiladores adicionales externos) al cableado de la nevera causa la pérdida de todos los derechos de la garantía legal y frente a la responsabilidad del fabricante.
- Las neveras RM10.5 y RMS10.5 disponen de una interfaz de bus CI que se puede controlar mediante la pantalla central compatible del vehículo.

Esquema de conexiones de la nevera (fig. 22, página 12)

Elemento en la fig. 22, página 12	Descripción
1	Ventilador 1 (si el módulo de opciones está disponible)
2	Módulo de opciones (opcional)
3	Alimentación de corriente continua para horno (si el módulo de opciones está disponible)
4	Módulo de alimentación de corriente continua
5	NTC 2: temperatura exterior (opcional)
6	NTC 1: Sensor de temperatura de alimentos frescos
7	Válvula de gas
8	Iluminación
9	Interruptor de lengüeta
10	S+ (opcional)
11	Elemento calefactor CC
12	Fusible de 15 A

Elemento en la fig. 22, página 12	Descripción
13	Relé de corriente continua para el cartucho de calefacción
14	Entrada de gas
15	Bloque de conexión de corriente continua
16	Cable alimentación de corriente continua para sistemas electrónicos
17	Cable de alimentación de corriente continua para el elemento calefactor
18	Conexión bus CI
19	Conexión de corriente alterna
20	Elemento calefactor CA
21	Masa
22	Protección de corriente alterna de tierra
23	Electrodo de encendido
24	Módulo de corriente
25	Módulo de pantalla

Corriente continua



¡ADVERTENCIA! Peligro de incendio

- El cable de suministro del elemento calefactor debe estar protegido por un fusible de 15 A.
- El cable de suministro de la electrónica debe estar protegido por un fusible de 2 A.



¡AVISO!

Las líneas de alimentación positiva y negativa respectivas de las conexiones de corriente continua para sistemas electrónicos (fig. 22 16, página 12) y el elemento calefactor (fig. 22 17, página 12) **no** pueden unirse entre sí y conducirse por un mismo cable. De lo contrario, se pueden producir influencias eléctricas o daños en los componentes.

Tenga en cuenta las siguientes secciones del cableado (fig. **23**, página 14):

- Conexiones del elemento calefactor:
 - <6 m (en el interior): $\geq 6 \text{ mm}^2$
 - >6 m (en el interior): $\geq 10 \text{ mm}^2$
 - Cable con suministro vía remolque (solo caravanas): $\geq 2,5 \text{ mm}^2$
 - Conexiones del sistema electrónico: $\geq 0,75 \text{ mm}^2$
 - Conexiones D+ y S+: $\geq 0,75 \text{ mm}^2$
1. Monte su enchufe de corriente continua como se explica a continuación (fig. **22**, página 12):
 - Conecte **A** y **C** al polo positivo de la batería.
 - Conecte **D** y **F** a tierra.
 - Conecte **B** a la señal D+.

El sistema electrónico de la nevera utiliza la señal D+ del alternador para detectar si el motor está en marcha. La nevera selecciona en modo automático el modo de funcionamiento más favorable de los disponibles. La nevera solo se alimenta con corriente continua cuando el motor del vehículo está en marcha.
 - Conecte **E** al BUS CI.
 2. Conecte **10** a la señal S+ (opcional).
 3. Proteja la línea de alimentación **A** con un fusible de 2 A en la caja de distribución del vehículo.
 4. Proteja la línea de alimentación **C** con un fusible de 15 A en la caja de distribución del vehículo.
 5. Tienda la línea de alimentación de potencia **C** mediante un relé controlado por ignición.

Esto evita que la batería se descargue completamente si el motor se desconecta de forma accidental.

Corriente alterna

- Conecte la nevera a una caja de enchufe de corriente alterna mediante el enchufe del aparato.

6 Gestión de residuos

Reciclaje de productos con pilas no sustituibles, baterías recargables o fuentes de luz



➤ Si el producto contiene pilas no sustituibles, baterías recargables o fuentes de luz, no es necesario que las quite antes de desecharlo.

➤ Cuando vaya a desechar definitivamente el producto, infórmese en el centro de reciclaje más cercano o en un comercio especializado sobre las normas pertinentes de gestión de residuos.



➤ El producto podrá desecharse gratuitamente.




Reciclaje de materiales de embalaje



➤ Deseche el material de embalaje en el contenedor de reciclaje correspondiente.

7 Datos técnicos

	RM10.5(S)(T)	RMS10.5(S)(T)	RMS10.5X(S)(T)
Tensión de conexión:	230 V~ /50 Hz 12 V==		
Capacidad			
Capacidad bruta:	88 l	78 l	92 l
Compartimento refrigerador:	78,7 l	69,1 l	80,3 l
Congelador:	9,2 l	9,2 l	12,1 l
Capacidad neta total:	86 l	76 l	90 l
Excluyendo el congelador			
Capacidad bruta:	93 l	83 l	98 l
Capacidad neta:	91 l	81 l	96 l
Potencia de entrada:	135 W (230 V~) 130 W (12 V==)		
Consumo de energía:	2,8 kWh/24 h (230 V~)	2,5 kWh/24 h (230 V~)	3,2 kWh/24 h (230 V~)
Consumo de gas:	270 g/24 h		
Presión de conexión de gas:	30 mbar		
Clase climática:	SN		

	RM10.5(S)(T)	RMS10.5(S)(T)	RMS10.5X(S)(T)
Dimensiones H x A x P:	821 x 523 x 548 mm		821 x 523 x 603 mm
Peso:	28 kg	27,4 kg	29 kg
Inspección/certificados:	  		

Para la declaración de conformidad UE actual de su aparato, diríjase a la página de producto correspondiente en dometic.com o póngase en contacto directamente con el fabricante (véase dometic.com/dealer).

Encontrará más información sobre el producto a través del código QR de la clasificación de consumo energético que aparece en el producto o en el sitio web eprel.ec.europa.eu.

Leia atentamente as presentes instruções e siga todas as instruções, orientações e avisos incluídos neste manual, de modo a garantir sempre a correta instalação, utilização e manutenção do produto. É OBRIGATÓRIO manter estas instruções junto com o produto.

Ao utilizar o produto, está a confirmar que leu atentamente todas as instruções, orientações e avisos, e que compreende e aceita cumprir os termos e condições estabelecidos no presente manual. Aceita utilizar este produto exclusivamente para o fim e a aplicação a que se destina e de acordo com as instruções, orientações e avisos estabelecidos neste manual, assim como de acordo com todas as leis e regulamentos aplicáveis. Caso não leia nem siga as instruções e os avisos aqui estabelecidos, poderá sofrer ferimentos pessoais ou causar ferimentos a terceiros e o produto ou outros materiais nas proximidades poderão ficar danificados. Este manual do produto, incluindo as instruções, orientações e avisos, bem como a documentação relacionada, podem estar sujeitos a alterações e atualizações. Para consultar as informações atualizadas do produto, visite documents.dometic.com, [dometic.com](https://documents.dometic.com).



Pode encontrar o manual de instruções detalhado e informações sobre os dados técnicos online em
https://documents.dometic.com/?object_id=69924

Índice

1	Explicação dos símbolos	88
2	Indicações de segurança	89
3	Acessórios	91
4	Utilização adequada	92
5	Conectar o frigorífico	100
6	Eliminação	105
7	Dados técnicos	105

1 Explicação dos símbolos



AVISO!

Indicação de segurança: Indica uma situação perigosa que, se não for evitada, pode causar a morte ou ferimentos graves.



PRECAUÇÃO!

Indicação de segurança: Indica uma situação perigosa que, se não for evitada, pode causar ferimentos ligeiros ou moderados.



NOTA!

Indica uma situação que, se não for evitada, pode causar danos materiais.

**OBSERVAÇÃO**

Informações suplementares para a utilização do produto.

2 Indicações de segurança



AVISO! O incumprimento destes avisos poderá resultar em morte ou ferimentos graves.

Risco de eletrocussão

- Apenas técnicos qualificados podem executar a montagem e a remoção do frigorífico.
- As reparações neste frigorífico só podem ser realizadas por técnicos especializados. Reparções inadequadas podem levar a perigos graves ou a danos no frigorífico.
- Se o cabo de alimentação deste frigorífico estiver danificado, terá de ser substituído pelo fabricante, pelo serviço de assistência técnica ou por uma pessoa com qualificações equivalentes, de forma a evitar riscos de segurança.
- Ao posicionar o frigorífico, certifique-se de que o cabo de alimentação não fica preso nem é danificado.
- Não coloque tomadas múltiplas ou fontes de alimentação portáteis na parte de trás do frigorífico.
- Ligue o aparelho a tomadas que garantam uma ligação adequada, sobretudo se for necessário ligar o aparelho à terra.

Perigo de explosão

- Nunca abra o agregado de absorção. Este encontra-se sob elevada pressão e pode originar ferimentos durante a abertura.
- Não guarde substâncias com risco de explosão, como por ex. latas de spray com gás inflamável, no frigorífico.
- Coloque o aparelho em funcionamento **exclusivamente** com a pressão indicada na chapa de características. Utilize apenas um regulador de pressão com ajuste fixo em conformidade com as normas nacionais (na Europa, a EN 12864).

Perigo de incêndio

- Sempre que utilizar massa de vedação à base de silicone ou afins, garanta um processamento limpo e sem resíduos. Existe perigo de incêndio se os fios de silicone entrarem em contacto com componentes quentes ou chamas abertas.
- Nunca use uma chama aberta para verificar o aparelho quanto a fugas.
- Utilize apenas gás propano ou butano (**nunca** gás natural).
- O refrigerante no circuito de refrigeração é altamente inflamável e, em caso de fuga, os gases de combustão podem acumular-se se o aparelho estiver numa divisão pequena.
Em caso de danos no circuito de refrigeração (cheiro a amoníaco):
 - Mantenha chamas sem proteção e potenciais fontes de ignição afastadas do frigorífico.
 - Ventile bem a divisão.
 - Desligue o frigorífico.

Risco para a saúde

- Não coloque o aparelho em funcionamento se este apresentar danos visíveis.
- Se o cabo de alimentação de corrente alternada para este aparelho estiver danificado, ele tem de ser substituído pelo fabricante, por um agente de assistência técnica ou por uma pessoa com qualificações equivalentes, de forma a evitar perigos.

Risco de as crianças ficarem presas

- Certifique-se de que as prateleiras estão instaladas e fixadas para que não seja possível crianças trancarem-se dentro do frigorífico.
- Antes da eliminação do seu frigorífico usado:
 - Desmonte as gavetas.
 - Deixe ficar as prateleiras no frigorífico para que as crianças não entrem nele.

**PRECAUÇÃO! O incumprimento destas advertências poderá resultar em ferimentos ligeiros ou moderados.****Risco de eletrocussão**

- Antes de colocar o aparelho em funcionamento, certifique-se de que a conexão e a ficha estão secas.

Risco de esmagamento

- Não mexa no encosto da tampa com os dedos.

Risco para a saúde

- Para evitar riscos devido à instabilidade do frigorífico, este tem de ser fixado de acordo com as instruções de montagem.
- Não abra nem danifique, em caso algum, o circuito de refrigeração.

**NOTA! Risco de danos**

- Durante o transporte, pegue no aparelho apenas pelo corpo. Nunca pegue no aparelho pelo agregado de absorção, pelas aletas de refrigeração, pelos tubos de gás, pela porta ou pelo painel de comando.
- Não monte o aparelho na proximidade de chamas abertas ou outras fontes de calor (aquecedores, luz solar direta, fogões a gás, etc.).
- **Perigo de sobreaquecimento!**
Certifique-se sempre de que a ventilação é suficiente para que o calor gerado durante o funcionamento seja devidamente dissipado. Certifique-se de que o aparelho está posicionado a uma distância suficiente de paredes ou objetos de modo a que o ar possa circular livremente.
- Verifique se a indicação de tensão na placa de dados corresponde à da fonte de alimentação existente.
- Ligue o aparelho à rede de corrente alternada apenas com o cabo de conexão de corrente alternada fornecido.
- Utilize apenas cabos com uma secção transversal adequada.
- Nunca retire a ficha da tomada puxando pelo cabo de conexão.
- O aparelho não pode ser exposto à chuva.

3 Acessórios

Descrição

Tubagem de gás flexível

Vedante para uma montagem protegida de correntes de ar para juntas de 1 – 5 mm (fig. **9 B**, página 7)

Vedante para uma montagem protegida de correntes de ar para juntas de 5 – 10 mm (fig. **9 C**, página 7)

Cobertura de inverno WA 130 para a grelha de ventilação LS 200

Descrição

Cabo adaptador

- WAGO para CEE
- WAGO para UK
- WAGO para JST
- WAGO para MATE-N-LOK

Kit ventilador opcional REF-FANKIT

Conjunto de pilhas opcional R10-BP para o funcionamento a gás independente

Kit de armazenamento opcional

4 Utilização adequada

O frigorífico é adequado para:

- Montagem em caravanas e autocaravanas
- Refrigeração, ultracongelamento e armazenamento de géneros alimentícios

O frigorífico não é adequado para:

- Armazenar medicamentos
- Armazenar substâncias corrosivas ou substâncias que contenham solventes
- Congelar rapidamente géneros alimentícios

O frigorífico está concebido para a instalação num móvel ou num nicho de instalação.

Este frigorífico não está concebido para ser utilizado em aplicações domésticas.

O compartimento para produtos congelados é adequado para armazenar géneros alimentícios pré-congelados, armazenar ou fazer gelado e fazer cubos de gelo. Não se destina a congelar géneros alimentícios previamente descongelados.

Este produto destina-se exclusivamente à aplicação e aos fins pretendidos com base nestas instruções.

Este manual fornece informações necessárias para proceder a uma instalação e/ou a uma operação adequadas do produto. Uma instalação e/ou uma operação ou manutenção incorretas causarão um desempenho insatisfatório e uma possível avaria.

O fabricante não aceita qualquer responsabilidade por danos ou prejuízos no produto resultantes de:

- Montagem ou ligação incorreta, incluindo sobretensões

- Manutenção incorreta ou utilização de peças sobressalentes não originais fornecidas pelo fabricante
- Alterações ao produto sem autorização expressa do fabricante
- Utilização para outras finalidades que não as descritas no presente manual

A Dometic reserva-se o direito de alterar o design e as especificações do produto.

Este produto destina-se exclusivamente à aplicação e aos fins pretendidos com base nestas instruções.

Este manual fornece informações necessárias para proceder a uma instalação e/ou a uma operação adequadas do produto. Uma instalação e/ou uma operação ou manutenção incorretas causarão um desempenho insatisfatório e uma possível avaria.

O fabricante não aceita qualquer responsabilidade por danos ou prejuízos no produto resultantes de:

- montagem ou ligação incorreta, incluindo sobretensões
- manutenção incorreta ou utilização de peças sobressalentes não originais fornecidas pelo fabricante
- alterações ao produto sem autorização expressa do fabricante
- utilização para outras finalidades que não as descritas no presente manual

A Dometic reserva-se o direito de alterar o design e as especificações do produto.

Montar o frigorífico



PRECAUÇÃO! Risco para a saúde

Para evitar riscos devido à instabilidade do aparelho, este tem de ser fixado de acordo com as instruções.



Para mudar o batente da porta e a placa decorativa, consulte o manual de instruções online em <https://dometic.com/manuals>

4.1 Preparar a montagem

**NOTA!**

- O frigorífico não pode ser montado na traseira de autocaravanas com a porta virada para o sentido da marcha.
- Use exclusivamente grelhas de ventilação originais da Dometic para garantir um funcionamento seguro.

Durante a montagem do frigorífico, tenha em conta as seguintes indicações:

- Assegure-se de que o piso é sólido e plano.
Para isso, estacione o veículo horizontalmente.
- Assegure-se de que o frigorífico está nivelado.
- O frigorífico tem de ser montado de modo a facilitar
 - o acesso para os trabalhos de assistência
 - a desmontagem e a montagem
 - a remoção do veículo
- O frigorífico tem de ser instalado num nicho de modo a permanecer seguro durante a deslocação do veículo. Ter em consideração as seguintes dimensões (fig. **1**, página 3 e fig. **2**, página 4):

	RM10.5(S)(T)	RMS10.5(S)(T)	RMS10.5X(S)(T)
Frigorífico	Dimensões totais em mm		
Altura (A)	821	821	821
Largura (B)	523	523	523
Profundidade (C) (excluindo o botão de controlo de 5mm)	548	548	603
Nicho	Dimensões em mm		
Altura (H)	≥829	≥829	≥829
Largura (W)	≥525,5	≥525,5	≥525,5
Profundidade (D)	≥563	≥563	≥618

- O frigorífico tem de ser instalado com uma distância mínima de 5 mm ao chão para garantir que a porta abre corretamente (fig. **3**, página 4).
 - Evite pousar o frigorífico diretamente no chão.
 - Certifique-se de que nenhum tapete interfere com a livre movimentação da porta.

- A parede exterior tem de ser equipada com uma abertura de entrada de ar (fig. **4** 1, página 4) e uma abertura de saída de ar (fig. **4** 2, página 4) com grelhas de ventilação, por forma que o calor gerado possa ser conduzido facilmente para o exterior:
 - Abertura de entrada de ar: coloque a grelha de ventilação de forma tão alinhada quanto possível com a base do nicho de montagem.
 - Abertura de saída de ar: colocada o mais acima possível do frigorífico.
 - A distância entre as aberturas de entrada e saída de ar tem de ser de, no mínimo, 750 mm para RM10.5 e de 534 mm para RMS10.5 (fig. **5**, página 5).
- Instale um defletor térmico (fig. **5** 1, página 5) por cima do frigorífico para que o calor não fique acumulado no interior do veículo.
- A distância entre o frigorífico e a parede traseira tem de ser de, pelo menos, 15 mm, mas não mais do que 25 mm.
- Uma distância superior a 25 mm entre o frigorífico e a parede traseira leva à perda de potência e ao aumento do consumo de energia do frigorífico. Reduza o espaço livre atrás do frigorífico de modo a obter uma entrada e uma saída de ar adequadas (fig. **6**, página 5). Para isso, utilize, por exemplo, um defletor de ar.
- Se não for possível manter a distância mínima entre a entrada e a saída de ar, será necessário instalar um ventilador de tejadilho em vez da abertura de saída de ar.
 - O ventilador de tejadilho deverá ser instalado o mais diretamente possível acima da parte traseira do frigorífico. Utilize uma conduta de ar (fig. **7** 1, página 6) se tiver de instalar o ventilador de tejadilho de modo deslocado; caso contrário, o calor pode acumular-se aí.
 - A distância entre a abertura de entrada de ar e o ventilador de tejadilho tem de ser de, pelo menos, 750 mm para RM10.5 e de 534 mm para RMS10.5 (fig. **7**, página 6).
 - Se o tejadilho estiver equipado com um sistema de ar condicionado, a distância entre o ventilador de tejadilho (fig. **8** 1, página 7) e a saída de ar do sistema de ar condicionado no tejadilho (fig. **8** 2, página 7) tem de ser de, pelo menos, 300 mm.
- O frigorífico não pode ser montado no lado das aberturas de entrada e saída de ar, pois tal provocará uma perda de potência e o aumento do consumo de energia do frigorífico.
- As aberturas de entrada e saída de ar não podem ficar tapadas por partes do veículo (uma porta aberta ou acessórios montados, como porta-bicicletas, p. ex.) durante o funcionamento.
- Instale o frigorífico de modo a protegê-lo de calor excessivo, pois este provocará um desempenho fraco e aumentará o consumo de energia do frigorífico.

- O frigorífico tem de ser instalado num local protegido de correntes de ar.

4.2 Montar o frigorífico num local protegido de correntes de ar



AVISO! Perigo de incêndio!

Para uma montagem protegida de correntes de ar, não utilize materiais inflamáveis tais como massa vedante à base de silicone, espuma ou semelhantes.

Os frigoríficos operados a gás em caravanas ou autocaravanas têm de ser instalados num local protegido de correntes de ar. Isto significa que o ar de combustão não é extraído do interior, impedindo-se, assim, a entrada direta dos gases de exaustão no habitáculo.

Entre a parede traseira do frigorífico e o espaço interior do veículo há que instalar uma vedação adequada.

O fabricante recomenda a utilização de uma vedação flexível, de modo a facilitar a montagem e desmontagem para fins de manutenção.

Selecione uma das três versões para a montagem protegida de correntes de ar (fig. **9**, página 8):

Barra de encosto por trás do frigorífico (A)

1. Cole um lábio de vedação flexível (**1**) à barra de encosto (**2**) por trás do frigorífico (**3**).
 2. Empurre o combinado frigorífico/forno contra a barra de encosto com os lábios de vedação flexíveis.
- ✓ O espaço por trás do frigorífico está vedado para o interior do veículo.

Distância da junta lateral até 5 mm entre o frigorífico e os móveis (B)

1. Cole os lábios de vedação (ver capítulo “Acessórios” na página 91) no lado dos móveis (**4**).
 2. Empurre o combinado frigorífico/forno contra os lábios de vedação flexíveis nos móveis.
- ✓ O espaço por trás do frigorífico está vedado para o interior do veículo.

Distância da junta lateral de 5 a 10 mm entre o frigorífico e os móveis (B)

1. Cole a vedação de lábio duplo (ver capítulo “Acessórios” na página 91) no lado dos móveis (4).
 2. Empurre o combinado frigorífico/forno contra a vedação de lábio duplo nos móveis.
- ✓ O espaço por trás do frigorífico está vedado para o interior do veículo.

4.3 Criar aberturas de entrada e saída de ar



OBSERVAÇÃO

- Os desvios às variações da entrada e saída de ar aqui representados têm de ser aprovados pelo fabricante.
- Em caso de temperaturas ambiente extremas, o frigorífico só consegue atingir a sua potência de refrigeração máxima se tiver sido providenciada uma ventilação ideal.

- Faça aberturas de entrada e saída de ar na parede exterior com uma dimensão de 451 mm x 156 mm.

Para isso, tenha em atenção as indicações, ver capítulo “Preparar a montagem” na página 93.

Se a grelha de ventilação da abertura de entrada de ar não puder ser instalada de forma alinhada com o piso do nicho, instale uma abertura de entrada de ar no chão. Eventuais fugas de gás poderão, assim, fluir para baixo.

1. Faça uma abertura de entrada de ar no chão de, no mínimo, \varnothing 40 mm (fig. 10 1, página 9) por trás do frigorífico, ao lado do queimador a gás.
2. Resguarde o exterior da abertura com um defletor de modo a evitar a entrada de resíduos ou sujidades durante a viagem (fig. 10 2, página 9).

Se tiver de usar um ventilador de tejadilho em vez da abertura de saída de ar:

- Faça um recorte no tejadilho. Consulte as dimensões necessárias no manual do ventilador de tejadilho.
- Ao fazê-lo, tenha em atenção as informações no capítulo “Preparar a montagem” na página 93.

4.4 Instalar a grelha de ventilação



OBSERVAÇÃO

Use exclusivamente grelhas de ventilação originais da Dometic para garantir um funcionamento seguro.

N.º na fig. 11 , página 9	Descrição
1	Armação de montagem
2	Grelha de ventilação
3	Patilha deslizante
4	Cobertura de inverno para a grelha de ventilação (acessórios)
5	Adaptador para a mangueira de escoamento da água de condensação

1. Vede a armação de montagem para tornar a conexão estanque (fig. **12**, página 9).
2. Insira a armação de montagem e aparafuse-a firmemente (fig. **13**, página 9). Para tal, utilize todos os orifícios de fixação.
3. Instale o adaptador da mangueira conforme ilustrado (fig. **14** 1, página 10).
4. Insira a grelha de ventilação conforme ilustrado (fig. **15**, página 10).

4.5 Instalar o dreno de condensação



OBSERVAÇÃO

- É possível que se forme condensação no interior do frigorífico devido a uma abertura frequente da porta, ao armazenamento incorreto de géneros alimentícios ou ao armazenamento de géneros alimentícios ainda quentes.
- A condensação tem de ser drenada com uma inclinação constante.

Instale o dreno da seguinte forma:

- Insira a mangueira de condensação diretamente no adaptador na grelha de ventilação (fig. **14** 2 página 10).

4.6 Montar o ventilador de tejadilho

N.º na fig. 16, página 10	Descrição
1	Cobertura
2	Armação de montagem

1. Vede a armação de montagem para tornar a conexão estanque (fig. 17, página 10).
2. Insira a armação de montagem e aparafuse-a firmemente (fig. 18, página 11). Para tal, utilize todos os orifícios de fixação.
3. Insira a cobertura e aparafuse-a bem (fig. 19, página 11).

4.7 Fixar o frigorífico



PRECAUÇÃO!

Aparafuse apenas através dos orifícios previstos para o efeito, caso contrário, os componentes com espuma, tais como cabos, podem ficar danificados.



OBSERVAÇÃO

Fixe as paredes laterais ou os frisos instalados de modo que os parafusos fiquem bem apertados, mesmo sob cargas elevadas (durante viagens).

1. Mova o frigorífico para a sua localização final.
2. Fixe os parafusos (fig. 20 1, página 11) através da anilha de plástico nas paredes laterais do frigorífico até alcançar a parede.
3. Coloque as tampas (fig. 20 2, página 11) nas cabeças dos parafusos.

5 Conectar o frigorífico

5.1 Ligar à alimentação de gás



AVISO! O incumprimento destes avisos poderá resultar em morte ou ferimentos graves. Risco para a saúde

- Este frigorífico só pode ser ligado à alimentação de gás por um técnico qualificado, de acordo com as regulamentações e normas nacionais em vigor.
- **Não** é permitida a ligação através de uma mangueira.
- Utilize uma conexão de parafuso selada com metal.
- O filtro de gás (branco) na conexão de gás do frigorífico não pode ser removido.
- Utilize apenas botijas de gás propano ou butano (nunca gás natural ou gás de cidade) com uma válvula redutora de pressão aprovada e uma peça de topo adequada. Compare a indicação da pressão na chapa de características com a indicação da pressão no regulador de pressão da botija de gás propano ou butano.
- Coloque o frigorífico em funcionamento **exclusivamente** com a pressão indicada na chapa de características.
- Coloque o frigorífico em funcionamento **exclusivamente** com o tipo de gás indicado na chapa de características.
- Respeite as pressões permitidas no seu país. Utilize apenas um regulador de pressão com ajuste fixo em conformidade com as normas nacionais.



OBSERVAÇÃO

Opcionalmente, pode usar o tubo flexível de ligação de gás da Dometic para manter a instalação isenta de tensão.

O frigorífico tem de poder ser desconectado da linha de gás separadamente através de um dispositivo de corte. O dispositivo de desconexão tem de ser facilmente acessível.

1. Ligue o frigorífico manualmente e de forma segura à alimentação de gás (fig. **21**, página 11).



AVISO! Perigo de explosão

É muito importante respeitar os seguintes binários de aperto:

Posição na fig. 21, página 11	Descrição
1	Parafuso M4 (Torx TX20), Binário de aperto: 2 Nm
2	Conexão de gás do frigorífico: M14 x 1,5 (d = 8 mm/ISO 8434 (DIN 2353))
3	Tubo de gás com anel de acoplamento (tamanho 17), Binário de aperto: 25 Nm

- Solicite a execução de um teste de fugas e de um teste de chamas por um especialista autorizado depois de efetuada uma montagem profissional.
Solicite um comprovativo de inspeção e entregue este comprovativo ao consumidor final, que o deverá conservar.

5.2 Ligar à corrente contínua (CC) e corrente alternada (CA)



AVISO! O incumprimento destes avisos poderá resultar em morte ou ferimentos graves. Risco de eletrocussão

A instalação elétrica e as reparações só podem ser realizadas por um técnico de acordo com as regulamentações e normas nacionais em vigor.



OBSERVAÇÃO

- A ficha do aparelho não pode ser colocada diretamente atrás da grelha de ventilação para evitar que a circulação do ar seja de alguma forma limitada e para proteger a ficha do aparelho contra salpicos de água.
- A ficha do aparelho do cabo de conexão de corrente alternada não pode ser cortada.
- Os cabos de conexão têm de ser instalados de modo a não tocarem em peças quentes do agregado/queimador nem em arestas afiadas.
- Alterações na instalação elétrica interna ou a conexão de outros componentes elétricos (p. ex., ventiladores adicionais de terceiros) à cablagem interna do frigorífico levam à anulação de qualquer direito relacionado com a garantia e responsabilidade pelo produto.
- Os frigoríficos RM10.5 e RMS10.5 dispõem de uma interface de bus CI e podem ser controlados através de um monitor do veículo central compatível.

Esquema de ligações do frigorífico (fig. 22, página 12)

Posição na fig. 22, página 12	Descrição
1	Ventilador 1 (se o módulo de opções estiver disponível)
2	Módulo de opções (opcional)
3	Fonte de alimentação de corrente contínua para o forno (se o módulo de opções estiver disponível)
4	Fonte de alimentação de corrente contínua para o módulo de alimentação
5	NTC 2: temperatura exterior (opcional)
6	NTC 1: Sensor de temperatura de alimentos frescos
7	Válvula de gás
8	Iluminação
9	Interruptor Reed
10	S+ (opcional)
11	Elemento de aquecimento de corrente contínua

Posição na fig. 22, página 12	Descrição
12	Fusível de 15 A
13	Relé de corrente contínua para o cartucho de aquecimento
14	Entrada de gás
15	Bloco de conexão de corrente contínua
16	Cabo de alimentação de corrente contínua para o sistema eletrónico
17	Cabo de alimentação de corrente contínua para o elemento de aquecimento
18	Ligação bus CI
19	Conexão de corrente alternada
20	Elemento de aquecimento de corrente alternada
21	Terra
22	Proteção de corrente alternada de terra
23	Eléctrodo de ignição
24	Módulo de alimentação
25	Módulo de indicação

Alimentação por corrente contínua



AVISO! Perigo de incêndio

- A linha de alimentação até ao elemento de aquecimento tem de estar protegida por um fusível de 15 A.
- A linha de alimentação até ao sistema eletrónico tem de estar protegida por um fusível de 2 A.



NOTA!

As respetivas linhas de alimentação positiva e negativa das conexões de corrente contínua para o sistema eletrónico (fig. 22 16, página 12) e para o elemento de aquecimento (fig. 22 17, página 12) **não** podem ser unidas e instaladas num único fio. Tal poderá causar interferências elétricas ou danos nos componentes elétricos.

Tenha em atenção as seguintes dimensões dos cabos (fig. **23**, página 14):

- Conexões do elemento de aquecimento:
 - < 6 m (no interior): $\geq 6 \text{ mm}^2$
 - > 6 m (no interior): $\geq 10 \text{ mm}^2$
 - Cabo alimentado pela lança de tração (apenas caravanas): $\geq 2,5 \text{ mm}^2$
 - Conexões do sistema eletrónico: $\geq 0,75 \text{ mm}^2$
 - Conexões D+ e S+: $\geq 0,75 \text{ mm}^2$
1. Monte a sua tomada de corrente contínua conforme indicado em seguida (fig. **22**, página 12):
 - Ligue **A** e **C** ao polo positivo da bateria.
 - Ligue **D** e **F** a terra.
 - Ligue **B** ao sinal D+.
O sistema eletrónico do frigorífico usa o sinal D+ do alternador para reconhecer que o motor do veículo está a trabalhar. No modo automático, o frigorífico seleciona o modo de funcionamento mais favorável. O frigorífico funciona exclusivamente com corrente contínua quando o motor do veículo está a trabalhar.
 - Ligue **E** ao bus Cl.
 2. Ligue **10** ao sinal S+ (opcional).
 3. Proteja a linha de alimentação **A** com um fusível de 2 A no distribuidor do veículo.
 4. Proteja a linha de alimentação **C** com um fusível de 15 A no distribuidor do veículo.
 5. Passe a linha de alimentação **C** por um relé controlado pela ignição.
Isto evita que a bateria se descarregue completamente se o motor for inadvertidamente desligado.

Alimentação por corrente alternada

- Ligue o frigorífico a uma tomada CA utilizando a ficha do aparelho.

6 Eliminação

Reciclagem de produtos com baterias, baterias recarregáveis ou fontes de luz não substituíveis



➤ Se o produto contiver quaisquer pilhas, baterias recarregáveis ou fontes de luz não substituíveis, não tem de as remover antes da eliminação.

➤ Para eliminar definitivamente o produto, informe-se junto do centro de reciclagem ou revendedor mais próximo sobre as disposições de eliminação aplicáveis.



➤ O produto pode ser eliminado gratuitamente.




Reciclagem do material de embalagem



➤ Sempre que possível, coloque o material de embalagem no respetivo contentor de reciclagem.

7 Dados técnicos

	RM10.5(S)(T)	RMS10.5(S)(T)	RMS10.5X(S)(T)
Tensão de conexão:	230 V~ /50 Hz 12 V==		
Volume			
Volume bruto:	88 l	78 l	92 l
Compartimento do frigorífico:	78,7 l	69,1 l	80,3 l
Congelador:	9,2 l	9,2 l	12,1 l
Capacidade líquida total:	86 l	76 l	90 l
Exceto congelador			
Volume bruto:	93 l	83 l	98 l
Volume líquido:	91 l	81 l	96 l
Potência de entrada:	135 W (230 V~) 130 W (12 V==)		
Consumo de energia:	2,8 kWh/24 h (230 V~)	2,5 kWh/24 h (230 V~)	3,2 kWh/24 h (230 V~)
Consumo de gás:	270 g/24 h		
Pressão da conexão de gás:	30 mbar		
Classe de climatização:	SN		

	RM10.5(S)(T)	RMS10.5(S)(T)	RMS10.5X(S)(T)
Dimensões A x L x P:	821 x 523 x 548 mm		821 x 523 x 603 mm
Peso:	28 kg	27,4 kg	29 kg
Inspeção/certificação:	  		

Para consultar a Declaração de Conformidade UE atual para o seu dispositivo, aceda à página do produto em questão em dometic.com ou entre diretamente em contacto com o fabricante (ver dometic.com/dealer).

Consulte mais informações sobre o produto através do código QR existente no rótulo energético no produto ou em eprel.ec.europa.eu.

Si prega di leggere attentamente e di seguire tutte le istruzioni, le linee guida e le avvertenze incluse in questo manuale del prodotto, al fine di garantire che il prodotto venga sempre installato, utilizzato e mantenuto nel modo corretto. Queste istruzioni DEVONO essere conservate insieme al prodotto.

Utilizzando il prodotto, l'utente conferma di aver letto attentamente tutte le istruzioni, le linee guida e le avvertenze e di aver compreso e accettato di rispettare i termini e le condizioni qui espressamente indicati. L'utente accetta di utilizzare questo prodotto solo per lo scopo e l'applicazione previsti e in conformità con le istruzioni, le linee guida e le avvertenze indicate nel presente manuale del prodotto, nonché in conformità con tutte le leggi e i regolamenti applicabili. La mancata lettura e osservanza delle istruzioni e delle avvertenze qui espressamente indicate può causare lesioni personali e a terzi, danni al prodotto o ad altre proprietà nelle vicinanze. Il presente manuale del prodotto, comprese le istruzioni, le linee guida e le avvertenze e la relativa documentazione possono essere soggetti a modifiche e aggiornamenti. Per informazioni aggiornate sul prodotto, si prega di visitare il sito documents.dometic.com, dometic.com.



Il manuale di istruzioni nella versione dettagliata e le informazioni sulle specifiche tecniche sono disponibili online all'indirizzo:

https://documents.dometic.com/?object_id=69924

Indice

1	Spiegazione dei simboli	106
2	Istruzioni per la sicurezza	107
3	Accessori	109
4	Destinazione d'uso	110
5	Collegamento del frigorifero	118
6	Smaltimento	122
7	Specifiche tecniche.	123

1 Spiegazione dei simboli



AVVERTENZA!

Istruzione per la sicurezza: indica una situazione di pericolo che, se non evitata, può provocare lesioni gravi o mortali.



ATTENZIONE!

Istruzione per la sicurezza: indica una situazione di pericolo che, se non evitata, può provocare lesioni di entità lieve o moderata.

**AVVISO!**

Indica una situazione di pericolo che, se non evitata, può provocare danni alle cose.

**NOTA**

Informazioni supplementari relative all'impiego del prodotto.

2 Istruzioni per la sicurezza



AVVERTENZA! La mancata osservanza di queste avvertenze potrebbe causare la morte o lesioni gravi.

Pericolo di scosse elettriche

- L'installazione e la rimozione del frigorifero possono essere eseguite soltanto da personale qualificato.
- Il frigorifero può essere riparato solo da personale specializzato. Le riparazioni che non vengono eseguite in maniera corretta possono causare gravi pericoli o danni al frigorifero.
- Se il cavo di collegamento di questo frigorifero viene danneggiato, per evitare pericoli, farlo sostituire dal produttore, dal suo servizio assistenza clienti o da personale con la qualifica necessaria.
- Durante il posizionamento del frigorifero, assicurarsi che il cavo di alimentazione non venga bloccato o danneggiato.
- Non collocare prese multiple portatili o alimentatori portatili sul retro del frigorifero.
- Collegare l'apparecchio a prese che garantiscano una connessione adeguata, soprattutto quando l'apparecchio deve essere collegato alla massa.

Pericolo di esplosione

- Non aprire mai il gruppo di assorbimento perché è sotto alta pressione e, se aperto, può causare lesioni.
- Nel frigorifero non conservare sostanze che possono esplodere, come ad es. bombolette spray con gas propellente infiammabile.
- Far funzionare l'apparecchio **esclusivamente** con la pressione indicata sulla targhetta. Utilizzare solo regolatori di pressione, a regolazione fissa, che rispettino le norme nazionali (in Europa EN 12864).

Pericolo di incendio

- Durante l'applicazione di mastice al silicone o simili far attenzione a non lasciare residui, perché se i filamenti di silicone entrano in contatto con fiamme libere c'è il rischio che prendano fuoco.
- Non usare mai fiamme libere per controllare eventuali difetti di tenuta dell'apparecchio.
- Impiegare solo propano o butano (**non** metano).
- Il refrigerante nel circuito di raffreddamento è altamente infiammabile e in caso di perdita, i gas combustibili potrebbero accumularsi se l'apparecchio si trova in un ambiente di piccole dimensioni. In caso di danneggiamento del circuito di raffreddamento (odore di ammoniaca):
 - Tenere le fiamme libere e potenziali fonti di accensione lontane dal frigorifero.
 - Aerare bene l'ambiente.
 - Disattivare il frigorifero.

Pericolo per la salute

- Non mettere in funzione l'apparecchio se presenta danni visibili.
- Se il cavo di collegamento CA di questo apparecchio è danneggiato, per evitare pericoli per la sicurezza, farlo sostituire dal produttore, dal servizio di assistenza o da personale con la qualifica necessaria.

Rischio di intrappolamento per i bambini

- Assicurarsi che i ripiani siano montati e fissati in modo che i bambini non possano chiudersi all'interno del frigorifero.
- Prima di smaltire il vostro vecchio frigorifero:
 - Smontare il cassetto.
 - Lasciare i piani d'appoggio all'interno del frigorifero in modo che i bambini non possano usarli come mezzi di salita.

**ATTENZIONE! La mancata osservanza di queste precauzioni potrebbe causare lesioni lievi o moderate.****Pericolo di scosse elettriche**

- Prima della messa in funzione dell'apparecchio, assicurarsi che la rete di alimentazione e la spina siano asciutte.

Pericolo di schiacciamento

- Non mettere le dita nella cerniera.

Pericolo per la salute

- Per evitare pericoli dovuti all'instabilità del frigorifero, fissarlo seguendo le istruzioni di installazione.

- Non aprire o danneggiare in nessun caso il circuito di raffreddamento.



AVVISO! Rischio di danni

- Fissare l'apparecchio durante il trasporto solo utilizzando la struttura centrale. Non tenerlo fermo mai per il gruppo di assorbimento, le alette di raffreddamento, i tubi del gas, la porta o il pannello di controllo.
- Non montare l'apparecchio nelle vicinanze di fiamme libere o altre fonti di calore (riscaldamento, forni a gas, ecc.).
- **Pericolo di surriscaldamento!**
Assicurarsi sempre che il calore generato durante il funzionamento possa fuoriuscire liberamente. Fare in modo che la distanza fra l'apparecchio e le pareti o altri oggetti sia tale da permettere all'aria di circolare.
- Controllare che i dati della tensione riportati sulla targhetta corrispondano a quelli dell'alimentazione.
- Collegare l'apparecchio alla presa di corrente alternata usando esclusivamente il cavo previsto per l'allacciamento alla corrente alternata.
- Utilizzare solo cavi con una sezione corrispondente.
- Non estrarre mai la spina dalla presa tirando il cavo di collegamento.
- Non esporre l'apparecchio alla pioggia.

3 Accessori

Descrizione

Tubo flessibile del gas

Guarnizione per il montaggio indipendente dall'aria circostante per fessure di 1 – 5 mm (fig. **9 B**, pagina 7)

Guarnizione per il montaggio indipendente dall'aria circostante per fessure di 5 – 10 mm (fig. **9 C**, pagina 7)

Copertura invernale WA 130 per la griglia di ventilazione LS200

Cavo adattatore

- WAGO a CEE
- WAGO a UK
- WAGO a JST
- WAGO a MATE-N-LOK

Descrizione

Kit di aerazione REF-FANKIT opzionale

Pacco batterie opzionale R10-BP per il funzionamento a gas indipendente

Kit di stoccaggio opzionale

4 Destinazione d'uso

Il frigorifero è adatto per:

- essere installato su camper e caravan
- refrigerare, congelare e conservare alimenti.

Il frigorifero non è adatto per:

- conservare medicinali
- conservare sostanze corrosive o sostanze contenenti solventi
- il congelamento rapido degli alimenti

Il frigorifero è destinato all'installazione in un mobile o in una nicchia di installazione.

Questo frigorifero non è destinato all'uso domestico.

Gli scomparti per prodotti congelati sono adatti alla conservazione di alimenti pre-surgelati, alla conservazione o alla produzione di gelato e alla produzione di cubetti di ghiaccio. Non è adatta per congelare alimenti.

Questo prodotto è adatto solo per l'uso e l'applicazione previsti in conformità con le presenti istruzioni.

Il presente manuale fornisce le informazioni necessarie per la corretta installazione e/o il funzionamento del prodotto. Un'installazione errata e/o un utilizzo o una manutenzione impropri comporteranno prestazioni insoddisfacenti e un possibile guasto.

Il produttore non si assume alcuna responsabilità per eventuali lesioni o danni al prodotto che derivino da:

- montaggio o collegamento non corretti, compresa la sovratensione
- manutenzione non corretta o uso di ricambi diversi da quelli originali forniti dal produttore
- modifiche al prodotto senza esplicita autorizzazione del produttore
- impiego per scopi diversi da quelli descritti nel presente manuale.

Dometic si riserva il diritto di modificare l'aspetto e le specifiche del prodotto.

Questo prodotto è adatto solo per l'uso e l'applicazione previsti in conformità con le presenti istruzioni.

Il presente manuale fornisce le informazioni necessarie per la corretta installazione e/o il funzionamento del prodotto. Un'installazione errata e/o un utilizzo o una manutenzione impropri comporteranno prestazioni insoddisfacenti e un possibile guasto.

Il produttore non si assume alcuna responsabilità per eventuali lesioni o danni al prodotto che derivino da:

- montaggio o collegamento non corretti, compresa la sovratensione
- manutenzione non corretta o uso di ricambi diversi da quelli originali forniti dal produttore
- modifiche al prodotto senza esplicita autorizzazione del produttore
- impiego per scopi diversi da quelli descritti nel presente manuale.

Dometic si riserva il diritto di modificare l'aspetto e le specifiche del prodotto.

Montaggio del frigorifero



ATTENZIONE! Pericolo per la salute

Per evitare pericoli a causa dell'instabilità dell'apparecchio, fissarlo secondo le istruzioni.



Il manuale di istruzioni per la sostituzione del fermaporta e del pannello decorativo sono disponibili online all'indirizzo:
<https://dometic.com/manuals>

4.1 Operazioni preliminari al montaggio



AVVISO!

- Il frigorifero non può essere installato nella parte posteriore dei caravan con la porta rivolta in direzione di marcia.
- Al fine di garantire un funzionamento sicuro, utilizzare esclusivamente griglie di ventilazione originali Dometic.

Durante il montaggio del frigorifero, prestare attenzione alle seguenti indicazioni:

- Assicurarsi che il pavimento sia solido e piano.
A tal fine parcheggiare il veicolo in piano.
- Assicurarsi che il frigorifero sia in piano.
- Il frigorifero deve essere installato in modo da
 - essere facilmente accessibile per i lavori di manutenzione
 - permettere uno smontaggio e montaggio facili
 - essere rimosso facilmente dal veicolo
- Il frigorifero deve essere montato in una nicchia affinché rimanga sicuro quando il veicolo è in movimento. Osservare le seguenti dimensioni (fig. **1**, pagina 3 e fig. **2**, pagina 4):

	RM10.5(S)(T)	RMS10.5(S)(T)	RMS10.5X(S)(T)
Frigorifero	Dimensione complessive in mm		
Altezza (A)	821	821	821
Larghezza (B)	523	523	523
Profondità (C) (esclude la manopola 5 mm)	548	548	603
Recesso	Dimensioni in mm		
Altezza (H)	≥829	≥829	≥829
Larghezza (W)	≥525,5	≥525,5	≥525,5
Profondità (D)	≥563	≥563	≥618

- Il frigorifero deve essere installato con una distanza minima di 5 mm dal pavimento per garantire che la porta possa essere aperta correttamente (fig. **3**, pagina 4).
 - Evitare di posizionare il frigorifero direttamente sul pavimento.
 - Assicuratevi che nessun tappeto interferisca con il libero movimento della porta.
- La parete esterna deve essere provvista di un'apertura di ventilazione (fig. **4** 1, pagina 4) e di una di sfiato (fig. **4** 2, pagina 4) con griglie di ventilazione per permettere al calore generato di essere rilasciato facilmente all'esterno:
 - Apertura di ventilazione: Inserire la griglia di ventilazione il più possibile a livello del pavimento della nicchia di montaggio.
 - Apertura di sfiato: montarla il più in alto possibile, sopra il frigorifero.
 - La distanza tra l'apertura di ventilazione e quella di sfiato deve essere di almeno 750 mm per RM10.5 e 534 mm per RMS10.5 (fig. **5**, pagina 5).

- Sul lato superiore del frigorifero, predisporre un deflettore di calore in lamiera (fig. **5** 1, pagina 5), affinché il calore non ristagni nel veicolo.
- La distanza tra il frigorifero e la parete posteriore deve essere di almeno 15 mm ma non superiore a 25 mm.
- Una distanza superiore a 25 mm tra il frigorifero e la parete posteriore porta a una riduzione delle prestazioni e a un aumento del consumo energetico del frigorifero. Ridurre lo spazio dietro il frigorifero in modo da consentire aerazione e sfiato (fig. **6**, pagina 5). A tal fine utilizzare ad esempio un deflettore.
- Se la distanza minima tra l'apertura di ventilazione e quella di sfiato non può essere rispettata, al posto dell'apertura di sfiato deve essere montato uno sfiatoio a tetto.
 - Lo sfiatoio a tetto deve essere montato direttamente sopra il lato posteriore del frigorifero. Per montare lo sfiatoio a tetto in posizione sfalsata, utilizzare una conduttura d'aria (fig. **7** 1, pagina 6) poiché altrimenti può verificarsi un accumulo di calore.
 - La distanza tra l'apertura di ventilazione e lo sfiatoio a tetto deve essere di almeno 750 mm per RM10.5 e 534 mm per RMS10.5 (fig. **7**, pagina 6).
 - Se è presente un climatizzatore a tetto, la distanza tra lo sfiatoio a tetto (fig. **8** 1, pagina 7) e l'uscita dell'aria del climatizzatore (fig. **8** 2, pagina 7) deve essere di almeno 300 mm.
- Il frigorifero non deve essere montato accanto alle aperture di ventilazione e di sfiato poiché questo potrebbe ridurne le prestazioni e aumentarne il consumo energetico.
- Durante il funzionamento, l'apertura di ventilazione e quella di sfiato non devono essere coperte da parti del veicolo (ad es. da una porta aperta o da accessori come il portabiciclette).
- Installare il frigorifero in modo tale che sia protetto da un'eccessiva esposizione a fonti di calore, poiché queste ne causerebbero una riduzione delle prestazioni e un aumento del consumo energetico.
- Il frigorifero deve essere montato in modo da essere indipendente dall'aria circostante.

4.2 Montaggio del frigorifero indipendente dall'aria circostante



AVVERTENZA! Pericolo di incendio!

Per il montaggio indipendente dall'aria circostante non utilizzare materiali facilmente infiammabili, come mastici al silicone, schiuma per montaggio o materiali simili.

I frigoriferi con funzionamento a gas integrati in caravan o motorhome devono essere montati in posizione indipendente dall'aria circostante. Questo significa che l'aria di combustione non viene prelevata dall'abitacolo e i gas di scarico non possono entrare direttamente nella cellula abitativa.

Fra le parete posteriore del frigorifero e l'abitacolo del veicolo deve essere prevista una tenuta adatta.

Al fine di facilitare le operazioni di smontaggio e montaggio in fase di manutenzione, il produttore raccomanda di utilizzare una guarnizione flessibile.

Selezionare una delle tre versioni per il montaggio indipendente dall'aria circostante (fig. **9**, pagina 8):

Barra di bloccaggio dietro il frigorifero (A)

1. Incollare un labbro di tenuta flessibile (**1**) alla barra di bloccaggio (**2**) dietro il frigorifero (**3**).
 2. Spingere il gruppo frigorifero-forno contro la barra di arresto con i labbri di tenuta flessibili.
- ✓ Lo spazio dietro il frigorifero è sigillato all'interno del veicolo.

Fessura laterale non superiore a 5 mm fra il frigorifero e il mobile (B)

1. Incollare i labbri di tenuta (vedi capitolo "Accessori" a pagina 109) sul lato del mobile (**4**).
 2. Spingere il gruppo frigorifero-forno contro i labbri di tenuta flessibili sul mobile.
- ✓ Lo spazio dietro il frigorifero è sigillato all'interno del veicolo.

Fessura laterale compresa tra 5 mm e 10°mm fra il frigorifero e il mobile (C)

1. Incollare la guarnizione a doppio labbro (vedi capitolo "Accessori" a pagina 109) sul lato del mobile (**4**).
 2. Spingere il gruppo frigorifero-forno contro la guarnizione a doppio labbro sul mobile.
- ✓ Lo spazio dietro il frigorifero è sigillato all'interno del veicolo.

4.3 Creazione delle aperture di ventilazione e di sfiato



NOTA

- Eventuali modifiche alle aperture di ventilazione e di sfiato qui descritte devono essere approvate dal produttore.
- A temperature ambiente elevate, il frigorifero può raggiungere la sua massima capacità di raffreddamento solo se provvisto di una ventilazione ottimale.

- Creare un'apertura di ventilazione e una di sfiato nella parete esterna di misura 451 mm x 156 mm.

Durante questa operazione, attenersi alle indicazioni, vedi capitolo "Operazioni preliminari al montaggio" a pagina 111.

Se la griglia di ventilazione dell'apertura di ventilazione non può essere montata a filo con il pavimento della nicchia di montaggio, montare l'apertura di ventilazione nel pavimento: eventuali fuoriuscite di gas possono così defluire verso il basso.

1. Dietro il frigorifero, in prossimità del bruciatore, realizzare nel pavimento (fig. 10 1, pagina 9) un'apertura di ventilazione di almeno 40 mm di Ø.
2. Schermare l'esterno dell'apertura con un deflettore, affinché durante la marcia non possano penetrarvi fango o sporcizia (fig. 10 2, pagina 9).

Se al posto dell'apertura di sfiato si deve utilizzare uno sfiatoio a tetto:

- Preparare un'apertura sul tetto. Per le corrette dimensioni, consultare il manuale di istruzioni dello sfiatoio a tetto.

Per l'operazione, attenersi alle indicazioni, vedi capitolo "Operazioni preliminari al montaggio" a pagina 111.

4.4 Montaggio della griglia di ventilazione



NOTA

Al fine di garantire un funzionamento sicuro, utilizzare esclusivamente griglie di ventilazione originali Dometic.

N. nella fig. 11, pagina 9	Descrizione
1	Telaio di montaggio
2	Griglia di ventilazione

N. nella fig. 11 , pagina 9	Descrizione
3	Fermo
4	Copertura invernale per la griglia di ventilazione (accessorio)
5	Adattatore per il tubo di scarico della condensa

1. Sigillare il telaio di montaggio affinché il collegamento sia a tenuta stagna (fig. **12**, pagina 9).
2. Inserire il telaio di montaggio e serrarlo (fig. **13**, pagina 9). A tale scopo utilizzare tutti i fori di fissaggio.
3. Installare l'adattatore del tubo flessibile come mostrato in figura (fig. **14** 1, pagina 10).
4. Inserire la griglia di ventilazione come raffigurato (fig. **15**, pagina 10).

4.5 Montaggio dello scarico dell'acqua di condensa



NOTA

- All'interno del frigorifero può formarsi acqua di condensa per effetto di frequenti aperture della porta, di generi alimentari conservati scorrettamente o di generi alimentari riposti nel frigorifero quando sono ancora troppo caldi.
- La condensa deve essere fatta defluire per mezzo di una pendenza costante.

Installare lo scarico dell'acqua di condensa nel seguente modo.

- Fissare il tubo flessibile dell'acqua di condensa direttamente all'adattatore sulla griglia di ventilazione (fig. **14** 2 pagina 10).

4.6 Montaggio dello sfiatatoio a tetto

N. nella fig. 16 , pagina 10	Descrizione
1	Calotta
2	Telaio di montaggio

1. Sigillare il telaio di montaggio affinché il collegamento sia a tenuta stagna (fig. **17**, pagina 10).

- Inserire il telaio di montaggio e serrarlo (fig. **18**, pagina 11). A tale scopo utilizzare tutti i fori di fissaggio.
- Inserire la calotta e serrarla (fig. **19**, pagina 11).

4.7 Fissaggio del frigorifero



ATTENZIONE!

Forare sempre attraverso le apposite boccole, altrimenti vi è il rischio di danneggiare componenti schiumati, come cavi e simili.



NOTA

Fissare le pareti laterali o i listelli applicati, in modo tale che le viti restino in posizione anche in caso di aumento del carico (durante la marcia del veicolo).

- Spostare il frigorifero nella sua posizione definitiva.
- Avvitare le viti (fig. **20** 1, pagina 11) attraverso le sei boccole in plastica nelle pareti laterali del frigorifero e quindi nella parete della nicchia.
- Posizionare i cappucci di protezione (fig. **20** 2, pagina 11) sulle teste delle viti.

5 Collegamento del frigorifero

5.1 Collegamento all'alimentazione del gas



AVVERTENZA! La mancata osservanza di queste avvertenze potrebbe causare la morte o lesioni gravi. Pericolo per la salute

- Il frigorifero può essere collegato all'alimentazione del gas solo da uno specialista in conformità alle prescrizioni e alle norme vigenti nazionali.
- Un raccordo del flessibile **non** è consentito.
- Utilizzare un collegamento a vite sigillato in metallo.
- Il filtro del gas (bianco) nel raccordo del gas del frigorifero non deve essere rimosso.
- Impiegare solo bombole di gas propano o butano (non metano, né gas di città) con valvola di riduzione della pressione certificata e con un cappuccio appropriato. Confrontare i dati della pressione riportati sulla targhetta con quelli indicati sul regolatore di pressione della bombola di gas propano o butano.
- Far funzionare il frigorifero **esclusivamente** con la pressione indicata sulla targhetta.
- Far funzionare il frigorifero **esclusivamente** con il tipo di gas indicato sulla targhetta.
- Osservare i valori della pressione autorizzati nel proprio Paese. Utilizzare solo regolatori di pressione, a taratura fissa, conformi alle norme nazionali.



NOTA

Come opzione è possibile utilizzare il tubo di collegamento flessibile del gas Dometic per evitare tensioni durante il montaggio.

Il frigorifero deve poter essere bloccato separatamente mediante un dispositivo di blocco nel tubo del gas. Il dispositivo di blocco deve essere facilmente accessibile.

1. Collegare il frigorifero all'alimentazione del gas (fig. **21**, pagina 11) in modo fisso e privo di tensione.



AVVERTENZA! Pericolo di esplosione

È molto importante mantenere le seguenti coppie di serraggio:

Posizione nella fig. 21, pagina 11	Descrizione
1	Vite M4 (Torx TX20), Coppia di serraggio: 2 Nm
2	Collegamento del gas del frigorifero: M14 x 1.5 (d = 8 mm/ISO 8434 (DIN 2353))
3	Tubo del gas con accoppiamento ad anello (dimensione 17) Coppia di serraggio: 25 Nm

- Al termine dell'installazione, far eseguire da un esperto autorizzato un controllo della tenuta e una prova con la fiamma.
Far emettere una certificazione di tale verifica e consegnarla all'utente finale per la conservazione.

5.2 Allacciamento alla corrente continua e alternata



AVVERTENZA! La mancata osservanza di queste avvertenze potrebbe causare la morte o lesioni gravi. Pericolo di scosse elettriche

L'installazione elettrica e le riparazioni possono essere eseguite solo da personale specializzato in conformità alle prescrizioni e alle norme vigenti nazionali.

**NOTA**

- La spina dell'apparecchio non deve essere posizionata direttamente dietro la griglia di ventilazione: in questo modo si evita di ostacolare la circolazione dell'aria e si protegge la spina dagli spruzzi d'acqua.
- La spina dell'apparecchio del cavo di collegamento a corrente alternata non deve essere tagliata.
- I cavi di collegamento devono essere posati in maniera tale che non entrino in contatto con parti calde del gruppo refrigerante/bruciatore o con bordi taglienti.
- Eventuali modifiche all'installazione elettrica interna o il collegamento di altri componenti elettrici (ad es. una ventola esterna aggiuntiva) al cablaggio interno del frigorifero fanno decadere qualsiasi richiesta di garanzia o responsabilità del produttore.
- I frigoriferi RML10.5 ed RMS10.5 sono dotati di interfaccia CI-BUS e possono essere controllati per mezzo di un display centrale del veicolo compatibile.

Schema elettrico del frigorifero (fig. 22, pagina 12)

Posizione nella fig. 22, pagina 12	Descrizione
1	Ventola 1 (se il modulo opzioni è disponibile)
2	Modulo opzioni (opzionale)
3	Alimentazione CC forno (se il modulo opzioni è disponibile)
4	Modulo alimentazione CC
5	NTC 2: temperatura esterna (optional)
6	NTC 1: Sensore di temperatura dei cibi freschi
7	Valvola del gas
8	Illuminazione
9	Interruttore Reed
10	S+ (opzionale)
11	Elemento riscaldante CC
12	Fusibile da 15 A
13	Relè CC per cartuccia di riscaldamento

Posizione nella fig. 22, pagina 12	Descrizione
14	Ingresso gas
15	Blocco di collegamento CC
16	Cavo alimentazione CC elettronica
17	Cavo alimentazione CC elemento riscaldante
18	Connessione CI-Bus
19	Collegamento per corrente alternata
20	Elemento riscaldante CA
21	Terra
22	Protezione terra CA
23	Elettrodo di accensione
24	Modulo di alimentazione
25	Modulo display

Corrente continua



AVVERTENZA! Pericolo di incendio

- L'alimentazione dell'elemento riscaldante deve essere provvista di fusibile da 15 A.
- L'alimentazione del sistema elettronico deve essere provvista di fusibile da 2 A.



AVVISO!

Le rispettive linee di alimentazione positiva e negativa dei collegamenti di corrente continua per il sistema elettronico (fig. 22 16, pagina 12) e l'elemento riscaldante (fig. 22 17, pagina 12) **non** devono essere collegate insieme e trasportate su un unico filo. Ciò potrebbe causare un'interferenza elettrica o il danneggiamento dei componenti elettrici.

Osservare le seguenti sezioni del cavo: (fig. 23, pagina 14):

- Connessioni elemento riscaldante:
 - <6 m (all'interno): $\geq 6 \text{ mm}^2$
 - >6 m (all'interno): $\geq 10 \text{ mm}^2$
 - Cavi condotti attraverso il timone (solo caravan): $\geq 2,5 \text{ mm}^2$

- Elettronica di collegamento: $\geq 0,75 \text{ mm}^2$
 - Collegamenti D+ e S+: $\geq 0,75 \text{ mm}^2$
1. Montare la presa a corrente continua come segue (fig. **22**, pagina 12):
 - Collegare **A** e **C** al polo positivo della batteria.
 - Collegare **D** e **F** e collegare D e F a massa.
 - Collegare **B** al segnale D+.

Per riconoscere se il motore del veicolo è in funzione l'elettronica del frigorifero utilizza il segnale D+ dell'alternatore. In modalità di funzionamento automatico il frigorifero seleziona la modalità di funzionamento più economica. Il frigorifero funziona a corrente continua solo se il motore del veicolo è acceso.

 - Collegare **E** al CI-BUS.
 2. Collegare **10** con il segnale S+ (opzionale).
 3. Proteggere la linea di alimentazione **A** con un fusibile 2 A nel distributore principale del veicolo.
 4. Proteggere la linea di alimentazione **C** con un fusibile 15 A nel distributore principale del veicolo.
 5. Portare l'alimentazione **C** attraverso un relè comandato dal blocchetto dell'accensione.
In questo modo si evita che la batteria si scarichi completamente se il motore viene spento accidentalmente.

Corrente alternata

- Collegare il frigorifero a una presa CA utilizzando la spina dell'apparecchio.

6 Smaltimento

Riciclaggio di prodotti con batterie non sostituibili, batterie ricaricabili o fonti di luce



- Se il prodotto contiene batterie non sostituibili, batterie ricaricabili o fonti di luce, non è necessario rimuoverle prima dello smaltimento.



- Per smaltire definitivamente il prodotto, informarsi presso il centro di riciclaggio più vicino o presso il proprio rivenditore specializzato sulle norme relative allo smaltimento.






- È possibile smaltire il prodotto gratuitamente.

Riciclaggio del materiale da imballaggio



- Smaltire il materiale di imballaggio possibilmente negli appositi contenitori di riciclaggio.

7 Specifiche tecniche

	RM10.5(S)(T)	RMS10.5(S)(T)	RMS10.5X(S)(T)
Tensione di allacciamento:	230 V~ /50 Hz 12 V==		
Capienza			
Volume interno:	88 l	78 l	92 l
Vano frigorifero:	78,7 l	69,1 l	80,3 l
Cella freezer:	9,2 l	9,2 l	12,1 l
Capienza totale netta:	86 l	76 l	90 l
Esclusa la cella freezer			
Volume interno:	93 l	83 l	98 l
Capacità netta:	91 l	81 l	96 l
Ingresso alimentazione:	135 W (230 V~) 130 W (12 V==)		
Consumo energetico:	2,8 kWh/24 h (230 V~)	2,5 kWh/24 h (230 V~)	3,2 kWh/24 h (230 V~)
Consumo di gas:	270 g/24 h		
Pressione di collegamento del gas:	30 mbar		
Classe climatica:	SN		
Dimensioni H x B x T:	821 x 523 x 548 mm		821 x 523 x 603 mm
Peso:	28 kg	27,4 kg	29 kg
Ispezione/certificazione:	  		

Per consultare l'attuale dichiarazione di conformità UE del dispositivo, visitare la pagina del relativo prodotto sul sito dometic.com oppure contattare direttamente il fabbricante (vedi dometic.com/dealer).

Ulteriori informazioni sul prodotto sono accessibili tramite il codice QR sull'etichetta energetica del prodotto o sul sito eprel.ec.europa.eu.

Lees deze gebruiksaanwijzing zorgvuldig door en volg alle instructies, richtlijnen en waarschuwingen in deze handleiding op om ervoor te zorgen dat u het product te allen tijde op de juiste manier installeert, gebruikt en onderhoudt. Deze gebruiksaanwijzing MOET bij dit product bewaard worden.

Door het product te gebruiken, bevestigt u hierbij dat u alle instructies, richtlijnen en waarschuwingen zorgvuldig hebt gelezen en dat u de voorwaarden zoals hierin beschreven begrijpt en accepteert. U gaat ermee akkoord dit product alleen te gebruiken voor het beoogde doel en de beoogde toepassing en in overeenstemming met de instructies, richtlijnen en waarschuwingen zoals beschreven in deze gebruiksaanwijzing en in overeenstemming met de geldende wet- en regelgeving. Het niet lezen en opvolgen van de hierin beschreven instructies en waarschuwingen kan leiden tot letsel voor uzelf en anderen, schade aan uw product of schade aan andere eigendommen in de omgeving. Deze gebruiksaanwijzing, met inbegrip van de instructies, richtlijnen en waarschuwingen, en de bijbehorende documentatie kan onderhevig zijn aan wijzigingen en updates. Actuele productinformatie vindt u op documents.dometic.com, dometic.com.



De gedetailleerde gebruiksaanwijzing en informatie over technische gegevens vindt u online op https://documents.dometic.com/?object_id=69924

Inhoudsopgave

1	Verklaring van de symbolen	125
2	Veiligheidsaanwijzingen	126
3	Accessoires	128
4	Beoogd gebruik	129
5	Koelkast aansluiten	136
6	Afvoer	140
7	Technische gegevens	140

1 Verklaring van de symbolen



WAARSCHUWING!

Veiligheidsaanwijzing: duidt op een gevaarlijke situatie die, indien deze niet wordt voorkomen, kan leiden tot ernstig letsel of de dood.



VOORZICHTIG!

Veiligheidsaanwijzing: duidt op een gevaarlijke situatie die, indien deze niet wordt voorkomen, kan leiden tot licht of matig letsel.



LET OP!

Duidt op een situatie die, indien deze niet wordt voorkomen, kan leiden tot materiële schade.

**INSTRUCTIE**

Aanvullende informatie voor het gebruik van het product.

2 Veiligheidsaanwijzingen



WAARSCHUWING! Het niet in acht nemen van deze waarschuwingen kan leiden tot ernstig letsel of de dood.

Gevaar voor elektrische schokken

- Montage en demontage van de koelkast mogen alleen door gekwalificeerd personeel worden uitgevoerd.
- Reparaties aan deze koelkast mogen uitsluitend worden uitgevoerd door gekwalificeerde personen. Door verkeerde reparaties kunnen ernstige gevaren resp. beschadigingen aan de koelkast ontstaan.
- Als de aansluitkabel van deze koelkasten wordt beschadigd, moet deze om gevaar uit te sluiten worden vervangen door de fabrikant, diens klantenservice of een gelijkwaardig gekwalificeerd persoon.
- Zorg er bij het plaatsen van de koelkast voor dat het netsnoer niet verstrikt of beschadigd raakt.
- Plaats geen meervoudige stekkerdozen of draagbare voedingen achter de koelkast.
- Sluit het toestel aan op contactdozen die een goede verbinding garanderen, met name wanneer het toestel moet worden geaard.

Explosiegevaar

- Open het absorptieaggregaat nooit. Het staat onder hoge druk en kan letsel veroorzaken, als het wordt geopend.
- Bewaar geen explosiegevaar stoffen, zoals spuitbussen met brandbaar drijfgas, in de koelkast.
- Gebruik het toestel **uitsluitend** met de op het typeplaatje aangegeven druk. Gebruik alleen vast ingestelde drukregelaars die voldoen aan de nationale voorschriften (in Europa EN 12864).

Brandgevaar

- Let op een schone en restloze verwerking als siliconenaafdichtingsmiddel of iets dergelijks wordt gebruikt. Bij contact van siliconendraden met hete delen of open vuur bestaat brandgevaar.
- Controleer het toestel nooit met open vuur op lekkage.

- Gebruik uitsluitend propaan- of butaangas (**geen** aardgas).
- Het koelmiddel in de koelkring is licht ontvlambaar en in geval van een lekkage kunnen zich brandbare gassen verzamelen als het toestel is opgesteld in een kleine ruimte.
Bij een beschadiging van de koelkring (geur van ammoniak):
 - Houd open vuur en mogelijke ontstekingsbronnen uit te buurt van de koelkast.
 - Ventileer de ruimte goed.
 - Schakel de koelkast uit.

Gevaar voor de gezondheid

- Gebruik het toestel niet als het zichtbaar beschadigd is.
- Als de wisselstroomaansluitkabel voor dit toestel beschadigd is, moet deze om gevaar uit te sluiten worden vervangen door de fabrikant, een klantenservice of gelijkwaardig gekwalificeerd personeel.

Gevaar voor insluiting van kinderen

- Zorg ervoor dat de legplanken zodanig zijn gemonteerd en beveiligd dat kinderen zich niet in de koelkast kunnen opensluiten.
- Voor het afvoeren van uw oude koelkast:
 - Demonteer de laden.
 - Laat de legplanken in de koelkast, zodat kinderen er niet in kunnen klimmen.



VOORZICHTIG! Het niet in acht nemen van deze waarschuwingen kan leiden tot licht of matig letsel.

Gevaar voor elektrische schokken

- Let er voor de ingebruikname op dat voedingskabel en stekker droog zijn.

Gevaar voor beknelling

- Grijp niet in het scharnier.

Gevaar voor de gezondheid

- Om gevaar door instabiliteit van de koelkast te voorkomen, moet deze volgens de montagehandleiding worden bevestigd.
- Open of beschadig in geen geval de koelkring.



LET OP! Gevaar voor schade

- Houd het toestel tijdens het transport alleen aan de toestelbehuizing vast. Houd het toestel nooit aan het absorptieaggregaat, de koelribben, gasleidingen, deur of het bedieningspaneel vast.

- Plaats het toestel niet in de buurt van open vuur of andere warmtebronnen (verwarming, gasovens etc.).
- **Gevaar voor oververhitting!**
Let er altijd op dat de warmte die bij het gebruik ontstaat goed afgevoerd kan worden. Zorg ervoor dat het toestel op voldoende afstand tot wanden en andere voorwerpen staat, zodat de lucht kan circuleren.
- Controleer of de spanning op het typeplaatje overeenkomt met de aanwezige stroomvoorziening.
- Sluit het toestel uitsluitend met de bijbehorende wisselstroomaansluitkabel aan op de wisselstroomcontactdoos.
- Gebruik alleen kabels met passende kabeldiameter.
- Trek de stekker nooit aan de aansluitkabel uit de contactdoos.
- Het toestel mag niet aan regen worden blootgesteld.

3 Accessoires

Beschrijving

Flexibele gasleiding

Afdichting voor tochtvrije montage voor openingen van 1 – 5 mm (afb. **9 B**, pagina 7)

Afdichting voor tochtvrije montage voor openingen van 5 – 10 mm (afb. **9 C**, pagina 7)

Winterafdekking WA 130 voor het ventilatierooster LS 200

Adapterkabel

- WAGO naar CEE
- WAGO naar UK
- WAGO naar JST
- WAGO naar MATE-N-LOK

Optionele ventilatorset REF-FANKIT

Optioneel accupack Pack R10-BP voor standalone-gasbedrijf

Optionele opslagset

4 Beoogd gebruik

De koelkast is geschikt voor:

- Installatie in caravans en campers
- Koelen, diepvriezen en bewaren van levensmiddelen

De koelkast is niet geschikt voor:

- De opslag van geneesmiddelen
- De opslag van corroderende substanties of substanties die oplosmiddelen bevatten
- Snel invriezen van levensmiddelen

De koelkast is bestemd voor inbouw in een keukenkastje of in een inbouwnis.

Deze koelkast is niet bedoeld voor gebruik voor huishoudelijke doeleinden.

Het vriescompartiment is geschikt voor het bewaren van diepvriesproducten, het bewaren of maken van ijs en het maken van ijsblokjes. Het is niet geschikt voor het invriezen van eerder ontdooide levensmiddelen.

Dit product is alleen geschikt voor het beoogde gebruik en de toepassing in overeenstemming met deze gebruiksaanwijzing.

Deze handleiding geeft informatie die nodig is voor een correcte installatie en/of correct gebruik van het product. Een slechte installatie en/of onjuist gebruik of onderhoud leidt tot onbevredigende prestaties en mogelijke storingen.

De fabrikant aanvaardt geen aansprakelijkheid voor letsel of schade aan het product die het gevolg is van:

- Onjuiste montage of aansluiting, inclusief te hoge spanning
- Onjuist onderhoud of gebruik van andere dan door de fabrikant geleverde originele reserveonderdelen
- Wijzigingen aan het product zonder uitdrukkelijke toestemming van de fabrikant
- Gebruik voor andere doeleinden dan beschreven in deze handleiding

Dometic behoudt zich het recht voor om het uiterlijk en de specificaties van het product te wijzigen.

Dit product is alleen geschikt voor het beoogde gebruik en de toepassing in overeenstemming met deze gebruiksaanwijzing.

Deze handleiding geeft informatie die nodig is voor een correcte installatie en/of correct gebruik van het product. Een slechte installatie en/of onjuist gebruik of onderhoud leidt tot onbevredigende prestaties en mogelijke storingen.

De fabrikant aanvaardt geen aansprakelijkheid voor letsel of schade aan het product die het gevolg is van:

- Onjuiste montage of aansluiting, inclusief te hoge spanning
- Onjuist onderhoud of gebruik van andere dan door de fabrikant geleverde originele reserveonderdelen
- Wijzigingen aan het product zonder uitdrukkelijke toestemming van de fabrikant
- Gebruik voor andere doeleinden dan beschreven in deze handleiding

Dometic behoudt zich het recht voor om het uiterlijk en de specificaties van het product te wijzigen.

De koelkast monteren



VOORZICHTIG! Gevaar voor de gezondheid

Om gevaar door instabiliteit van het toestel te voorkomen, moet het volgens de instructies worden bevestigd.



De handleiding voor het wijzigen van de deurstop en de decoratieplaat vindt u online op <https://dometic.com/manuals>

4.1 De montage voorbereiden



LET OP!

- De koelkast mag niet worden geïnstalleerd aan de achterzijde van een camper met de deur in rijrichting.
- Gebruik voor veilig gebruik alleen originele Dometic ventilatieroosters.

Neem bij de montage van de koelkast volgende aanwijzingen in acht:

- Zorg ervoor dat de vloer horizontaal en stevig is.
Parkeer het voertuig hiervoor horizontaal.
- Zorg ervoor dat de koelkast waterpas is.

- De koelkast moet zodanig worden geïnstalleerd dat
 - deze eenvoudig toegankelijk is voor onderhoudswerk
 - deze eenvoudig kan worden gedemonteerd en gemonteerd
 - deze eenvoudig uit het voertuig kan worden verwijderd
- De koelkast moet in een nis worden ingebouwd, zodat hij bij beweging van het voertuig veilig staat. Neem de volgende afmetingen in acht (afb. **1**, pagina 3 en afb. **2**, pagina 4):

	RM10.5(S)(T)	RMS10.5(S)(T)	RMS10.5X(S)(T)
Koelkast	Algemene afmetingen in mm		
Hoogte (A)	821	821	821
Breedte (B)	523	523	523
Diepte (C) (exclusief regelknop 5 mm)	548	548	603
Nis	Afmetingen in mm		
Hoogte (H)	≥829	≥829	≥829
Breedte (W)	≥525,5	≥525,5	≥525,5
Diepte (D)	≥563	≥563	≥618

- De koelkast moet op ten minste 5 mm afstand van de vloer worden gemonteerd, om ervoor te zorgen dat de deur goed kan worden geopend (afb. **3**, pagina 4).
 - Plaats de koelkast niet direct op de vloer.
 - Zorg ervoor dat er geen vloerbedekkingen de vrije beweging van de deur belemmeren.
- In de buitenwand moeten een beluchtingsopening (afb. **4** 1, pagina 4) en een ontluchtingsopening (afb. **4** 2, pagina 4) met ventilatierooster voorhanden zijn om de warmte die ontstaat goed naar buiten te kunnen leiden:
 - Beluchtingsopening: Breng het rooster zo veel mogelijk in lijn met de basis van de installatienis aan.
 - Ontluchtingsopening: zo ver mogelijk boven de koelkast.
 - De afstand tussen luchtinlaat- en uitlaatopeningen moet minstens 750 mm bedragen voor RM10.5 en 534 mm voor RMS10.5 (afb. **5**, pagina 5).
- Monteer boven de koelkast een warmtegeleideplaat (afb. **5** 1, pagina 5) zodat zich geen warmte in het voertuig verzamelt.
- De afstand tussen de koelkast en achterwand moet minstens 15 mm maat niet meer dan 25 mm bedragen.

- Een afstand van meer dan 25 mm tussen koelkast en achterwand leidt tot vermogensverlies en een verhoogd energieverbruik van de koelkast. Verklein de holle ruimte achter de koelkast zodanig dat voldoende be- en ontluchting is gegarandeerd (afb. **6**, pagina 5). Gebruik hiervoor bijvoorbeeld een luchtgeleidingsplaat.
- Indien de minimumafstand tussen beluchtingsopening en ontluchtingsopening niet kan worden aangehouden, moet in plaats van de ontluchtingsopening een dakontluchting worden ingebouwd.
 - De dakontluchting moet indien mogelijk direct boven de achterzijde van de koelkast worden aangebracht. Gebruik een luchtkanaal (afb. **7** 1, pagina 6) indien u de dakontluchting verschoven moet aanbrengen, omdat anders warmteophoping ontstaat.
 - De afstand tussen de luchtinlaatopening en de dakontluchting moet minstens 750 mm bedragen voor RM10.5 en 534 mm voor RMS10.5 (afb. **7**, pagina 6).
 - Als een dakairco voorhanden is, moet de afstand tussen de dakontluchter (afb. **8** 1, pagina 7) en de luchtafvoer van de dakairco (afb. **8** 2, pagina 7) minstens 300 mm bedragen.
- De koelkast mag niet zijdelings ten opzichte van de be- en ontluchtingsopeningen worden ingebouwd, omdat dit leidt tot vermogensverlies en een verhoogd energieverbruik van de koelkast.
- De be- en ontluchtingsopeningen mogen tijdens gebruik niet door voertuigdelen worden afgedekt (bijvoorbeeld geopende deur of door de aanbouw van toebehoren zoals fietsdrager).
- Installeer de koelkast beschermd tegen overmatige warmte-instraling, omdat dit leidt tot vermogensverlies en verhoogd energieverbruik van de koelkast.
- De koelkast moet tochtvrij worden gemonteerd.

4.2 Koelkast tochtvrij inbouwen



WAARSCHUWING! Brandgevaar!

Gebruik voor de tochtvrije inbouw geen licht ontvlambaar materiaal zoals siliconenafdichtingsmiddel, montageschuim en dergelijke.

Koelkasten op gas in caravans of campers moeten op een tochtvrije plek worden ingebouwd. Dit betekent dat de verbrandingslucht niet uit de binnenruimte wordt genomen en de afvoergassen niet direct in de woonruimte kunnen dringen.

Tussen de achterwand van de koelkast en de binnenruimte van het voertuig moet een geschikte afdichting worden aangebracht.

De fabrikant raadt aan om een flexibele afdichting te gebruiken om in- en uitbouwen voor onderhoud te vereenvoudigen.

Kies een van de drie versies voor tochtvrije installatie (afb. **9**, pagina 8):

Stopbalk achter de koelkast (A)

1. Lijm een flexibele afdichtlip (**1**) op een lijst (**2**) achter de koelkast (**3**).
 2. Duw de koelkast-ovencombinatie bij montage tegen de lijst met de flexibele afdichtlippen.
- ✓ De ruimte achter de koelkast is verzegeld aan het voertuiginterieur.

Afstand zijruimte van maximaal 5 mm tussen koelkast en meubilair (B)

1. Lijm de afdichtlippen (zie hoofdstuk „Accessoires“ op pagina 128) op de zijkant van het meubilair (**4**).
 2. Duw de koelkast-ovencombinatie tegen de flexibele afdichtlippen op het meubilair.
- ✓ De ruimte achter de koelkast is verzegeld aan het voertuiginterieur.

Afstand zijruimte van 5 mm tot 10 mm tussen koelkast en meubilair (C)

1. Lijm de afdichting met dubbele lippen (zie hoofdstuk „Accessoires“ op pagina 128) op de zijkant van het meubilair (**4**).
 2. Duw de koelkast-ovencombinatie tegen de flexibele afdichting met dubbele lippen op het meubilair.
- ✓ De ruimte achter de koelkast is verzegeld aan het voertuiginterieur.

4.3 Be- en ontluichtingsopeningen maken



INSTRUCTIE

- Afwijkingen van de hier afgebeelde in- en uitlaatvarianties moeten door de fabrikant worden toegestemd.
- Bij hoge omgevingstemperatuur functioneert de koelkast alleen optimaal, als de be- en ontluchting optimaal is.

- Maak een be- en ontluichtingsopening in de buitenwand van 451 mm x 156 mm. Neem hierbij de aanwijzingen in acht, zie hoofdstuk „De montage voorbereiden“ op pagina 130.

Indien het ventilatierooster van de beluchtingsopening niet in een lijn met de ondergrond van de inbouwnis kan worden ingebouwd, moet een beluchtingsopening in de ondergrond worden ingebouwd. Lekkend gas kan dan omlaag stromen.

1. Maak achter de koelkast bij de gasbrander een beluchtingsopening van minstens \varnothing 40 mm in de ondergrond (afb. **10** 1, pagina 9).
2. Scherm de buitenzijde van de opening af met een bochtstuk zodat tijdens rijden geen modder of vuil kan binnendringen (afb. **10** 2, pagina 9).

Indien u in plaats van de ontluchtingsopening een dakontluchting moet gebruiken:

- Maak een uitsnede in het dak. De vereiste afmetingen staan in de handleiding van de dakontluchting.
Neem hierbij de aanwijzingen in acht, zie hoofdstuk „De montage voorbereiden” op pagina 130.

4.4 Ventilatioerooster monteren



INSTRUCTIE

Gebruik voor veilig gebruik alleen originele Dometic ventilatioeroosters.

Nr. in afb. 11 , pagina 9	Beschrijving
1	Montageframe
2	Ventilatioerooster
3	Schuif
4	Winterafdekking voor het ventilatioerooster (toebehoren)
5	Adapter voor de condenswaterslang

1. Dicht het montageframe af om de verbinding waterdicht te maken (afb. **12**, pagina 9).
2. Plaats het montageframe en schroef het vast (afb. **13**, pagina 9). Gebruik hiervoor alle bevestigingsopeningen.
3. Installeer de slangadapter zoals afgebeeld (afb. **14** 1, pagina 10).
4. Steek de ventilatiegrill erin zoals afgebeeld (afb. **15**, pagina 10).

4.5 Condensafvoer monteren



INSTRUCTIE

- Door openen van de deur, onjuist bewaren van levensmiddelen of door warme levensmiddelen kan in de koelkast condens ontstaan.
- Condens moet worden afgevoerd.

Monteer de condensafvoer als volgt:

- ▶ Bevestig de condenswaterslang direct aan de adapter op het ventilatierooster (afb. **14** 2, pagina 10).

4.6 Dakventilator monteren

Nr. in afb. 16 , pagina 10	Beschrijving
1	Kap
2	Montageframe

1. Dicht het montageframe af om de verbinding waterdicht te maken (afb. **17**, pagina 10).
2. Plaats het montageframe en schroef het vast (afb. **18**, pagina 11). Gebruik hiervoor alle bevestigingsopeningen.
3. Plaats de kap en schroef deze goed vast (afb. **19**, pagina 11).

4.7 Koelkast bevestigen



VOORZICHTIG!

Schroef alleen de hiervoor bedoelde bussen vast, anders kunnen ingeschuimde bouwdeelen zoals leidingen en dergelijke worden beschadigd.



INSTRUCTIE

Bevestig de zijwanden of de aangebrachte lijsten zodanig dat de schroeven ook bij verhoogde belasting (tijdens rijden) vast zitten.

1. Zet de koelkast in de uiteindelijke positie.
2. Draai de schroeven (afb. **20** 1, pagina 11) door de kunststof huls heen in de zijwanden van de koelkast en verder in de wand.

3. Plaats de kappen (afb. **20**, pagina 11) op de schroefkoppen.

5 Koelkast aansluiten

5.1 Op de gastoevoer aansluiten



WAARSCHUWING! Het niet in acht nemen van deze waarschuwingen kan leiden tot ernstig letsel of de dood. Gevaar voor de gezondheid

- Deze koelkast mag alleen door een vakman conform de geldende nationale voorschriften en normen op de gasvoorziening worden aangesloten.
- Een slangaansluiting is **niet** toegestaan.
- Gebruik een metaal-afgedichte schroefverbinding.
- Het gasfilter (wit) in de koelkastgasverbinding mag niet worden verwijderd.
- Gebruik uitsluitend propaan- of butaangasflessen (geen aardgas of stadsgas) met gekeurd drukreducerend ventiel en passend kopstuk. Vergelijk de druk op het typeplaatje met de druk op de drukregelaar van de propaan- of butaangasfles.
- De koelkast mag **uitsluitend** met de op het typeplaatje aangegeven druk worden gebruikt.
- De koelkast mag **uitsluitend** met het op het typeplaatje aangegeven gas worden gebruikt.
- Neem a.u.b. de in uw land toegestane drukwaarden in acht. Gebruik alleen vast ingestelde drukregelaars die voldoen aan de nationale voorschriften.



INSTRUCTIE

Optioneel kunt u de flexibele Dometic gaspijp gebruiken om spanningen te vermijden.

De koelkast moet door een afsluitinrichting in de gasleiding afzonderlijk kunnen worden afgesloten. De afsluitinrichting moet goed toegankelijk zijn.

1. Sluit de koelkast veilig et de hand aan op de gastoevoer (afb. **21**, pagina 11).



WAARSCHUWING! Explosiegevaar

Het is zeer belangrijk dat u de volgende aandradmomenten aanhoudt:

Nr. in afb. 21 , pagina 11	Beschrijving
1	Schroef M4 (Torx TX20), Moment: 2 Nm
2	Koelkast-gasverbinding: M14 x 1,5 (d = 8 mm/ISO 8434 (DIN 2353))
3	Gasleiding met ringkoppeling (maat 17), Moment: 25 Nm

2. Laat na professionele installatie een lek- en een vlamtest uitvoeren door een geautoriseerde specialist.
Laat een goedkeuringscertificaat maken en overhandig dit aan de eindgebruiker.

5.2 Op gelijkstroom en wisselstroom aansluiten



WAARSCHUWING! Het niet in acht nemen van deze waarschuwingen kan leiden tot ernstig letsel of de dood. Gevaar voor elektrische schokken

De elektrische installatie alsmede reparaties mogen alleen door een vakman conform de geldende nationale voorschriften en normen worden uitgevoerd.



INSTRUCTIE

- De toestelstekker mag zich niet direct achter het ventilatierooster worden bevinden, anders kan de luchtcirculatie worden gehinderd en kan de stekker nat worden.
- De stekker van de wisselstroom-aansluitkabel mag niet worden afgesneden.
- De aansluitkabel moet zodanig gemonteerd zijn dat deze niet met hete delen van aggregaat/brander of met scherpe randen in contact komen.
- Wijzigingen van de interne elektrische installatie of de aansluiting van andere elektrische componenten (bijvoorbeeld externe extra ventilator) aan de interne bekabeling van de koelkast doen elke aanspraak op garantie vervallen.
- De koelkasten RM10.5 en RMS10.5 hebben een CI-BUS-aansluiting en kunnen worden bediend via een compatibel centraal voertuigdisplay.

Schema van de koelkast (afb. 22, pagina 12)

Nr. in afb. 22, pagina 12	Beschrijving
1	Ventilator 1 (als optiemodule beschikbaar is)
2	Optiemodule (optioneel)
3	Gelijkstroomoven (indien optiemodule beschikbaar is)
4	Gelijkstroomvoedingmodule
5	NTC 2: Buitentemperatuur (optioneel)
6	NTC 1: Temperatuursensor voor verse levensmiddelen
7	Gasklep
8	Verlichting
9	Reedschakelaar
10	S+ (optioneel)
11	Verwarmingselement gelijkstroom
12	15A-zekering
13	Gelijkstroomrelais voor verwarmingspatroon
14	Gasinlaat
15	Gelijkstroomaansluitblok
16	Gelijkstroom-voedingskabel elektronica
17	Gelijkstroom-voedingskabel verwarmingselement
18	CI-bus-verbinding
19	Wisselstroomaansluiting
20	Verwarmingselement wisselstroom
21	Massa
22	Aarding wisselstroom
23	Ontstekingselektrode
24	Voedingseenheid
25	Displaymodule

Gelijkstroom



WAARSCHUWING! Brandgevaar

- De toevoerleiding naar het verwarmingselement moet worden beveiligd met een 15 A zekering.
- De toevoerleiding naar de elektronica moet worden beveiligd met een 2 A zekering.



LET OP!

De positieve en negatieve voedingslijnen van de gelijkstroomverbindingen voor elektronica (afb. **22** 16, pagina 12) en verwarmingselement (afb. **22** 17, pagina 12) mogen **niet** met elkaar worden verbonden en op één draad worden gedragen. Anders kunnen elektrische bouwdeelen elektrisch worden beïnvloed of beschadigd.

Neem de volgende kabelafmetingen in acht (afb. **23**, pagina 14):

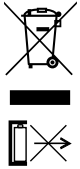
- Aansluitingen verwarmingselement:
 - <6 m (in het voertuig): $\geq 6 \text{ mm}^2$
 - >6 m (in het voertuig): $\geq 10 \text{ mm}^2$
 - Kabel gevoed via trekstang (alleen caravans): $\geq 2,5 \text{ mm}^2$
 - Aansluitingen elektronica: $\geq 0,75 \text{ mm}^2$
 - Verbindingen D+ en S+: $\geq 0,75 \text{ mm}^2$
1. Monteer uw gelijkstroomaansluiting als volgt (afb. **22**, pagina 12):
 - Verbind **A** en **C** met de pluspool van de accu.
 - Verbind **D** en **F** met massa.
 - Verbind **B** met het signaal D+.
De elektronica van de koelkast gebruikt het signaal D+ van de wisselstroomdynamo om het draaien van de motor te herkennen. De koelkast kiest in automatische bedrijfsmodus de gunstigste bedrijfsmodus. De koelkast wordt alleen met gelijkstroom bedreven, als de motor draait.
 - Verbind **E** met de CI-BUS.
 2. Verbind **10** met het signaal S+ (optioneel).
 3. Beveilig de voedingsleiding **A** met een 2 A zekering in de verdeelkast van het voertuig.
 4. Beveilig de voedingsleiding **C** met een 15 A zekering in de verdeelkast van het voertuig.
 5. Leid de voedingsleiding **C** via een ontstekingsgeregeld relais.
Dit voorkomt dat de accu compleet wordt ontladen, als de motor onbedoeld wordt uitgeschakeld.

Wisselstroom

- Sluit de koelkast met de apparaatstekker aan op de wisselstroomdoos.

6 Afvoer

Producten met niet-vervangbare batterijen, oplaadbare batterijen of lichtbronnen recycleren



- Als het product niet-vervangbare batterijen, oplaadbare batterijen of lichtbronnen bevat, hoeft u die niet te verwijderen voordat u het product afvoert.
- Als u het product definitief weg wilt doen, vraag dan bij het dichtstbijzijnde afvalverwerkingsbedrijf of uw dealer naar de betreffende afvoerschriften.
- Het product kan gratis worden afgevoerd.




Verpakkingsmateriaal recycleren



- Gooi het verpakkingsmateriaal indien mogelijk altijd in recyclingafvalbakken.

7 Technische gegevens

	RM10.5(S)(T)	RMS10.5(S)(T)	RMS10.5X(S)(T)
Aansluitspanning:	230 V~ /50 Hz 12 V===		
Capaciteit			
Bruto-inhoud:	88 l	78 l	92 l
Koelvak:	78,7 l	69,1 l	80,3 l
Vriesvak:	9,2 l	9,2 l	12,1 l
Totale netto capaciteit:	86 l	76 l	90 l
Zonder vriesvak			
Bruto-inhoud:	93 l	83 l	98 l
Netto-inhoud:	91 l	81 l	96 l
Voeding:	135 W (230 V~) 130 W (12 V===)		
Energieverbruik:	2,8 kWh/24 h (230 V~)	2,5 kWh/24 h (230 V~)	3,2 kWh/24 h (230 V~)
Gasverbruik:	270 g/24 h		

	RM10.5(S)(T)	RMS10.5(S)(T)	RMS10.5X(S)(T)
Gasaansluitdruk:	30 mbar		
Klimaatklasse:	SN		
Afmetingen h x b x d:	821 x 523 x 548 mm		821 x 52 x 603 mm
Gewicht:	28 kg	27,4 kg	29 kg
Keuring/certificering:	  		

Voor de actuele EU-verklaring van overeenstemming voor uw toestel gaat u naar de desbetreffende productpagina op dometic.com of neemt u direct contact op met de fabrikant (zie dometic.com/dealer).

Meer informatie over het product is beschikbaar via de QR-code op het energielabel op het product of op eprel.ec.europa.eu.

Læs og følg alle disse anvisninger, retningslinjer og advarsler i denne produktvejledning grundigt for at sikre, at du altid installerer, bruger og vedligeholder produktet korrekt. Disse anvisninger SKAL opbevares sammen med dette produkt.

Ved at benytte produktet bekræfter du hermed, at du har læst alle anvisninger, retningslinjer og advarsler grundigt, og at du forstår og er indforstået med de vilkår og betingelser, der er fastlagt heri. Du er indforstået med kun at bruge dette produkt til det beregnede formål og anvendelse i overensstemmelse med anvisningerne, retningslinjerne og advarslerne i denne produktvejledning samt i overensstemmelse med alle de gældende love og forskrifter. Manglende læsning og ignorering af disse anvisninger og advarsler kan medføre kvæstelser på dig selv og andre, skade på dit produkt eller skade på anden ejendom i nærheden. Der tages forbehold for eventuelle ændringer og opdateringer af denne produktvejledning samt anvisningerne, retningslinjerne og advarslerne samt den tilhørende dokumentation. Se documents.dometic.com, dometic.com for de nyeste produktinformationer.



Du kan finde den detaljerede betjeningsvejledning og oplysninger om de tekniske data online på
https://documents.dometic.com/?object_id=69924

Indholdsfortegnelse

1	Forklaring af symboler.	142
2	Sikkerhedshenvisninger	143
3	Tilbehør	145
4	Korrekt brug	145
5	Tilslutning af køleapparatet.	153
6	Bortskaffelse	157
7	Tekniske data.	157

1 Forklaring af symboler



ADVARSEL!

Sikkerhedshenvisning: Angiver en farlig situation, som kan medføre dødsfald eller alvorlig kvæstelse, såfremt den ikke undgås.



FORSIGTIG!

Sikkerhedshenvisning: Angiver en farlig situation, som kan medføre mindre eller lette kvæstelser, såfremt den ikke undgås.



VIGTIGT!

Angiver en situation, som kan medføre materielle skader, såfremt den ikke undgås.

**BEMÆRK**

Supplerende oplysninger om betjening af produktet.

2 Sikkerhedshenvisninger



ADVARSEL! Manglende overholdelse af disse advarsler kan medføre dødelige eller alvorlige kvæstelser.

Fare for elektrisk stød

- Installation og fjernelse af køleskabet må kun udføres af fagfolk.
- Reparationer på dette køleskab må kun foretages af fagfolk. Ved ukorrekte reparationer kan der opstå betydelige farer eller skader på køleskabet.
- Hvis dette køleskabs tilslutningskabel beskadiges, skal det udskiftes af producenten, dennes kundeservice eller en lignende kvalificeret person for at undgå farer.
- Når køleskabet placeres, skal det sikres, at strømkablet ikke sidder i klemme eller beskadiges.
- Placér ikke flere bærbare stikdåser eller bærbare strømforsyninger bagved køleskabet.
- Sæt apparatet i stikdåser, der sikrer en korrekt forbindelse, især når apparatet skal forbindes med jord.

Eksplodingsfare

- Åbn aldrig absorptionsaggregatet. Det står under tryk og kan forårsage kvæstelser, når det åbnes.
- Opbevar ikke eksplosive stoffer, som f.eks. spraydåser med drivgas, i køleskabet.
- Anvend **udelukkende** apparatet med det tryk, der er angivet på mærkepladen. Anvend kun fast indstillede trykreguleringer, der opfylder de nationale forskrifter (i Europa EN 12864).

Brandfare

- Sørg for en ren forarbejdning uden rester, når der anvendes silicone-tætningsmasse el.lign. Hvis siliconetråde kommer i berøring med varme dele eller åben ild, er der brandfare.
- Kontrollér aldrig, om apparatet er utæt, med åben flamme.
- Anvend kun propan- eller butangas (**ikke** naturgas).

- Kølemidlet i kølekredsløbet er letantændeligt, og i tilfælde af en lækage kan der ophobes brændbare gasser, hvis apparatet befinder sig i et lille rum.

Ved en beskadigelse af kølekredsløbet (ammoniaklugt):

- Hold åbne flammer og eventuelle antændingskilder væk fra køleskabet.
- Sørg for at udlufte rummet godt.
- Sluk for køleskabet.

Sundhedsfare

- Hvis apparatet har synlige beskadigelser, må apparatet ikke tages i brug.
- Hvis dette apparats vekselstrømstilslutningskabel beskadiges, skal det udskiftes af producenten, dennes servicerepræsentant eller en lignende kvalificeret person for at undgå farer.

Risiko for, at børn kan blive lukket inde

- Kontrollér, at hylderne er monteret og sikret korrekt, så børn ikke kan låse sig selv inde i køleskabet.
- Før det gamle køleskab bortskaffes:
 - Afmontér skuffen.
 - Lad hylderne blive i køleskabet, så børn ikke kan gå ind i det.



FORSIGTIG! Manglende overholdelse af disse forsigtighedshenvisninger kan medføre mindre eller moderate kvæstelser.

Fare for elektrisk stød

- Kontrollér før ibrugtagning, at tilførselsledningen og stikket er tørre.

Risiko for at komme i klemme

- Grib ikke ind i hængslet.

Sundhedsfare

- For at undgå en fare, fordi køleskabet er ustabil, skal det fastgøres i overensstemmelse med anvisningerne.
- Du må under ingen omstændigheder åbne eller beskadige kølekredsløbet.



VIGTIGT! Fare for beskadigelse

- Hold kun apparatet fast på køleskabselementet under transporten. Hold aldrig apparatet fast på absorptionsaggregatet, køleribberne, gasledningerne, døren eller betjeningsblænden.
- Montér ikke apparatet i nærheden af åben ild eller andre varmekilder (varmeapparater, gasovne osv.).

- **Fare for overophedning!**
Sørg altid for, at varme, der opstår under driften, kan føres tilstrækkeligt bort. Sørg for, at apparatet har tilstrækkelig afstand til væg og genstande, så luften kan cirkulere.
- Sammenlign spændingsoplysningerne på mærkepladen med energiforsyningen, der er til rådighed.
- Tilslut kun apparatet til vekselstrømsstikdåsen med det tilhørende vekselstrømstilslutningskabel.
- Anvend kun kabler med passende ledningstværsnit.
- Træk aldrig stikket ud af stikdåsen med strømkablet.
- Apparatet må ikke udsættes for regn.

3 Tilbehør

Beskrivelse

Fleksible gasrør

Tætning til træktæt montering for åbninger på 1 – 5 mm (fig. **9 B**, side 7)

Tætning til trækfri installation for åbninger på 5 – 10 mm (fig. **9 C**, side 7)

Vinterafdækning WA 130 til ventilationsgitteret LS 200

Adapterkabel

- WAGO til CEE
- WAGO til UK
- WAGO til JST
- WAGO til MATE-N-LOK

Valgfrit ventilatorsæt REF-FANKIT

Valgfri batteripakke Pack R10-BP til udelukkende gasdrift

Valgfrit opbevaringssæt

4 Korrekt brug

Køleskabet er egnet til:

- Montering i campingvogne og autocampere
- Køling, dybfrysning og opbevaring af mad

Køleskabet er ikke egnet til:

- Opbevaring af medicin
- Opbevaring af korrosive stoffer eller stoffer, som indeholder opløsningsmidler
- Lynnedfrysning af mad

Køleskabet er beregnet til indbygning i et møbelstykke eller en monteringsniche.

Dette køleskab er ikke beregnet til at blive anvendt i et almindeligt køkken.

Frostrummet er egnet opbevaring af allerede frosne madvarer, opbevaring eller fremstilling af is og isterninger. Den er ikke egnet til at fryse madvarer, der hidtil ikke har været frosset.

Dette produkt er kun egnet til dets beregnede formål og anvendelse i overensstemmelse med disse anvisninger.

Denne vejledning giver dig oplysninger om, hvad der er nødvendigt med henblik på en korrekt montering og/eller drift af produktet. Dårlig montering og/eller ukorrekt drift eller vedligeholdelse medfører utilstrækkelig ydeevne og mulige fejl.

Producenten påtager sig intet ansvar for kvæstelser eller skader i forbindelse med produktet, der skyldes:

- ukorrekt samling eller forbindelse inklusive for høj spænding
- ukorrekt vedligeholdelse eller brug af uoriginale reservedele, der ikke stammer fra producenten
- ændringer på produktet uden udtrykkelig tilladelse fra producenten
- brug til andre formål end dem, der er beskrevet i vejledningen.

Dometic forbeholder sig ret til at ændre produktets udseende og produktspecifikationer.

Dette produkt er kun egnet til dets beregnede formål og anvendelse i overensstemmelse med disse anvisninger.

Denne vejledning giver dig oplysninger om, hvad der er nødvendigt med henblik på en korrekt montering og/eller drift af produktet. Dårlig montering og/eller ukorrekt drift eller vedligeholdelse medfører utilstrækkelig ydeevne og mulige fejl.

Producenten påtager sig intet ansvar for kvæstelser eller skader i forbindelse med produktet, der skyldes:

- ukorrekt samling eller forbindelse inklusive for høj spænding
- ukorrekt vedligeholdelse eller brug af uoriginale reservedele, der ikke stammer fra producenten
- ændringer på produktet uden udtrykkelig tilladelse fra producenten

- brug til andre formål end dem, der er beskrevet i vejledningen.

Dometic forbeholder sig ret til at ændre produktets udseende og produktspecifikationer.

Montering af køleskabet



FORSIGTIG! Sundhedsfare

For at undgå en fare, fordi apparatet er ustabilt, skal det fastgøres i overensstemmelse med anvisningerne.



Du kan finde vejledningen til skift af døranslaget og dekorationspladen online på <https://dometic.com/manuals>

4.1 Forberedelse af installationen



VIGTIGT!

- Køleskabet må ikke installeres bagest i autocampere med døren i kørselsretningen.
- Anvend udelukkende originale Dometic-ventilationgitre for at sikre sikker drift.

Vær opmærksom på følgende henvisninger ved montering af køleskabet:

- Kontrollér, at gulvet er fast og vandret.
Parkér til dette formål køretøjet vandret.
- Kontrollér, at køleskabet er vandret.
- Køleskabet skal installeres, så
 - det er nemt at udføre servicearbejde
 - det er nemt at montere og afmontere
 - det er nemt at fjerne fra køretøjet
- Køleskabet skal indbygges i en niche, så det står sikkert, når køretøjet er i bevægelse. Overhold i den forbindelse følgende mål (fig. **1**, side 3 og fig. **2**, side 4):

	RM10.5(S)(T)	RMS10.5(S)(T)	RMS10.5X(S)(T)
Køleapparat	Samlede mål i mm		
Højde (A)	821	821	821
Bredde (B)	523	523	523
Dybde (C) (uden styreknappen på 5 mm)	548	548	603
Udskæring	Mål i mm		
Højde (H)	≥829	≥829	≥829
Bredde (B)	≥525,5	≥525,5	≥525,5
Dybde (D)	≥563	≥563	≥618

- Køleskabet skal monteres i med en minimumsafstand på 5 mm fra gulvet for at sikre, at døren kan åbnes korrekt (fig. **3**, side 4).
 - Undgå at anbringe køleskabet direkte på gulvet.
 - Kontrollér, at ingen gulvtæpper forstyrrer, at døren kan bevæges frit.
- I ydervæggen skal der monteres en ventilationsåbning (fig. **4** 1, side 4) og en udluftningsåbning (fig. **4** 2, side 4) med ventilationsgitter, så varmen, der opstår, nemt kan bortledes ud i det fri:
 - Ventilationsåbning: Montér ventilationsgitteret så plant som muligt i forhold monteringsnichens bund.
 - Udluftningsåbning: så vidt muligt over køleskabet.
 - Afstanden mellem ventilationsåbningen og udluftningsåbningen skal være mindst 750 mm for RM10.5 og 534 mm for RMS10,5 (fig. **5**, side 5).
- Montér en varmeledningsplade over køleskabet (fig. **5** 1, side 5), så varmen ikke ophobes i køretøjet.
- Afstanden mellem køleskabet og bagvæggen skal være mindst 15 mm, men ikke mere end 25 mm.
- En afstand på over 25 mm mellem køleskabet og bagvæggen medfører fald i køleskabets ydelse og forøget energiforbrug. Reducér hulrummet bagved køleskabet tilsvarende for at etablere en tilstrækkelig ventilation og udluftning (fig. **6**, side 5). Anvend hertil f.eks. en luftledningsplade.

- Hvis minimumafstanden mellem ventilationsåbningen og udluftningsåbningen ikke kan overholdes, skal der i stedet for udluftningsåbningen monteres en tagventilator.
 - Tagventilatoren skal så vidt muligt placeres direkte over køleskabets bagside. Anvend en luftkanal (fig. **7** 1, side 6), hvis du skal flytte tagventilatoren, da varmen ellers ophobes.
 - Afstanden mellem ventilationsåbningen og tagventilatoren skal være mindst 750 mm for RM10.5 og 534 mm for RMS10.5 (fig. **7**, side 6).
 - Hvis der findes et tagklima-læg, skal afstanden mellem tagventilatoren (fig. **8** 1, side 7) og tagklima-læggets luftudgang (fig. **8** 2, side 7) være mindst 300 mm.
- Køleskabet må ikke monteres ved siden af ventilations- og udluftningsåbninger, da det medfører fald i køleskabets ydelse og forøget energiforbrug.
- Ventilations- og udluftningsåbningen må ikke tildækkes af køretøjsdele under driften (f.eks. en åben dør eller på grund af montering af tilbehør som f.eks. en cykelholder).
- Installér køleskabet, så det er beskyttet mod for kraftigt varmeindstråling, da det medfører fald i køleskabets ydelse og forøget energiforbrug.
- Køleskabet skal monteres træktæt.

4.2 Træktæt montering af køleskabet



ADVARSEL! Brandfare!

Anvend ikke letantændelige materialer som f.eks. silikone-tætningsmasser, monteringsgummi eller lignende til træktæt montering.

Gasdrevne køleskabe i campingvogne eller autocampere skal monteres træktæt. Det betyder, at forbrændingsluften ikke udtages fra den indvendige rum, og det forhindres, at røggasserne trænger direkte ind i beboelsesrummet.

Mellem køleskabets bagvæg og køretøjets indvendige rum skal der monteres en egnet tætning.

Producenten anbefaler at anvende en fleksibel tætning for at forenkle afmontering og montering i forbindelse med vedligeholdelse.

Vælg en af de tre versioner til træktæt montering (fig. **9**, side 8):

Anslagsliste bag køleskabet (A)

1. Lim en fleksibel tætningslæbe **(1)** på en anslagsliste **(2)** bag køleskabet **(3)**.

2. Skub køleskab-ovn-kombinationen mod anslagslisterne med de fleksible tætningslæber under monteringen.

✓ Afstanden bag køleskabet er tætnet mod køretøjets kabine.

Mellemrum i siden op til 5 mm mellem køleskabet og møblet (B)

1. Lim tætningslæberne (se kapitlet „Tilbehør“ på side 145) på siden af møblet (4).

2. Skub køleskab-ovn-kombinationen mod de fleksible tætningslæber på møblet.

✓ Afstanden bag køleskabet er tætnet mod køretøjets kabine.

Mellemrum i siden på 5 mm til 10 mm mellem køleskabet og møblet (C)

1. Lim den dobbeltlæbede tætning (se kapitlet „Tilbehør“ på side 145) på siden af møblet (4).

2. Skub køleskab-ovn-kombinationen mod den dobbeltlæbede tætning på møblet.

✓ Afstanden bag køleskabet er tætnet mod køretøjets kabine.

4.3 Etablering af ventilations- og udluftningsåbninger



BEMÆRK

- Afvigelser fra indgangs- og udgangsvariationerne, der vises her, skal godkendes af producenten.
- Ved høje omgivelsestemperaturer kan køleskabet derefter kun levere sin maks. kølekapacitet, hvis der er sørget for en optimal ventilation og udluftning.

► Lav en ventilations- og en udluftningsåbning i ydervæggen med størrelsen 451 mm x156 mm.

Overhold i den forbindelse henvisningerne, se kapitlet „Forberedelse af installationen“ på side 147.

Hvis udluftningsåbningens ventilationsgitter ikke kan monteres plant med indbygningsnichen, skal du montere en udluftningsåbningen i gulvet. Al gas, der lækker, kan dermed strømme ud nedad.

1. Lav en ventilationsåbning på mindst Ø 40 mm i gulvet (fig. 10 1, side 9) bagved køleskabet i nærheden af gasbrænderen.

2. Beskyt åbningens udvendige side med en afskærmning, så der ikke kan trænge slam eller snavs ind under kørslen (fig. 10 2, side 9).

Hvis du i stedet for udluftningsåbningen skal anvende en tagventilator:

- ▶ Lav et rammeudsnit i taget. Det påkrævede mål findes i vejledningen til tagventilatoren.
- Overhold i den forbindelse henvisningerne i kapitlet „Forberedelse af installationen“ på side 147.

4.4 Montering af ventilationsgitteret



BEMÆRK

Anvend udelukkende originale Dometic-ventilationsgittere for at sikre sikker drift.

Nr. på fig. 11 , side 9	Beskrivelse
1	Monteringsramme
2	Ventilationsgitter
3	Skyder
4	Vinterafdækning til ventilationsgitteret (tilbehør)
5	Adapter til kondensvandsafløbslangen

1. Sørg for at tætne monteringsrammen, så forbindelsen er vandtæt (fig. **12**, side 9).
2. Sæt monteringsrammen i, og skru den fast (fig. **13**, side 9). Anvend alle fastgørelseskapsler hertil.
3. Montér slangeadapteren som vist (fig. **14** 1, side 10).
4. Sæt ventilationsgitteret i som vist (fig. **15**, side 10).

4.5 Montering af kondensvandsafløbet



BEMÆRK

- Der kan dannes kondensvand i køleskabet, hvis døren åbnes tit, madvarer opbevares ukorrekt, eller madvarer er for varme, når de lægges ind.
- Kondensvand skal aftappes med en konstant hældning.

Monter kondensvandsafløbet på følgende måde:

- ▶ Fastgør kondensvandsslangen direkte på adapteren på ventilationsgitteret (fig. **14** 2, side 10).

4.6 Montering af tagventilatoren

Nr. på fig. 16 , side 10	Beskrivelse
1	Kappe
2	Monteringsramme

1. Sørg for at tætnes monteringsrammen, så forbindelsen er vandtæt (fig. **17**, side 10).
2. Sæt monteringsrammen i, og skru den fast (fig. **18**, side 11). Anvend alle fastgørelseshuller hertil.
3. Sæt kappen på, og skru den fast (fig. **19**, side 11).

4.7 Fastgørelse af køleskabet



FORSIGTIG!

Skru altid gennem de pågældende bøsninger, da indskummede komponenter som f.eks. ledninger kan blive beskadiget.



BEMÆRK

Fastgør sidevæggene eller de anbragte lister, så skruerne også sidder fast ved forøget belastning (under kørslen).

1. Placér køleskabet i dets endegyldige position.
2. Skru skruerne (fig. **20** 1, side 11) gennem kunststofbøsningerne i køleskabets sidevægge og videre ind i nichevæggen.
3. Sæt afdækningskapperne (fig. **20** 2, side 11) på skruerhovederne.

5 Tilslutning af køleapparatet

5.1 Tilslutning til gasforsyningen



ADVARSEL! Manglende overholdelse af disse advarsler kan medføre dødelige eller alvorlige kvæstelser. Sundhedsfare

- Køleskabet må kun tilsluttes til gasforsyningen af en fagmand i henhold til de gældende nationale forskrifter og standarder.
- En slangetilslutning er **ikke** tilladt.
- Anvend en metaltætnet skrueforbindelse.
- Gasfilteret (hvidt) i køleskabets gastilslutning må ikke fjernes.
- Anvend kun propan- eller butangasflasker (ikke naturgas eller bygas) med godkendt trykreduktionsventil og passende topstykke. Sammenlign trykangivelsen på typeskiltet med trykangivelsen på propan- eller butangasflaskens trykregulering.
- Anvend **udelukkende** køleskabet med det tryk, der er angivet på typeskiltet.
- Køleskabet må **udelukkende** med den type gas, der er angivet på typeskiltet.
- Vær venligst opmærksom på de tryk, der er tilladt i dit land. Anvend kun fast indstillede trykreguleringer, der opfylder de nationale forskrifter.



BEMÆRK

Du kan benytte Dometics fleksible gastilslutningsrør, der fås som tilbehør, så installationen ikke sidder i spænd.

Køleskabet skal kunne spærres separat med en afspærringsanordning i gasledningen. Der skal være nem adgang til afspærringsanordningen.

1. Forbind køleskabet fast og uden spænding med gasforsyningen (fig. **21**, side 11).



ADVARSEL! Eksplosionsfare

Det er meget vigtigt, at du overholder følgende tilspændingsmomenter:

Position på fig. 21, side 11	Beskrivelse
1	Skrue M4 (Torx TX20) Tilspændingsmoment: 2 Nm
2	Køleskabets gastilslutning: M14 x 1,5 (d = 8 mm/ISO 8434 (DIN 2353))
3	Gasrør med ringkobling (størrelse 17) Tilspændingsmoment: 25 Nm

2. Lad en autoriseret specialist gennemføre en lækagetest og en flammetest efter professionel montering.
Kontrollér, at du modtager et inspektionscertifikat, og giv dette certifikat videre til slutbrugeren, så vedkommende kan opbevare det.

5.2 Tilslutning til jævnstrøm og vekselstrøm



ADVARSEL! Manglende overholdelse af disse advarsler kan medføre dødelige eller alvorlige kvæstelser. Fare for elektrisk stød

Den elektriske installation samt reparationer må kun udføres af en fagmand i henhold til de gældende nationale forskrifter og standarder.



BEMÆRK

- Apparatets stik må ikke placeres direkte bagved ventilationsgitteret for at forhindre, så luftcirkulationen ikke påvirkes, og at beskytte apparatets stik mod vandstænk.
- Apparatets stik på vekselstrømtilslutningskablet må ikke skæres af.
- Tilslutningskablerne skal trækkes, så de ikke kommer i berøring med aggregatets/brænderens varme dele eller med skarpe kanter.
- Ændringer i den interne elektriske installation eller tilslutning af andre elektriske komponenter (f.eks. fremmede ekstra ventilatorer) til køleskabets interne ledningsføring medfører, at alle krav om garanti og produktansvar bortfalder.
- Køleskabene RM10.5 og RMS10.5 har et CI-bus-interface og kan styres med et kompatibelt centralt køretøjsdisplay.

Køleskabets tilslutningsdiagram (fig. 22, side 12)

Position på fig. 22, side 12	Beskrivelse
1	Ventilator 1 (hvis der er et valgfrit modul til stede)
2	Valgfrit modul (valgfrit)
3	Jævnstrømsforsyning ovn (hvis der findes et valgfrit modul)
4	Jævnstrømsforsyningsmodul
5	NTC 2: Udetemperatur (valgfrit)
6	NTC 1: Temperatursensor for friske fødevarer
7	Gasventil
8	Belysning
9	Reed-kontakt
10	S+ (valgfrit)
11	Varmeelement jævnstrøm
12	15 A-sikring
13	Jævnstrømsrelæ til varmepatron
14	Indgang gas
15	Jævnstrømsforbindelsesblok
16	Jævnstrømsforsyningskabel elektronik
17	Jævnstrømsforsyningskabel varmeelement
18	CI-bus-tilslutning
19	Vekselstrømslslutning
20	Varmeelement vekselstrøm
21	Jord
22	Vekselstrømsbeskyttelse jord
23	Tændingselektrode
24	Effektmodul
25	Displaymodul

Jævnstrøm



ADVARSEL! Brandfare

- Tilførselsledningen til varmeelementet skal beskyttes med en sikring på 15 A.
- Tilførselsledningen til elektronikken skal beskyttes med en sikring på 2 A.



VIGTIGT!

De pågældende positive og negative forsyningsledninger til jævnstrømforbindelserne til elektronik (fig. 22 16, side 12) og varmeelementet (fig. 22 17, side 12) må **ikke** samles med hinanden og føres ud på en enkelt tråd. Der kan i modsat fald forekomme elektrisk påvirkning eller beskadigelse af elektriske komponenter.

Overhold følgende ledningstværsnit (fig. 23, side 14):

- Tilslutninger for varmeelement:
 - <6 m (indvendigt): $\geq 6 \text{ mm}^2$
 - >6 m (indvendigt): $\geq 10 \text{ mm}^2$
 - Kabelindføring via trækstang (kun campingvogne): $\geq 2,5 \text{ mm}^2$
 - Forbindelser til elektronik: $\geq 0,75 \text{ mm}^2$
 - Forbindelser D+ og S+: $\geq 0,75 \text{ mm}^2$
1. Saml din jævnstrømsstikdåse på følgende måde (fig. 22, side 12):
 - Forbind **A** og **C** med batteriets positive pol.
 - Forbind **D** og **F** med jord.
 - Forbind **B** med D + signalet.
Køleskabets elektronik anvender generatorens signal D+ for at registrere den kørende motor. Køleskabet vælger den bedste driftstype, der er til rådighed, i den automatiske driftsmodus. Køleskabet anvendes kun med jævnstrøm, når køretøjets motor kører.
 - Forbind **E** med CI-BUS.
 2. Forbind **10** med S+ signalet (valgfrit).
 3. Beskyt forsyningsledningen **A** med en sikring på 2 A i køretøjets hovedfordeler.
 4. Beskyt forsyningsledningen **C** med en sikring på 15 A i køretøjets hovedfordeler.
 5. Før forsyningsledningen **C** via et tændingsstyret relæ.
Dette forhindrer, at batteriet aflades helt, hvis motoren slukkes utilsigtet.

Vekselstrøm

- Tilslut køleskabet til en vekselstrømsstikdåse med apparatets stik.

6 Bortskaffelse

Genbrug af produkter med batterier, genopladelige batterier eller lyskilder, der ikke kan udskiftes



➤ Hvis produktet indeholder batterier, genopladelige batterier eller lyskilder, der ikke kan udskiftes, skal du ikke fjerne dem før bortskaffelse.

➤ Hvis du vil bortskaffe produktet endegyldigt, skal du kontakte den nærmeste genbrugsstation eller din faghandel for at få de pågældende forskrifter om bortskaffelse.



➤ Produktet kan bortskaffes uden gebyr.




Genbrug af emballagemateriale



➤ Bortskaf så vidt muligt emballagemateriale sammen med det tilsvarende genbrugsaffald.

7 Tekniske data

	RM10.5(S)(T)	RMS10.5(S)(T)	RMS10.5X(S)(T)
Tilslutningsspænding:	230 V~ /50 Hz 12 V==		
Indhold			
Bruttoindhold:	88 l	78 l	92 l
Køleboks:	78,7 l	69,1 l	80,3 l
Fryseboks:	9,2 l	9,2 l	12,1 l
Samlet nettoindhold:	86 l	76 l	90 l
Uden fryseboks			
Bruttoindhold:	93 l	83 l	98 l
Nettoindhold:	91 l	81 l	96 l
Strømforsyning:	135 W (230 V~) 130 W (12 V==)		
Energiforbrug:	2,8 kWh/24 h (230 V~)	2,5 kWh/24 h (230 V~)	3,2 kWh/24 h (230 V~)
Gasforbrug:	270 g/24 h		
Gastilslutningstryk:	30 mbar		
Klimaklasse:	SN		

	RM10.5(S)(T)	RMS10.5(S)(T)	RMS10.5X(S)(T)
Mål H x B x D:	821 x 523 x 548 mm		821 x 523 x 603 mm
Vægt:	28 kg	27,4 kg	29 kg
Godkendelse/certifikat:	  		

For den aktuelle EU-overensstemmelseserklæring for dit apparat bedes du se den pågældende produktside på dometic.com eller kontakte producenten direkte (se dometic.com/dealer).

Du kan finde yderligere produktinformationer via QR-koden på energimærket på produktet eller på eprel.ec.europa.eu.

Läs och följ noggrant alla instruktioner, direktiv och varningar i den här produkthandboken för att säkerställa att du alltid installerar, använder och underhåller produkten på rätt sätt. Dessa instruktioner MÅSTE förvaras tillsammans med produkten.

Genom att använda produkten bekräftar du härmed att du noggrant har läst alla instruktioner, direktiv och varningar och att du förstår och är införstådd med att följa de villkor som anges häri. Du är införstådd med att endast använda denna produkt i avsett syfte och i enlighet med instruktionerna, direktiven och varningarna som anges i denna produkthandbok samt i enlighet med alla gällande lagar och bestämmelser. Om du inte läser och följer instruktionerna och varningarna som anges här kan det leda till personskador på dig eller andra, på produkten eller annan egendom i närheten. Denna produkthandbok, inklusive instruktionerna, direktiven och varningarna samt relaterad information, kan ändras och uppdateras. För uppdaterad produktinformation, besök documents.dometic.com, dometic.com.



På webben hittar du information om den tekniska datan samt den utförliga bruksanvisningen:
https://documents.dometic.com/?object_id=69924

Innehållsförteckning

1	Symbolförklaring	159
2	Säkerhetsanvisningar	160
3	Tillbehör	162
4	Avsedd användning	162
5	Ansluta kylskåpet	170
6	Avfallshantering	174
7	Tekniska data	174

1 Symbolförklaring



VARNING!

Säkerhetsanvisning: Anger en farlig situation som, om den inte kan undvikas, kan leda till döden eller allvarlig personskada.



AKTA!

Säkerhetsanvisning: Anger en farlig situation som, om den inte kan undvikas, leder till lindrig eller måttlig personskada.



OBSERVERA!

Anger en situation som, om den inte kan undvikas, kan leda till materiell skada.

**ANVISNING**

Kompletterande information om användning av produkten.

2 Säkerhetsanvisningar



WARNING! Om man underlåter att följa de här varningarna kan följden bli dödsfall eller allvarlig personskada.

Risk för dödsfall på grund av elektricitet

- Kylskåpet får endast installeras och tas bort av personal som har utbildning för jobbet.
- Reparationer på kylskåpet får endast utföras av behörigt fackfolk. Icke fackmässiga reparationer kan medföra allvarliga risker eller skador på kylskåpet.
- Om kylskåpets anslutningskabel skadas måste den, av säkerhetsskäl, bytas ut av tillverkaren, tillverkarens kundtjänst eller annan behörig person.
- Kontrollera att elsladden inte har fastnat eller skadats i samband med placering av kylskåpet.
- Placera inte flera uttag eller bärbara nätaggregat bakom kylskåpet.
- Koppla in enheten i uttag med garanterat korrekt anslutning när enheten behöver jordas.

Explosionsrisk

- Öppna aldrig absorptionsaggregatet. Det står under högt tryck och kan ge upphov till skador om det öppnas.
- Lagra inga ämnen som kan explodera i kylskåpet, som t.ex. sprayburkar med brännbar drivgas.
- **Endast** användning av apparaten vid korrekt tryck enligt typskylten. Använd endast fast inställda tryckregulatorer som motsvarar nationella föreskrifter (i Europa EN 12864).

Brandrisk

- Se till att hålla rent och fritt från rester om du arbetar med silikontätningssmassa eller liknande ämnen. Fara för brand uppstår om silikontrådar kommer i kontakt med heta delar eller öppen eld.
- Använd aldrig öppen låga för att kontrollera om det finns läckage på produkten.

- Använd bara propan- eller butangas (**inte** naturgas).
- Kylskåpet i kylkretsloppet är mycket lättantändligt och vid en läcka kan brännbara gaser ansamlas om apparaten är i ett litet utrymme.
Vid skador på kylkretsloppet (lukt av ammoniak):
 - Håll öppna lågor och potentiella antändningskällor borta från kylskåpet.
 - Ventilera utrymmet väl.
 - Stäng av kylskåpet.

Hälsorisk

- Om apparaten uppvisar synliga skador får den ej tas i drift.
- Om produktens anslutningskabel för växelström skadas måste den, av säkerhetsskäl, bytas ut av tillverkaren, en servicerepresentant eller någon annan behörig person.

Risk för att barn fastnar

- Kontrollera att hyllorna är monterade och säkrade så att barn inte kan låsa in sig i kylskåpet.
- Innan det gamla kylskåpet omhändertas:
 - Demontera lådan.
 - Låt hyllorna vara kvar i kylskåpet så att barn inte kan klättra in i skåpet.



AKTA! Om man underlåter att följa de här försiktighetsåtgärderna kan följden bli lindrig eller måttlig personskada.

Risk för dödsfall på grund av elektricitet

- Kontrollera, innan apparaten tas i drift, att elkabeln och stickkontakten är torra.

Krossrisk

- Håll fingrarna borta från gångjärnen.

Hälsorisk

- Sätt fast kylskåpet enligt installationsanvisningarna så att det inte uppstår risker till följd av instabilitet.
- Kylkretsloppet får under inga omständigheter öppnas eller skadas.



OBSERVERA! Risk för skada

- Håll bara apparaten i själva stommen när den flyttas. Håll aldrig fast apparaten i absorptionsaggregatet, kylflänsarna, gasledningarna, dörren eller kontrollpanelen.
- Montera inte produkten i närheten av öppen eld eller andra värmekällor (värmeelement, gasspisar etc.).

- **Risk för överhettning!**
Se till att värmen som alstras under användningen kan avledas ordentligt. Apparaten måste ha tillräckligt stort avstånd till väggen/andra föremål så att luften kan cirkulera fritt.
- Kontrollera att spänningsuppgifterna på typskylten stämmer överens med elförsörjningen på plats.
- Anslut endast produkten till växelströmsuttaget med tillhörande anslutningskabel för växelström.
- Använd endast kablar med passande kabelarea.
- Dra aldrig ut stickkontakten ur uttaget genom att dra i anslutningskabeln.
- Produkten måste skyddas mot regn.

3 Tillbehör

Beskrivning

Böjliga gasolledningar

Tätning för dragtät installation av springor på 1 – 5 mm (bild **9 B**, sida 7)

Tätning för dragtät installation av springor på 5 – 10 mm (bild **9 C**, sida 7)

Vinterkåpa WA 130 för ventilationsgallret LS 200

Adapterkabel

- WAGO för CEE
- WAGO för UK
- WAGO för JST
- WAGO för MATE-N-LOK

Alternativ fläktsats REF-FLÄKTSATS

Alternativt batteripaket Paket R10-BP för fristående gasoldrift

Alternativ lagringssats

4 Avsedd användning

Kylskåpet är avsett för:

- Installation i husvagnar och husbilar
- Kylning, djupfrysning och förvaring av livsmedel

Kylskåpet är inte avsett för:

- Förvaring av läkemedel
- Förvaring av frätande ämnen eller ämnen som innehåller lösningsmedel
- Snabbfrysning av livsmedel

Kylskåpet är avsett för montering i förvaringsskåp eller en monteringsnisch.

Det här kylskåpet är inte avsett att användas i hushållet.

Frysacket för djupfrysning är avsett för förvaring av livsmedel som frysts ned i förväg, förvaring eller tillagning av glass samt isbitar. Det är inte avsett för infrysning av livsmedel som tidigare inte varit fryst.

Den här produkten lämpar sig endast för avsedd användning i enlighet med denna bruksanvisning.

Den här manualen informerar om vad som krävs för att installera och/eller använda produkten på rätt sätt. Felaktig installation och/eller användning eller felaktigt underhåll kommer leda till att produkten inte fungerar optimalt och riskerar gå sönder.

Tillverkaren åtar sig inget ansvar för personskador eller materiella skador på produkten som uppstår till följd av:

- Felaktig montering eller anslutning, inklusive för hög spänning
- Felaktigt underhåll eller användning av reservdelar som inte är originaldelar från tillverkaren
- Ändringar som utförts utan uttryckligt medgivande från tillverkaren
- Användning för andra ändamål än de som beskrivs i denna bruksanvisning

Dometic förbehåller sig rätten att ändra produktens utseende och specifikationer.

Den här produkten lämpar sig endast för avsedd användning i enlighet med denna bruksanvisning.

Den här manualen informerar om vad som krävs för att installera och/eller använda produkten på rätt sätt. Felaktig installation och/eller användning eller felaktigt underhåll kommer leda till att produkten inte fungerar optimalt och riskerar gå sönder.

Tillverkaren åtar sig inget ansvar för personskador eller materiella skador på produkten som uppstår till följd av:

- Felaktig montering eller anslutning, inklusive för hög spänning
- Felaktigt underhåll eller användning av reservdelar som inte är originaldelar från tillverkaren
- Ändringar som utförts utan uttryckligt medgivande från tillverkaren
- Användning för andra ändamål än de som beskrivs i denna bruksanvisning

Dometic förbehåller sig rätten att ändra produktens utseende och specifikationer.

Installera kylskåpet



AKTA! Hälsorisk

Fastsätt apparaten enligt anvisningarna så att det inte uppstår risker till följd av instabilitet.



Handboken med anvisningar om hur man ändrar dörrstoppet och dörrrens dekorplatta hittar du på <https://dometic.com/manuals>

4.1 Förbereda installationen



OBSERVERA!

- Kylskåpet får inte installeras längst bak i husbilar med dörren i körriktningen.
- Använd endast Dometics originalventilationsgaller för säker drift.

Beakta följande anvisningar vid installationen av kylskåpet:

- Kontrollera att golvet är stabilt och jämnt.
Av den här anledningen ska man placera fordonet i vågrätt läge.
- Kontrollera att kylskåpet står jämnt.
- Installera kylskåpet så att det är lätt att komma
 - åt för servicearbete och
 - avinstallation eller installation samt utan problem
 - kan monteras av från fordonet
- Kylskåpet måste installeras i en nisch så att det står säkert när fordonet rör sig. Observera följande mått (bild **1**, sida 3 och bild **2**, sida 4):

	RM10.5(S)(T)	RMS10.5(S)(T)	RMS10.5X(S)(T)
Kylbox	Totalmått i mm		
Höjd (A)	821	821	821
Bredd (B)	523	523	523
Djup (C) (utan styrvrede 5 mm)	548	548	603

	RM 10.5(S)(T)	RMS 10.5(S)(T)	RMS 10.5X(S)(T)
Kylbox	Totalmått i mm		
Nisch	Mått i mm		
Höjd (H)	≥829	≥829	≥829
Bredd (W)	≥525,5	≥525,5	≥525,5
Djup (D)	≥563	≥563	≥618

- Kylskåpet måste installeras med ett minsta avstånd på 5 mm från golvet för att säkerställa att dörren kan öppnas ordentligt (bild **3**, sida 4).
 - Placera inte kylskåpet direkt på golvet.
 - Kontrollera att det inte finns heltäckningsmattor eller några andra mattor som gör att dörren inte kan röra sig fritt.
- Ytterväggen måste man montera en luftningsöppning (bild **4** 1, sida 4) och en ventilationsöppning (bild **4** 2, sida 4) med ventilationsgaller så att värmen som uppstår enkelt går att leda ut:
 - Luftningsöppning: Montera ventilationsgallret så att det i möjligaste mån är placerat i jämnhöjd med inbyggnadsskåpets bas.
 - Ventilationsöppning: så högt upp från kylskåpet som möjligt.
 - Avståndet mellan luftningsöppningen och ventilationsöppningen måste vara minst 750 mm för RM10.5 och 534 mm för RMS10.5 (bild **5**, sida 5).
- Installera en värmeledande plåt (bild **5** 1, sida 5) ovanför kylskåpet så att värmen inte ansamlas i fordonet.
- Avståndet mellan kylskåp och den bakre väggen måste vara minst 15 mm, men max. 25 mm.
- Om avståndet mellan kylskåpet och den bakre väggen är större än 25 mm orsakar detta lägre kyleffekt och högre energiförbrukning. Minska avståndet för att säkerställa fullgod luftning och ventilation (bild **6**, sida 5). Använd t.ex. en luftledningsplåt för att göra detta.
- Om det inte går att upprätthålla min.-avståndet mellan luftningsöppning och ventilationsöppning måste en takfläkt monteras istället för ventilationsöppningen.
 - Takfläkten bör om möjligt monteras direkt över kylskåpets baksida. Använd en luftkanal (bild **7** 1, sida 6) om du måste montera takfläkten med förskjutning eftersom det annars byggs upp värme.
 - Avståndet mellan luftningsöppningen och takfläkten måste vara minst 750 mm för RM10.5 och 534 mm för RMS10.5 (bild **7**, sida 6).
 - Om en takmonterad klimatanläggning har monterats måste avståndet mellan takfläkten (bild **8** 1, sida 7) och den takmonterade klimatanläggningens luftutsläpp (bild **8** 2, sida 7) vara minst 300 mm.

- Kylskåpet får inte monteras på sidan om luftnings- och ventilationsöppningarna eftersom detta kan orsaka lägre kyleffekt och ökad energiförbrukning.
- Luftnings- och ventilationsöppningen får under användning inte täckas för av fordonsdelar (t.ex. öppna dörrar eller monterade tillbehör som cykelhållare).
- Installera kylskåpet så att det är skyddat mot kraftig värmeinstrålning, då denna orsakar lägre kyleffekt och högre energiförbrukning.
- Kylskåpet måste installeras dragtätt.

4.2 Installera kylskåpet dragtätt



VARNING! Brandrisk!

Använd inga lättantändliga material som silikontätningssmassa, monteringskum eller liknande vid den dragtätta installationen.

Gasol drivna kylskåp i husvagnar eller husbilar måste installeras dragtätt. Det betyder att förbränningsluft inte hämtas från innerutrymmet och att avgaserna hindras från att tränga in i ytor där människor ska vistas.

Mellan kylskåpets bakre vägg och fordonets innerutrymme måste en lämplig tätning monteras.

Tillverkaren rekommenderar att en flexibel tätning används för att underlätta demonteringen och monteringen och av underhållsskäl.

Välj en av de tre versionerna för dragtät installation (bild **9**, sida 8):

Stoppstång bakom kylan (A)

1. Limma fast en böjlig tätningsläpp (**1**) på en stoppstång (**2**) bakom kylskåpet (**3**).
 2. Skjut kylskåp-ugn-kombinationen mot stoppstången med de böjliga tätningsläpparna.
- ✓ Utrymmet bakom kylskåpet är tätt förslutet mot fordonets insida.

Sidoglipsavstånd på upp till 5 mm mellan kylskåpet och möbeln (B)

1. Limma fast tätningsläpparna (se kapitel "Tillbehör" på sidan 162) på möbelns sida (**4**).
 2. Skjut kylskåp-ugn-kombinationen mot de böjliga tätningsläpparna på möbeln.
- ✓ Utrymmet bakom kylskåpet är tätt förslutet mot fordonets insida.

Sidoglipsavstånd på 5 till 10 mm mellan kylskåpet och möbeln (C)

1. Limma fast de dubbla tätningssläpparna (se kapitel "Tillbehör" på sidan 162) på möbelns sida (4).
 2. Skjut kylskåp-ugn-kombinationen mot de dubbla tätningssläpparna på möbeln.
- ✓ Utrymmet bakom kylskåpet är tätt förslutet mot fordonets insida.

4.3 Anordna luftnings- och ventilationsöppningar



ANVISNING

- Tillverkaren måste godkänna eventuella avvikelser från de luftnings- och ventilationsvariationer som finns angivna här.
- Vid höga omgivningstemperaturer kan kylskåpet endast leverera max. kyleffekt om luftningen och ventilationen har anordnats på ett optimalt sätt.

- Tillverka en luftnings- och en ventilationsöppning i ytterväggen med måtten 451 mm x 156 mm.

Observera anvisningarna angående detta, se kapitel "Förbereda installationen" på sidan 164.

Om luftningsöppningens ventilationsgaller inte kan monteras i jämnhöjd med inbyggnadsskåpets golv ska man montera en ventilationsöppning i golvet. Eventuellt läckande gasol kan i så fall strömma nedåt.

1. Tillverka minst en Ø 40 mm luftningsöppning i golvet (bild 10 1, sida 9) bakom kylskåpet i närheten av gasolbrännaren.
2. Skärma av öppningens utsida med en deflektor så att inte lera eller smuts kan tränga in under körningen (bild 10 2, sida 9).

Om du måste använda en takfläkt istället för ventilationsöppning:

- Gör ett urtag för ramen i taket. Mått som ska användas finns i takfläktens bruksanvisning.
- Observera anvisningarna angående detta, se kapitel "Förbereda installationen" på sidan 164.

4.4 Montera ventilationsgaller



ANVISNING

Använd endast Dometics originalventilationsgaller för säker drift.

Nr på bild 11 , sida 9	Beskrivning
1	Monteringsram
2	Ventilationsgaller
3	Regel
4	Vinterkåpa för ventilationsgaller (tillbehör)
5	Adapter för kondensstömningsslangen

1. Täta installationsramen för att göra anslutningen vattentät (bild **12**, sida 9).
2. Sätt i monteringsramen och skruva fast den (bild **13**, sida 9). Använd alla fästhål.
3. Installera slangadaptorn enligt bilden (bild **14** 1, sida 10).
4. Sätt in ventilationsgallret enligt bilden (bild **15**, sida 10).

4.5 Installera kondensvattenutloppet



ANVISNING

- När dörren öppnas ofta kan det hända att det bildas kondensvatten inuti kylskåpet. Kondensvatten kan även bildas på grund av livsmedel som förvaras på fel sätt eller om man förvara livsmedel vid för hög värme.
- Det måste alltid finnas en lutning så att kondensvattnet kan ledas ut.

Installera kondensvattenutloppet på följande sätt:

- Fäst kondensvattenslangen direkt i adaptorn på ventilationsgallret (bild **14** 2, sida 10).

4.6 Montera takfläkten

Nr på bild 16 , sida 10	Beskrivning
1	Kåpa
2	Monteringsram

1. Täta installationsramen för att göra anslutningen vattentät (bild **17**, sida 10).
2. Sätt i monteringsramen och skruva fast den (bild **18**, sida 11). Använd alla fästhål.
3. Sätt dit kåpan och skruva fast den (bild **19**, sida 11).

4.7 Fästa kylskåpet



AKTA!

Skruva alltid genom härför avsedda uttag eftersom skummade komponenter, t.ex. kablar, annars risker att skadas.



ANVISNING

Fäst sidoväggarna eller de monterade listerna så att skruvarna sitter fast även vid högre belastning (under körning).

1. För kylskåpet till den plats där det ska stå.
2. Skruva fast skruvarna (bild **20** 1, sida 11) genom plastuttaget i kylskåpets sidor och sedan i väggen.
3. Sätt på skydden (bild **20** 2, sida 11) på skruvskallarna.

5 Ansluta kylskåpet

5.1 Anslutning till gasolförsörjning



VARNING! Om man underlåter att följa de här varningarna kan följden bli dödsfall eller allvarlig personskada. Hälsorisk

- Kylskåpet får endast anslutas till gasolkällan av utbildad personal. De gällande nationella föreskrifterna och normerna måste följas.
- Det är **inte** tillåtet att ansluta en slang.
- Använd en skruvkoppling med metalltätning.
- Ta inte bort gasolfiltret (vitt) inuti kylskåpets gasolanslutning.
- Använd endast propan- eller butangasolfaskor (inte naturgas eller stadsgas) med provade och godkända tryckreduceringsventiler och passande kopplingsdel. Jämför tryckangivelsen på typskylten med tryckuppgifterna på propan- eller butangasolfaskans tryckregulator.
- Kylskåpet får **endast** användas med det tryck som anges på typskylten.
- Använd **endast** kylskåpet med den gasoltyp som finns angiven på typskylten.
- Beakta gällande bestämmelser om tryckvärden. Använd endast fast installerade tryckregulatorer som motsvarar nationella föreskrifter.



ANVISNING

Som alternativ kan man använda Dometics böjliga gasolanslutningsrör för spänningsfri installation.

Kylskåpet måste kunna spärras separat genom en spärranordning i gasledningen. Spärranordningen måste sitta på ett ställe som är lätt att komma åt.

1. Anslut säkert och manuellt kylskåpet till gasförsörjningen (bild **21**, sida 11).



VARNING! Explosionsrisk

Använd alltid de nedanstående vridmomenten:

Del i bild **21, sida 11**

Beskrivning

1

Skruv M4 (torx TX20),
Åtdragningsmoment: 2 Nm

Del i bild 21 , sida 11	Beskrivning
2	Gasanslutning för kylskåp: M14 x 1,5 (d = 8 mm/ISO 8434 (DIN 2353))
3	Gasledning med ringkoppling (storlek 17), Åtdragningsmoment: 25 Nm

- Efter korrekt installation låter man en behörig specialist utföra ett läckageprov och en provning med låga.
Kontrollera att du har fått ett provningscertifikat och överlämna certifikatet till slutanvändaren för förvaring.

5.2 Ansluta till likström och växelström



WARNING! Om man underlåter att följa de här varningarna kan följden bli dödsfall eller allvarlig personskada. Risk för dödsfall på grund av elektricitet

Endast specialister får utföra elinstallationen och reparationsarbeten under iakttagande av gällande nationella bestämmelser och normer.



ANVISNING

- Placera inte apparatens kontakt direkt bakom ventilationsgallret så att luftcirkulationen inte hindras och apparatens kontakt skyddas mot vattenstänk.
- Växelströmskabelns kontakt får inte skäras av.
- Anslutningskablarna måste dras så att de inte vidrör heta delar på aggregatet/brännaren eller vassa kanter.
- Förändringar av den interna elektriska installationen eller av anslutningen till andra elektriska komponenter (t.ex. extrafläktar från andra tillverkare) på kylskåpets invändiga kablar gör alla typer av garantianspråk ogiltiga.
- Det finns ett CI-bussgränssnitt på kylskåpen RM10.5 och RMS10.5 och man kan styra det via en kompatibel central fordonsdisplay.

Kylskåpets kretsschema (bild 22, sida 12)

Del i bild 22, sida 12	Beskrivning
1	Fläkt 1 (om det finns en tillvalsmodul)
2	Tillvalsmodul (tillval)
3	Likströmsförsörjning för ugn (om det finns tillvalsmodul)
4	Likströmsförsörjning för effektmodul
5	NTC 2: Utetemperatur (tillval)
6	NTC 1: Temperatursensor för färska livsmedel
7	Gasolventil
8	Belysning
9	Tungströmställare
10	S+ (tillval)
11	Värmeelement med likström
12	15 A-säkring
13	Likströmsrelä för värmepatron
14	Ingång gasol
15	Anslutningsblock för likström
16	Elektronisk kabel för likströmsförsörjning
17	Likströmsförsörjningskabel för värmeelement
18	CI-buss-anslutning
19	Växelströmsanslutning
20	Värmeelement med växelström
21	Jord
22	Jordfelsbrytare för växelström
23	Tändelektrod
24	Strömmodul
25	Displaymodul

Likström



WARNING! Brandrisk

- Elkabeln för värmeelementet måste skyddas med en säkring på 15 A.
- Elkabeln för elektroniken måste skyddas med en säkring på 2 A.



OBSERVERA!

Likströmsanslutningarnas respektive positiva och negativa elkablar för elektroniken (bild **22** 16, sida 12) och värmeelementet (bild **22** 17, sida 12) får **inte** kopplas ihop med varandra och transporteras i en enda kabel. Elektriska komponenter riskerar i sådana fall att påverkas elektriskt eller skadas.

Beakta följande kabelareor (bild **23**, sida 14):

- Anslutningar för värmeelement:
 - <6 m (invändigt): $\geq 6 \text{ mm}^2$
 - >6 m (invändigt): $\geq 10 \text{ mm}^2$
 - Kabel matad via dragstång (gäller endast husvagnar): $\geq 2,5 \text{ mm}^2$
 - Elektroniska anslutningar: $\geq 0,75 \text{ mm}^2$
 - Anslutningar D+ och S+: $\geq 0,75 \text{ mm}^2$
1. Montera ihop likströmsuttaget på följande sätt (bild **22**, sida 12):
 - Anslut **A** och **C** till batteriets positiva pol.
 - Anslut **D** och **F** till jord.
 - Anslut **B** till D+ signalen.
Kylskåpets elektronik använder generatorns signal D+ för att identifiera fordonsmotorn som är igång. I det automatiska driftläget väljer kylskåpet automatiskt det mest ekonomiska driftläget. Kylskåpet drivs bara med likström när fordonsmotorn är igång.
 - Anslut **E** till CI-BUSSEN.
 2. Anslut **10** till S+ signalen (tillval).
 3. Skydda försörjningskabeln **A** med en 2 A-säkring i fordonets kopplingslåda.
 4. Skydda försörjningskabeln **C** med en 15 A-säkring i fordonets kopplingslåda.
 5. Led försörjningskabeln **C** via ett tändningslåsstyrt relä.
På så sätt förhindrar man att batteriet laddas ur helt och hållet om motorn råkar slås av av misstag.

Växelström

- Anslut kylskåpet till ett växelströmsuttag med hjälp av apparatens kontakt.

6 Avfallshantering

Återvinning av produkter med icke-utbytbara batterier, laddningsbara batterier eller ljuskällor



➤ Om produkten innehåller icke-utbytbara batterier, laddningsbara batterier eller ljuskällor behöver du inte avlägsna dem före kassering.

➤ När produkten slutgiltigt tas ur bruk: Informera dig om gällande bestämmelser hos närmaste återvinningscentral eller hos återförsäljaren.



➤ Produkten kan kasseras utan avgift.




Återvinning av förpackningsmaterial



➤ Lämna om möjligt förpackningsmaterialet till återvinning.

7 Tekniska data

	RM10.5(S)(T)	RMS10.5(S)(T)	RMS10.5X(S)(T)
Anslutningsspänning:	230 V~ /50 Hz 12 V==		
Volym			
Bruttovolym:	88 l	78 l	92 l
Kylfack:	78,7 l	69,1 l	80,3 l
Frysack:	9,2 l	9,2 l	12,1 l
Total nettovolym:	86 l	76 l	90 l
Exklusive frysack			
Bruttovolym:	93 l	83 l	98 l
Nettovolym:	91 l	81 l	96 l
Strömningång:	135 W (230 V~) 130 W (12 V==)		
Energiförbrukning:	2,8 kWh/24 h (230 V~)	2,5 kWh/24 h (230 V~)	3,2 kWh/24 h (230 V~)
Gasförbrukning:	270 g/24 h		
Anslutningstryck för gas:	30 mbar		
Klimatklass:	SN		

	RM10.5(S)(T)	RMS10.5(S)(T)	RMS10.5X(S)(T)
Mått H x B x D:	821 x 523 x 548 mm		821 x 523 x 603 mm
Vikt:	28 kg	27,4 kg	29 kg
Provning/certifikat:	  		

Se respektive produktsida på dometic.com eller kontakta tillverkaren för aktuell EU-försäkran om överensstämmelse för din apparat (gå till dometic.com/dealer).

Läs in QR-koden på energimärkningen i bilderna för mer information om produkten eller besök eprel.ec.europa.eu.

Vennligst les disse instruksjonene nøye og følg alle anvisninger, retningslinjer og advarsler i denne produktveiledningen for å sikre at du installerer, bruker og vedlikeholder produktet ordentlig til enhver tid. Disse instruksjonene MÅ alltid følge med produktet.

Ved å bruke dette produktet bekrefter du at du har lest alle anvisninger, retningslinjer og advarsler grundig, og at du forstår og samtykker i å overholde vilkårene slik de er presentert her. Du godtar å bruke dette produktet kun til tiltenkt formål og bruksområder, og i samsvar med anvisningene, retningslinjene og advarslene slik de er presentert i denne produktveiledningen, så vel som i samsvar med alle gjeldende lovbestemmelser og forskrifter. Hvis anvisningene og advarslene som er presentert her, ikke blir lest og fulgt, kan det føre til personskader hos deg selv eller andre, skader på produktet eller skader på annen eiendom i nærheten. Denne produktveiledningen med sine anvisninger, retningslinjer og advarsler, samt relatert dokumentasjon, kan være underlagt endringer og oppdateringer. For oppdatert produktinformasjon, se documents.dometic.com, dometic.com.



Du finner den detaljerte bruksanvisningen og informasjon om tekniske spesifikasjoner online under https://documents.dometic.com/?object_id=69924

Innholdsfortegnelse

1	Symbolforklaring	175
2	Sikkerhetsregler	176
3	Tilbehør	178
4	Forskriftsmessig bruk	179
5	Koble til kjølesystemet	186
6	Avfallsbehandling	190
7	Tekniske spesifikasjoner	190

1 Symbolforklaring



ADVARSEL!

Sikkerhetsregel: Kjennetegner en farlig situasjon som - dersom den ikke unngås - kan resultere i alvorlige personskader, eventuelt med døden til følge.



FORSIKTIG!

Sikkerhetsregel: Kjennetegner en farlig situasjon som - dersom den ikke unngås - kan resultere i mindre til moderate personskader.

**PASS PÅ!**

Kjennetegner en situasjon som - dersom den ikke unngås - kan resultere i materielle skader.

**MERK**

Ytterligere informasjon om betjening av produktet.

2 Sikkerhetsregler



ADVARSEL! Manglende overholdelse av disse advarslene kan resultere i alvorlige personskader, eventuelt med døden til følge.

Fare for elektrisk støt

- Montasje og demontering av kjøleskapet må kun utføres av kvalifiserte fagfolk.
- Reparasjoner på dette kjøleskapet må kun utføres av fagfolk. Feil reparasjoner kan føre til betydelige farer hhv. skader på kjøleskapet.
- Hvis tilkoblingskabelen til dette kjøleskapet kommer til skade, må det skiftes ut av produsenten, produsentens kundeservice eller en annen kvalifisert person for å unngå farlige situasjoner.
- Ved posisjonering av kjøleskapet, sørg for at strømledningen ikke sitter fast eller er skadet.
- Ikke plasser flere mobile strømkontakter eller mobile strømforsyninger bak på kjøleskapet.
- Plugg apparatet til kontakter som sikrer en ordentlig forbindelse, spesielt når apparatet trenger å jordes.

Eksplisjonsfare

- Absorbsjonsaggregatet må aldri åpnes. Det står under høytrykk og kan forårsake personskader hvis det åpnes.
- Ikke lagre eksplosjonsfarlige stoffer som f.eks. spraybokser med drivgass i kjøleskapet.
- Apparatet må **kun** drives med trykket som er oppgitt på typeskiltet. Bruk kun fast innstilte trykkregulatorer som oppfyller de nasjonale forskriftene (i Europa EN 12864).

Brannfare

- Pass på at bearbeidingen av silikontetningsmasse e.l. er blir jevn og uten rester. Hvis silikontråder kommer i kontakt med varme deler eller åpen ild, er det fare for brann.
- Kontroller aldri at apparatet er tett ved hjelp av åpen ild.
- Bruk kun propan- eller butangass (**ikke** naturgass).
- Kjølemiddelet i kjølekretsløpet er lett antennelig og ved en eventuell lekkasje kan forbrenningsgasser dannes dersom apparatet står i et lite rom.

Ved skader på kjølekretsløpet (lukt av ammoniakk):

- Hold åpne flammer og potensielle tennkilder unna kjøleskapet.
- Sørg for god ventilasjon i rommet.
- Slå av kjøleskapet.

Helsefare

- Apparatet må ikke tas i bruk hvis det har synlige skader.
- Hvis vekselstrøm-tilkoblingskabelen til dette apparatet kommer til skade, må det skiftes ut av produsenten, et serviceverksted eller annen kvalifisert person for å unngå farlige situasjoner.

Fare for at barn blir innestengt

- Sørg for at hyllene er montert og festet slik at barn ikke kan sperre seg selv inne i kjøleskapet.
- Før ditt gamle kjøleskap skal kastes:
 - Demonter skuffen.
 - La hyllene bli værende i kjøleskapet, slik at barn ikke kan gå inn i det.



FORSIKTIG! Manglende overholdelse av disse forsiktighetsvarslene kan resultere i mindre til moderate personskader.

Fare for elektrisk støt

- Sikre at strømkabelen og støpselet er tørre før apparatet startes opp.

Klemfare

- Ikke grip i hengselet.

Helsefare

- For å unngå farer som følge av en manglende stabilitet på kjøleskapet, må det festes i samsvar med installeringsinstruksene.
- Kjølekretsløpet må ikke åpnes eller skades under noen omstendigheter.



PASS PÅ! Fare for skader

- Hold bare apparatet i selve kroppen under transport. Hold aldri apparatet på absorpsjonsaggregatet, kjøleribbene, gassledningene, døren eller kontrollpanelet.
- Ikke monter apparatet i nærheten av åpen ild eller andre varmekilder (radiatorer, gassovner osv.).
- **Fare for overoppheting!**
Påse at varme som oppstår under drift alltid blir tilstrekkelig ventilert bort. Påse at apparatet står langt nok unna vegger eller gjenstander, slik at luften kan sirkulere.
- Kontroller at spenningsspesifikasjonen på dataskiltet stemmer overens med den foreliggende strømforsyningen.
- Bruk bare den tilhørende vekselstrøm-tilkoblingskabelen til å koble apparatet til en vekselstrømsstikkontakt.
- Bruk kun kabler med passende tverrsnitt.
- Trekk aldri ut støpselet fra stikkkontakten etter tilkoblingskabelen.
- Apparatet må ikke utsettes for regn.

3 Tilbehør

Beskrivelse

Fleksibelt gassrør

Tetning for treksikker installasjon for åpninger på 1 – 5 mm (fig. **9 B**, side 7)

Tetning for treksikker installasjon for åpninger på 5 – 10 mm (fig. **9 C**, side 7)

Vinterdeksel WA 130 for luftegitteret LS 200

Adapterkabel

- WAGO til CEE
- WAGO til UK
- WAGO til JST
- WAGO til MATE-N-LOK

Alternativt viftesett REF-FANKIT

Alternativ batteripakke R10-BP for uavhengig gassdrift

Alternativt oppbevaringssett

4 Forskriftsmessig bruk

Kjøleskapet er egnet for:

- Montering i campingbiler og bobiler
- Kjøling, dypfrysing og oppbevaring av matvarer

Kjøleskapet er ikke egnet for:

- Oppbevaring av legemidler
- Oppbevaring av etsende stoffer eller stoffer som inneholder løsemidler
- Hurtigfrysing av matvarer

Kjøleskapet er ment for montering i et møbel eller en installasjonsnisje.

Dette kjøleskapet er ikke beregnet for husholdningsbruk.

Frysevarerommet er egnet for oppbevaring av allerede nedfrosset mat, samt oppbevaring eller laging av iskrem og isbiter. Det er ikke egnet til å fryse matvarer som hittil ikke har vært frosset.

Dette produktet er kun egnet for det tiltenkte formålet og bruksområdet i samsvar med disse instruksjonene.

Denne veiledningen gir informasjon som er nødvendig for korrekt installasjon og/eller bruk av produktet. Feilaktig installasjon og/eller ukorrekt bruk eller vedlikehold vil resultere i en utilfredsstillende ytelse og mulig svikt.

Produsenten fraskriver seg ethvert ansvar for personskader eller materielle skader på produktet som følge av:

- Ukorrekt montering eller tilkobling, inkludert for høy spenning
- Ukorrekt vedlikehold eller bruk av andre reservedeler enn originale reservedeler levert av produsenten
- Modifisering av produktet uten at det er gitt uttrykkelig godkjenning av produsenten
- Bruk til andre formål enn beskrevet i denne veiledningen

Dometic forbeholder seg rettigheten til å endre produktet ytre og produktspesifikasjoner.

Dette produktet er kun egnet for det tiltenkte formålet og bruksområdet i samsvar med disse instruksjonene.

Denne veiledningen gir informasjon som er nødvendig for korrekt installasjon og/eller bruk av produktet. Feilaktig installasjon og/eller ukorrekt bruk eller vedlikehold vil resultere i en utilfredsstillende ytelse og mulig svikt.

Produsenten fraskriver seg ethvert ansvar for personskader eller materielle skader på produktet som følge av:

- Ukorrekt montering eller tilkobling, inkludert for høy spenning
- Ukorrekt vedlikehold eller bruk av andre reservedeler enn originale reservedeler levert av produsenten
- Modifisering av produktet uten at det er gitt uttrykkelig godkjenning av produsenten
- Bruk til andre formål enn beskrevet i denne veiledningen

Dometic forbeholder seg rettigheten til å endre produktet ytre og produktspesifikasjoner.

Montere kjøleskapet



FORSIKTIG! Helsefare

For å unngå farer ved mangler stabilitet, skal apparatet monteres i samsvar med instruksene.



Du finner bruksanvisningen for bytte av dørstopper og dekorplate online på <https://dometic.com/manuals>

4.1 Forberede montering



PASS PÅ!

- Kjøleskapet kan ikke installeres bak i bobiler med døren pekende i kjøreretning.
- Bruk kun originalt luftegitter fra Dometic for å garantere sikker drift.

Følg ved montering av kjøleskapet følgende tips:

- Forsikre deg om at gulvet er solid og vannrett. Parker derfor kjøretøyet horisontalt.
- Forsikre deg om at kjøleskapet står vannrett.
- Kjøleskapet må installeres slik at det
 - er lett tilgjengelig for servicearbeider
 - er lett å deinstallere og installere
 - enkelt kan fjernes fra kjøretøyet

- Kjøleskapet må monteres i en nisje slik at det står sikkert når kjøretøyet beveges. Ta hensyn til følgende mål i (fig. **1**, side 3 og fig. **2**, side 4):

	RM 10.5(S)(T)	RMS 10.5(S)(T)	RMS 10.5X(S)(T)
Kjølesystem	Totalt mål i mm		
Høyde (A)	821	821	821
Bredde (B)	523	523	523
Dybde (C) (unntatt kontrollknapp 5 mm)	548	548	603
Utsparing	Mål i mm		
Høyde (H)	≥829	≥829	≥829
Bredde (W)	≥525,5	≥525,5	≥525,5
Dybde (D)	≥563	≥563	≥618

- Kjøleskapet må installeres med en minsteavstand på 5 mm fra gulvet for å sikre at døren kan åpnes ordentlig (fig. **3**, side 4).
 - Ikke plasser kjøleskapet direkte på gulvet.
 - Forsikre deg om at ingen tepper begrenser dørens bevegelsesfrihet.
- I ytterveggen må det tilrettelegges en ventilasjonsåpning (fig. **4** 1, side 4) og en lufteåpning (fig. **4** 2, side 4) med luftegitter, slik at varmen som oppstår kan slip- pes ut:
 - Ventilasjonsåpning: Monter luftegitteret så mye som mulig i flukt med bunnen til monteringsnisjen.
 - Lufteåpning: Så langt som mulig over kjøleskapet.
 - Avstanden mellom ventilasjonsåpningen og lufteåpningen må være minst 750 mm for RM10.5 og 534 mm for RMS10.5 (fig. **5**, side 5).
- Tilrettelegg en varmeledeplate på oversiden av kjøleskapet (fig. **5** 1, side 5), slik at varmen ikke samles opp i kjøretøyet.
- Avstanden mellom kjøleskapet og bakveggen må være minst 15 mm, men ikke mer enn 25 mm.
- En avstand på over 25 mm mellom kjøleskapet og bakveggen fører til redusert effekt og økt energiforbruk i kjøleskapet. Reduser hulrommet bak kjøleskapet for å sikre tilstrekkelig lufting (fig. **6**, side 5). Bruk f.eks. en luftledeplate.

- Hvis minsteavstanden mellom lufteråpningen og ventilasjonsåpningen ikke kan overholdes, må det monteres en takventilator i stedet for ventilasjonsåpningen.
 - Takventilatoren bør helst ligge rett over baksiden av kjøleskapet. Hvis takventilatoren må plasseres annerledes, må det brukes en luftekanal (fig. **7** 1, side 6) for å forhindre varmeansamlinger.
 - Avstanden mellom lufteråpningen og takventilatoren må være minst 750 mm for RM10.5 og 534 mm for RMS10.5 (fig. **7**, side 6).
 - Hvis det er montert et takklimaanlegg, må det være minst 300 mm avstand mellom takventilasjonen (fig. **8** 1, side 7) og luftutslippet på takklimaanlegget (fig. **8** 2, side 7).
- Kjøleskapet må ikke monteres på siden av lufter- og ventilasjonsåpningene, da det kan føre til redusert effekt og økt energiforbruk i kjøleskapet.
- Lufter- og ventilasjonsåpningene må ikke dekkes til av kjøretøydeler under drift (f.eks. en åpen dør eller ved montert tilbehør som sykkelfeste).
- Installer kjøleskapet beskyttet mot sterk varmestråling, da det kan føre til redusert effekt og økt energiforbruk i kjøleskapet.
- Kjøleskapet må monteres tett mot trekk.

4.2 Montere kjøleskapet tett mot trekk



ADVARSEL! Brannfare!

Ikke bruk lettantennelige materialer som silikon-tetningsmasse, monteringskum eller lignende for å gjøre montasjen tett mot trekk.

Gassdrevne kjøleapparater i campingvogner eller bobiler må monteres tett mot trekk. Det betyr at forbrenningsluften ikke hentes innenfra, og at avgassene hindres fra å trenge direkte inn i boområdet.

En egnet tetning må finnes mellom bakveggen til kjøleskapet og innsiden av kjøretøyet.

Produsenten anbefaler å bruke en fleksibel tetning for å forenkle ut- og innbygging for vedlikeholdsformål.

Velg en av de tre versjonene for treksikker installasjon (fig. **9**, side 8):

Stoppestang bak kjøleskapet (A)

1. Lim en fleksibel tetningsleppe (**1**) til en stoppestang (**2**) bak på kjøleskapet (**3**).
2. Skyv kjøleskap-ovn-kombinasjonen mot stoppestangen med de fleksible tetningsleppene.

✓ Plassen bak kjøleskapet er tettet mot kjøretøyets interiør.

Sprekk på siden på opptil 5 mm mellom kjøleskap og møbel (B)

1. Lim tetningsleppene (se kapittel «Tilbehør» på side 178) på siden av møbelet (4).
 2. Skyv kjøleskap-ovn-kombinasjonen mot de fleksible tetningsleppene på møbelet.
- ✓ Plassen bak kjøleskapet er tett mot kjøretøyets interiør.

Sprekk på siden på 5 mm - 10 mm mellom kjøleskap og møbel (C)

1. Lim tetningen med dobbeltlepper (se kapittel «Tilbehør» på side 178) på siden av møbelet (4).
 2. Skyv kjøleskap-ovn-kombinasjonen mot tetningen med dobbeltlepper på møbelet.
- ✓ Plassen bak kjøleskapet er tett mot kjøretøyets interiør.

4.3 Lage ventilasjons- og lufteåpninger



MERK

- Avvik fra inntaks- og utslippsvariasjonene som er vist her, må godkjennes av produsenten.
- Ved høye omgivelsestemperaturer kan kjøleskapet bare oppnå sin maksimale kjøleeffekt når det er optimal ventilasjon og lufting.

- Lag en ventilasjonsåpning og en lufteåpning i ytterveggen med størrelsen 451 mm x 156 mm.

Følg anvisningene, se kapittel «Forberede montering» på side 180.

Hvis luftegitteret til lufteåpningen ikke kan monteres i flukt med gulvet til monteringsnisen, lag en ventilasjonsåpning i gulvet. Enhver lekkende gass kan dermed strømme nedover.

1. Lag en ventilasjonsåpning på minst Ø 40 mm i gulvet (fig. 10 1, side 9) i området rundt gassbrenneren bak kjøleskapet.
2. Dekk til utsiden av åpningen slik at slam eller smuss ikke kan trenge inn mens du kjører (fig. 10 2, side 9).

Hvis det må brukes en takventilator i stedet for ventilasjonsåpningen:

- Utfør et rammeutsnitt i taket. Målet som trengs finner du i veiledningen for takventilatoren.
- Følg anvisningene, se kapittel «Forberede montering» på side 180.

4.4 Montere luftegitter



MERK

Bruk kun originalt luftegitter fra Dometic for å garantere sikker drift.

Nr. i fig. 11, side 9	Beskrivelse
1	Monteringsramme
2	Luftegitter
3	Skyver
4	Vinterdeksel for luftegitteret (tilbehør)
5	Adapter for tappeslange for kondens

1. Forsegle installasjonsrammen for å gjøre tilkoblingen vannfast (fig. 12, side 9).
2. Sett inn monteringsrammen og skru den fast (fig. 13, side 9). Bruk alle festehull til dette.
3. Installer slangeadapteren som vist (fig. 14 1, side 10).
4. Sett inn luftegitteret som vist (fig. 15, side 10).

4.5 Installere kondensvannutløp



MERK

- Det kan oppstå kondens inne i kjøleskapet på grunn av hyppig dør-åpning, feillagret mat eller mat som legges inn når den er for varm.
- Kondensen må tømmes med en konstant skråstilling.

Installer kondensutløpet som følger:

- Fest kondensslangen direkte til adapteren på luftegitteret (fig. 14 2, side 10).

4.6 Montering av takvifte

Nr. i fig. 16, side 10	Beskrivelse
1	Deksel
2	Monteringsramme

1. Forsegle installasjonsrammen for å gjøre tilkoblingen vannfast (fig. 17, side 10).
2. Sett inn monteringsrammen og skru den fast (fig. 18, side 11). Bruk alle festehull til dette.
3. Sett på dekselet og skru det fast (fig. 19, side 11).

4.7 Feste kjøleskap



FORSIKTIG!

Skru alltid i punktene som er tilrettelagt for dette, ellers kan innskummede komponenter som f.eks., ledninger komme til skade.



MERK

Fest sideveggene eller de påførte listene på en slik måte at skruene også sitter godt ved høy belastning (under kjøring).

1. Sett kjøleskapet i sin endelige posisjon.
2. Skru skruene (fig. 20 1, side 11) inn gjennom plasthylsene i sideveggene på kjøleskapet og videre inn i nisjeveggen.
3. Sett hettene (fig. 20 2, side 11) på skruehodene.

5 Koble til kjølesystemet

5.1 Tilkobling til gassforsyningen



ADVARSEL! Manglende overholdelse av disse advarslene kan resultere i alvorlige personskader, eventuelt med døden til følge. Helsefare

- Kjøleskapet må bare kobles til gassforsyningen av en fagperson og i henhold til gjeldende nasjonale forskrifter og standarder.
- Tilkobling med slange er **ikke** tillatt.
- Bruk en metallforseglet skruetilkobling.
- Gassfilteret (hvitt) i kjøleskapets gasstilkobling må ikke fjernes.
- Bruk kun propan- eller butangassflasker (ikke naturgass eller kullgass) med testet trykkreduksjonsventil og et passende toppstykke. Sammenlikne trykkangivelsen på typeskiltet med trykkangivelsen på trykkregulatoren på propan- eller butangassflasken.
- Kjøleskapet må **kun** drives med trykket som er oppgitt på typeskiltet.
- Kjøleskapet må **kun** drives med den gasstypen som er oppgitt på typeskiltet.
- Vær oppmerksom på trykkene som er tillatt i ditt land. Bruk kun fast innstilte trykkregulatorer som oppfyller de nasjonale forskriftene.



MERK

Alternativt kan du bruke Dometics fleksible gassforbindelsesrør for å holde installasjonen trykklfri.

Kjøleskapet må kunne sperres av separat ved hjelp av en stengeinnretning i gassledningen. Stengeinnretningen må være lett tilgjengelig.

1. Koble kjøleskapet fast og spenningsfritt til gassforsyningen (fig. **21**, side 11).



ADVARSEL! Eksplosjonsfare

Det er viktig at du overholder følgende tiltrekkingsmomenter:

Posisjon i fig. 21, side 11	Beskrivelse
1	Skrue M4 (Torx TX20), Tiltrekkingsmoment: 2 Nm
2	Kjøleskapskapsstilkobling: M14 x 1,5 (d = 8 mm / ISO 8434 (DIN 2353))
3	Gassrør med ringkobling (størrelse 17), Tiltrekkingsmoment: 25 Nm

- Få utført en lekkasjetest og en flammetest av en autorisert spesialist etter profesjonell installasjon.
Sørg for at du er utstyrt med et inspeksjonssertifikat og overlever dette sertifikatet til sluttbrukeren for oppbevaring.

5.2 Tilkobling til likestrøm og vekselstrøm



ADVARSEL! Manglende overholdelse av disse advarslene kan resultere i alvorlige personskader, eventuelt med døden til følge. Fare for elektrisk støt

Den elektriske installasjonen og reparasjoner må bare utføres av en fagperson og iht. gjeldende nasjonale forskrifter og standarder.



MERK

- Enhetens plugg må ikke plasseres rett bak luftegitteret for å forhindre luftsirkulasjon fra å reduseres og beskytte enhetspluggen mot vannsprut.
- Enhetspluggen på vekselstrøm-tilkoblingskabelen må ikke kuttes av.
- Tilkoblingskablene må legges slik at de ikke kan komme i berøring med varme deler på aggregatet/brenneren eller med skarpe kanter.
- Forandringer på den interne elektriske installasjonen eller tilkoblingen til andre elektriske komponenter (f.eks. ekstern ekstravifte) på det interne ledningsnettet til kjøleskapet, fører til en annullering av ethvert krav knyttet til garanti og produktansvar!
- Kjøleskapene RM 10.5 og RMS 10.5 har et Cl-bussgrensesnitt og kan kontrolleres gjennom et kompatibelt sentralt kjøretøysdisplay.

Kjøleskapets koblingsskjema (fig. 22, side 12)

Posisjon i fig. 22, side 12	Beskrivelse
1	Vifte 1 (hvis alternativmodulen er tilgjengelig)
2	Alternativmodul (ekstrautstyr)
3	Likestrømsforsyning ovn (hvis alternativmodul er tilgjengelig)
4	Likestrømsforsyning strømmodul
5	NTC 2: Utetemperatur (alternativ)
6	NTC 1: Temperatursensor for ferske matvarer
7	Gassventil
8	Belysning
9	Reed-bryter
10	S+ (ekstrautstyr)
11	Varmeelement likestrøm
12	15 A sikring
13	Likestrømsrelé for varmepatron
14	Inngang gass
15	Likestrøms-tilkoblingsblokk
16	Likestrømsforsyningskabel elektronikk
17	Likestrømsforsyningskabel varmeelement
18	CI-busstilkobling
19	Vekselstrømnett
20	Varmeelement vekselstrøm
21	Jord
22	Vekselstrømvern jord
23	Tenningselektrode
24	Strømmodul
25	Displaymodul

Likestrøm**ADVARSEL! Brannfare**

- Forsyningslinjen til varmeelementet må være beskyttet av en 15 A-sikring.
- Forsyningslinjen til elektronikken må være beskyttet av en 2 A-sikring.

**PASS PÅ!**

De respektive positive og negative forsyningskablene til likestrømsforbindelsene for elektronikk (fig. **22** 16, side 12) og varmeelement (fig. **22** 17, side 12) må **ikke** forbindes med hverandre og føres på én ledning. Det kan føre til elektrisk påvirkning eller skader på elektriske komponenter.

Overhold følgende ledningstverrsnitt (fig. **23**, side 14):

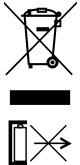
- Tilkoblinger varmeelement:
 - <6 m (i kupeen): $\geq 6 \text{ mm}^2$
 - >6 m (i kupeen): $\geq 10 \text{ mm}^2$
 - Kabelmating via vognstang (kun campingbiler): $\geq 2,5 \text{ mm}^2$
 - Tilkoblinger elektronikk: $\geq 0,75 \text{ mm}^2$
 - Forbindelse D+ og S+: $\geq 0,75 \text{ mm}^2$
1. Monter likestrømskontakten som følger (fig. **22**, side 12):
 - Koble **A** og **C** til plusspolen på batteriet.
 - Koble **D** og **F** til jord.
 - Koble **B** til D+ signalet.
Elektronikken til kjøleskapet bruker bare signalet D+ fra dynamoen for å registrere kjøretøymotoren som er i gang. I automatisk driftsmodus velger kjøleskapet automatisk den gunstigste driftsmåten som foreligger. Kjøleskapet drives bare med likestrøm hvis kjøretøymotoren er i gang.
 - Koble **E** til CI-bussen.
 2. Koble **10** til S+ signalet (alternativ).
 3. Beskytt forsyningsledningen **A** med en 2 A-sikring i strømfordelerboksen på kjøretøyet.
 4. Beskytt forsyningsledningen **C** med en 15 A-sikring i strømfordelerboksen på kjøretøyet.
 5. Kjør forsyningsledningen **C** via et tenningsstyrt relé.
Dette forhindrer at batteriet lades fullstendig ut hvis motoren slås av ved et uhell.

Vekselstrøm

- Koble kjøleskapet til et vekselstrømuttak ved bruk av enhetspluggen.

6 Avfallsbehandling

Resirkulering av produkter med ikke-erstattbare batterier, oppladbare batterier eller lyskilder



- Hvis produkter inneholder ikke-erstattbare batterier, oppladbare batterier eller lyskilder, trenger du ikke fjerne dem før avhending.
- Hvis du ønsker å avfallsbehandle produktet, må du rådføre deg med nærmeste gjenvinningsstasjon eller din faghandler om hvordan du kan gjøre dette i overensstemmelse med gjeldende deponeringsforskrifter.
- Produktet kan avhendes gratis.




Resirkulering av emballasje



- Lever emballasje til resirkulering så langt det er mulig.

7 Tekniske spesifikasjoner

	RM10.5(S)(T)	RMS10.5(S)(T)	RMS10.5X(S)(T)
Tilkoblingsspenning:	230 V~ / 50 Hz 12 V==		
Innhold			
Bruttoinnhold:	88 l	78 l	92 l
Kjølerom:	78,7 l	69,1 l	80,3 l
Fryserom:	9,2 l	9,2 l	12,1 l
Totalt nettoinnhold:	86 l	76 l	90 l
Unntatt fryserom			
Bruttoinnhold:	93 l	83 l	98 l
Nettoinnhold:	91 l	81 l	96 l
Inngangseffekt:	135 W (230 V~) 130 W (12 V==)		
Energiforbruk:	2,8 kWh / 24 t (230 V~)	2,5 kWh / 24 t (230 V~)	3,2 kWh / 24 t (230 V~)
Gassforbruk:	270 g / 24 t		

	RM10.5(S)(T)	RMS10.5(S)(T)	RMS10.5X(S)(T)
Gasstikoblingstrykk:	30 mbar		
Klimaklasse:	SN		
Mål H x B x D:	821 x 523 x 548 mm		821 x 523 x 603 mm
Vekt:	28 kg	27,4 kg	29 kg
Inspeksjon/sertifisering:	  		

For den gjeldende EU-samsvarserklæringen for din enhet, se den aktuelle produkt-siden på dometic.com eller ta kontakt med produsenten direkte (se dometic.com/dealer).

Ytterligere produktinformasjon kan nås via QR-koden på energietiketten på produktet eller via eprel.ec.europa.eu.

Lue nämä ohjeet huolellisesti ja noudata kaikkia tämän tuotteen käyttöohjeissa annettuja ohjeita, määräyksiä ja varoituksia. Näin varmistat, että tuotteen asennus, käyttö ja huolto sujuu aina oikein. Näiden ohjeiden TÄYTYY jäädä tuotteen yhteyteen.

Käyttämällä tuotetta vahvistat lukeneesi kaikki ohjeet, määräykset ja varoitukset huolellisesti ja että ymmärrät ja hyväksyt tässä annetut ehdot. Sitoudut käyttämään tuotetta ainoastaan sen käyttötarkoitukseen ja ilmoitetuissa käyttökohteissa ja noudattaen tässä tuotteen käyttöohjeessa annettuja ohjeita, määräyksiä ja varoituksia sekä voimassa olevia lakeja ja määräyksiä. Tässä annettujen ohjeiden ja varoitusten lukematta ja noudattamatta jättäminen voi johtaa omaan tai muiden loukkaantumiseen, tuotteen vaurioitumiseen tai muun ympärillä olevan omaisuuden vaurioitumiseen. Tähän tuotteen käyttöohjeeseen, ohjeisiin, määräyksiin ja varoituksiin sekä ohjesidoksentietoihin voidaan tehdä muutoksia ja niitä voidaan päivittää. Katso ajantasaiset tuotetiedot osoitteesta documents.dometic.com, dometic.com.



Yksityiskohtaisen käyttöohjeen ja teknisiä tietoja koskevaa informaatiota löydät internetistä osoitteesta
https://documents.dometic.com/?object_id=69924

Sisällysluettelo

1	Symbolien selitykset	192
2	Turvallisuusohjeet	193
3	Lisävarusteet	195
4	Käyttötarkoitus.	195
5	Jääkaapin liittäminen	203
6	Hävittäminen	207
7	Tekniset tiedot.	207

1 Symbolien selitykset



VAROITUS!

Turvallisuusohjeet: viittaavat vaaralliseen tilanteeseen, joka voi johtaa kuolemaan tai vakavaan loukkaantumiseen, jos ohjeita ei noudateta.



HUOMIO!

Turvallisuusohjeet: viittaavat vaaralliseen tilanteeseen, joka voi johtaa lievään tai kohtalaiseen loukkaantumiseen, jos ohjeita ei noudateta.



HUOMAUTUS!

viittaavat tilanteeseen, joka voi johtaa esinevahinkoon, jos ohjeita ei noudateta.

**OHJE**

Tuotteen käyttöä koskevia lisätietoja.

2 Turvallisuusohjeet



VAROITUS! Näiden varoitusten noudattamatta jättäminen voi johtaa kuolemaan tai vakavaan vammaan.

Sähköiskun vaara

- Jääkaapin saavat asentaa ja irrottaa ainoastaan tehtävään pätevät henkilöt.
- Ainoastaan ammattilaiset saavat korjata tätä jääkaappia. Epäasianmukaisista korjauksista saattaa aiheutua huomattavia vaaroja tai vahinkoa jääkaapille.
- Jos tämän jääkaapin liitäntäjohto vaurioituu, valmistajan tai valtuutetun asiakaspalvelun tai vastaavasti pätevän henkilön pitää vaihtaa se vaaran välttämiseksi.
- Kun sijoitat jääkaappia paikalleen, varmista, ettei virtajohto tartu kiinni mihinkään eikä vaurioidu.
- Älä sijoita siirrettäviä pistorasialistoja tai siirrettäviä virtalähteitä jääkaapin taakse.
- Liitä laite pistorasiaan, jolla liitäntä on varmasti tukeva, etenkin jos laite täytyy maadoittaa.

Räjähdyksivaara

- Älä milloinkaan avaa absorptioaggregaattia. Se on korkean paineen alainen ja voi aiheuttaa loukkaantumisia, jos se avataan.
- Älä säilytä jääkaapissa mitään räjähdysalttiita tavaroita kuten esim. suihkepurkkeja, joissa on palavaa ponneainetta.
- Laitetta saa käyttää **vain** tyyppikilvessä mainitulla paineella. Käytä vain kiinteästi säädettyjä paineensäätimiä, jotka vastaavat kansallisia määräyksiä (Euroopassa EN 12864).

Palovaara

- Varmista, että työ tehdään siististi ja ilman jäämiä, kun käytetään silikonitiivistemassaa tms. Jos silikonisäikeet joutuvat kosketuksiin kuumien osien tai avoliekkien kanssa, on olemassa palovaara.
- Älä koskaan etsi laitteesta vuotoja avoliekin avulla.

- Käytä vain propaani- tai butaanikaasua (**ei** maakaasua).
- Jäähdytyskierron sisältämä kylmäaine on helposti syttyvää, ja jos sitä vuotaa, on olemassa vaara, että tilaan kertyy palavia kaasuja, jos laite on pienessä tilassa.
Jäähdytyskierron vahingoituttua (ammoniakin haju):
 - Pidä avoliekit ja mahdolliset sytytyslähteet loitolla jääkaapista.
 - Tuuleta tila huolellisesti.
 - Kytke jääkaappi pois päältä.

Terveysvaara

- Laitetta ei saa ottaa käyttöön, jos laitteessa on näkyviä vaurioita.
- Jos tämän laitteen vaihtovirtaliitännäjohto vaurioituu, valmistajan, valtuutetun huoltopalvelun tai vastaavasti pätevän henkilön täytyy vaihtaa johto vaaran välttämiseksi.

Lasten loukkuun jäämisen vaara

- Varmista, että hyllyt on asennettu ja varmistettu niin, lapset eivät voi lukita itseään jääkaapin sisälle.
- Ennen kuin hävität vanhan jääkaapin:
 - Irrota laatikko.
 - Jätä hyllyt jääkaappiin, jotta lapset eivät voi kiivetä kaapin sisälle.



HUOMIO! Näiden varoitusten noudattamatta jättäminen voi johtaa vähäiseen tai kohtalaiseen vammaan.

Sähköiskun vaara

- Huolehdi ennen laitteen käyttöönottoa siitä, että johto ja pistoke ovat kuivia.

Rusentumisvaara

- Älä koske saranaan.

Terveysvaara

- Jääkaappi on kiinnitettävä asennusohjeen mukaisesti, jotta jääkaapin epävakauudesta aiheutuva vaara voidaan välttää.
- Älä missään tapauksessa avaa tai vaurioita jäähdytyskiertoa.



HUOMAUTUS! Vahingonvaara

- Pidä kuljetuksen aikana laitteesta kiinni vain laitteen rungosta. Älä koskaan pidä kiinni laitteen absorptioaggregaatista, jäähdytysrivasta, kaasujohdoista, ovesta tai käyttöpaneelistä.
- Älä asenna laitetta avotulen tai muiden lämpölähteiden lähelle (lämmittin, kaasuuunit jne.).

- **Ylikuumenemisvaara!**

Huolehdi aina siitä, käytössä syntyvä lämpö saadaan johdettua riittävän hyvin pois. Huolehdi siitä, että laite on riittävän etäällä seinistä tai esineistä, jotta ilma pääsee kiertämään.

- Vertaa tietolevyn jännitetietoja käytettävissä olevaan energiansyöttöön.
- Liitä laite vain siihen kuuluvalla vaihtovirtaliitännäisjohtolla vaihtovirtapistorasiaan.
- Käytä vain johtoja, joiden poikkipinta-ala on sopiva.
- Koskaan irrota pistoketta pistorasiasta johdosta vetämällä.
- Laitetta ei saa asettaa alttiiksi sateelle.

3 Lisävarusteet

Kuvaus

Taipuisa kaasuputkisto

Tiiviste ilmatiiviiseen asennukseen 1 – 5 mm:n rakoja varten (kuva **9 B**, sivulla 7)

Tiiviste ilmatiiviiseen asennukseen 5 – 10 mm:n rakoja varten (kuva **9 C**, sivulla 7)

Tuuletusritilän LS 200 talvipeite WA 130

Adapterikaapeli

- WAGO – CEE
- WAGO – UK
- WAGO – JST
- WAGO – MATE-N-LOK

Valinnainen tuuletinsarja REF-FANKIT

Valinnainen paristosarja Pack R10-BP itsenäistä kaasukäyttöä varten

Valinnainen säilytyssarja

4 Käyttötarkoitus

Jääkaappi soveltuu seuraaviin:

- asennettavaksi asuntovaunuihin ja matkailuautoihin
- elintarvikkeiden jäädyttämiseen, pakastamiseen ja säilyttämiseen

Jääkaappi ei sovellu seuraaviin:

- lääkkeiden säilyttämiseen
- syövyttävien aineiden tai liuottimia sisältävien aineiden säilyttämiseen
- elintarvikkeiden nopeaan pakastamiseen

Jääkaappi on tarkoitettu asennettavaksi kaapistoon tai asennussyvennykseen.

Tätä jääkaappia ei ole tarkoitettu kotikäyttöön.

Pakastelokerot sopivat pakastettujen elintarvikkeiden säilyttämiseen, jäätelön säilyttämiseen ja valmistamiseen sekä jääkuutioiden valmistamiseen. Laite ei sovellu aiemmin sulatettujen elintarvikkeiden pakastamiseen.

Tämä tuote soveltuu ainoastaan näissä ohjeissa ilmoitettuun käyttötarkoitukseen ja käyttökohteeseen.

Näistä ohjeista saat tuotteen asianmukaiseen asennukseen ja/tai käyttöön tarvittavat tiedot. Väärin tehdyn asennuksen ja/tai väärän käyttötavan tai vääränlaisen huollon seurauksena laite ei toimi tyydyttävästi, ja se saattaa mennä epäkuuntoon.

Valmistaja ei ota vastuuta tapaturmista tai tuotevaurioista, jotka johtuvat seuraavista:

- Väärin tehty asennus tai liitäntä, ylijännite mukaan lukien
- Väärin tehty huolto tai muiden kuin valmistajalta saatavien alkuperäisten varaosien käyttö
- Tuotteeseen ilman valmistajan nimenomaista lupaa tehdyt muutokset
- Käyttö muuhun kuin tässä ohjeessa ilmoitettuun tarkoitukseen

Dometic pidättää itsellään oikeuden muutoksiin tuotteen ulkonäössä ja spesifikaatioissa.

Tämä tuote soveltuu ainoastaan näissä ohjeissa ilmoitettuun käyttötarkoitukseen ja käyttökohteeseen.

Näistä ohjeista saat tuotteen asianmukaiseen asennukseen ja/tai käyttöön tarvittavat tiedot. Väärin tehdyn asennuksen ja/tai väärän käyttötavan tai vääränlaisen huollon seurauksena laite ei toimi tyydyttävästi, ja se saattaa mennä epäkuuntoon.

Valmistaja ei ota vastuuta tapaturmista tai tuotevaurioista, jotka johtuvat seuraavista:

- Väärin tehty asennus tai liitäntä, ylijännite mukaan lukien
- Väärin tehty huolto tai muiden kuin valmistajalta saatavien alkuperäisten varaosien käyttö
- Tuotteeseen ilman valmistajan nimenomaista lupaa tehdyt muutokset
- Käyttö muuhun kuin tässä ohjeessa ilmoitettuun tarkoitukseen

Dometic pidättää itsellään oikeuden muutoksiin tuotteen ulkonäössä ja spesifikaatioissa.

Jääkaapin asennus



HUOMIO! Terveysriski

Jotta laitteen epävakaas ei aiheuttaisi vaaraa, se on kiinnitettävä ohjeiden mukaisesti.



Oven kätsisyyden ja koristelevyn vaihtamista koskevat ohjeet saat verkko-osoitteesta <https://dometic.com/manuals>

4.1 Asennuksen valmistelu



HUOMAUTUS!

- Jääkaappia ei saa asentaa asuntovaunun takaosaan ovi ajosuuntaan päin.
- Varmista turvallinen toiminta käyttämällä ainoastaan Dometicin tuuletusrilöitä.

Noudata jääkaappia asentaessasi seuraavia ohjeita:

- Varmista, että lattia on luja ja suorassa.
Pysäköi ajoneuvo tätä varten vaakasuoraan.
- Varmista, että jääkaappi suorassa.
- Jääkaappi on asennettava siten, että
 - laite on helposti saavutettavissa huoltotöitä varten
 - laite on helppo irrottaa ja asentaa paikalleen
 - laite on helppo poistaa ajoneuvosta
- Jääkaappi täytyy asentaa syvennykseen, jotta se pysyy tukevasti paikallaan ajoneuvon liikkeessä. Noudata tässä mittoja (kuva **1**, sivulla 3 ja kuva **2**, sivulla 4):

	RM10.5(S)(T)	RMS10.5(S)(T)	RMS10.5X(S)(T)
Kylmälaite	Yleismitat mm		
Korkeus (A)	821	821	821
Leveys (B)	523	523	523

	RM 10.5(S)(T)	RMS 10.5(S)(T)	RMS 10.5X(S)(T)
Kylmälaite	Yleismitat mm		
Syvyys (C) (poislukien ohjausnuppi 5 mm)	548	548	603
Syvennys	Mitta mm		
Korkeus (H)	≥829	≥829	≥829
Leveys (W)	≥525,5	≥525,5	≥525,5
Syvyys (D)	≥563	≥563	≥618

- Jääkaappi täytyy asentaa niin, että etäisyys lattiaan on vähintään 5 mm, jotta oven saa varmasti avattua kunnolla (kuva **3**, sivulla 4).
 - Vältä jääkaapin asettamista suoraan lattialle.
 - Varmista, että matto ei häiritse oven liikettä.
- Ulkoseinässä täytyy olla ritilällä peitetty tuuletusaukko (kuva **4** 1, sivulla 4) ja ilmanpoistoaukko (kuva **4** 2, sivulla 4), jotta syntyvä lämpö pääsee poistumaan hyvin ympäristöön:
 - Tuuletusaukko: Asenna tuuletusritilä mahdollisimman tarkasti asennussyvennyksen pohjan tasalle.
 - Ilmanpoistoaukko: mahdollisimman korkealla jääkaapin yläpuolella.
 - Tuuletusaukon ja ilmanpoistoaukon välisen etäisyyden tulee olla vähintään 750 mm mallissa RM10.5 ja 534 mm mallissa RMS10.5 (kuva **5**, sivulla 5).
- Asenna jääkaapin yläpuolelle lämmönohjauslevy (kuva **5** 1, sivulla 5), jotta lämpö ei kerääny ajoneuvoon.
- Jääkaapin ja takaseinän välisen etäisyyden tulee olla vähintään 15 mm ja enintään 25 mm.
- Jos jääkaapin ja peräseinän välinen etäisyys on yli 25 mm, jääkaapin teho heikenee ja energiankulutus kasvaa. Pienennä jääkaapin takana olevaa tyhjää tilaa siten, että riittävä ilmanvaihto on turvattu (kuva **6**, sivulla 5). Käytä tähän tarkoitukseen esimerkiksi ilmanohjauslevyä.

- Jos tuuletusaukon ja ilmanpoistoaukon välistä vähimmäisetäisyyttä ei voida turvata, täytyy ilmanpoistoaukon sijaan asentaa kattotuuletin.
 - Kattotuuletin täytyy asentaa mahdollisuuksien mukaan suoraan jääkaapin taustapuolen yläpuolelle. Käytä ilmakehää (kuva **7** 1, sivulla 6), jos kattotuuletin täytyy asentaa eri kohtaan. Muutoin seurauksena voi olla lämmön kerääntyminen.
 - Tuuletusaukon ja kattoventtiilin välisen etäisyyden täytyy olla vähintään 750 mm mallissa RM10.5 ja 534 mm mallissa RMS10.5 (kuva **7**, sivulla 6).
 - Jos asennettuna on kattoilmastointilaitte, kattotuulettimen (kuva **8** 1, sivulla 7) ja kattoilmastointilaitteen ilmanpoiston (kuva **8** 2, sivulla 7) välisen etäisyyden on oltava vähintään 300 mm.
- Jääkaappia ei saa asentaa tuuletus- ja ilmanpoistoaukkojen sivulle, koska se heikentäisi jääkaapin tehoa ja kasvattaisi energiankulutusta.
- Ajoneuvon osat (esim. avattu ovi tai asennetut lisävarusteet kuten polkupyöräteline) eivät saa peittää tuuletus- ja ilmanpoistoaukkoja käytön aikana.
- Asenna jääkaappi suojaan liian voimakkaalta lämpösäteilyltä, koska se heikentää jääkaapin tehoa ja kasvattaa energiankulutusta.
- Jääkaappi täytyy asentaa ilmatiiviisti.

4.2 Jääkaapin asentaminen ilmatiiviisti



VAROITUS! Palovaara!

Älä käytä ilmatiiviiseen asennukseen mitään helposti syttyviä materiaaleja kuten silikonitiivistysmassoja, asennusvaahtoa tai vastaavaa.

Kaasukäyttöiset jääkaapit täytyy asentaa asuntovaunuihin tai matkailuautoihin vedottomaan ilmatiiviisti. Tämä tarkoittaa, että palamisen tarvitsemää ilmaa ei oteta sisätilasta ja pakokaasujen suora pääsy asuintilaan estetään.

Jääkaapin takaseinän ja ajoneuvon sisätilan väliin täytyy laittaa sopiva tiiviste.

Valmistaja suosittelee joustavan tiivisteiden käyttämistä, jotta irrottaminen ja kiinnittäminen huollon yhteydessä on yksinkertaisempaa.

Valitse jokin kolmesta ilmatiiviiseen asennuksen mahdollistavasta asennustavasta (kuva **9**, sivulla 8):

Pysäytintanko jääkaapin takana (A)

1. Liimaa joustava tiivistysshuuli **(1)** pysäytintankoon **(2)** jääkaapin **(3)** takana.
2. Työnnä jääkaappi-uuni-yhdistelmä joustavilla tiivistehuulilla varustettua pysäytintankoa vasten.

- ✓ Jääkaapin taakse jäävä tila on tiivistetty ajoneuvon sisätilan suhteen.

Enintään 5 mm:n sivuttainen rako jääkaapin ja kalusteen välillä (B)

1. Liimaa tiivistehuulet (ks. kap. "Lisävarusteet" sivulla 195) kalusteen (4) sivulle.
 2. Paina jääkaappi-uuni-yhdistelmä kalusteeseen kiinnitettyjä joustavia tiivistehuulia vasten.
- ✓ Jääkaapin taakse jäävä tila on tiivistetty ajoneuvon sisätilan suhteen.

Sivuttainen rako 5 mm – 10 mm jääkaapin ja kalusteen välillä (C)

1. Liimaa kaksihuulinen tiiviste (ks. kap. "Lisävarusteet" sivulla 195) kalusteen (4) sivulle.
 2. Paina jääkaappi-uuni-yhdistelmä kalusteeseen kiinnitettyä kaksihuulista tiivistettä vasten.
- ✓ Jääkaapin taakse jäävä tila on tiivistetty ajoneuvon sisätilan suhteen.

4.3 Tuuletus- ja ilmanpoistoaukkojen tekeminen



OHJE

- Valmistajan hyväksyntä on välttämätön, jos tässä esitetyistä tuuletus- ja ilmanpoistoaukkojen versioista halutaan poiketa.
- Kun ympäristön lämpötila on korkea, jääkaappi saavuttaa maksimijäähdytystehonsa vain, jos optimaalisesta tuuletuksesta ja ilmanpoistosta on huolehdittu.

- Tee ulkoseinään tuuletus- ja ilmanpoistoaukot, joiden koko on 451 mm x 156 mm.

Noudata tässä ohjeita, katso kap. "Asennuksen valmistelu" sivulla 197.

Tee lattiaan tuuletusaukko, jos tuuletusaukon tuuletusritilän reunaa ei voida asentaa asennussyvennyksen lattian tasolle. Mahdollisesti vuotava kaasu pääsee näin virtaamaan alaspäin.

1. Tee jääkaapin taakse kaasupolttimen alueelle lattiaan tuuletusaukko (kuva **10** 1, sivulla 9), jonka halkaisija on vähintään 40 mm.
2. Suojaa aukko ulkopuolelta päitekappaleella, jotta kuraa tai likaa ei pääse sisään ajon aikana (kuva **10** 2, sivulla 9).

Jos on käytettävä ilmanpoistoaukon sijaan kattotuuletinta:

- valmista kattoon kehysaukko. Katso tarvittavat mitat kattotuulettimen käyttöohjeesta.
Noudata tällöin asiaankuuluvia ohjeita, katso kap. "Asennuksen valmistelu" sivulla 197.

4.4 Tuuletusritilän asennus



OHJE

Varmista turvallinen toiminta käyttämällä ainoastaan Dometicin tuuletusritilöitä.

Kohta – kuva 11 , sivulla 9	Kuvaus
1	Asennuskehys
2	Tuuletusritilä
3	Luistit
4	Tuuletusritilän talvipeite (lisävaruste)
5	Adapteri kondenssiveden poistoletkulle

1. Tiivistä asennuskehys siten, että liitäntä on vesitiivis (kuva **12**, sivulla 9).
2. Aseta asennuskehys paikalleen ja ruuvaa se tiukasti kiinni (kuva **13**, sivulla 9). Käytä tähän tarkoitukseen kaikkia kiinnitysreikiä.
3. Asenna letkuadapteri esitetyllä tavalla (kuva **14** 1, sivulla 10).
4. Työnnä tuuletusritilä paikalleen kuvan osoittamalla tavalla (kuva **15**, sivulla 10).

4.5 Kondenssiveden poistoletkun asentaminen



OHJE

- Kondenssivettä voi muodostua jääkaapin sisälle, jos jääkaapin ovi avataan usein tai jos elintarvikkeet sijoitetaan väärin tai liian lämpiminä jääkaappiin.
- Kondenssiveden poistoletku on asennettava siten, että letku kulkee jatkuvasti laskusuunnassa.

Asenna kondenssiveden poistoletku seuraavasti:

- Yhdistä kondenssiveden poistoletku suoraan tuuletusritilässä olevaan adapteriin (kuva **14** 2, sivulla 10).

4.6 Kattotuulettimen asennus

Kohta – kuva 16 , sivulla 10	Kuvaus
1	Kansi
2	Asennuskehys

1. Tiivistä asennuskehys siten, että liitäntä on vesitiivis (kuva **17**, sivulla 10).
2. Aseta asennuskehys paikalleen ja ruuvaa se tiukasti kiinni (kuva **18**, sivulla 11). Käytä tähän tarkoitukseen kaikkia kiinnitysreikiä.
3. Aseta kansi paikalleen ja ruuvaa se kiinni (kuva **19**, sivulla 11).

4.7 Jääkaapin kiinnittäminen



HUOMIO!

Kierrä ruuvit aina tarkoitusta varattujen holkkien läpi. Muutoin vaahdon ympäröimät rakenneosat (kuten johdot) voivat vaurioitua.



OHJE

Kiinnitä sivuseinät tai paikoilleen asetetut listat siten, että ruuvit pysyvät tiukalla kovassakin kuormituksessa (ajon aikana).

1. Siirrä jääkaappi lopulliseen sijoituspaikkaansa.
2. Kierrä ruuvit (kuva **20** 1, sivulla 11) muoviholkkien läpi jääkaapin sivuseiniin ja edelleen syvennyksen seinään.
3. Asenna peitekannet (kuva **20** 2, sivulla 11) ruuvien kantoihin.

5 Jääkaapin liittäminen

5.1 Liittäminen kaasunsyöttöön



VAROITUS! Näiden varoitusten noudattamatta jättäminen voi johtaa kuolemaan tai vakavaan vammaan. Terveysvaara

- Ainoastaan ammattilainen saa liittää jääkaapin kaasunsyöttöön, ja voimassa olevia kansallisia määräyksiä ja normeja on noudatettava.
- Letkuliitääntä **ei saa** käyttää.
- Käytä metalliiviusteella varustettua ruuviliitääntä.
- Jääkaapin kaasuliitännän (valkoista) kaasunsuodatinta ei saa irrottaa.
- Käytä vain propaani- tai butaanikaasupulloja (ei maakaasua tai kaupunkikaasua), joissa on tarkastettu paineenalennusventtiili ja sopiva pääkappale. Vertaa tyyppikilven painetietoja propaani- tai butaanikaasupullon paineensäätimen painetietoihin.
- Jääkaappia saa käyttää **vain** tyyppikilvessä mainitulla paineella.
- Jääkaappia saa käyttää **vain** tyyppikilvessä mainitun kaasun avulla.
- Ota huomioon omassa maassasi sallitut paineet. Käytä vain kiinteästi säädettyjä paineensäätimiä, jotka vastaavat kansallisia määräyksiä.



OHJE

Voit käyttää myös valinnaisena varusteena saatavaa Dometicin taipuisaa kaasuputkea, jonka ansiosta asennukseen ei muodostu jännitteitä.

Jääkaappi tulee voida sulkea erikseen kaasujohdossa olevalla sulkulaitteella. Sulku-laitteen tulee olla helposti tavoitettavissa.

1. Yhdistä jääkaappi tiukasti käsin kaasunsyöttöön (kuva **21**, sivulla 11).



VAROITUS! Räjähdyksivaara

On erittäin tärkeää, että noudat seuraavia kiristysmomenteja:

Kohta – kuva **21, sivulla 11 Kuvaus**

1	Ruuvi M4 (Torx TX20), Kiristystiukkuus: 2 Nm
2	Jääkaapin kaasuliitääntä: M14 x 1,5 (d = 8 mm/ISO 8434 (DIN 2353))
3	Liitosmutterilla varustettu kaasuputki (koko 17), Kiristystiukkuus: 25 Nm

2. Teetä asianmukaisen asennuksen jälkeen vuoto- ja liekkitestit valtuutetulla ammattihenkilöllä.

Varmista, että sinulle annetaan tarkastustodistus ja luovuta todistus loppukäyttäjän säilytettäväksi.

5.2 Yhdistäminen tasa- ja vaihtovirtalähteeseen



VAROITUS! Näiden varoitusten noudattamatta jättäminen voi johtaa kuolemaan tai vakavaan vammaan. Sähköiskun vaara

Sähköasennuksen ja korjaustyöt saa tehdä ainoastaan ammattilainen, ja voimassa olevia kansallisia määräyksiä ja normeja on noudatettava.



OHJE

- Laitteen pistoketta ei saa sijoittaa suoraan tuuletusrilän taakse, jotta ilmanvaihto ei heikkene eikä laitteen pistoke altistu vesiroiskeille.
- Vaihtovirtaliitäntäjohdon pistoketta ei saa leikata irti.
- Liitäntäjohdot täytyy vetää niin, että ne eivät joudu kosketuksiin kylmäkoneiston/polttimen kuumien osien taikka terävien reunojen kanssa.
- Jos sisäiseen sähköasennukseen tehdään muutoksia tai jos jääkaapin sisäiseen johdotukseen liitetään muita sähkökomponentteja (esim. toisen valmistajan lisätuuletin), mitään takuun ja tuotevastuun perusteella esitettäviä vaatimuksia ei hyväksytä.
- Jääkaapit RM 10.5 ja RMS 10.5 on varustettu CI-väyläliitännällä, minkä ansiosta laitetta voi valvoa ajoneuvon yhteensopivan keskusnäytön avulla.

Jääkaapin kytkentäkaavio (kuva 22, sivulla 12)

Kohta – kuva 22, sivulla 12	Kuvaus
1	Tuuletin 1 (jos valintamoduuli on käytettävissä)
2	Valintamoduuli (valinnainen)
3	Uunin tasavirtaliitäntä (jos valintamoduuli on käytettävissä)
4	Tehomoduulin tasavirtaliitäntä
5	NTC 2: Ulkolämpötila (valinnaisesti)
6	NTC 1: Tuoreruoan lämpötila-anturi
7	Kaasuventtiili

Kohta – kuva 22 , sivulla 12	Kuvaus
8	Valaisin
9	Magneettikytkin
10	S+ (valinnaisesti)
11	Tasavirtalämpövastus
12	15 A sulake
13	Tasavirtarele lämmityspatruunalle
14	Tulo, kaasu
15	Tasavirran liitäntälohko
16	Elektroniikan tasavirtasyöttöjohto
17	Lämmityselementin tasavirtasyöttöjohto
18	CI-väyläliitäntä
19	Vaihtovirtaliitäntä
20	Vaihtovirtalämpövastus
21	Maa
22	Vaihtovirran suojamaa
23	Sytytys elektrodi
24	Tehonsyöttömoduuli
25	Näyttömoduuli

Tasavirta



VAROITUS! Palovaara

- Lämmityselementtiin vievän syöttöjohtimen täytyy olla suojattu 15 A:n sulakkeella.
- Elektroniikkaan vievän syöttöjohtimen täytyy olla suojattu 2 A:n sulakkeella.



HUOMAUTUS!

Elektroniikan (kuva **22** 16, sivulla 12) ja lämmityselementin (kuva **22** 17, sivulla 12) tasavirtaliitäntöjen plus- ja miinussyöttöjohtimia **ei** saa yhdistää keskenään. Virransyöttöön ei saa tällöin myöskään käyttää yhtä yhteistä syöttöjohtinta. Muutoin seurauksena voi olla sähköisiä häiriöitä tai sähköisten rakenneosien vaurioituminen.

Noudata seuraavia johdon poikkipinta-aloja (kuva **23**, sivulla 14):

- Lämmityselementin liitännät:
 - < 6 m (sisällä): $\geq 6 \text{ mm}^2$
 - > 6 m (sisällä): $\geq 10 \text{ mm}^2$
 - Vetoaisan kautta viety johto (vain asuntovaunut): $\geq 2,5 \text{ mm}^2$
 - Liitokset elektroniikka: $\geq 0,75 \text{ mm}^2$
 - Liitokset D+ ja S+: $\geq 0,75 \text{ mm}^2$
1. Asenna tasavirtapistorasias seuraavasti (kuva **22**, sivulla 12):
 - Yhdistä **A** ja **C** akun plusnapaan.
 - Yhdistä **D** ja **F** maahan.
 - Yhdistä **B** D+ -signaaliin.
 Jääkaapin elektroniikka käyttää laturin D+-signaalia käynnissä olevan ajoneuvon käynnissä olevan moottorin tunnistamiseen. Automaattisessa toimintatilassa jääkaappi valitsee edullisimman käytettävissä olevan käyttötavan. Jääkaappi toimii vain tasavirralla, kun ajoneuvon moottori on käynnissä.
 - Yhdistä **E** CI-BUS-väylään.
 2. Yhdistä **10** signaaliin "S+" (valinnaisesti).
 3. Suojaa syöttöjohto **A** asentamalla 2 A:n sulake ajoneuvon sähkökeskukseen.
 4. Suojaa syöttöjohto **C** asentamalla 15 A:n sulake ajoneuvon sähkökeskukseen.
 5. Vie syöttöjohto **C** sytytysvirran ohjaaman releen kautta.
 Näin akku ei purkaudu kokonaan, mikäli moottori jostain syystä sammuu.

Vaihtovirta

- Yhdistä jääkaappi vaihtovirtapistorasiasaan laitteen pistoketta käyttäen.

6 Hävittäminen

Kiinteästi asennettuja akkuja, ladattavia akkuparistoja ja valonlähteitä sisältävien tuotteiden kierrätys



- Jos tuotteessa on kiinteästi asennettuja akkuja, ladattavia akkuparistoja tai valonlähteitä, niitä ei tarvitse poistaa ennen tuotteen hävittämistä.
- Jos haluat poistaa tuotteen lopullisesti käytöstä, tiedustele yksityiskohtaisia hävittämistä koskevia ohjeita ja määräyksiä lähimmästä kierrätyskeskuksesta tai erikoisliikkeestä.
- Tuotteen voi hävittää veloitusetta.






Pakkausmateriaalin kierrätys



- Vie pakkausmateriaalit mahdollisuuksien mukaan niille tarkoitettuihin kierrätysjäteastioihin.

7 Tekniset tiedot

	RM10.5(S)(T)	RMS10.5(S)(T)	RMS10.5X(S)(T)
Liitäntäjännite:	230 V~ /50 Hz 12 V==		
Tilavuus			
Bruttotilavuus:	88 l	78 l	92 l
Kylmälokero:	78,7 l	69,1 l	80,3 l
Pakastelokero:	9,2 l	9,2 l	12,1 l
Nettotilavuus yhteensä:	86 l	76 l	90 l
Ilman pakastelokeroa			
Bruttotilavuus:	93 l	83 l	98 l
Nettotilavuus:	91 l	81 l	96 l
Ottoteho:	135 W (230 V~) 130 W (12 V==)		
Energiankulutus:	2,8 kWh/24 h (230 V~)	2,5 kWh/24 h (230 V~)	3,2 kWh/24 h (230 V~)
Kaasunkulutus:	270 g/24 h		
Kaasun liitäntäpaine:	30 mbar		
Ilmastoluokka:	SN		

	RM10.5(S)(T)	RMS10.5(S)(T)	RMS10.5X(S)(T)
Mitat K x L x S:	821 x 523 x 548 mm		821 x 523 x 603 mm
Paino:	28 kg	27,4 kg	29 kg
Tarkastus/sertifikaatti:	  		

Laitteesi ajan tasalla olevan EU-vaatimustenmukaisuusvakuutuksen löydät vastaavalta tuotesivulta osoitteesta dometic.com. Voit myös pyytää asiakirjan suoraan valmistajalta (katso dometic.com/dealer).

Lisää tuotetietoja saat tuotteessa olevan energiamerkin QR-koodin kautta tai osoitteesta eprel.ec.europa.eu.

Пожалуйста, внимательно прочтите и соблюдайте все указания, рекомендации и предупреждения, содержащиеся в этом руководстве по использованию изделия, чтобы гарантировать правильную установку, использование и обслуживание изделия. Эта инструкция ДОЛЖНА оставаться вместе с этим изделием.

Используя изделие, вы тем самым подтверждаете, что внимательно прочитали все указания, рекомендации и предупреждения, а также, что вы понимаете и соглашаетесь соблюдать положения и условия, изложенные в настоящем документе. Вы соглашаетесь использовать это изделие только по прямому назначению и в соответствии с указаниями, рекомендациями и предупреждениями, изложенными в данном руководстве по использованию изделия, а также в соответствии со всеми применимыми законами и правилами. Несоблюдение указаний и предупреждений, изложенных в данном документе может привести к травмам вас и других лиц, повреждению вашего изделия или повреждению другого имущества, находящегося поблизости. Данное руководство по использованию изделия, включая указания, рекомендации и предупреждения, а также сопутствующую документацию, может подвергаться изменениям и обновлениям. Актуальную информацию о продукте можно найти на сайте documents.dometic.com, dometic.com.



Подробную инструкцию по эксплуатации и информацию о технических характеристиках вы найдете в Интернете по адресу

https://documents.dometic.com/?object_id=69924

Оглавление

1	Пояснение к символам	210
2	Указания по технике безопасности	211
3	Аксессуары	214
4	Использование по назначению	214
5	Подключение холодильника	222
6	Утилизация	226
7	Технические характеристики	227

1 Пояснение к символам



ПРЕДУПРЕЖДЕНИЕ!

Указание по технике безопасности: Указывает на опасную ситуацию, которая, если ее не избежать, может привести к смерти или серьезным травмам.



ОСТОРОЖНО!

Указание по технике безопасности: Указывает на опасную ситуацию, которая, если ее не избежать, может привести к травмам легкой или средней степени тяжести.

**ВНИМАНИЕ!**

Указывает на ситуацию, которая, если ее не избежать, может привести к материальному ущербу.

**УКАЗАНИЕ**

Дополнительная информация о работе с устройством.

2 Указания по технике безопасности

**ПРЕДУПРЕЖДЕНИЕ! Несоблюдение этих предупреждений может привести к смерти или серьезной травме.****Опасность поражения электрическим током**

- Монтаж и демонтаж холодильника могут выполняться только квалифицированным персоналом.
- Ремонт холодильника разрешается выполнять только специалистам. Неправильно выполненный ремонт может привести к серьезной опасности или повреждению холодильника.
- Чтобы не допустить возникновения опасных ситуаций, заменить поврежденный питающий кабель у изготовителя, в отделе обслуживания клиентов или у специалиста с аналогичной квалификацией.
- При установке холодильника шнур питания не должен быть зажат или поврежден.
- Не размещайте позади холодильника переносные сетевые удлинители или переносные блоки питания.
- Подключайте устройство к розеткам, которые обеспечивают правильное подключение, особенно когда устройство необходимо заземлить.

Опасность взрыва

- Запрещается открывать холодильный агрегат. При открывании присутствует опасность получения травм из-за высокого давления внутри холодильного агрегата.
- Не храните в холодильнике взрывоопасные вещества, например, аэрозольные баллоны с горючим газами-вытеснителями.

- Разрешается эксплуатировать устройство **только** с давлением, указанным на заводской табличке. Разрешается использовать стационарный регулятор давления, отвечающий требованиям национальных регламентов (в Европе — EN 12864).

Опасность возникновения пожара

- После нанесения силиконового герметика очистите место нанесения и удалите остатки герметика. Возможно воспламенение силиконовых волокон при контакте с горячими частями и открытым пламенем.
- Не используйте для проверки протечек на устройстве открытые источники пламени.
- Используйте только пропан или бутан (**не** природный газ).
- Хладагент в холодильном контуре легко воспламеняется, и в случае утечки могут образоваться горючие газы, если прибор расположен в небольшом помещении.
В случае повреждения холодильного контура (запах аммиака):
 - Располагайте холодильник вдали от открытого огня и потенциальных источников возгорания.
 - Хорошо вентилируйте помещение.
 - Выключите холодильник.

Опасность для здоровья

- Запрещается эксплуатировать устройство, если оно имеет видимые повреждения.
- Чтобы не допустить возникновения опасных ситуаций, заменить поврежденный кабель переменного тока у изготовителя, в сервисном центре или у специалиста с аналогичной квалификацией.

Опасность попадания ребенка внутрь устройства

- Убедитесь, что полки холодильника установлены и зафиксированы, чтобы дети не могли в нем запереться.
- Перед утилизацией старого холодильника:
 - Демонтируйте ящики.
 - Оставьте полки в холодильнике, чтобы в него не могли войти дети.



ОСТОРОЖНО! Несоблюдение этих предостережений может привести к травме легкой или средней степени тяжести.

Опасность поражения электрическим током

- Перед включением убедитесь, что питающий кабель и штекер сухие.

Опасность сдавливания

- Не беритесь за петлю.

Опасность для здоровья

- Во избежание опасности из-за неустойчивости холодильника его необходимо закрепить в соответствии с инструкциями по монтажу.
- Категорически запрещается вскрывать или повреждать холодильный контур.



ВНИМАНИЕ! Риск повреждения

- При транспортировке держите устройство только за корпус. Ни в коем случае не держаться за абсорбирующий агрегат, охлаждающие ребра, газовые трубы, двери или панель управления.
- Не устанавливайте устройство вблизи открытого огня или других источников тепла (радиаторов отопления, газовых печей и т. п.).
- **Опасность перегрева!**
Следите за тем, чтобы ничто не препятствовало отводу тепловой энергии, образующейся во время работы холодильника. Следите за тем, чтобы устройство располагалось на достаточном расстоянии от стен или других предметов и ничто не препятствовало циркуляции воздуха.
- Убедитесь, что значения напряжения, указанные на заводской табличке, соответствуют характеристикам имеющегося источника питания.
- Для подключения прибора к сети переменного тока используйте только прилагаемый кабель питания.
- Используйте только кабель подходящего сечения.
- Не вытаскивайте вилку из розетки за питающий кабель.
- Не допускать попадания на прибор дождя.

3 Аксессуары

Наименование

Гибкая газовая труба

Уплотнение для устранения сквозняков при монтаже с зазорами 1 – 5 мм (рис. **9 В**, стр. 7)

Уплотнение для устранения сквозняков при монтаже с зазорами 5 – 10 мм (рис. **9 С**, стр. 7)

Зимняя крышка WA 130 на вентиляционную решетку LS 200

Переходной кабель

- WAGO на CEE
- WAGO на UK
- WAGO на JST
- WAGO на MATE-N-LOK

Дополнительный вентиляционный комплект REF-FANKIT

Дополнительный комплект аккумуляторов R10-BP для автономной эксплуатации от источника газоснабжения

Дополнительный комплект для хранения

4 Использование по назначению

Холодильник предназначен для:

- установки в автофургонах и жилых транспортных средствах
- охлаждения, заморозки и хранения продуктов питания

Холодильник не предназначен для:

- хранения лекарственных средств
- хранения агрессивных веществ или веществ, которые содержат растворители
- быстрой заморозки продуктов питания

Холодильник предназначен для установки в шкафу или в монтажной нише.

Этот холодильник не предназначен для использования в домашнем хозяйстве.

Камера для замороженных продуктов пригодна для хранения предварительно замороженных продуктов, хранения или приготовления мороженого и приготовления кубиков льда. Она не пригодна для замораживания ранее размороженной еды.

Это изделие подходит только для использования по назначению и применения в соответствии с данной инструкцией.

В данной инструкции содержится информация, необходимая для правильного монтажа и/или эксплуатации изделия. Неправильный монтаж и/или ненадлежащая эксплуатация или техническое обслуживание приводят к неудовлетворительной работе и возможному отказу.

Изготовитель не несет ответственности за какие-либо травмы или повреждение продукта в результате следующих причин:

- Неправильная сборка или подключение, включая повышенное напряжение
- Неправильное техническое обслуживание или использование запасных частей, отличных от оригинальных запасных частей, предоставленных изготовителем
- Изменения в продукте, выполненные без однозначного разрешения изготовителя
- Использование в целях, отличных от указанных в данной инструкции

Компания Dometic оставляет за собой право изменять внешний вид и технические характеристики продукта.

Это изделие подходит только для использования по назначению и применения в соответствии с данной инструкцией.

В данной инструкции содержится информация, необходимая для правильного монтажа и/или эксплуатации изделия. Неправильный монтаж и/или ненадлежащая эксплуатация или техническое обслуживание приводят к неудовлетворительной работе и возможному отказу.

Изготовитель не несет ответственности за какие-либо травмы или повреждение продукта в результате следующих причин:

- Неправильная сборка или подключение, включая повышенное напряжение
- Неправильное техническое обслуживание или использование запасных частей, отличных от оригинальных запасных частей, предоставленных изготовителем
- Изменения в продукте, выполненные без однозначного разрешения изготовителя
- Использование в целях, отличных от указанных в данной инструкции

Компания Dometic оставляет за собой право изменять внешний вид и технические характеристики продукта.

Монтаж холодильника

**ОСТОРОЖНО! Опасность для здоровья**

Во избежание опасности из-за неустойчивости устройства оно должно быть закреплено в соответствии с инструкциями.



Инструкции по установке фиксатора двери и декоративной панели на дверь можно найти по адресу
<https://dometic.com/manuals>

4.1 Подготовка к монтажу

**ВНИМАНИЕ!**

- Запрещается устанавливать холодильник с дверцей, обращенной в направлении движения, в задней части жилого автофургона.
- Для обеспечения безопасной эксплуатации используйте только оригинальные вентиляционные решетки Dometic.

При монтаже холодильника соблюдайте следующие требования:

- Убедитесь в прочности и ровности пола.
Для этой цели установите автомобиль на горизонтальной поверхности.
- Убедитесь в том, что холодильник расположен горизонтально.
- Холодильник должен быть установлен так,
 - чтобы имелся доступ для проведения сервисных работ,
 - чтобы его можно было снять и установить,
 - его можно было вынести из транспортного средства.
- Холодильник следует установить в нише для того, чтобы он стоял неподвижно при движении автомобиля. При размещении необходимо учитывать размеры (рис. **1**, стр. 3 и рис. **2**, стр. 4):

	RM10.5(S)(T)	RMS10.5(S)(T)	RMS10.5X(S)(T)
Охладитель	Габаритный размер (в мм)		
Высота (А)	821	821	821
Ширина (В)	523	523	523
Глубина (С) (исключая ручку управления 5 мм)	548	548	603

	RM 10.5(S)(T)	RMS 10.5(S)(T)	RMS 10.5X(S)(T)
Охладитель	Габаритный размер (в мм)		
Проем	Размер (в мм)		
Высота (H)	≥829	≥829	≥829
Ширина (W)	≥525,5	≥525,5	≥525,5
Глубина (D)	≥563	≥563	≥618

- Холодильник должен быть установлен на расстоянии не менее 5 мм от пола, чтобы обеспечить правильное открывание дверцы (рис. **3**, стр. 4).
 - Избегайте установки холодильника непосредственно на пол.
 - Убедитесь, что ковры не мешают свободному движению дверцы.
- Во внешней стенке должно быть предусмотрено приточное (рис. **4** 1, стр. 4) и вытяжное вентиляционное отверстие (рис. **4** 2, стр. 4) с вентиляционными решетками для эффективного отвода тепла наружу:
 - Приточное вентиляционное отверстие: Установите вентиляционную решетку вровень с основанием монтажной ниши.
 - Вытяжное вентиляционное отверстие: как можно выше над холодильником.
 - Расстояние между приточным и вытяжным вентиляционными отверстиями должно составлять не менее 750 мм для RM10.5 и 534 мм для RMS10.5 (рис. **5**, стр. 5).
- Над холодильником установите теплоотводный щиток (рис. **5** 1, стр. 5), чтобы тепло не скапливалось в автомобиле.
- Расстояние между холодильником и задней стенкой должно быть не менее 15 мм и не более 25 мм.
- Если расстояние между холодильником и стенкой составляет более 25 мм, производительность холодильника падает и увеличивается расход энергии. Чтобы обеспечить эффективную приточную и вытяжную вентиляцию, уменьшите расстояние между холодильником и задней стенкой ниши (рис. **6**, стр. 5). Используйте для этого обтекатель.

- Если не удастся обеспечить минимальное расстояние между отверстиями для приточной и вытяжной вентиляции, вместо вытяжного отверстия следует использовать накрывной вентилятор.
 - Накрывной вентилятор должен по возможности находиться позади холодильника. Если накрывной вентилятор находится в другом месте, используйте воздушный канал (рис. **7** 1, стр. 6), в противном случае возможно аккумулялирование тепла.
 - Расстояние между приточным вентиляционным отверстием и накрывным вентилятором должно составлять не менее 750 мм для RM10.5 и 534 мм для RMS10.5 (рис. **7**, стр. 6).
 - Если в крыше установлен кондиционер, расстояние между накрывным вентилятором (рис. **8** 1, стр. 7) и отверстием для выпуска воздуха кондиционера (рис. **8** 2, стр. 7) должно составлять не менее 300 мм.
- Нельзя устанавливать холодильник сбоку приточного и вытяжного отверстия, так как это приводит к ухудшению производительности и увеличению расхода энергии.
- Следите за тем, чтобы во время работы прибора части машины (например, открытая дверь или дополнительное снаряжение, такое как держатель для велосипедов) не закрывали отверстия приточной и вытяжной вентиляции.
- При установке защитите холодильник от избыточного теплового излучения, так как в противном случае возможно падение производительности и увеличение энергопотребления.
- Холодильник должен быть установлен в месте, защищенном от сквозняков.

4.2 Воздухонепроницаемый монтаж холодильника



ПРЕДУПРЕЖДЕНИЕ! Опасность возникновения пожара!

Запрещается использовать для изолирования холодильника, работающего на газе, легко воспламеняемые материалы, как, например, силиконовые герметики, монтажную пену или им подобные.

В жилых прицепах или автодомах холодильники, работающие на газу, должны устанавливаться в месте, защищенном от сквозняков. Это означает, что для сжигания не должен использоваться воздух внутреннего помещения, а продукты горения не должны попадать внутрь жилой зоны.

Между задней стенкой холодильника и внутренней камерой автомобиля должно быть предусмотрено подходящее уплотнение.

Чтобы упростить снятие и установку холодильника и проведение сервисных работ, изготовитель рекомендует использовать гибкое уплотнение.

Выберите один из трех вариантов воздухо непроницаемого монтажа (рис. **9**, стр. 8):

Упорная планка позади холодильника (А)

1. Приклейте эластичную уплотняющую кромку (**1**) к упорной планке (**2**) позади холодильника (**3**).
 2. Придвиньте холодильник с духовкой к упорной планке с приклеенными уплотнительными кромками.
- ✓ Пространство позади холодильника изолировано от внутреннего помещения транспортного средства.

Боковой зазор между холодильником и мебелью — до 5 мм (В)

1. Приклейте уплотнительные кромки (см. гл. «Аксессуары» на стр. 214) на боковую часть предмета мебели (**4**).
 2. Придвиньте холодильник с духовкой к эластичным уплотняющим кромкам на мебели.
- ✓ Пространство позади холодильника изолировано от внутреннего помещения транспортного средства.

Боковой зазор между холодильником и мебелью — от 5 мм до 10 мм (С)

1. Приклейте двойные уплотнительные кромки (см. гл. «Аксессуары» на стр. 214) на боковую часть предмета мебели (**4**).
 2. Придвиньте холодильник с духовкой к двойным эластичным уплотняющим кромкам на мебели.
- ✓ Пространство позади холодильника изолировано от внутреннего помещения транспортного средства.

4.3 Подготовка отверстий для приточной и вытяжной вентиляции



УКАЗАНИЕ

- Варианты приточной и вытяжной вентиляции, которые отличаются от описываемых, должны быть одобрены изготовителем.
- Чтобы обеспечить максимальную холодопроизводительность в условиях высокой окружающей температуры, необходимо правильно расположить отверстия для приточной и вытяжной вентиляции.

- ▶ Сделайте одно приточное и одно вытяжное вентиляционное отверстие в наружной стене размером 451 мм x156 мм.

При этом соблюдайте указания, приведенные в гл. «Подготовка к монтажу» на стр. 216.

Если вентиляционную решетку приточного отверстия невозможно установить вровень с основанием монтажной ниши, то сделайте приточное отверстие в полу. Утечка газа может производиться в направлении вниз.

1. Сделайте в полу приточное вентиляционное отверстие размером не менее \varnothing 40 мм, расположив его за холодильником рядом с газовой горелкой (рис. **10** 1, стр. 9).
2. Закройте конец отверстия дефлектором, чтобы во время движения в отверстие не попадала грязь(рис. **10** 2, стр. 9).

Если вместо вытяжного отверстия используется накрывной вентилятор:

- ▶ сделайте отверстие в крыше. Размеры отверстия указаны в руководстве, прилагаемом к накрывному вентилятору.

При этом соблюдайте указания, приведенные в гл. «Подготовка к монтажу» на стр. 216.

4.4 Установка вентиляционной решетки



УКАЗАНИЕ

Для обеспечения безопасной эксплуатации используйте только оригинальные вентиляционные решетки Dometic.

Поз. на рис. 11 , стр. 9	Наименование
1	Монтажная рама
2	Вентиляционная решетка
3	Задвижки
4	Зимняя крышка на вентиляционную решетку (принадлежность)
5	Переходник для шланга слива конденсата

1. Уплотните монтажную раму, чтобы сделать соединение водонепроницаемым (рис. **12**, стр. 9).

- Установите монтажную раму и надежно закрепите ее винтами (рис. **13**, стр. 9). Для этого используйте все крепежные отверстия.
- Установите шланговый переходник, как показано на рисунке (рис. **14** 1, стр. 10).
- Вставьте вентиляционную решетку, как показано на схеме (рис. **15**, стр. 10).

4.5 Монтаж линии слива конденсата



УКАЗАНИЕ

- Конденсат может образовываться внутри холодильника из-за частого открывания дверцы, неправильного хранения продуктов или наличия внутри холодильника теплых продуктов.
- Для слива конденсата необходимо обеспечить постоянный уклон.

Установите линию слива конденсата следующим образом:

- ▶ Присоедините шланг для слива конденсата прямо к переходнику на вентиляционной решетке (рис. **14** 2, стр. 10).

4.6 Монтаж накрывного вентилятора

Поз. на рис. 16 , стр. 10	Наименование
1	Крышка
2	Монтажная рама

- Уплотните монтажную раму, чтобы сделать соединение водонепроницаемым (рис. **17**, стр. 10).
- Установите монтажную раму и надежно закрепите ее винтами (рис. **18**, стр. 11). Для этого используйте все крепежные отверстия.
- Наденьте крышку и закрепите ее винтами (рис. **19**, стр. 11).

4.7 Крепление холодильника



ОСТОРОЖНО!

Чтобы не повредить элементы, покрытые пеной (например, кабели или трубы), используйте только прилагаемые винты.

**УКАЗАНИЕ**

Закрепите боковые стенки или планки так, чтобы резьбовые соединения не ослабли при повышенных нагрузках (например, во время движения транспортного средства).

1. Перенесите холодильник на место монтажа.
2. Ввинтите винты (рис. **20** 1, стр. 11) в боковые стенки, а потом в стенки ниши холодильника через пластиковую оболочку.
3. Закройте головки винтов заглушками (рис. **20** 2, стр. 11).

5 Подключение холодильника

5.1 Подключение к системе газоснабжения



ПРЕДУПРЕЖДЕНИЕ! Несоблюдение этих предупреждений может привести к смерти или серьезной травме. Опасность для здоровья

- Холодильник должен быть подключен к системе газоснабжения специалистом согласно действующим в стране применения предписаниям и нормам.
- **Запрещается** использовать для подключения шланг.
- Используйте резьбовое соединение с металлическим уплотнением.
- Запрещается снимать газовый фильтр (белого цвета) в линии газоснабжения холодильника.
- Используйте только баллоны с пропаном или бутаном (не природный и не бытовой газ) с проверенным редукционным вентилем и подходящим наконечником. Сравните параметры давления на заводской табличке с параметрами давления на регуляторе баллона с пропаном или бутаном.
- Разрешается эксплуатировать холодильник **только** с давлением, указанным на заводской табличке.
- Разрешается эксплуатировать холодильник **только** с типом газа, указанным на заводской табличке.
- Учитывайте нормы на давление, действующие в вашей стране. Разрешается использовать стационарный регулятор давления, отвечающий требованиям национальных регламентов.

**УКАЗАНИЕ**

Можно использовать гибкую нерастяжимую газовую арматуру (опция).

Установите запорное устройство, отсоединяющее холодильник от газопровода. Запорное устройство должно быть установлено в доступном месте.

1. Подсоедините холодильник к системе газоснабжения и убедитесь, что штуцер подсоединен надежно и на нем отсутствуют нагрузки (рис. 21, стр. 11).

**ПРЕДУПРЕЖДЕНИЕ! Опасность взрыва**

Очень важно соблюдать следующие моменты затяжки:

Позиция на рис. 21, стр. 11	Наименование
1	Винт М4 (Торх TX20), Момент затяжки: 2 Нм
2	Линия подвода газа к холодильнику: M14 x 1,5 (d = 8 мм/ISO 8434 (DIN 2353))
3	Газовая труба с фланцевым соединением (разм. 17), Момент затяжки: 25 Нм

2. После профессионально выполненного монтажа обратитесь к авторизованным службам, чтобы проверить правильность установки и эффективность изоляции, а также выполнить испытания на воспламеняемость.
Результаты проверки должны быть отражены в протоколе проверки, который должен храниться у лица, эксплуатирующего оборудование.

5.2 Подключение к системе постоянного и переменного тока



ПРЕДУПРЕЖДЕНИЕ! Несоблюдение этих предупреждений может привести к смерти или серьезной травме. Опасность поражения электрическим током

Подключение к системам электроснабжения, а также ремонтные работы должны выполняться специалистом с соблюдением действующих в стране применения норм и правил.



УКАЗАНИЕ

- Сетевая вилка устройства не должна располагаться сразу за решеткой вентиляции, так как в этом месте она будет препятствовать вентиляции и может попадать под брызги воды.
- Запрещается отрезать вилку кабеля переменного тока.
- Проложите кабель таким образом, чтобы он не соприкасался с горячими элементами агрегата/горелки или с острыми краями предметов.
- Изменение внутренней электрической цепи или подсоединение других электрических компонентов (например, внешнего вентилятора) к внутренним системам холодильника является основанием для аннулирования гарантийных обязательств поставщика.
- Холодильники RM10.5 и RMS10.5 имеют интерфейс CI-Bus и могут управляться через совместимый центральный дисплей автомобиля.

Принципиальная схема холодильника (рис. 22, стр. 12)

Позиция на рис. 22, стр. 12	Наименование
1	Вентилятор 1 (если установлен дополнительный модуль)
2	Дополнительный модуль (опция)
3	Источник постоянного тока для печи (если установлен дополнительный модуль)
4	Источник постоянного тока модуля питания
5	NTC 2: Наружная температура (опция)
6	NTC 1: Датчик температуры в отделении для свежих продуктов
7	Газовый вентиль
8	Освещение
9	Герконовый выключатель
10	S+ (опция)
11	Нагревательный элемент постоянного тока
12	Предохранитель 15 А
13	Реле постоянного тока для нагревательного элемента
14	Вход для газа

Позиция на рис. 22, стр. 12	Наименование
15	Соединительный блок постоянного тока
16	Кабель постоянного тока для питания электронного оборудования
17	Кабель постоянного тока для питания нагревательного элемента
18	Разъем CI-Bus
19	Источник переменного тока
20	Нагревательный элемент переменного тока
21	Масса
22	Защитное заземление переменного тока
23	Зажигающий электрод
24	Модуль питания
25	Модуль индикации

Постоянный ток



ПРЕДУПРЕЖДЕНИЕ! Опасность возникновения пожара

- Линия электропитания нагревающего элемента должна быть защищена предохранителем 15 А.
- Линия электропитания электронного оборудования должна быть защищена предохранителем 2 А.



ВНИМАНИЕ!

Запрещается объединять в один провод положительный и отрицательный проводник линии постоянного тока, питающей электронное оборудование (рис. 22 16, стр. 12) и нагревательный элемент (рис. 22 17, стр. 12). Это может привести к неправильной работе устройств или повреждению электрических частей.

Используйте кабель требуемого сечения (рис. 23, стр. 14):

- Подключения нагревательного элемента:
 - <6 м (в салоне): $\geq 6 \text{ мм}^2$
 - >6 м (в салоне): $\geq 10 \text{ мм}^2$
 - Кабель, проведенный через сцепное устройство (только в жилых прицепах): $\geq 2,5 \text{ мм}^2$
- Подключения электронных узлов: $\geq 0,75 \text{ мм}^2$

- Подключения D+ и S+: $\geq 0,75 \text{ мм}^2$
1. Подсоедините к розетке постоянного тока, как показано на схеме (рис. **22**, стр. 12):
 - Подсоедините **A** и **C** к положительному полюсу аккумулятора.
 - Подсоедините **D** и **F** к земле.
 - Подсоедините **B** к сигналу D+.

Электронное оборудование холодильника получает информацию о состоянии двигателя через сигнал D+ генератора. Холодильник в автоматическом режиме выбирает оптимальный режим работы. При включенном двигателе холодильник может работать только в режиме постоянного тока.

 - Подсоедините **E** к CI-BUS.
 2. Подсоедините **10** к сигналу S+ (опция).
 3. Защитите линию питания **A** предохранителем 2 А (в электрораспределительной коробке транспортного средства).
 4. Защитите линию питания **C** предохранителем 15 А (в электрораспределительной коробке транспортного средства).
 5. Включите линию питания **C** через реле контроля зажигания. Это не допустит полного разряда аккумулятора в случае внезапного отключения двигателя.

Переменный ток

- ▶ Присоедините холодильник к розетке переменного тока, используя сетевую вилку.

6 Утилизация

Переработка изделий с несъемными батареями, аккумуляторами и источниками света



- ▶ Если в изделии содержатся несъемные батареи, аккумуляторы и источники света, извлекать их перед утилизацией не нужно.



- ▶ Если вы окончательно выводите изделие из эксплуатации, получите информацию в ближайшем центре по вторичной переработке или в торговой сети о соответствующих предписаниях по утилизации.



- ▶ Изделие может быть утилизировано бесплатно.

Переработка упаковочного материала

- По возможности, выкидывайте упаковочный материал в мусор, подлежащий вторичной переработке.

7 Технические характеристики

	RM10.5(S)(T)	RMS10.5(S)(T)	RMS10.5X(S)(T)
Подводимое напряжение:	230 В~ /50 Гц 12 В---		
Объем			
Полный объем:	88 л	78 л	92 л
Холодильная камера:	78,7 л	69,1 л	80,3 л
Морозильная камера:	9,2 л	9,2 л	12,1 л
Общий полезный объем:	86 л	76 л	90 л
Без морозильной камеры			
Полный объем:	93 л	83 л	98 л
Полезный объем:	91 л	81 л	96 л
Потребляемая мощность:	135 Вт (230 В~) 130 Вт (12 В---)		
Потребление энергии:	2,8 кВт/24 ч (230 В~)	2,5 кВт/24 ч (230 В~)	3,2 кВт/24 ч (230 В~)
Потребление газа:	270 г/24 ч		
Давление подвода газа:	30 мбар		
Климатический класс:	SN		
Размеры В x Ш x Г:	821 x 523 x 548 мм		821 x 523 x 603 мм
Вес:	28 кг	27,4 кг	29 кг
Испытания/сертификат:	  		

Актуальную декларацию соответствия ЕС для вашего устройства смотрите на странице соответствующего продукта на dometic.com или свяжитесь с производителем напрямую (см. dometic.com/dealer).

Дополнительную информацию о продукте можно получить, отсканировав QR-код на наклейке для маркировки энергоэффективности на изделии или на сайте eprel.ec.europa.eu.

Prosimy o uważne przeczytanie niniejszej instrukcji i przestrzeganie wszystkich zawartych w niej instrukcji postępowania, wskazówek i ostrzeżeń. Pozwoli to zapewnić, że produkt będzie zawsze prawidłowo instalowany, wykorzystywany i konserwowany. Niniejsza instrukcja MUSI przez cały czas pozostawać przy produkcie.

Korzystając z produktu, użytkownik potwierdza uważne przeczytanie wszelkich instrukcji, wskazówek i ostrzeżeń, ich zrozumienie oraz zobowiązuje się przestrzegać zawartych w nich warunków. Użytkownik zobowiązuje się wykorzystywać niniejszy produkt wyłącznie zgodnie z jego przeznaczeniem i zamierzonym zastosowaniem oraz z instrukcjami, wskazówkami i ostrzeżeniami wyszczególnionymi w niniejszej instrukcji produktu, jak również ze wszystkimi mającymi zastosowanie przepisami i regulacjami prawnymi. Nieprzestrzeganie zawartych tu instrukcji i ostrzeżeń może skutkować obrażeniami u użytkownika oraz osób trzecich, uszkodzeniem produktu lub też uszkodzeniem mienia w sąsiedztwie produktu. Zastrzega się możliwość wprowadzania zmian i aktualizacji niniejszej instrukcji produktu, wraz z instrukcjami, wskazówkami i ostrzeżeniami oraz powiązaną dokumentacją. Aktualne informacje dotyczące produktu można zawsze znaleźć na stronie documents.dometic.com, [dometic.com](https://documents.dometic.com).



Szczegółową instrukcję obsługi oraz informacje na temat danych technicznych można znaleźć w internecie pod adresem https://documents.dometic.com/?object_id=69924

Spis treści

1	Objaśnienie symboli	229
2	Wskazówki bezpieczeństwa	230
3	Akcesoria	232
4	Użytkowanie zgodne z przeznaczeniem	233
5	Podłączanie lodówki	241
6	Utylizacja	246
7	Dane techniczne	246

1 Objąśnienie symboli



OSTRZEŻENIE!

Wskazówka bezpieczeństwa: Wskazuje niebezpieczną sytuację, która – jeśli się jej nie uniknie – może prowadzić do śmierci lub poważnych obrażeń.



OSTROŻNIE!

Wskazówka bezpieczeństwa: Wskazuje niebezpieczną sytuację, która – jeśli się jej nie uniknie – może prowadzić do lekkich lub umiarkowanych obrażeń.

**UWAGA!**

Wskazuje sytuację, która – jeśli się jej nie uniknie – może prowadzić do powstania szkód materialnych.

**WSKAZÓWKA**

Dodatkowe informacje dotyczące obsługi produktu.

2 Wskazówki bezpieczeństwa



OSTRZEŻENIE! Nieprzestrzeganie tych ostrzeżeń może prowadzić do śmierci lub ciężkich obrażeń.

Ryzyko porażenia prądem

- Montażu i demontażu lodówki dokonywać może wyłącznie wykwalifikowany personel.
- Napraw lodówki mogą dokonywać tylko odpowiednio wykwalifikowane osoby. Nieprawidłowe naprawy mogą wywoływać poważne zagrożenia lub powodować uszkodzenia lodówki.
- Jeśli kabel przyłączeniowy tej lodówki jest uszkodzony, w celu uniknięcia zagrożeń należy go wymienić u producenta, w dziale obsługi klienta lub u osoby posiadającej podobne uprawnienia.
- Podczas ustawiania lodówki należy uważać, aby nie przygnieść ani nie uszkodzić przewodu zasilającego.
- Nie umieszcza z tyłu lodówki przedłużaczy z wieloma gniazdami ani przenośnych zasilaczy.
- Urządzenie podłączać do gniazdek zapewniających odpowiednie przyłącze, zwłaszcza jeżeli wymaga ono uziemienia.

Ryzyko wybuchu

- Nigdy nie należy otwierać agregatu absorpcyjnego. Ponieważ znajduje się on pod wysokim ciśnieniem, w przypadku otwarcia może spowodować obrażenia.
- W lodówce nie wolno przechowywać substancji wybuchowych, np. pojemników aerosolowych z palnym gazem wytłaczającym.
- Urządzenie może być zasilane **wyłącznie** gazem pod ciśnieniem podanym na tabliczce znamionowej. Stosować tylko ustawione na stałe regulatory ciśnienia, zgodne z przepisami krajowymi (w Europie EN 12864).

Ryzyko pożaru

- Używając np. silikonowej masy uszczelniającej, zwracać uwagę na czystą obróbkę, bez pozostawiania resztek masy. Kontakt włókien silikonowych z gorącymi częściami lub otwartym ogniem może stwarzać ryzyko pożaru.
- Nigdy nie sprawdzać szczelności urządzenia, korzystając z otwartego ognia.
- Korzystać tylko z propanu lub butanu (**nie korzystać** z gazu ziemnego).
- Czynnik chłodniczy w obiegu chłodzenia jest wysoce łatwopalny. W wypadku jego wycieku może dojść do gromadzenia się palnych gazów, jeżeli urządzenie jest ustawione w małym pomieszczeniu.
W razie jakiegokolwiek uszkodzenia obiegu chłodzenia (zapachu amoniaku):
 - Nie zbliżać do lodówki nieostłoniętych płomieni ani potencjalnych źródeł zapłonu.
 - Dobrze przewietrzyć pomieszczenie.
 - Wyłączyć lodówkę.

Zagrożenie zdrowia

- Nie używać urządzenia, jeśli ma ono widoczne uszkodzenia.
- Jeśli kabel przyłączeniowy urządzenia jest uszkodzony, w celu uniknięcia zagrożeń należy zlecić jego wymianę u producenta, w centrum serwisowym lub odpowiednio wykwalifikowanej osobie.

Ryzyko zamknięcia się dziecka w urządzeniu

- Upewnić się, że półki są zamontowane i zamocowane, aby wykluczyć ryzyko uwięzienia dzieci wewnątrz lodówki.
- Przed utylizacją starego urządzenia chłodniczego:
 - Zdemontować szufladę.
 - Pozostawić półki w lodówce w taki sposób, aby dzieci nie mogły się po nich wspinać.



OSTROŻNIE! Nieprzestrzeganie tych uwag może prowadzić do lekkich lub umiarkowanych obrażeń.

Ryzyko porażenia prądem

- Przed uruchomieniem urządzenia należy sprawdzić, czy przewód zasilający i wtyczka są suche.

Ryzyko zmiążdżenia

- Nie dotykać zawiasu.

Zagrożenie zdrowia

- Aby uniknąć niebezpieczeństwa spowodowanego niestabilnym ustawieniem lodówki, należy ją zamocować zgodnie z instrukcją montażu.
- W żadnym wypadku nie otwierać ani nie uszkodzać obiegu chłodzenia.



UWAGA! Ryzyko uszkodzenia

- Podczas transportu urządzenie chwycić tylko za korpus. Nigdy nie chwycić urządzenia za agregat absorpcyjny, żebra chłodzące, przewody gazu, drzwi lub panel obsługi.
- Nie montować urządzenia w pobliżu otwartego źródła ognia ani żadnych innych źródeł ciepła (ogrzewanie, piec gazowy itp.).
- **Niebezpieczeństwo przegrzania!**
Należy pamiętać, że ciepło powstające podczas eksploatacji musi być odpowiednio odprowadzane. Dbać o odpowiednią odległość urządzenia od ścian lub przedmiotów, zapewniając wystarczającą cyrkulację powietrza.
- Należy porównać dane dotyczące napięcia na tabliczce znamionowej z dostępnym źródłem zasilania.
- Urządzenie podłączać do sieci prądu przemiennego wyłącznie za pomocą odpowiedniego przewodu przyłączeniowego.
- Stosować tylko przewody o odpowiednim przekroju.
- Wtyczki nie wolno nigdy wyciągać z gniazdka, ciągnąc za kabel przyłączeniowy.
- Nie można go wystawiać na deszcz.

3 Akcesoria

Opis

Elastyczna rura karbowana do gazu

Uszczelnienie przestrzeni zabudowy do szczelin 1 – 5 mm (rys. **9 B**, strona 7)

Uszczelnienie przestrzeni zabudowy do szczelin 5 – 10 mm (rys. **9 C**, strona 7)

Pokrywa zimowa WA 130 kratki wentylacyjnej LS 200

Opis

Kabel adaptera

- WAGO do CEE
- WAGO do UK
- WAGO do JST
- WAGO do MATE-N-LOK

Opcjonalny zestaw wentylatorów REF-FANKIT

Opcjonalny pakiet akumulatorów R10-BP dla niezależnego trybu zasilania gazem

Opcjonalny zestaw do przechowywania

4 Użytkowanie zgodne z przeznaczeniem

Lodówka nadaje się do:

- montażu w przyczepach kempingowych i pojazdach kempingowych
- chłodzenia, mrożenia i przechowywania produktów spożywczych

Lodówka nie nadaje się do:

- przechowywania leków
- przechowywania substancji żrących lub zawierających rozpuszczalniki
- produktów spożywczych szybko mrożonych

Lodówka jest przeznaczona do instalacji w meblach lub we wnęce.

Lodówka nie jest przeznaczona do zastosowań domowych.

Dwugwiazdkowy zamrażalnik nadaje się do przechowywania uprzednio zamrożonej żywności, przechowywania lub wytwarzania lodów oraz do wytwarzania kostek lodu. Nie nadaje się on do zamrażania uprzednio niezamrożonej żywności.

Niniejszy produkt jest przystosowany wyłącznie do wykorzystywania zgodnie z jego przeznaczeniem oraz zamierzonym zastosowaniem według niniejszej instrukcji.

Niniejsza instrukcja zawiera informacje, które są niezbędne do prawidłowego montażu i/lub obsługi produktu. Nieprawidłowy montaż i/lub niewłaściwa obsługa lub konserwacja powodują niezadowolające działanie i mogą prowadzić do uszkodzeń.

Producent nie ponosi żadnej odpowiedzialności za ewentualne obrażenia lub uszkodzenia produktu wynikłe z następujących przyczyn:

- Nieprawidłowy montaż lub podłączenie, w tym zbyt wysokie napięcie

- Niewłaściwa konserwacja lub użycie innych części zamiennych niż oryginalne części zamienne dostarczone przez producenta
- Wprowadzanie zmian w produkcie bez wyraźnej zgody producenta
- Użytkowanie w celach innych niż opisane w niniejszej instrukcji obsługi

Firma Dometic zastrzega sobie prawo do zmiany wyglądu i specyfikacji produktu.

Niniejszy produkt jest przystosowany wyłącznie do wykorzystywania zgodnie z jego przeznaczeniem oraz zamierzonym zastosowaniem według niniejszej instrukcji.

Niniejsza instrukcja zawiera informacje, które są niezbędne do prawidłowego montażu i/lub obsługi produktu. Nieprawidłowy montaż i/lub niewłaściwa obsługa lub konserwacja powodują niezadowalające działanie i mogą prowadzić do uszkodzeń.

Producent nie ponosi żadnej odpowiedzialności za ewentualne obrażenia lub uszkodzenia produktu wynikłe z następujących przyczyn:

- Nieprawidłowy montaż lub podłączenie, w tym zbyt wysokie napięcie
- Niewłaściwa konserwacja lub użycie innych części zamiennych niż oryginalne części zamienne dostarczone przez producenta
- Wprowadzanie zmian w produkcie bez wyraźnej zgody producenta
- Użytkowanie w celach innych niż opisane w niniejszej instrukcji obsługi

Firma Dometic zastrzega sobie prawo do zmiany wyglądu i specyfikacji produktu.

Montaż lodówki



OSTROŻNIE! Zagrożenie zdrowia

Aby uniknąć niebezpieczeństwa spowodowanego niestabilnym ustawieniem urządzenia, należy je zamocować zgodnie z instrukcją.



Instrukcja zmiany ogranicznika drzwi i panelu dekoracyjnego znajduje się na stronie internetowej
<https://dometic.com/manuals>

4.1 Przygotowanie do montażu

**UWAGA!**

- Lodówki nie można montować z tyłu przyczep kempingowych z drzwiami otwierającymi się w kierunku jazdy.
- W celu zapewnienia bezpiecznej pracy urządzenia należy używać wyłącznie oryginalnych krtek wentylacyjnych Dometic.

Podczas montażu lodówki należy uwzględnić następujące uwagi:

- Podłoga musi być wystarczająco wytrzymała i wypoziomowana. W związku z tym pojazd należy parkować na powierzchni poziomej.
- Lodówka musi być wypoziomowana.
- Lodówka musi być zamontowana w taki sposób, aby
 - była łatwo dostępna dla prac serwisowych
 - była łatwa do montażu i demontażu
 - można ją było łatwo usunąć z pojazdu
- Lodówka musi zostać zamontowana we wnęcie, aby była unieruchomiona podczas poruszania się pojazdu. Uwzględnić następujące wymiary (rys. **1**, strona 3 i rys. **2**, strona 4):

	RM10.5(S)(T)	RMS10.5(S)(T)	RMS10.5X(S)(T)
Lodówka	Ogólne wymiary w mm		
Wysokość (A)	821	821	821
Szerokość (B)	523	523	523
Głębokość (C) (plus pokrętło do obsługi: 5 mm)	548	548	603
Wnęka	Wymiary w mm		
Wysokość (H)	≥829	≥829	≥829
Szerokość (W)	≥525,5	≥525,5	≥525,5
Głębokość (D)	≥563	≥563	≥618

- Lodówkę należy zainstalować w minimalnej odległości 5 mm od podłogi, aby zapewnić prawidłowe otwieranie się drzwi (rys. **3**, strona 4).
 - Unikać ustawiania lodówki bezpośrednio na podłodze.
 - Zwrócić uwagę, aby ruch drzwi nie ograniczały dywany ani wykładziny.

- W ścianie zewnętrznej musi znajdować się otwór wlotowy powietrza (rys. **4** 1, strona 4) i otwór wylotowy powietrza (rys. **4** 2, strona 4) z kratką wentylacyjną do odprowadzania na zewnątrz powstającego ciepła:
 - Otwór wlotowy powietrza: Kratkę wentylacyjną należy zainstalować w miarę możliwości przy samej podłodze wnęki montażowej.
 - Otwór wylotowy powietrza: możliwie jak najwyżej nad lodówką.
 - Odległość pomiędzy otworami wlotowymi i wylotowymi powietrza musi wynosić co najmniej 750 mm dla RM10.5 i 534 mm dla RMS10.5 (rys. **5**, strona 5).
- Nad lodówką należy zamontować płytę odprowadzającą ciepło (rys. **5** 1, strona 5), aby nie dochodziło do gromadzenia się ciepła wewnątrz pojazdu.
- Odległość między lodówką i tylną ścianą musi wynosić co najmniej 15 mm, ale nie więcej niż 25 mm.
- Odległość pomiędzy lodówką i tylną ścianą przekraczająca 25 mm powoduje obniżenie wydajności chłodzenia oraz większe zużycie energii przez lodówkę. W razie potrzeby należy odpowiednio zmniejszyć pustą przestrzeń za lodówką w celu zapewnienia wystarczającego doprowadzania i odprowadzania powietrza (rys. **6**, strona 5). W tym celu należy wykorzystać np. płytę wentylacyjną.
- Jeśli zachowanie minimalnej odległości pomiędzy otworem wlotowym i wylotowym powietrza nie jest możliwe, zamiast otworu wlotowego należy zamontować wywietrznik dachowy.
 - Wywietrznik dachowy należy w miarę możliwości umieścić bezpośrednio nad tylną ścianą lodówki. Jeśli wywietrznika dachowego nie da się umieścić w tej pozycji, należy zastosować kanał wentylacyjny (rys. **7** 1, strona 6), aby zapobiec gromadzeniu się ciepła.
 - Odległość pomiędzy otworem wlotowym powietrza a wywietrznikiem dachowym musi wynosić co najmniej 750 mm dla RM10.5 i 534 mm dla RMS10.5 (rys. **7**, strona 6).
 - Jeśli zamontowany jest klimatyzator dachowy, odległość między wywietrznikiem dachowym (rys. **8** 1, strona 7) a wylotem powietrza klimatyzatora dachowego (rys. **8** 2, strona 7) musi wynosić co najmniej 300 mm.
- Lodówki nie można montować obok otworu wlotowego i wylotowego powietrza, ponieważ prowadzi to do obniżenia wydajności chłodzenia i zwiększonego zużycia energii przez lodówkę.
- Otwór wlotowy i wylotowy powietrza podczas pracy lodówki nie może być zasłaniany przez części pojazdu (np. otwarte drzwi lub zamontowane akcesoria, takie jak bagażnik na rowery).
- Lodówkę należy zamontować w sposób chroniący ją przed nadmiernymi temperaturami, ponieważ prowadzą one do obniżenia wydajności chłodzenia i zwiększonego zużycia energii przez lodówkę.

- Lodówkę należy zamontować w uszczelnionej przestrzeni.

4.2 Montaż lodówki w uszczelnionej przestrzeni



OSTRZEŻENIE! Niebezpieczeństwo pożaru!

Do uszczelniania przestrzeni zabudowy lodówki nie należy używać łatwopalnych materiałów, takich jak silikonowe masy uszczelniające, pianka montażowa itp.

W przyczepach i pojazdach kempingowych lodówki zasilane gazem muszą być montowane w uszczelnionej przestrzeni. W ten sposób powietrze do spalania nie jest pobierane z wnętrza pojazdu, a wyziewy spalin nie przedostają się bezpośrednio do strefy mieszkalnej.

Pomiędzy tylną ścianą lodówki a wnętrzem pojazdu należy zastosować odpowiednie uszczelnienie.

Producent zaleca zastosowanie elastycznego uszczelnienia, aby ułatwić demontaż i montaż w celu konserwacji.

Należy wybrać jeden z trzech wariantów montażu w uszczelnionej przestrzeni (rys. **9**, strona 8):

Listwa ogranicznikowa za lodówką (A)

1. Przykleić elastyczne wargi uszczelniające **(1)** do listwy ogranicznikowej **(2)** za lodówką **(3)**.
 2. Dosunąć lodówko-kuchenkę do listwy ogranicznikowej z elastycznymi wargami uszczelniającymi.
- ✓ Przestrzeń za lodówką jest uszczelniona do wnętrza pojazdu.

Boczna odległość do 5 mm między lodówką a meblami (B)

1. Przykleić wargi uszczelniające (por. rozdz. „Akcesoria” na stronie 232) z boku mebli **(4)**.
 2. Docisnąć lodówko-kuchenkę do elastycznych warg uszczelniających na meblach.
- ✓ Przestrzeń za lodówką jest uszczelniona do wnętrza pojazdu.

Boczna odległość od 5 mm do 10 mm między lodówką a meblami (C)

1. Przykleić podwójne wargi uszczelniające (por. rozdz. „Akcesoria” na stronie 232) z boku mebli **(4)**.

2. Docisnąć lodówko-kuchenkę do podwójnych warg uszczelniających na meblach.
- ✓ Przeszłość za lodówką jest uszczelniona do wnętrza pojazdu.

4.3 Wykonywanie otworów wlotowych i wylotowych powietrza



WSKAZÓWKA

- Wszelkie odstępstwa od przedstawionych tutaj wersji otworów wlotowych i wylotowych wymagają zatwierdzenia przez producenta.
- W przypadku wysokich temperatur otoczenia pełna wydajność chłodzenia lodówki zapewniona jest tylko pod warunkiem optymalnej wentylacji.

- W ścianie zewnętrznej należy wykonać otwór napowietrzający i odpowietrzający o wielkości 451 mm x156 mm.
- Przestrzegać następujących wskazówek, patrz rozdz. „Przygotowanie do montażu” na stronie 234.

Jeśli kratki wentylacyjnej otworu wlotowego powietrza nie można umieścić przy samej podłodze wnęki montażowej, otwór wlotowy powietrza należy wykonać w podłodze pojazdu. Umożliwi to odpływanie w dół ewentualnie wyciekającego gazu.

1. Za lodówką, obok palnika gazowego, należy wykonać otwór wentylacyjny w podłodze o średnicy co najmniej 40 mm (rys. **10** 1, strona 9).
2. Po drugiej stronie otworu należy zamontować deflektor, aby podczas jazdy do wnętrza pojazdu nie przedostawały się błoto i zanieczyszczenia (rys. **10** 2, strona 9).

Jeśli zamiast otworu wylotowego powietrza musi być wykorzystywany wywietrznik dachowy:

- Wykonać wycięcie w dachu. Wymagane wymiary otworu można znaleźć się w instrukcji obsługi wywietrznika dachowego.
- Należy przy tym przestrzegać odpowiednich wskazówek, patrz rozdz. „Przygotowanie do montażu” na stronie 234.

4.4 Montaż kratki wentylacyjnej



WSKAZÓWKA

W celu zapewnienia bezpiecznej pracy urządzenia należy używać wyłącznie oryginalnych kratki wentylacyjnych Dometic.

Poz. na rys. 11 , strona 9	Opis
1	Rama montażowa
2	Kratka wentylacyjna
3	Prowadnik
4	Zimowa pokrywa kratki wentylacyjnej (akcesoria)
5	Adapter do węża odpływu skroplin

1. Ramę montażową należy uszczelnić, aby zapewnić wodoszczelne połączenie (rys. **12**, strona 9).
2. Wstawić ramę montażową i przykręcić mocno śrubami (rys. **13**, strona 9). W tym celu należy wykorzystać wszystkie otwory montażowe.
3. Zamontować adapter węża w zilustrowany sposób (rys. **14** 1, strona 10).
4. Wsunąć kratkę wentylacyjną w sposób zilustrowany na (rys. **15**, strona 10).

4.5 Montaż odpływu skroplin



WSKAZÓWKA

- W wyniku częstego otwierania drzwi, nieprawidłowego przechowywania żywności lub umieszczania w lodówce zbyt ciepłych potraw mogą powstawać w niej skropliny.
- Przewód odpływowy skroplin musi być na całej długości nachylony.

Odpływ skroplin należy zamontować w następujący sposób:

- ▶ Przymocować wąż odpływu skroplin bezpośrednio do adaptera na kratce wentylacyjnej (rys. **14** 2, strona 10).

4.6 Montaż wywietrznika dachowego

Poz. na rys. 16 , strona 10	Opis
1	Pokrywa
2	Rama montażowa

1. Ramę montażową należy uszczelnić, aby zapewnić wodoszczelne połączenie (rys. **17**, strona 10).
2. Wstawić ramę montażową i przykręcić mocno śrubami (rys. **18**, strona 11).
W tym celu należy wykorzystać wszystkie otwory montażowe.
3. Nałożyć pokrywę i przykręcić ją śrubami (rys. **19**, strona 11).

4.7 Mocowanie lodówki



OSTROŻNIE!

Śruby należy wkręcać wyłącznie w przeznaczone do tego celu otwory w lodówce, aby uniknąć uszkodzenia elementów ukrytych w piance izolacyjnej, takich jak przewody itp.



WSKAZÓWKA

Przykręcić boczne ściany lub przymocowane listwy w taki sposób, żeby śruby były mocno dokręcone również przy zwiększonych obciążeniach (podczas jazdy).

1. Umieścić lodówkę w ostatecznej pozycji.
2. Wkręcić śruby (rys. 20 1, strona 11) w plastikowe tulejki w ścianach bocznych lodówki oraz dalej w ściany wnętrza.
3. Założyć zaślepki (rys. 20 2, strona 11) na łby śrub.

5 Podłączanie lodówki

5.1 Podłączanie do zasilania gazem



OSTRZEŻENIE! Nieprzestrzeganie tych ostrzeżeń może prowadzić do śmierci lub ciężkich obrażeń. Zagrożenie zdrowia

- Przyłącze gazu może być wykonywane tylko przez specjalistę zgodnie z obowiązującymi krajowymi przepisami i normami.
- Przyłączanie za pomocą węża jest **niedopuszczalne**.
- Należy zastosować złącze gwintowane z uszczelnieniem metalowym.
- Nie wolno usuwać (białego) filtra gazu w przyłączy gazu lodówki.
- Należy korzystać wyłącznie z butli z propanem lub butanem (nie stosować gazu ziemnego ani miejskiego) z atestowanym reduktorem ciśnienia i odpowiednią głowicą. Należy porównać wartość ciśnienia podaną na tabliczce znamionowej z wartością na reduktorze butli z propanem lub butanem.
- Lodówka może być zasilana **wyłącznie** gazem pod ciśnieniem podanym na tabliczce znamionowej.
- Lodówka może być zasilana **wyłącznie** takim typem gazu, który podany jest na tabliczce znamionowej.
- Przestrzegać dopuszczalnych w danym kraju ciśnień. Stosować tylko ustawione na stałe regulatory ciśnienia, zgodne z krajowymi przepisami.



WSKAZÓWKA

Opcjonalnie można użyć elastycznej rury przyłączeniowej gazu Dometic, aby utrzymać instalację bez naprężeń.

Należy zapewnić osobną możliwość odłączania lodówki od gazu za pomocą zaworu odcinającego. Zawór odcinający musi być łatwo dostępny.

1. Podłączyć lodówkę do zasilania gazem i ręcznie dokręcić przyłącze (rys. 21, strona 11).



OSTRZEŻENIE! Ryzyko wybuchu

Należy bezwzględnie przestrzegać następujących momentów dokręcania:

Pozycja na rys. 21 , strona 11	Opis
1	Śruba M4 (Torx TX20), Moment dokręcania: 2 Nm
2	Przyłącze gazu lodówki: M14 x 1,5 (d = 8 mm / ISO 8434 (DIN 2353))
3	Rura do gazu z przyłączem z pierścieniem zacinającym (rozmiar 17), Moment dokręcania: 25 Nm

- Po prawidłowej instalacji należy zlecić autoryzowanemu specjalście badanie szczelności oraz przeprowadzenie próby płomieniowej.
Upewnić się, że otrzymano zaświadczenie badania i przekazać je użytkownikowi końcowemu do przechowania.

5.2 Przyłączanie do zasilania prądem przemiennym lub stałym



OSTRZEŻENIE! Nieprzestrzeganie tych ostrzeżeń może prowadzić do śmierci lub ciężkich obrażeń. Ryzyko porażenia prądem

Instalacja elektryczna oraz naprawy mogą być wykonywane wyłącznie przez specjalistę zgodnie z obowiązującymi krajowymi przepisami i normami.



WSKAZÓWKA

- Wtyczki urządzenia nie można umieszczać bezpośrednio za kratką wentylacyjną. Mogłoby to bowiem utrudniać cyrkulację powietrza oraz narażać wtyczkę urządzenia na bryzgi wody.
- Nie wolno odcinać wtyczki urządzenia od kabla przyłączeniowego prądu przemiennego.
- Kabel przyłączeniowy należy poprowadzić w taki sposób, aby nie stykał się on z gorącymi częściami agregatu/palnika lub ostrymi krawędziami.
- Modyfikacje wewnętrznej instalacji elektrycznej lub przyłączanie do wewnętrznego okablowania lodówki innych urządzeń elektrycznych (np. dodatkowych wentylatorów innych producentów) prowadzi do utraty wszelkich uprawnień z tytułu gwarancji i odpowiedzialności za produkt.
- Lodówki RM10.5 i RMS10.5 są wyposażone w złącze magistrali CI i można nimi sterować za pośrednictwem kompatybilnego centralnego wyświetlacza pojazdu.

Schemat ideowy lodówki (rys. 22, strona 12)

Pozycja na rys. 22, strona 12	Opis
1	Wentylator 1 (jeśli moduł opcji jest dostępny)
2	Moduł opcji (opcjonalny)
3	Zasilanie prądem stałym kuchenki (jeśli obecny jest moduł opcji)
4	Moduł zasilania prądem stałym
5	NTC 2: Temperatura zewnętrzna (opcjonalnie)
6	NTC 1: Czujnik temperatury w komorze na świeżą żywność
7	Zawór gazu
8	Oświetlenie
9	Kontaktron
10	S+ (opcja)
11	Element grzewczy zasilany prądem stałym
12	Bezpiecznik 15 A
13	Przełącznik prądu stałego dla elementu grzejnego

Pozycja na rys. 22, strona 12	Opis
14	Wejście gaz
15	Blok przyłączeniowy prądu stałego
16	Kabel zasilający prądu stałego – elektronika
17	Kabel zasilający prądu stałego – element grzejny
18	Przyłącze magistrali CI
19	Przyłącze prądu przemiennego
20	Element grzewczy zasilany prądem przemiennym
21	Masa
22	Przewód ochronny sieci prądu przemiennego
23	Elektroda zapłonowa
24	Moduł mocy
25	Moduł wyświetlacza

Prąd stały



OSTRZEŻENIE! Ryzyko pożaru

- Przewód zasilający elementu grzewczego musi być wyposażony w bezpiecznik 15A.
- Przewód zasilający elektroniki musi być wyposażony w bezpiecznik 2 A.



UWAGA!

Odpowiednich przewodów dodatkich i ujemnych przyłączy prądu stałego dla elektroniki (rys. 22 16, strona 12) i elementu grzewczego (rys. 22 17, strona 12) **nie** można łączyć ze sobą i wykonywać na jednym przewodzie. W przeciwnym wypadku może dojść do powstania zakłóceń elektrycznych lub uszkodzenia części elektrycznych.

Należy stosować następujące przekroje przewodów (rys. 23, strona 14):

- Przyłącza elementu grzejjego:
 - <6 m (wewnątrz): $\geq 6 \text{ mm}^2$
 - >6 m (wewnątrz): $\geq 10 \text{ mm}^2$
 - Kabel zasilany przez dyszel (tylko przyczepy kempingowe): $\geq 2,5 \text{ mm}^2$
 - Przyłącza elektroniki: $\geq 0,75 \text{ mm}^2$
 - Połączenia D+ i S+: $\geq 0,75 \text{ mm}^2$
1. Gniazdo prądu stałego należy zamontować w następujący sposób (rys. 22, strona 12):
 - Podłączyć **A** i **C** do dodatniego bieguna akumulatora.
 - Podłączyć **D** i **F** do uziemienia.
 - Podłączyć **B** do sygnału D+.
Układ elektroniczny lodówki wykorzystuje sygnał D+ alternatora do rozpoznawania pracującego silnika. W trybie automatycznym lodówka wybiera najkorzystniejszy dostępny rodzaj zasilania. Lodówka zasilana jest prądem stałym tylko wtedy, gdy silnik pojazdu jest włączony.
 - Podłączyć **E** do magistrali Cl.
 2. Podłączyć **10** do sygnału S+ (opcjonalnie).
 3. Zabezpieczyć przewód zasilający **A** bezpiecznikiem 2 A w skrzynce rozdzielczej pojazdu.
 4. Zabezpieczyć przewód zasilający **C** bezpiecznikiem 15 A w skrzynce rozdzielczej pojazdu.
 5. Uruchomić przewód zasilający **C** za pomocą przełącznika sterowanego zapłonem.
Zapobiega to całkowitemu rozładowaniu akumulatora w przypadku przypadkowego wyłączenia silnika.

Prąd przemienny

- Przyłączyć lodówkę do gniazdka prądu przemiennego poprzez wetknięcie do niego wtyczki urządzenia.

6 Utylizacja

Recykling produktów z niewymiennymi bateriami, akumulatorami lub źródłami światła



- ▶ Jeśli produkt zawiera niewymienne baterie, akumulatory lub źródła światła, nie trzeba ich usuwać przed utylizacją.
- ▶ Jeśli produkt nie będzie już dalej wykorzystywany, należy dowiedzieć się w najbliższym zakładzie recyklingu lub od specjalistycznego przedstawiciela producenta, w jaki sposób można zutylizować produkt zgodnie z obowiązującymi przepisami.
- ▶ Produkt można zutylizować nieodpłatnie.




Recykling materiałów opakowaniowych



- ▶ Opakowanie należy wyrzucić do odpowiedniego pojemnika na odpady do recyklingu.

7 Dane techniczne

	RM10.5(S)(T)	RMS10.5(S)(T)	RMS10.5X(S)(T)
Napięcie zasilania:	230 V~ /50 Hz 12 V===		
Pojemność			
Pojemność brutto:	88 l	78 l	92 l
Komora lodówki:	78,7 l	69,1 l	80,3 l
Zamrażarka	9,2 l	9,2 l	12,1 l
Całkowita pojemność netto:	86 l	76 l	90 l
Z wyłączeniem zamrażarki			
Pojemność brutto:	93 l	83 l	98 l
Pojemność netto:	91 l	81 l	96 l
Moc pobierana:	135 W (230 V~) 130 W (12 V===)		
Zużycie energii:	2,8 kWh/24 h (230 V~)	2,5 kWh/24 h (230 V~)	3,2 kWh/24 h (230 V~)
Zużycie gazu:	270 g/24 h		
Ciśnienie przyłączeniowe gazu:	30 mbar		
Klasa klimatyczna:	SN		

	RM10.5(S)(T)	RMS10.5(S)(T)	RMS10.5X(S)(T)
Wymiary (wys. x szer. x gł.):	821 x 523 x 548 mm		821 x 523 x 603 mm
Masa:	28 kg	27,4 kg	29 kg
Kontrola/certyfikat:	  		

Aktualną deklarację zgodności UE dla urządzenia można znaleźć na stronie produktu pod adresem: dometic.com lub uzyskać ją bezpośrednio u producenta (patrz dometic.com/dealer).

Dalsze informacje na temat produktu można uzyskać za pośrednictwem kodu QR umieszczonego na etykiecie energetycznej lub na stronie eprel.ec.europa.eu.

Dôkladne si prečítajte tento návod a dodržiavajte všetky pokyny, usmernenia a varovania uvedené v tomto návode k výrobku, aby sa zaručilo, že výrobok sa vždy bude správne inštalovať, používať a udržiavať. Tento návod **MUSÍ** zostať priložený k výrobku.

Používaním tohto výrobku týmto potvrdzujete, že ste si dôkladne prečítali všetky pokyny, usmernenia a varovania a súhlasíte s dodržiavaním všetkých uvedených podmienok. Súhlasíte, že tento výrobok budete používať len v súlade so zamýšľaným použitím a v súlade s pokynmi, usmerneniami a varovaniami uvedenými v tomto návode k výrobku, ako aj v súlade so všetkými platnými zákonmi a nariadeniami. V prípade, že si neprečítate a nebudete sa riadiť pokynmi a varovaniami uvedenými v tomto návode, môže mať za následok vaše poranenie alebo poranenie iných osôb, poškodenie vášho výrobku alebo poškodenie majetku v jeho blízkosti. Tento návod k výrobku vrátane pokynov, usmernení a varovaní, a súvisiaca dokumentácia môže podliehať zmenám a aktualizáciám. Najaktuálnejšie informácie o výrobku nájdete na adrese documents.dometic.com, [dometic.com](https://documents.dometic.com).



Podrobný návod na obsluhu a informácie o technických údajov nájdete online na adrese
https://documents.dometic.com/?object_id=69924

Obsah

1	Vysvetlenie symbolov	248
2	Bezpečnostné pokyny	249
3	Príslušenstvo	251
4	Používanie v súlade s určením	252
5	Pripojenie chladničky	259
6	Likvidácia	263
7	Technické údaje	263

1 Vysvetlenie symbolov



VÝSTRAHA!

Bezpečnostný pokyn: Označuje nebezpečnú situáciu, ktorej následkom môže byť smrť alebo vážne zranenie, ak sa jej nezabráni.



UPOZORNENIE!

Bezpečnostný pokyn: Označuje nebezpečnú situáciu, ktorej následkom môže byť malé alebo stredne ťažké zranenie, ak sa jej nezabráni.



POZOR!

Označuje situáciu, ktorej následkom môže byť poškodenie majetku, ak sa jej nezabráni.



POZNÁMKA

Doplňujúce informácie týkajúce sa obsluhy produktu.

2 Bezpečnostné pokyny



VÝSTRAHA! Nedodržanie týchto varovaní môže mať za následok smrť alebo vážne poranenie.

Nebezpečenstvo úrazu elektrickým prúdom

- Montáž a demontáž chladničky smú vykonávať len kvalifikovaní pracovníci.
- Opravy na tejto chladničke smú vykonávať len kvalifikovaní odborníci. Neodbornými opravami môžu vzniknúť značné nebezpečenstvá príp. poškodenia chladničky.
- Ak je pripájací kábel tejto chladničky poškodený, musí ho vymeniť výrobca, jeho zákaznícky servis alebo iná kvalifikovaná osoba, aby sa predišlo ohrozeniam.
- Pri umiestňovaní chladničky sa ubezpečte, že napájací kábel nie je zachytený alebo poškodený.
- Neumiestňuje žiadne viacnásobné prenosné zásuvky alebo prenosné napájacie adaptéry na zadnú stranu chladničky.
- Zariadenie pripájajte do zásuviek, ktoré zaručia správne pripojenie, najmä vtedy, keď je zariadenie potrebné uzemniť.

Nebezpečenstvo výbuchu

- Nikdy neotvárajte absorpčný agregát. Je pod vysokým tlakom a v prípade jeho otvorenia môže spôsobiť poranenia.
- V chladničke neuskladňujte látky, pri ktorých hrozí nebezpečenstvo výbuchu, napr. sprejové nádoby s horľavým hnacím plynom.
- **Zariadenie prevádzkujte iba** s tlakom uvedeným na typovom štítku. Používajte len pevne nastavené regulátory tlaku, ktoré vyhovujú národným predpisom (v Európe EN 12864).

Nebezpečenstvo požiaru

- Dbajte na čisté a bezozvyškové spracovanie, ak používate silikónovú tesniacu hmotu alebo podobné. Ak sa silikónové vlákna dostanú do kontaktu s horúcimi dielmi alebo otvoreným plameňom, hrozí nebezpečenstvo požiaru.

- Nikdy nekontrolujte zariadenie na netesnosť pomocou otvoreného plameňa.
- Používajte len propán alebo bután (**žiadny** zemný plyn).
- Chladiaci prostriedok v chladiacom okruhu chladničky je vysoko horľavý a v prípade úniku sa môžu nahromadiť horľavé plyny, ak je spotrebič umiestnený v malej miestnosti.
V prípade poškodenia chladiaceho okruhu (zápach amoniaku):
 - Otvorený plameň a potenciálne zdroje zapálenia držte mimo chladničky.
 - Miestnosť dobre vetrajte.
 - Vypnite chladničku.

Nebezpečenstvo ohrozenia zdravia

- Keď zariadenie vykazuje viditeľné poškodenia, nesmiete ho uvádzať do prevádzky.
- Ak je pripájací kábel na striedavý prúd tohto zariadenia poškodený, musí ho vymeniť výrobca, jeho servisný technik alebo iná kvalifikovaná osoba, aby sa predišlo bezpečnostným rizikám.

Riziko uväznenia dieťaťa

- Postarajte sa, aby police boli namontované a zaistené, takže deti sa nebudú môcť zavrieť v chladničke.
- Pred likvidáciou vašej starej chladničky:
 - Demontujte zásuvky.
 - Nechajte zásuvky v chladničke, aby deti nemohli vojsť dnu.



UPOZORNENIE! Nedodržanie týchto upozornení môže mať za následok drobné alebo stredne ťažké poranenie.

Nebezpečenstvo úrazu elektrickým prúdom

- Pred uvedením zariadenia do prevádzky dbajte na to, aby bolo suché prírodné vedenie a zástrčka.

Nebezpečenstvo pomliaždenia

- Nesiahajte do závesu.

Nebezpečenstvo ohrozenia zdravia

- Chladnička musí byť upevnená podľa pokynov v návode, aby sa zabránilo ohrozeniu následkom jej nestability.
- Chladiaci okruh v žiadnom prípade neotvárajte ani nepoškodíte.



POZOR! Nebezpečenstvo poškodenia

- Pri preprave držte zariadenie iba za korpus. Nikdy nedržte zariadenie za absorpčný agregát, chladiace rebrá, plynové vedenia, dvere alebo ovládací panel.
- Prístroj nemontujte v blízkosti otvoreného ohňa alebo iných zdrojov tepla (kúrenie, plynové pece atď.).
- **Nebezpečenstvo prehriatia!**
Dbajte na to, aby sa teplo, ktoré vzniká pri prevádzke, mohlo dostatočne odvádzať. Zabezpečte, aby zariadenie bolo v dostatočnej vzdialenosti od stien alebo predmetov, takže bude zaručená cirkulácia vzduchu.
- Skontrolujte, či sa údaje o napätí na typovom štítku zhodujú so zdrojom napätia.
- Zariadenie pripojte pomocou príslušného pripájacieho kábla na striedavý prúd k zásuvke striedavého prúdu.
- Používajte len kábel s vhodným prierezom vodiča.
- Konektor nikdy nevyťahujte zo zásuvky za kábel.
- Zariadenie nevystavujte dažďu.

3 Príslušenstvo

Opis

Pružné plynové potrubie

Tesnenie na nepriedušnú montáž pre štrbiny a medzery 1 – 5 mm (obr. **9 B**, strane 7)

Tesnenie na nepriedušnú montáž pre štrbiny a medzery 5 – 10 mm (obr. **9 C**, strane 7)

Zimný kryt WA 130 pre vetráciu mriežku LS 200

Adaptérový kábel

- WAGO pre CEE
- WAGO pre VB
- WAGO pre JST
- WAGO pre MATE-N-LOK

Voliteľná súprava ventilátora REF-FANKIT

Voliteľný akumulátor Pack R10-BP pre samostatnú prevádzku s plynom

Voliteľná súprava na skladovanie

4 Používanie v súlade s určením

Chladnička je vhodná na:

- montáž do karavanov a obytných vozov,
- chladenie, hlboké zmrazovanie a uskladnenie potravín

Chladnička nie je vhodná na:

- skladovanie liekov,
- skladovanie korozívnych látok alebo látok s obsahom rozpúšťadiel,
- rýchle zmrazovanie jedla.

Chladnička je určená na montáž do skrinky alebo do montážneho výklenku.

Táto chladnička nie je určená na použitie v domácnosti.

Mraziaca priehradka je vhodná na uskladnenie predmrazených potravín, uskladnenie alebo výrobu zmrzliny a výrobu kociek ľadu. Nie je vhodný na zmrazovanie už rozmrazených potravín.

Tento výrobok je vhodný iba na použitie na určený účel a použitie v súlade s týmto návodom.

Tento návod obsahuje informácie, ktoré sú nevyhnutné pre správnu inštaláciu a/alebo obsluhu výrobku. Chybná inštalácia a/alebo nesprávna obsluha či údržba bude mať za následok neuspokojivý výkon a možnú poruchu.

Výrobca nenesie žiadnu zodpovednosť za akékoľvek poranenia či škody na výrobku spôsobené:

- nesprávnou montážou alebo pripojením vrátane nadmerného napätia
- nesprávnou údržbou alebo použitím iných ako originálnych náhradných dielov poskytnutých výrobcom
- zmeny produktu bez výslovného povolenia výrobcu
- použitie na iné účely než na účely opísané v návode

Firma Dometic si vyhradzuje právo na zmenu vzhľadu a technických parametrov výrobku.

Tento výrobok je vhodný iba na zamýšľané použitie a použitie v súlade s týmto návodom.

Tento návod obsahuje informácie, ktoré sú nevyhnutné pre správnu inštaláciu a/alebo obsluhu výrobku. Chybná inštalácia a/alebo nesprávna obsluha či údržba bude mať za následok neuspokojivý výkon a možnú poruchu.

Výrobca nenesie žiadnu zodpovednosť za akékoľvek poranenia či škody na výrobku spôsobené:

- nesprávnou montážou alebo pripojením vrátane nadmerného napätia
- nesprávnou údržbou alebo použitím iných ako originálnych náhradných dielov poskytnutých výrobcom
- zmeny produktu bez výslovného povolenia výrobcu
- použitie na iné účely než na účely opísané v návode

Firma Dometic si vyhradzuje právo na zmenu vzhľadu a technických parametrov výrobku.

Montáž chladničky



UPOZORNENIE! Nebezpečenstvo ohrozenia zdravia

Zariadenie musí byť upevnené podľa opisu v návode, aby sa zabránilo ohrozeniu následkom jeho nestability/uvolnenia.



Príručku s pokynmi na výmenu zarážky dvierok a dekoračnej platne nájdete online na adrese <https://dometic.com/manuals>

4.1 Príprava montáže



POZOR!

- Chladnička sa nesmie montovať v zadnej časti karavanu s dverami v smere jazdy.
- Pre zaistenie bezpečnej prevádzky používajte výlučne originálne vetracie mriežky Dometic.

Pri montáži chladničky dodržiavajte nasledovné pokyny:

- Ubezpečte sa, že podlaha je pevná a rovná.
Kvôli tomu zaparkujte vozidlo na vodorovnom povrchu.
- Ubezpečte sa, že chladnička je postavená vodorovne.
- Chladnička musí byť namontovaná tak, aby
 - bola ľahko dostupná pre servisné práce
 - ľahko sa demontovala a montovala
 - dala sa ľahko vybrať z vozidla

- Chladnička musí byť zabudovaná do výklenku, aby sa pri pohybe vozidla nepohla. Kvôli tomu dodržte nasledujúce rozmery (obr. **1**, strane 3 a obr. **2**, strane 4):

	RM10.5(S)(T)	RMS10.5(S)(T)	RMS10.5X(S)(T)
Chladnička	Celkové rozmery v mm		
Výška (A)	821	821	821
Šírka (B)	523	523	523
Hĺbka (C) (nezahŕňa ovládací regulátor 5 mm)	548	548	603
Výklenok	Rozmery v mm		
Výška (H)	≥829	≥829	≥829
Šírka (W)	≥525,5	≥525,5	≥525,5
Hĺbka (D)	≥563	≥563	≥618

- Chladnička musí byť namontovaná s minimálnou vzdialenosťou 5 mm od podlahy, aby bolo zaručené riadne otváranie dverí (obr. **3**, strane 4).
 - Neumiestňujte chladničku priamo na podlahu.
 - Ubezpečte sa, že koberce nemôžu obmedziť voľný pohyb dverí.
- Vo vonkajšej stene musí byť naprojektovaný vetrací otvor (obr. **4** 1, strane 4) a odvetrávací otvor (obr. **4** 2, strane 4) s vetracími mriežkami, aby vytvorené teplo mohlo byť dobre odvádzané von:
 - Vetrací otvor: Osadte ventilačnú mriežku tak, aby čo najviac lícovala s plochou montážneho výklenku.
 - Odvetrávací otvor: podľa možnosti čo najviac nad chladničkou.
 - Vzdialenosť medzi vetracím otvorom a odvetrávacími otvormi musí byť minimálne 750 mm pri modeli RM10.5 a 534 mm pri modeli RMS10.5 (obr. **5**, strane 5).
- Nad chladničkou naplánujte teplovodný plech (obr. **5** 1, strane 5), aby sa teplo neakumulovalo vo vozidle.
- Vzdialenosť medzi chladničkou a zadnou stenou musí byť minimálne 15 mm, ale nie viac ako 25 mm.
- Vzdialenosť medzi chladničkou a zadnou stenou väčšia ako 25 mm vedie k stratám výkonu a zvýšenej spotrebe energie chladničky. V závislosti od toho zmenšíte prázdny priestor za chladničkou, aby bolo zabezpečené dostatočné vetranie a odvetrávanie (obr. **6**, strane 5). Na to použijete napr. vzduchovodný plech.

- Ak nie je možné dodržať minimálnu vzdialenosť medzi vetracím a odvetrávacím otvorom, namiesto odvetrávacieho otvoru musí byť namontovaný strešný vetrák.
 - Strešný vetrák je potrebné namontovať podľa možnosti priamo nad zadnú stenu chladničky. Použite vzduchový kanál (obr. **7** 1, strane 6), ak chcete strešný vetrák namontovať zapustený, v opačnom prípade dôjde k nahromadeniu tepla.
 - Vzdialenosť medzi vetracím otvorom a strešným vetrákom musí byť minimálne 750 mm pri modeli RM10.5 a 534 mm pri modeli RMS10.5 (obr. **7**, strane 6).
 - Pokiaľ je namontovaná strešná klimatizácia, vzdialenosť medzi strešným vetrákom (obr. **8** 1, strane 7) a vývodom vzduchu strešnej klimatizácie (obr. **8** 2, strane 7) musí byť minimálne 300 mm.
- Chladnička nesmie byť zabudovaná bokom k vetraciemu a odvetrávaciemu otvoru, pretože to vedie k stratám výkonu a zvýšenej spotrebe energie chladničky.
- Vetrací a odvetrávací otvor nesmú byť pri prevádzke zakryté časťami vozidla (napr. otvorené dvere alebo namontovaným príslušenstvom ako nosič bicyklov).
- Namontujte chladničku tak, aby bola chránená proti nadmernému tepelnému žiareniu, pretože to vedie k stratám výkonu a zvýšenej spotrebe energie chladničky.
- Chladnička musí byť plynottesne zabudovaná.

4.2 Plynottesná montáž chladničky



VÝSTRAHA! Nebezpečenstvo požiaru!

Na plynottesnú montáž nepoužívajte žiadne ľahko horľavé materiály ako silikónové tesniace hmoty, montážnu penu a podobne.

Plynové chladničky v karavanoch alebo obytných vozidlách musia byť plynottesne zabudované. Znamená to, že vzduch pre spaľovanie nesmie byť odoberaný z interiéru a je zabránené priamemu vniknutiu spalín do obytného priestoru.

Medzi zadnou stenou chladničky a interiérom vozidla musí byť naprojektované vhodné utesnenie.

Výrobca odporúča použiť pružné tesnenie pre zjednodušenie demontáže a montáže pre účely údržby.

Zvoľte jednu z troch verzií plynottesnej montáže (obr. **9**, strane 8):

Dorazová lišta za chladničkou (A)

1. Prilepte pružnú tesniacu hranu (**1**) k dorazovej lište (**2**) za chladničkou (**3**).

2. Zatláče kombinovanú chladničku s rúrou oproti dorazovej lište s tesniacimi hranami.
- ✓ Priestor za chladničkou je utesnený k interiéru vozidla.

Bočná medzera medzi chladničkou a nábytkom až do vzdialenosti 5 mm (B)

1. Prilepte tesniace hrany (pozrite si kap. „Príslušenstvo“ na strane 251) na bočnú stranu nábytku (4).
 2. Zatláče kombinovanú chladničku s rúrou oproti pružnej tesniacej hrane na nábytku.
- ✓ Priestor za chladničkou je utesnený k interiéru vozidla.

Bočná medzera medzi chladničkou a nábytkom vo vzdialenosti 5 mm až 10 mm (C)

1. Prilepte tesnenie s dvojitou hranou (pozrite si kap. „Príslušenstvo“ na strane 251) na bočnú stranu nábytku (4).
 2. Zatláče kombinovanú chladničku s rúrou oproti tesneniu s dvojitou hranou na nábytku.
- ✓ Priestor za chladničkou je utesnený k interiéru vozidla.

4.3 Vytvorenie vetracieho a odvetrávacieho otvoru



POZNÁMKA

- Odchýlky od variantov vetracieho a odvetrávacieho otvoru, ktoré sú tu zobrazené, musí schváliť výrobca.
- Pri vysokých teplotách okolia môže chladnička ponúknuť svoj maximálny chladiaci výkon len vtedy, keď je zabezpečené optimálne vetranie a odvetrávanie.

- Vo vonkajšej stene vytvorte vetrací a odvetrávací otvor s rozmermi 451 mm × 156 mm.

Pritom dodržujte pokyny, pozri kap. „Príprava montáže“ na strane 253.

Pokiaľ nie je možné vetraciu mriežku zabudovať zalícovane s podlahou montážneho výklenku, vytvorte vetrací otvor v podlahe. Akýkoľvek unikajúci plyn tak môže prúdiť smerom dole.

1. Za kombinovanou chladničkou s rúrou v blízkosti plynového horáka vytvorte v podlahe vetrací otvor s \varnothing aspoň 40 mm (obr. **10** 1, strane 9).

- Zakryte vonkajšiu stranu otvoru deflektorom, aby počas jazdy nevníkol kal alebo nečistoty (obr. **10** 2, strane 9).

Pokiaľ musíte namiesto odvetrávacieho otvoru použiť strešný vetrák:

- Vyhotovte v streche výrez na rám. Potrebné rozmery nájdete v návode k strešnému vetráku.
Pritom dodržujte pokyny v kap. „Príprava montáže“ na strane 253.

4.4 Montáž vetracej mriežky



POZNÁMKA

Pre zaistenie bezpečnej prevádzky používajte výlučne originálne vetracie mriežky Dometic.

Č. na obr. 11 , strane 9	Opis
1	Montážny rám
2	Vetracia mriežka
3	Posúvač
4	Zimný kryt pre vetraciu mriežku (príslušenstvo)
5	Adaptér pre hadicu na odvádzanie kondenzovanej vody

- Vodotesne utesnite montážny rám (obr. **12**, strane 9).
- Osadíte montážny rám a pevne ho priskrutkujte (obr. **13**, strane 9). Použite na to všetky upevňovacie otvory.
- Namontujte adaptér podľa obrázku (obr. **14** 1, strane 10).
- Vložte vetraciu mriežku podľa obrázku (obr. **15**, strane 10).

4.5 Montáž odtoku kondenzovanej vody



POZNÁMKA

- Vo vnútri chladničky sa kvôli častému otváraní dverí, nesprávne skladovaným potravinám alebo skladovaniu príliš teplých jedál môže tvoriť kondenzovaná voda.
- Kondenzovaná voda musí odtekať pod konštantným sklonom.

Odtok kondenzovanej vody namontujte nasledovne:

- ▶ Pripojte hadicu na kondenzovanú vodu priamo k adaptéru na vetracej mriežke (obr. **14** 2, strane 10).

4.6 Montáž strešného vetráka

Č. na obr. 16 , strane 10	Opis
1	Kryt
2	Montážny rám

1. Vodotesne utesnite montážny rám (obr. **17**, strane 10).
2. Osadíte montážny rám a pevne ho priskrutkujte (obr. **18**, strane 11). Použite na to všetky upevňovacie otvory.
3. Nasadíte kryt a pevne ho priskrutkujte (obr. **19**, strane 11).

4.7 Pripevnenie chladničky



UPOZORNENIE!

Skrutkujte vždy cez zdiery, ktoré sú na to určené, pretože v opačnom prípade môže dôjsť k poškodeniu zapenených dielov, ako napríklad káble.



POZNÁMKA

Pripevnite bočné steny alebo namontované lišty tak, aby skrutky pevne držali aj pri vyššom namáhaní (počas jazdy).

1. Umiestnite chladničku na vyhradené miesto.
2. Zakrúťte skrutky (obr. **20** 1, strane 11) cez plastový plášť v bočných stenách chladničky a ďalej do steny.
3. Na hlavy skrutiek nasadíte krycie uzávery (obr. **20** 2, strane 11).

5 Pripojenie chladničky

5.1 Pripojenie k prívodu plynu



VÝSTRAHA! Nedodržanie týchto varovaní môže mať za následok smrť alebo vážne poranenie. Nebezpečenstvo ohrozenia zdravia

- Pripojenie chladničky k prívodu plynu smie vykonávať len odborník v súlade s platnými predpismi a normami danej krajiny.
- Hadicové pripojenie **nie je** prípustné.
- Použite skrutkový spoj s kovovým tesnením.
- Plynový filter (biely) v plynovej prípojke chladničky sa nesmie vyberať.
- Používajte len propánové alebo butánové plynové fľaše (žiadny zemný plyn ani svietiplyn) s preskúšaným redukčným tlakovým ventilom a vhodnou hlavicoou. Porovnajzte údaje o tlaku na typovom štítku s údajmi o tlaku na redukčnom tlakovom ventilu propánovej alebo butánovej plynovej fľaše.
- Chladnička sa smie prevádzkovať **výlučne** s tlakom uvedeným na typovom štítku.
- Chladnička sa smie prevádzkovať **výlučne** s druhom plynu uvedeným na typovom štítku.
- Dodržujte tlaky schválené vo vašej krajine. Používajte len pevne nastavené regulátory tlaku, ktoré vyhovujú národným predpisom.



POZNÁMKA

Prípadne môžete použiť flexibilné pripájacie plynové potrubie Dometic, aby ste udržali inštaláciu bez napätia.

Chladnička musí byť samostatne uzatvárateľná prostredníctvom uzatváracieho mechanizmu v plynovom potrubí. Uzatvárací mechanizmus musí byť ľahko prístupný.

1. Spojte chladničku pevne a bez pnutia s prívodom plynu (obr. **21**, strane 11).



VÝSTRAHA! Nebezpečenstvo výbuchu

Dodržanie nasledujúcich uťahovacích momentov je veľmi dôležité:

Položka na obr. 21, strane 11	Opis
1	Skrutka M4 (Torx TX20), Uťahovací moment: 2 Nm
2	Plynová prípojka chladničky: M14 x 1,5 (d = 8 mm/ISO 8434 (DIN 2353))
3	Plynové potrubie s prstencovou spojkou (veľkosť 17) Uťahovací moment: 25 Nm

2. Po odbornej montáži nechajte autorizovaného odborníka vykonať skúšku tesnosti a plameňa.
Postarajte sa, aby vám bolo vydané osvedčenie o skúške a toto osvedčenie odovzdajte koncovému používateľovi.

5.2 Pripojenie na jednosmerný a striedavý prúd



VÝSTRAHA! Nedodržanie týchto varovaní môže mať za následok smrť alebo vážne poranenie. Nebezpečenstvo úrazu elektrickým prúdom

Elektrickú inštaláciu, ako aj opravy smie vykonávať len odborník podľa platných predpisov a noriem danej krajiny.



POZNÁMKA

- Zástrčka zariadenia nesmie byť umiestnená priamo za vetracou mriežkou, aby sa zabránilo blokovaniu cirkulácie vzduchu a zástrčka bola chránená pred striekajúcou vodou.
- Zástrčka pripájacieho kábla na striedavý prúd sa nesmie odrezať.
- Pripojovacie káble musia byť položené tak, aby sa nedostali do kontaktu s horúcimi časťami agregátu/horáka alebo s ostrými hranami.
- Zmeny na vnútornej elektroinštalácii alebo pripojenie iných elektrických súčastí (napr. externé prídavné ventilátory/vetráky) k vnútornej kabeláži chladničky vedú k zániku akýchkoľvek nárokov zo záruky a ručenia za produkt.
- Chladničky RM10.5 a RMS10.5 disponujú zbernicovým rozhraním CI a dajú sa ovládať cez kompatibilný hlavný displej vozidla.

Schéma zapojenia chladničky (obr. 22, strane 12)

Položka na obr. 22, strane 12	Opis
1	Ventilátor 1 (ak voliteľný modul je dostupný)
2	Voliteľné moduly (voliteľné)
3	Napájanie rúry jednosmerným prúdom (ak sú dostupné voliteľné moduly)
4	Napájanie výkonového modulu jednosmerným prúdom
5	NTC 2: Vonkajšia teplota (voliteľné)
6	NTC 1: Snímač teploty čerstvých potravín
7	Plynový ventil
8	Jas
9	Spínač s jazýčkovým kontaktom
10	S+ (voliteľné)
11	Ohrevný prvok na jednosmerný prúd
12	Poistka 15 A
13	Relé jednosmerného prúdu pre ohrevnú patrónu
14	Vstup plynu
15	Pripájací blok jednosmerného prúdu
16	Kábel na jednosmerný prúd pre napájanie elektroniky
17	Kábel na jednosmerný prúd pre napájanie ohrevného prvku
18	Pripojenie CI zbernice
19	Prípojka striedavého prúdu
20	Ohrevný prvok na striedavý prúd
21	Uzemnenie
22	Ochranná zem striedavého prúdu
23	Zapaľovacia elektróda
24	Výkonový modul
25	Zobrazovací modul

Jednosmerný prúd



VÝSTRAHA! Nebezpečenstvo požiaru

- Prívodné vedenie k ohrevnému prvku musí byť istené poistkou 15 A.
- Prívodné vedenie k elektronike musí byť istené poistkou 2 A.



POZOR!

Príslušné kladné a záporné napájacie káble prípojok jednosmerného napätia pre elektroniku (obr. 22 16, strane 12) a vykurovacieho telesa (obr. 22 17, strane 12) **nesmú** byť navzájom spojené a vedené na jednom vodiči. V opačnom prípade môže dôjsť k elektrickým vplyvom alebo poškodeniu elektrických súčiastok.

Dodržiavajte nasledujúce prierezy kábla (obr. 23, strane 14):

- Pripojenia ohrevného prvku:
 - <6 m (v interiéri): $\geq 6 \text{ mm}^2$
 - >6 m (v interiéri): $\geq 10 \text{ mm}^2$
 - Kábel napájaný pomocou ťažnej tyče (iba karavany): $\geq 2,5 \text{ mm}^2$
 - Pripojenia elektroniky: $\geq 0,75 \text{ mm}^2$
 - Pripojenia D+ a S+: $\geq 0,75 \text{ mm}^2$
1. Zásuvku na jednosmerné napätie zmontujte nasledovne (obr. 22, strane 12):
 - Pripojte **A** a **C** ku kladnému pólu batérie.
 - Pripojte **D** a **F** k uzemneniu.
 - Pripojte **B** k signálu D+.

Elektronika chladničky využíva signál D+ alternátora na rozpoznanie bežiacieho motora vozidla. Chladnička v automatickom režime zvolí najúspornejší prevádzkový režim, ktorý je k dispozícii. Ak motor vozidla beží, chladnička je napájaná len jednosmerným prúdom.

 - Pripojte **E** k zbernici CI-BUS.
 2. Pripojte **10** pomocou signálu S+ (voliteľné).
 3. Napájacie vedenie A chráňte pomocou 2 A poistky v rozvodnej skrinke vozidla.
 4. Napájacie vedenie C chráňte pomocou 15 A poistky v rozvodnej skrinke vozidla.
 5. Napájacie vedenie C ved'te cez relé ovládajúce zapalovanie.
Tým sa zabráni úplnému vybitiu akumulátora, ak sa motor náhodne vypne.

Striedavý prúd

- Pripojte chladničku prostredníctvom zástrčky do zásuvky na striedavý prúd.

6 Likvidácia

Recyklácia výrobkov s integrovanými batériami, nabíjateľnými batériami alebo svetelnými zdrojmi



➤ Ak výrobok obsahuje integrované batérie, nabíjateľné batérie alebo svetelné zdroje, nemusíte ich pred likvidáciou vyberať.



➤ Keď výrobok chcete definitívne vyradiť z prevádzky, informujte sa v najbližšom recyklačnom stredisku alebo u svojho špecializovaného predajcu o príslušných predpisoch týkajúcich sa likvidácie.



➤ Výrobok je možné bezplatne zlikvidovať.




Recyklácia obalového materiálu



➤ Obalový materiál dávajte podľa možnosti do príslušného recyklovateľného odpadu.

7 Technické údaje

	RM10.5(S)(T)	RMS10.5(S)(T)	RMS10.5X(S)(T)
Pripájacie napätie:	230 V~ /50 Hz 12 V==		
Kapacita			
Hrubý objem:	88 l	78 l	92 l
Chladiaca priehradka:	78,7 l	69,1 l	80,3 l
Mraziaca priehradka:	9,2 l	9,2 l	12,1 l
Celkový čistý objem:	86 l	76 l	90 l
Okrem mraziacej priehradky			
Hrubý objem:	93 l	83 l	98 l
Čistý objem:	91 l	81 l	96 l
Príkon:	135 W (230 V~) 130 W (12 V==)		
Spotreba:	2,8 kWh/24 h (230 V~)	2,5 kWh/24 h (230 V~)	3,2 kWh/24 h (230 V~)
Spotreba plynu:	270 g/24 h		
Tlak plynu:	30 mbar		
Klimatická trieda:	SN		

	RM10.5(S)(T)	RMS10.5(S)(T)	RMS10.5X(S)(T)
Rozmery V × Š × H:	821 × 523 × 548 mm		821 × 523 × 603 mm
Hmotnosť:	28 kg	27,4 kg	29 kg
Skúška/certifikát:	  		

Aktuálne EÚ vyhlásenie o zhode pre vaše zariadenie nájdete na stránke príslušného výrobku na internetovej stránke dometic.com alebo sa obráťte priamo na výrobcu (pozrite dometic.com/dealer).

Ďalšie informácie o výrobku získate prostredníctvom QR kódu na energetickom štítku na výrobku alebo na stránke eprel.ec.europa.eu.

Pečlivě si prosím přečtete a dodržujte všechny pokyny, směrnice a varování obsažené v tomto návodu k výrobku, abyste měli jistotu, že výrobek budete vždy správně instalovat, používat a udržovat. Tyto pokyny MUSÍ být uchovávány v blízkosti výrobku.

Používáním výrobku tímto potvrzujete, že jste si pečlivě přečetli všechny pokyny, směrnice a varování a že rozumíte podmínkám uvedeným v tomto dokumentu a souhlasíte s nimi. Souhlasíte s používáním tohoto výrobku pouze k určenému účelu a použití a v souladu s pokyny, směrnicemi a varováními uvedenými v tomto návodu k výrobku a v souladu se všemi příslušnými zákony a předpisy. Pokud si nepřečtete a nebudete dodržovat zde uvedené pokyny a varování, může to vést ke zranění vás i ostatních, poškození vašeho výrobku nebo poškození jiného majetku v okolí. Tento návod k výrobku, včetně pokynů, směrnic a varování a související dokumentace může být předmětem změn a aktualizací. Aktuální informace o výrobku naleznete na documents.dometic.com, dometic.com.



Podrobný provozní návod a informace o technických údajích najdete online na adrese

https://documents.dometic.com/?object_id=69924

Obsah

1	Vysvětlení symbolů	265
2	Bezpečnostní pokyny	266
3	Příslušenství	268
4	Použití v souladu s účelem	268
5	Připojení chladničky	276
6	Likvidace	280
7	Technické údaje	280

1 Vysvětlení symbolů



VÝSTRAHA!

Bezpečnostní pokyn: Označuje nebezpečnou situaci, která, pokud se jí nezabrání, může mít za následek smrt nebo vážné zranění.



UPOZORNĚNÍ!

Bezpečnostní pokyn: Označuje nebezpečnou situaci, která, pokud se jí nezabrání, může mít za následek lehké nebo středně těžké zranění.



POZOR!

Označuje nebezpečnou situaci, která, pokud se jí nezabrání, může mít za následek majetkové škody.

**POZNÁMKA**

Doplňující informace týkající se obsluhy výrobku.

2 Bezpečnostní pokyny



VÝSTRAHA! Nedodržení těchto varování by mohlo mít za následek smrt nebo vážné zranění.

Nebezpečí usmrcení elektrickým proudem

- Instalaci a odstranění chladničky smějí provádět pouze kvalifikovaní pracovníci.
- Opravy chladničky smějí provádět pouze odborníci. Nesprávně provedené opravy mohou být zdrojem značných rizik nebo poškození chladničky.
- Pokud je přívodní kabel této chladničky poškozen, musíte jej nechat vyměnit výrobcem, jeho servisním centrem nebo jinou kvalifikovanou osobou, aby nemohlo dojít k žádnému ohrožení.
- Při umístění chladničky se ujistěte, že není zachycen nebo poškozen přívodní kabel.
- Přenosné vícenásobné zásuvky nebo přenosné napájecí zdroje neumísťujte v zadní části chladničky.
- Přístroj zapojte do zásuvek, které zajišťují správné připojení, zejména pokud je třeba přístroj uzemnit.

Nebezpečí výbuchu

- Nikdy neotevírejte absorpční agregát. Je pod vysokým tlakem a může v případě otevření způsobit zranění.
- Neskladujte v chladničce výbušné látky, jako např. spreje s hnacím plynem.
- **Přístroj používejte výhradně** pod tlakem uvedeným na typovém štítku. Používejte pouze pevně nastavené regulátory tlaku, které odpovídají národním předpisům (v Evropě EN 12864).

Nebezpečí požáru

- Pokud se používá silikonová těsnicí hmota apod., dbejte na čisté zpracování beze zbytků. Pokud se silikonová vlákna dostanou do kontaktu s horkými částmi nebo otevřenými plameny, hrozí nebezpečí požáru.
- Nikdy nekontrolujte netěsnosti přístroje otevřeným plamenem.

- Používejte pouze propan nebo butan (**nikoli** zemní plyn).
- Chladivo v chladicím okruhu je vysoce hořlavé a v případě jeho úniku by mohlo dojít k nahromadění hořlavých plynů, pokud se přístroj nachází v malé místnosti.
Při jakémkoli poškození chladicího okruhu (výskytu čpavkového zápachu):
 - Otevřený oheň a potenciální zdroje zapálení udržujte mimo dosah chladničky.
 - Místnost dobře větrejte.
 - Vypněte chladničku.

Nebezpečí ohrožení zdraví

- V případě, že je přístroj viditelně poškozen, nesmíte ho používat.
- Pokud je přívodní kabel na střídavý proud tohoto přístroje poškozen, musíte jej nechat vyměnit výrobcem, zástupcem servisu nebo jinou kvalifikovanou osobou tak, aby nemohlo dojít k žádnému ohrožení.

Nebezpečí uvíznutí dětí

- Ujistěte se, že police jsou upevněny a zajištěny, aby děti nemohly samy sebe uzamknout v chladničce.
- Před likvidací chladničky:
 - Vyměňte zásuvku.
 - Nechejte v chladničce police, aby se dovnitř nemohly dostat děti.



UPOZORNĚNÍ! Nedodržení těchto upozornění by mohlo mít za následek lehké nebo střední zranění.

Nebezpečí usmrcení elektrickým proudem

- Před uvedením přístroje do provozu zkontrolujte, zda jsou přívodní kabel a zástrčka suché.

Riziko stlačení

- Nesahejte do závěsu.

Nebezpečí ohrožení zdraví

- Aby se zabránilo nebezpečí v důsledku nestability chladničky, je nutné ji upevnit v souladu s pokyny k montáži.
- Nikdy neotevírejte ani nepoškozujte chladicí okruh.



POZOR! Nebezpečí poškození

- Přístroj při přepravě přidržíte pouze za jeho těleso. Přístroj nikdy nepřidržíte za absorpční agregát, chladicí žebra, plynová potrubí, dvířka ani ovládací panel.

- Příklad: Přístroj neinstalujte v blízkosti otevřeného ohně nebo jiných tepelných zdrojů (topení, plynová kamna apod.).
- **Nebezpečí přehřátí!**
Vždy dbejte, aby bylo teplo vznikající za provozu zařízení dostatečně odváděno. Zajistěte, aby byl chladicí přístroj postaven v dostatečné vzdálenosti od stěn nebo předmětů tak, aby mohl vzduch cirkulovat.
- Porovnejte údaj o napětí na výrobním štítku se stávajícím zdrojem napájení.
- Pro připojení přístroje k síti se střídavým proudem používejte pouze příslušný přívodní kabel na střídavý proud.
- Používejte pouze kabely o odpovídajícím průřezu vedení.
- Nikdy nevytahujte zástrčku ze zásuvky tahem za přívodní kabel.
- Výrobek nesmíte vystavit dešti.

3 Příslušenství

Popis

Flexibilní plynové potrubí

Těsnění pro bezprůvanovou instalaci pro mezery 1 – 5 mm (obr. **9 B**, strana 7)

Těsnění pro bezprůvanovou instalaci pro mezery 5 – 10 mm (obr. **9 C**, strana 7)

Zimní kryt WA 130 na větrací mřížku LS 200

Kabel s adaptérem

- WAGO na CEE
- WAGO na UK
- WAGO na JST
- WAGO na MATE-N-LOK

Volitelná sada ventilátoru REF-FANKIT

Volitelný akumulátor R10-BP pro samostatný provoz na plyn

Volitelná skladovací souprava

4 Použití v souladu s účelem

Chladnička se hodí pro:

- Instalaci v karavanech a obytných vozech

- Chlazení, hluboké mrazení a uchovávání potravin

Chladnička se nehodí pro:

- Skladování léčiv
- Skladování žíravých látek nebo látek s obsahem rozpouštědel
- Rychlé mražení potravin

Chladnička je určena k instalaci do skříňky nebo instalačního výklenku.

Tato chladnička není určena k domácímu použití.

Prostor pro zmrazené potraviny je určen k uchovávání předem zmrazených potravin, k uchovávání nebo výrobě zmrzliny a k výrobě kostek ledu. Není vhodná k mražení dříve rozmrazených potravin.

Tento výrobek je vhodný pouze k určenému účelu a použití v souladu s tímto návodem.

Tento návod poskytuje informace, které jsou nezbytné pro řádnou instalaci a/nebo provoz výrobku. Nedostatečná instalace a/nebo nesprávný provoz či údržba povedou k neuspokojivému výkonu a možné závadě.

Výrobce nepřijímá žádnou odpovědnost za jakékoli zranění nebo poškození výrobku vyplývající z následujícího:

- Nesprávné sestavení nebo připojení včetně nadměrného napětí
- Nesprávná údržba nebo použití jiných náhradních dílů než původních dílů dodaných výrobcem
- Změna výrobku bez výslovného souhlasu výrobce
- Použití k jiným účelům, než jsou popsány v tomto návodu

Společnost Dometic si vyhrazuje právo změnit vzhled a specifikace výrobku.

Tento výrobek je vhodný pouze k určenému účelu a použití v souladu s tímto návodem.

Tento návod poskytuje informace, které jsou nezbytné pro řádnou instalaci a/nebo provoz výrobku. Nedostatečná instalace a/nebo nesprávný provoz či údržba povedou k neuspokojivému výkonu a možné závadě.

Výrobce nepřijímá žádnou odpovědnost za jakékoli zranění nebo poškození výrobku vyplývající z následujícího:

- Nesprávné sestavení nebo připojení včetně nadměrného napětí
- Nesprávná údržba nebo použití jiných náhradních dílů než původních dílů dodaných výrobcem
- Změna výrobku bez výslovného souhlasu výrobce

- Použití k jiným účelům, než jsou popsány v tomto návodu

Společnost Dometic si vyhradzuje právo změnit vzhled a specifikace výrobku.

Instalace chladničky



UPOZORNĚNÍ! Nebezpečí ohrožení zdraví

Aby se zabránilo nebezpečí v důsledku nestability přístroje, je nutné jej upevnit v souladu s pokyny.



Návod s pokyny k výměně dveřní zarážky a ozdobné lišty najdete online na adrese <https://dometic.com/manuals>

4.1 Příprava instalace



POZOR!

- Chladničku není přípustné instalovat do zadní části obytného vozidla s dvířky orientovanými ve směru jízdy.
- V zájmu zajištění bezpečného provozu používejte výhradně originální větrací mřížky Dometic.

Při montáži chladničky dodržujte následující pokyny:

- Ujistěte se, že podlaha je pevná a rovná.
K tomuto účelu zaparkujte vozidlo tak, aby bylo ve vodorovné poloze.
- Ujistěte se, že chladnička je rovná.
- Chladničku je nutné instalovat tak,
 - aby byla snadno přístupná pro servisní práce,
 - bylo ji možné snadno demontovat a namontovat,
 - a bez velkých nákladů z vozidla vyjmout.
- Chladničku musíte instalovat do výklenku tak, aby za pohybu vozidla zůstala pevně stát. Dodržujte následující rozměry (obr. **1**, strana 3 a obr. **2**, strana 4):

	RM10.5(S)(T)	RMS10.5(S)(T)	RMS10.5X(S)(T)
Chladnička	Celkový rozměr v mm		
Výška (A)	821	821	821
Šířka (B)	523	523	523

	RM 10.5(S)(T)	RMS10.5(S)(T)	RMS10.5X(S)(T)
Chladnička	Celkový rozměr v mm		
Hloubka (C) (bez ovládacího knoflíku 5 mm)	548	548	603
Výstupek	Rozměr v mm		
Výška (H)	≥829	≥829	≥829
Šířka (W)	≥525,5	≥525,5	≥525,5
Hloubka (D)	≥563	≥563	≥618

- Chladničku je nutné instalovat ve vzdálenosti minimálně 5 mm od podlahy, aby bylo zajištěno správné otevírání dvířek (obr. **3**, strana 4).
 - Chladničku neumísťujte přímo na podlahu.
 - Dbejte na to, aby volnému pohybu dvířek nebránily žádné koberce.
- Ve vnější stěně musí být zhotoven vstupní (obr. **4** 1, strana 4) a výstupní ventilační otvor (obr. **4** 2, strana 4) s větrací mřížkou tak, aby byl možný dobrý odvod tepla ven:
 - Ventilační otvor: Mřížku umístíte pokud možno v úrovni podlahy v instalačním výklenku.
 - Výstupní ventilační otvor: co nejdále nad chladničkou.
 - Vzdálenost mezi vstupním a výstupním ventilačním otvorem musí být minimálně 750 mm pro RM10.5 a 534 mm pro RMS10.5 (obr. **5**, strana 5).
- Nad chladničkou instalujte teplovodný plech (obr. **5** 1, strana 5), který zajistí, aby se ve vozidle nehromadilo teplo.
- Vzdálenost mezi chladničkou a zadní stěnou musí být minimálně 15 mm, nesmí však překročit 25 mm.
- Vzdálenost nad 25 mm mezi chladničkou a zadní stěnou vede ke snížení výkonu a zvýšení spotřeby elektrické energie chladničky. Prostor za chladničkou odpovídajícím způsobem zmenšete, aby se zajistil dobrý přívod i odvod vzduchu (obr. **6**, strana 5). K tomu účelu použijte např. usměrňovací plech vzduchu.

- Pokud nelze splnit minimální vzdálenost mezi přívodním a výstupním ventilačním otvorem, musí být místo výstupního otvoru instalována střešní ventilace.
 - Střešní ventilace by se měla nacházet pokud možno přímo nad zadní stranou chladničky. Je-li nutné střešní ventilaci nainstalovat s posunem, použijte vzduchový kanál (obr. **7** 1, strana 6); jinak bude docházet k akumulaci tepla.
 - Vzdálenost mezi vstupním a střešním ventilačním otvorem musí být minimálně 750 mm pro RM10.5 a 534 mm pro RMS10.5 (obr. **7**, strana 6).
 - Pokud je k dispozici střešní klimatizace, musí být vzdálenost mezi střešní ventilací (obr. **8** 1, strana 7) a výstupem vzduchu ze střešní klimatizace (obr. **8** 2, strana 7) minimálně 300 mm.
- Chladnička nesmí být instalována po stranách vstupního a výstupního ventilačního otvoru, protože by to způsobovalo špatný výkon a zvýšenou spotřebu energie chladničky.
- Vstupní a výstupní ventilační otvory nesmí být za provozu zakryty součástmi vozidla (např. otevřenými dveřmi nebo instalací příslušenství, např. držáku jízdních kol).
- Chladničku instalujte tak, aby byla chráněna před nadměrným tepelným zářením, protože to vede ke snížení výkonu a zvýšení spotřeby elektrické energie chladničky.
- Chladnička musí být nainstalována tak, aby nebyla vystavena průvanu.

4.2 Instalace chladničky na místě bez průvanu



VÝSTRAHA! Nebezpečí požáru!

K instalaci zabráňující průvanu nepoužívejte vysoce hořlavé materiály, jako jsou silikonové těsnicí hmoty, montážní pěny apod.

Plynová chladicí zařízení v karavanech nebo obytných vozech musejí být instalována tak, aby nebyla vystavena průvanu. To znamená, že spalovaný vzduch není odebírán z vnitřního prostoru a nedochází k hromadění spalin na přímém vstupu do obytného prostoru.

Mezi zadní stěnou chladničky a vnitřního prostoru vozidla musí být instalována vhodná izolace.

Výrobce doporučuje použít pružné těsnění, které usnadňuje montáž a demontáž z důvodu provádění údržby.

Vyberte jednu ze tří možností instalace se zamezením průvanu (obr. **9**, strana 8):

Dorazová lišta za chladničkou (A)

1. Přilepte flexibilní těsnicí břit manžety (**1**) k dorazové liště (**2**) za chladničkou (**3**).

2. Posuňte kombinovanou chladničku a troubu proti dorazové liště s flexibilními těsnícími břity manžety.

✓ Prostor za chladničkou je upevněn k interiéru vozidla.

Boční mezera o velikosti až 5 mm mezi chladničkou a nábytkem (B)

1. Na boční stranu nábytku (4) přilepte těsnící břity manžety (viz kap. „Příslušenství“ na strani 268).

2. Zatlačte kombinovanou chladničku a troubu proti flexibilním těsnícím břitům manžety na nábytku.

✓ Prostor za chladničkou je upevněn k interiéru vozidla.

Boční mezera o velikosti 5 až 10 mm mezi chladničkou a nábytkem (C)

1. Na boční stranu nábytku (4) přilepte dvojité břitové těsnění (viz kap. „Příslušenství“ na strani 268).

2. Zatlačte kombinovanou chladničku a troubu proti dvojitému břitovému těsnění na nábytku.

✓ Prostor za chladničkou je upevněn k interiéru vozidla.

4.3 Provedení vstupních a výstupních ventilačních otvorů



POZNÁMKA

- Odchytky od zde zobrazených variant vstupních a výstupních ventilačních otvorů musí být schváleny výrobcem.
- Za vysokých okolních teplot může chladnička dosáhnout maximálního chladicího výkonu pouze za předpokladu, že je zajištěna optimální ventilace a odvětrání.

► Vstupní ventilační otvor a výstupní ventilační otvor v zadní stěně zhotovte o velikosti 451 mm x 156 mm.

Dodržujte přitom uvedené pokyny, viz kap. „Příprava instalace“ na strani 270.

V případě, že nelze větrací mřížku vstupního ventilačního otvoru instalovat v úrovni podlahy, zhotovte vstupní ventilační otvor v podlaze. Případný uniklý plyn tak může směřovat dolů.

1. V podlaze za chladničkou v prostoru plynového hořáku zhotovte ventilační otvor minimálně o průměru 40 mm (obr. 10 1, strana 9).

2. Chraňte vnější stranu otvoru vhodnou clonou tak, aby za jízdy do otvoru nemohlo vniknout bahno nebo nečistoty (obr. 10 2, strana 9).

Je-li nutné místo výstupního ventilačního otvoru použít střešní ventilaci:

- ▶ Zhotovte výřez v rámu ve střeše. Požadovaný rozměr naleznete v návodu ke střešní ventilaci.
Dodržujte přitom uvedené pokyny, viz kap. „Příprava instalace“ na straně 270.

4.4 Montáž větrací mřížky



POZNÁMKA

V zájmu zajištění bezpečného provozu používejte výhradně originální větrací mřížky Dometic.

Č. na obr. 11 , strana 9	Popis
1	Montážní rám
2	Větrací mřížka
3	Klapka
4	Zimní kryt na větrací mřížku (příslušenství)
5	Adaptér pro hadici odtoku kondenzátu

1. Utěsněte montážní rám, aby bylo připojení vodotěsné (obr. **12**, strana 9).
2. Montážní rám nasad'te a pevně jej přišroubujte (obr. **13**, strana 9). Použijte k tomu připevňovací otvory.
3. Instalujte hadicový adaptér podle obrázku (obr. **14** 1, strana 10).
4. Vložte větrací mřížku podle vyobrazení (obr. **15**, strana 10).

4.5 Instalace odvodu kondenzátu



POZNÁMKA

- Uvnitř chladničky se může vytvářet kondenzát, a to z důvodu častého otevírání dvířek, nesprávného uchovávání potravin nebo ukládání příliš teplých pokrmů.
- Kondenzát musí být sveden v konstantním spádu.

Odtok kondenzátu instalujte následovně:

- ▶ Připojte hadičku pro odtok kondenzátu přímo k adaptéru na větrací mřížce (obr. **14** 2, strana 10).

4.6 Montáž střešní ventilace

Č. na obr. 16 , strana 10	Popis
1	Kryt
2	Montážní rám

1. Utěsněte montážní rám, aby bylo připojení vodotěsné (obr. **17**, strana 10).
2. Montážní rám nasadíte a pevně jej přišroubujete (obr. **18**, strana 11). Použijte k tomu připevňovací otvory.
3. Nasadíte kryt a pevně jej přišroubujete (obr. **19**, strana 11).

4.7 Upevnění chladničky



UPOZORNĚNÍ!

K šroubování použijte pouze určené objímky, jinak hrozí poškození zapěněných součástí, např. vedení.



POZNÁMKA

Boční stěny nebo nasazené lišty upevněte tak, aby šrouby byly dotaženy i při zvýšeném namáhání (při jízdě).

1. Chladničku přemístěte do konečné polohy.
2. Šrouby (obr. **20** 1, strana 11) zašroubujte skrz plastový plášť v bočních stěnách chladničky a dále do stěny.
3. Na hlavy šroubů nasadíte krytky (obr. **20** 2, strana 11).

5 Připojení chladničky

5.1 Připojení k přívodu plynu



VÝSTRAHA! Nedodržení těchto varování by mohlo mít za následek smrt nebo vážné zranění. Nebezpečí ohrožení zdraví

- Chladničku smí připojit k přívodu plynu pouze odborník v souladu s platnými národními předpisy a normami.
- Připojení hadicí **není** přípustné.
- Použijte těsnící kovový šroubový spoj.
- Nesmí být odstraněn plynový filtr (bílé barvy) v plynové přípojce chladničky.
- Používejte pouze propanové nebo butanové láhve (ne zemní plyn ani svítiplyn) se zkontrolovaným tlakovým redukčním ventilem a vhodnou hlavici. Porovnejte údaj o tlaku na typovém štítku s údajem o tlaku na regulátoru tlaku láhve s propanem nebo butanem.
- Chladničku používejte **výhradně** při tlaku uvedeném na typovém štítku.
- Chladničku používejte **výhradně** s takovým druhem plynu, který je uveden na typovém štítku.
- Dodržujte tlaky předepsané ve vaší zemi. Používejte pouze pevně nastavené regulátory tlaku, které odpovídají národním předpisům.



POZNÁMKA

Volitelně můžete použít flexibilní plynové spojovací potrubí, aby u instalace nedocházelo k pnutí.

Chladničku musí být možné samostatně odpojit pomocí odpojovacího zařízení v plynovém vedení. Odpojovací zařízení musí být snadno přístupné.

1. Chladničku odpojenou od napájení pevně zapojte k přívodu plynu (obr. **21**, strana 11).



VÝSTRAHA! Nebezpečí výbuchu

Je velmi důležité dodržet následující utahovací momenty:

Položka na obr. 21, strana 11	Popis
1	Šroub M4 (torx TX20), Utahovací moment: 2 Nm
2	Přípojka plynu k chladničce: M14 x 1,5 (d = 8 mm/ISO 8434 (DIN 2353))
3	Plynové potrubí s kulatou spojkou (vel. 17), Utahovací moment: 25 Nm

2. Po odborné instalaci nechejte autorizovaným odborníkem provést zkoušku těsnosti a plamenovou zkoušku.
Nechejte si vystavit osvědčení o této zkoušce a předejte jej do úschovy koncovému uživateli.

5.2 Připojení ke zdroji stejnosměrného a střídavého proudu



VÝSTRAHA! Nedodržení těchto varování by mohlo mít za následek smrt nebo vážné zranění. Nebezpečí usmrcení elektrickým proudem

Elektrická instalace a opravy musí být prováděny odborníkem v souladu s platnými národními předpisy a normami.



POZNÁMKA

- Zástrčka přístroje se nesmí nacházet přímo za větrací mřížkou, aby nedocházelo k narušení cirkulace vzduchu a aby byla tato zástrčka chráněná před stříkající vodou.
- Zástrčka přívodního kabelu, určeného k napájení střídavým proudem, nesmí být seřiznutá.
- Přívodní kabel musí být položen tak, aby nepřišel do styku s horkými částmi agregátu/hořáku ani s ostrými hranami.
- Změny na vnitřní elektrické instalaci nebo přípojce dalších elektrických komponentů (např. externího přídavného ventilátoru) na vnitřní kabeláži chladničky vedou k zániku případných nároků z odpovědnosti za vady a odpovědnosti za výrobek.
- Chladničky RM10.5 a RMS10.5 jsou vybaveny rozhraním se sběrníci CI a lze je ovládat pomocí kompatibilního centrálního displeje vozidla.

Schéma zapojení chladničky (obr. 22, strana 12)

Položka na obr. 22, strana 12	Popis
1	Ventilátor 1 (je-li k dispozici modul možností)
2	Modul možností (volitelně)
3	Napájení stejnosměrného proudu pro troubu (je-li k dispozici modul možností)
4	Modul napájení stejnosměrného proudu
5	NTC 2: Venkovní teplota (volitelné)
6	NTC 1: Snímač teploty čerstvých potravin
7	Plynový ventil
8	Osvětlení
9	Spínací kontakt Reed
10	S+ (volitelné)
11	Topné těleso stejnosměrného proudu
12	Pojistka 15 A
13	Relé stejnosměrného proudu pro topnou vložku
14	Přívod plynu
15	Připojovací blok stejnosměrného proudu
16	Přívodní kabel stejnosměrného proudu elektroniky
17	Přívodní kabel stejnosměrného proudu topného tělesa
18	Přípojka sběrnice CI
19	Přípojka na střídavý proud
20	Topné těleso střídavého proudu
21	Uzemnění
22	Ochranná kostra střídavého proudu
23	Zapalovací elektroda
24	Napájecí modul
25	Modul displeje

Stejnoseměrný proud



VÝSTRAHA! Nebezpečí požáru

- Přívodní vedení k topnému tělesu musí být chráněno pojistkou na 15 A.
- Přívodní vedení k elektronice musí být chráněno pojistkou na 2 A.



POZOR!

Příslušné kladné a záporné přívodní vedení stejnosměrného proudu elektroniky (obr. **22** 16, strana 12) a topného tělesa (obr. **22** 17, strana 12) **nesmí** být navzájem spojeny a vedeny jedním vodičem. To může způsobit elektromagnetické rušení nebo poškození elektrických součástí.

Respektujte následující průřezy vodičů (obr. **23**, strana 14):

- Připojení topného tělesa:
 - <6 m (v interiéru): $\geq 6 \text{ mm}^2$
 - >6 m (v interiéru): $\geq 10 \text{ mm}^2$
 - Vedení kabelu přes tažnou tyč (pouze u karavanů): $\geq 2,5 \text{ mm}^2$
 - Připojení elektroniky: $\geq 0,75 \text{ mm}^2$
 - Připojení D+ a S+: $\geq 0,75 \text{ mm}^2$
- Smontujte zásuvku stejnosměrného proudu následujícím způsobem (obr. **22**, strana 12):
 - Propojte **A** a **C** s kladným pólem baterie.
 - Propojte **D** a **F** ke kostře.
 - Připojte **B** k signálu D+.
Elektronika chladničky využívá k rozpoznání běžícího motoru signál D+ alternátoru. Chladnička vybere v automatickém režimu nejpříznivější provozní režim. Chladnička se provozuje pouze na stejnosměrný proud, když je motor vozidla v chodu.
 - Připojte **E** ke sběrnici CI-BUS.
 - Propojte **10** se signálem S+ (volitelné).
 - V rozdělovači vozidla použijte pojistku na 2 A pro ochranu přívodního vedení **A**.
 - V rozdělovači vozidla použijte pojistku na 15 A pro ochranu přívodního vedení **C**.
 - Přívodní vedení **C** ved'te přes relé řízené zámek zapalování.
Tím předejdete nežádoucímu úplnému vybití baterie při vypnutém motoru.

Střídavý proud

- Chladničku zapojte pomocí zástrčky do zásuvky na střídavý proud.

6 Likvidace

Recyklace výrobků s nevyměnitelnými bateriemi, dobíjecími bateriemi nebo světelnými zdroji



► Pokud výrobek obsahuje nevyměnitelné baterie, dobíjecí baterie nebo světelné zdroje, nemusíte je před likvidací odstraňovat.

► Pokud budete chtít výrobek definitivně zlikvidovat, informace o příslušném postupu v souladu s platnými předpisy pro likvidaci vám sdělí místní recyklační středisko nebo specializovaný prodejce.



► Výrobek lze bezplatně zlikvidovat.




Recyklace obalového materiálu



► Obalový materiál likvidujte v odpadu určeném k recyklaci.

7 Technické údaje

	RM10.5(S)(T)	RMS10.5(S)(T)	RMS10.5X(S)(T)
Napájecí napětí:	230 V~ /50 Hz 12 V==		
Obsah			
Obsah brutto:	88 l	78 l	92 l
Chladicí prostor:	78,7 l	69,1 l	80,3 l
Mrazicí přihrádka:	9,2 l	9,2 l	12,1 l
Celkový obsah netto:	86 l	76 l	90 l
Vyjmutí mrazicího boxu			
Obsah brutto:	93 l	83 l	98 l
Čistý objem:	91 l	81 l	96 l
Vstup napájení:	135 W (230 V~) 130 W (12 V==)		
Spotřeba elektrické energie:	2,8 kWh/24 h (230 V~)	2,5 kWh/24 h (230 V~)	3,2 kWh/24 h (230 V~)
Spotřeba plynu:	270 g/24 h		
Tlak plynové přípojky:	30 mbar		
Klimatická třída:	SN		

	RM10.5(S)(T)	RMS10.5(S)(T)	RMS10.5X(S)(T)
Rozměry V x Š x H:	821 x 523 x 548 mm		821 x 523 x 603 mm
Hmotnost:	28 kg	27,4 kg	29 kg
Zkouška/certifikát:	  		

Aktuální prohlášení o shodě EU pro vaše zařízení naleznete na stránce příslušného výrobku na webu dometic.com nebo se obraťte přímo na výrobce (viz dometic.com/dealer).

Další informace o výrobku jsou dostupné prostřednictvím QR kódu na energetickém štítku na výrobku nebo na adrese eprel.ec.europa.eu.

A termék mindenkor szakszerű telepítése, használata és karbantartása érdekében kérjük figyelmesen olvassa el az ebben a termék kézikönyvben található utasításokat, irányelveket és figyelmeztetéseket, valamint mindig tartsa be ezeket. Ezt az útmutatót a termék közelében KELL tartani.

A termék használatba vételével Ön kijelenti hogy figyelmesen elolvasta az összes utasítást, irányelvet és figyelmeztetést, valamint megértette és elfogadja az itt leírt szerződési feltételeket. Ön elfogadja, hogy kizárólag a rendeltetésének megfelelő célra és a jelen termék kézikönyvben leírt útmutatásoknak, irányelveknek és figyelmeztetéseknek, valamint a hatályos törvényeknek és szabályozásoknak megfelelően használja ezt a terméket. Az itt leírt utasítások és figyelmeztetések elolvasásának és betartásának elmulasztása saját és mások sérüléséhez, a termék vagy a közelben található más anyagi javak károsodásához vezethet. Ez a termék kézikönyv és a benne található utasítások, irányelvek és figyelmeztetések, valamint a kapcsolódó dokumentációk módosulhatnak és frissülhetnek. Naprakész termékinformációk érdekében kérjük látogasson el a következő honlapra: documents.dometic.com, [dometic.com](https://documents.dometic.com).



A részletes használati útmutatót és a műszaki adatokat online a következő honlapon találhatja meg:
https://documents.dometic.com/?object_id=69924

Tartalomjegyzék

1	Szimbólumok magyarázata	282
2	Biztonsági útmutatások	283
3	Tartozékok	285
4	Rendeltetésszerű használat	286
5	A hűtőkészülék csatlakoztatása	293
6	Ártalmatlanítás	297
7	Műszaki adatok	298

1 Szimbólumok magyarázata



FIGYELMEZTETÉS!

Biztonsági útmutatás: Veszélyes helyzetet jelöl, amely súlyos sérülést vagy halált okozhat, ha nem kerülik el.



VIGYÁZAT!

Biztonsági útmutatás: Veszélyes helyzetet jelöl, amely könnyű vagy mérsékelt sérülést okozhat, ha nem kerülik el.



FIGYELEM!

Olyan helyzetet jelöl, amely vagyoni kárt okozhat, ha nem kerülik el.



MEGJEGYZÉS

A termék kezelésére vonatkozó kiegészítő információk.

2 Biztonsági útmutatások



FIGYELMEZTETÉS! Ezeknek a figyelmeztetéseknek a figyelmen kívül hagyása súlyos, vagy halálos sérüléshez vezethet.

Áramütés miatti veszély

- A hűtőszekrény beszerelését és eltávolítását csak szakképzett személyzet végezheti.
- Ezen a hűtőszekrényen csak szakember végezhet javításokat. A szakszerűtlen javítások jelentős veszélyeket okozhatnak, ill. a hűtőszekrény károsodhat.
- Ha a hűtőszekrény tápkábele megsérült, akkor azt a biztonsági kockázatok elkerülése érdekében a gyártóval, a vevőszolgálattal vagy egy hasonlóan képzett szakemberrel ki kell cseréltetni.
- A hűtő elhelyezésekor ügyeljen arra, hogy ne csípjé be és ne károsítsa a tápkábelt.
- Ne helyezzen el több hordozható aljzatot vagy hordozható tápegységet a hűtő hátsó részénél.
- A készüléket olyan aljzatba illessze be, amely biztosítja a megfelelő csatlakozást, különösen akkor, ha a készüléket földelni kell.

Robbanásveszély

- Az abszorpciós aggregátot tilos felnyitni. Nagy nyomás uralkodik benne és felnyitáskor sérüléseket okozhat.
- Ne tároljon a hűtőszekrényben robbanásveszélyes anyagokat, például gyúlékony hajtógázt tartalmazó spray-palackokat.
- A készüléket **csak** az adattáblán megadott nyomással üzemeltesse. Csak olyan fix beállítású nyomásszabályozót használjon, mely megfelel az országos előírásoknak (Európában: EN 12864).

Tűzveszély

- Amikor szilikon tömítőanyagot, vagy hasonlót használ, ügyeljen a tiszta és maradványmentes felvitelre. A szilikonszálak forró alkatrészekkel, vagy nyílt lánggal érintkezve tűzveszélyt okozhatnak.
- Soha ne ellenőrizze a készülék tömítettségét nyílt lánggal.

- Csak propán- vagy butángázt (földgázt **ne**) használjon.
- A hűtőközeg körben lévő hűtőközeg erősen gyúlékony, és ha a készülék kis méretű helyiségben van, szivárgás esetén gyúlékony gázok képződhetnek.
A hűtőkör sérülése esetén (ez az ammóniaszagról ismerhető fel):
 - Tartsa távol a hűtőszekrénytől a nyílt lángokat és a lehetséges szikraforrásokat.
 - Alaposan szellőztesse a helyiséget.
 - Kapcsolja ki a hűtőszekrényt.

Egészségkárosodás veszélye

- Ha a készüléken látható sérülések vannak, akkor a készüléket nem szabad üzembe helyezni.
- Ha a hűtőszekrény váltakozó áramú tápkábele megsérült, akkor azt a biztonsági kockázatok elkerülése érdekében a gyártóval, a szervizzel vagy egy hasonlóan képzett szakemberrel ki kell cseréltetni.

Gyermekek beszorulásának kockázata

- Gondoskodjon arról, hogy a polcok beszerelése és rögzítése révén a gyermekek ne tudják bezárni magukat a hűtőszekrénybe.
- A régi hűtőkészülék ártalmatlanítása előtt:
 - Szerelje ki a fiókot.
 - Hagyja a polcokat a hűtőszekrényben, hogy gyermekek ne mászhassanak bele.



VIGYÁZAT! Ezeknek a felhívásoknak a figyelmen kívül hagyása könnyű vagy mérsékelt sérüléshez vezethet.

Áramütés miatti veszély

- Üzembe helyezés előtt ügyeljen arra, hogy a vezeték és a dugasz száraz legyen.

Zúzódsveszély

- Ne nyúljon a zsanérok közé.

Egészségkárosodás veszélye

- A hűtőszekrény instabilitása miatti kockázatok elkerülése érdekében a telepítési utasításoknak megfelelően kell rögzíteni azt.
- Semmilyen esetben ne nyissa fel vagy károsítsa a hűtőkört.



FIGYELEM! Károsodás veszélye

- A szállításkor kizárólag a testénél fogva mozgassa a készüléket. A készüléket tilos az abszorbernél, a hűtőbordáknál, a gázvezetékeknél, vagy a kezelőlemeznél fogva mozgatni.

- Ne építse be a készüléket nyílt láng vagy más hőforrás közelébe (fűtés, gázkályha stb.).
- **Túlmelegedés veszélye!**
Mindig ügyeljen arra, hogy az üzemeltetés során keletkező hő kielégítően eltávozhasson. A levegő keringtetése érdekében gondoskodjon arról, hogy a készülék megfelelő távolságra legyen a faltól vagy tárgytól.
- Ellenőrizze, hogy az adattáblán feltüntetett feszültségadat megegyezik-e a áramellátás feszültségadatával.
- A készüléket csak a mellékelt váltakozó áramú csatlakozókábellel csatlakoztassa a váltakozó áramú aljzathoz.
- Csak megfelelő keresztmetszetű kábelt használjon.
- Soha ne húzza ki a csatlakozódugót a csatlakozókábelnél fogva az aljzathoz.
- A készüléket védje az esőtől.

3 Tartozékok

Leírás

Rugalmas gázvezeték

Szivárgásmentes beszerelést biztosító tömítés 1 – 5 mm-es hézagokhoz (9. ábra B, 7. oldal)

Szivárgásmentes beszerelést biztosító tömítés 5 – 10 mm-es hézagokhoz (9. ábra C, 7. oldal)

WA 130 téli burkolat LS 200 szellőzőrácshoz

Adapterkábel

- WAGO – CEE
- WAGO – UK
- WAGO – JST
- WAGO – MATE-N-LOK

Opcionális REF-FANKIT ventilátorkészlet

Opcionális R10-BP akkumulátorok önálló gáz üzemmódhoz

Opcionális tárolókészlet

4 Rendeltetésszerű használat

A hűtőszekrény a következő célokra alkalmas:

- Lakókocsikba és lakóautókba történő beépítésre
- Élelmiszerek hűtésére, fagyasztására és tárolására

A hűtőszekrény a következő célokra nem alkalmas:

- Gyógyszerek tárolása
- Korrozív anyagok vagy olyan anyagok tárolása, amelyek oldószereket tartalmaznak
- Élelmiszer gyorsfagyasztása

A hűtőszekrényt rendeltetésének megfelelően egy szekrénybe vagy fülkébe kell beszerelni.

Ez a hűtőszekrény nem alkalmas háztartási készülékként történő használatra.

A fagyasztórekesz előre fagyasztott élelmiszer tárolására, jégkrém készítésére és tárolására és jégkockák készítésére alkalmas. Korábban le nem fagyasztott élelmiszer lefagyasztására nem alkalmas.

Ez a termék az itt leírt utasításoknak megfelelő rendeltetésszerű használatra alkalmas.

Ez a kézikönyv olyan információkat nyújt, amelyek a termék szakszerű telepítéséhez és/vagy üzemeltetéséhez szükségesek. A hibás telepítés és/vagy a szakszerűtlen üzemeltetés vagy karbantartás elégtelen teljesítményhez és potenciálisan meghibásodáshoz vezethet.

A gyártó nem vállal felelősséget a termék olyan károsodásáért, vagy sérülésekért, amelyek a következőkre vezethetők vissza:

- Hibás összeszerelés vagy csatlakoztatás, ideértve a túlfeszültséget is
- Helytelen karbantartás, vagy a gyártó által szállított eredeti cserealkatrészekből eltérő cserealkatrészek használata
- A termék kifejezett gyártói engedély nélküli módosítása
- Az útmutatóban leírt céloktól eltérő felhasználás

A Dometic fenntartja a termék megjelenésének és specifikációjának módosítására vonatkozó jogát.

Ez a termék az itt leírt utasításoknak megfelelő rendeltetésszerű használatra alkalmas.

Ez a kézikönyv olyan információkat nyújt, amelyek a termék szakszerű telepítéséhez és/vagy üzemeltetéséhez szükségesek. A hibás telepítés és/vagy a szakszerűtlen üzemeltetés vagy karbantartás elégtelen teljesítményhez és potenciálisan meghibásodáshoz vezethet.

A gyártó nem vállal felelősséget a termék olyan károsodásáért, vagy sérülésekért, amelyek a következőkre vezethetők vissza:

- Hibás összeszerelés vagy csatlakoztatás, ideértve a túlfeszültséget is
- Helytelen karbantartás, vagy a gyártó által szállított eredeti cserealkatrészekből eltérő cserealkatrészek használata
- A termék kifejezett gyártói engedély nélküli módosítása
- Az útmutatóban leírt céloktól eltérő felhasználás

A Dometic fenntartja a termék megjelenésének és specifikációjának módosítására vonatkozó jogát.

A hűtőszekrény beépítése



VIGYÁZAT! Egészségkárosodás veszélye

A készülék instabilitása miatti kockázatok elkerülése érdekében az utasításoknak megfelelően rögzíteni kell azt.



Az ajtóütköző és a dekorlapok cseréjéhez az útmutatót online találja:

<https://dometic.com/manuals>

4.1 A beszerelés előkészítése



FIGYELEM!

- A hűtőszekrény nem telepíthető lakóautók hátsó részében, úgy hogy az ajtaja menetirányba néz.
- A biztonságos üzemelés érdekében kizárólag eredeti Dometic szelőlőzőrácsokat használjon.

A hűtőszekrény beszerelése során vegye figyelembe a következő megjegyzéseket:

- Biztosítsa, hogy a talaj szilárd és sík legyen. Ezért egyenletes, vízszintes talajon parkoljon le a járművel.
- Biztosítsa, hogy a hűtőszekrény vízszintesen álljon.
- A hűtőszekrényt úgy kell telepíteni, hogy
 - szervizeléshez könnyen hozzá lehessen férni
 - könnyű legyen le- és visszaszerelni
 - könnyen el lehessen távolítani a járműből

- A hűtőszekrényt valamilyen bemélyedésbe kell beszerezni, hogy a jármű mozgása során stabilan álljon. Vegye figyelembe a **(1)**. ábra, 3. oldal és a **(2)**. ábra, 4. oldal) méreteket:

	RM10.5(S)(T)	RMS10.5(S)(T)	RMS10.5X(S)(T)
Hűtőszekrény			
Külső méretek mm-ben			
Magasság (A)	821	821	821
Szélesség (B)	523	523	523
Mélység (C) (az 5 mm-es vezérlőgomb nélkül)	548	548	603
Bemélyedés			
Méretek mm-ben			
Magasság (H)	≥829	≥829	≥829
Szélesség (W)	≥525,5	≥525,5	≥525,5
Mélység (D)	≥563	≥563	≥618

- Annak érdekében hogy az ajtó megfelelően nyitható legyen, a hűtőszekrényt a padlótól legalább 5 mm távolságra kell felállítani (**(3)**. ábra, 4. oldal).
 - Ne helyezze közvetlenül a padlóra a hűtőszekrényt.
 - Ügyeljen arra, hogy semmilyen szőnyeg ne akadályozza az ajtó szabad mozgását.
- A keletkező hő kültér felé való jó átadhatósága érdekében a külső falban szellőzőráccsal rendelkező bemeneti szellőzőnyílást (**(4)**. ábra 1, 4. oldal) és kimeneti szellőzőnyílást (**(4)**. ábra 2, 4. oldal) kell kialakítani:
 - Bemenő szellőzőnyílás: A szellőzőrács a lehető legjobban illeszkedjen a beépítőfülke aljához.
 - Kiáramló levegő nyílása: lehetőleg magasan a hűtőszekrény fölött legyen elhelyezve.
 - Az RM10.5 modellnél beáramló levegő nyílása és a kiáramló levegő nyílása között legalább 750 mm, az RMS10.5 modellnél pedig 534 mm távolságnak kell lennie (**(5)**. ábra, 5. oldal).
- A hűtőszekrény felett helyezzen el egy hővezető lemezt (**(5)**. ábra 1, 5. oldal), hogy a meleg levegő ne torlódjon fel a járműben.
- A hűtőszekrény és a hátfal között legalább 15 mm, de legfeljebb 25 mm távolságnak kell lennie.

- Ha a hűtőszekrény és a hátfal között 25 mm-nél nagyobb a távolság, az a hűtőszekrény teljesítménycsökkenéséhez és megnövekedett energiafogyasztáshoz vezet. A levegő megfelelő be-, és kiáramlásának biztosítása érdekében csökkentse le a hűtőszekrény mögötti tér méretét (**6** . ábra, 5. oldal). Ehhez használjon például egy légtérelő lemezt.
- Ha nem tartja be a beáramló levegő nyílása és a kiáramló levegő nyílása közötti minimális távolságot, akkor a kiáramló levegő nyílása helyett tetőszellőzést kell kialakítani.
 - A tetőszellőzésnek lehetőség szerint közvetlenül a hűtőszekrény hátoldala felett kell lennie. Ha ettől eltérő helyre kívánja elhelyezni a tetőszellőzést, akkor használjon levegőcsatornát (**7** . ábra 1, 6. oldal), ellenkező esetben a hó feltorlódhat.
 - Az RM10.5 modellnél beáramló levegő nyílása és a tetőnyílás között legalább 750 mm, az RMS10.5 modellnél pedig 534 mm távolságnak kell lennie (**7** . ábra, 6. oldal).
 - Ha a járművön tetőklímaberendezés található, akkor a tetőszellőzés (**8** . ábra 1, 7. oldal) és a tetőklímaberendezés levegőkifúvónyílása (**8** . ábra 2, 7. oldal) között legalább 300 mm távolságnak kell lennie.
- A hűtőszekrényt nem szabad a levegőbeszívó-, és kifúvó nyílásokhoz képest oldalt beépíteni, mivel ez a hűtőszekrény teljesítménycsökkenését és megnövekedett energiafogyasztását eredményezi.
- A be- és kimenő szellőzőnyílást az üzemeltetés során a jármű alkatrészei nem takarhatják el (pl. nyitott ajtó, vagy olyan tartozékok ráépítése, mint kerékpártartó).
- Olyan helyre telepítse a hűtőszekrényt, ahol nem éri túl nagy hőhatás, mivel ez a hűtőszekrény teljesítménycsökkenését és megnövekedett energiafogyasztását eredményezi.
- A hűtőszekrényt huzatmentes helyre kell telepíteni.

4.2 A hűtőszekrény huzatmentes beépítése



FIGYELMEZTETÉS! Tűzveszély!

A huzatmentes beszereléshez ne használjon gyúlékony anyagokat, például szilikonos tömítőanyagokat, szerelőhabot vagy hasonlót.

A lakókocsikban vagy lakóautókban használt gázüzemű hűtőszekrényeket huzatmentesen kell beépíteni. Ez azt jelenti, hogy az égési levegő nem vehető el a beltérből, és a füstgázok lakótérbe való közvetlen bejutását meg kell akadályozni.

A hűtőszekrény hátoldala és a jármű beltére között megfelelő szigetelést kell elhelyezni.

Célszerű rugalmas tömítőanyagokat használni, amelyek a karbantartási céllal történő be-, és kiszerezést egyszerűvé teszik.

Alkalmazza a következő ábrán szemléltetett három szivárgásmentes beépítési módszer egyikét: **(9)**. ábra, 8. oldal):

Ütközőlécz a hűtőszekrény mögött (A)

1. Ragassza a rugalmas tömítőajkakat **(1)** a hűtőszekrény **(3)** mögé egy ütközőlécre **(2)**.
2. Tolja rá a hűtőszekrény-sütő kombinációt a rugalmas tömítőajkakkal ellátott ütközőlécekre.

✓ A hűtőszekrény mögötti terület el van szigetelve a jármű belső terétől.

Legfeljebb 5 mm-es oldalsó hézag a hűtőszekrény és a bútor között (B)

1. Ragassza a tömítőajkakat (lásd: „Tartozékok” fejr., 285. oldal) a bútor oldalára **(4)**.
2. Tolja rá a hűtőszekrény-sütő kombinációt a bútoron lévő rugalmas tömítőajkakra.

✓ A hűtőszekrény mögötti terület el van szigetelve a jármű belső terétől.

5 - 10 mm-es oldalsó hézag a hűtőszekrény és a bútor között (C)

1. Ragassza a duplaajkú tömítést (lásd: „Tartozékok” fejr., 285. oldal) a bútor oldalára **(4)**.
2. Tolja rá a hűtőszekrény-sütő kombinációt a bútoron lévő duplaajkú tömítésre.

✓ A hűtőszekrény mögötti terület el van szigetelve a jármű belső terétől.

4.3 Be- és kimenő szellőzőnyílások elkészítése



MEGJEGYZÉS

- A ki- és bemenet változatai közötti eltéréseket az alábbi ábra szemlélteti, azokhoz a gyártó jóváhagyása szükséges.
- Magas környezeti hőmérsékletek esetén a hűtőszekrény csak optimális be- és kimenő szellőztetés esetén képes maximális hűtőteljesítménye leadására.

► Készítsen egy be-, és egy kimenő szellőzőnyílást a külső falba 451 mm x156 mm. Vegye figyelembe a megjegyzéseket is, lásd: „A beszerelés előkészítése” fejr., 287. oldal.

Ha a bemenő szellőzőnyílás szellőzőrácsa nem építhető be tömítetten a bemélyedésbe, akkor a padlóba szellőzőnyílást kell építeni. Így az esetlegesen kiszivárgó gáz lefelé fog folyni.

1. Készítsen a hűtőszekrény mögött a gázegő területén egy legalább 40 mm átmérőjű levegőbevezető nyílást a padlóban (10. ábra 1, 9. oldal).
2. Takarja le a nyílás külső részét terelőelemmel, hogy az utazás során szennyeződés vagy sár ne juthasson be rajta keresztül (10. ábra 2, 9. oldal).

Ha a levegőkifúvó nyílás helyett tetőszellőzést kell használnia:

- Készítsen egy keretes kivágást a tetőbe. A megfelelő méretezést a tetőszellőző útmutatójában találhatja meg.
Vegye figyelembe a megjegyzéseket is, lásd: „A beszerelés előkészítése” fej., 287. oldal.

4.4 A szellőzőrács felszerelése



MEGJEGYZÉS

A biztonságos üzemelés érdekében kizárólag eredeti Dometic szellőzőrácsokat használjon.

Sz., itt: 11. ábra, 9. oldal	Leírás
1	Beépítési keret
2	Szellőzőnyílás
3	Tolózár
4	Téli burkolat a szellőzőrács számára (tartozékok)
5	Adapter a kondenzátum levezetőcsőhöz

1. Tömítse a szerelőkeretet, hogy a csatlakozás vízálló legyen (12. ábra, 9. oldal).
2. Helyezze be a beépítési keretet és csavarokkal rögzítse azt (13. ábra, 9. oldal). Ehhez az összes rögzítőfuratot vegye igénybe.
3. Az tömlő adaptert a következő ábrán látható módon szerelje fel: (14. ábra 1, 10. oldal).
4. A szellőzőrácsot az ábrán látható módon illesztheti vissza (15. ábra, 10. oldal).

4.5 A kondenzvíz-elvezető cső beszerelése



MEGJEGYZÉS

- A gyakori ajtónyitás, a nem megfelelően tárolt élelmiszerek és a behelyezéskor túlságosan meleg ételek miatt kondenzáció képződhet a hűtőszekrény belsejében.
- A kondenzvizet állandó lejtés mellett szükséges elvezetni.

Szerelje be a kondenzvíz-elvezető csövet az alábbi módon:

- ▶ Rögzítse a kondenzációs tömlőjét közvetlenül a szellőzőrácsra lévő adapterhez (14. ábra 2 10. oldal).

4.6 A tetőszellőző szerelése

Sz., itt:

16. ábra,
10. oldal

Leírás

1	Fedél
2	Beépítési keret

1. Tömítse a szerelőkeretet, hogy a csatlakozás vízálló legyen (17. ábra, 10. oldal).
2. Helyezze be a beépítési keretet és csavarokkal rögzítse azt (18. ábra, 11. oldal). Ehhez az összes rögzítőfuratot vegye igénybe.
3. Helyezze fel a fedelet és csavarokkal rögzítse azt (19. ábra, 11. oldal).

4.7 A hűtőszekrény rögzítése



VIGYÁZAT!

A furatokat minden esetben az erre a célra szolgáló perselyekbe készítse, ellenkező esetben a habanyaggal rögzített alkatrészek, például a kábelek megsérülhetnek.



MEGJEGYZÉS

Az oldalfalakat vagy a felszerelt léceket úgy rögzítse, hogy a csavarok erősebb igénybevétel esetén (menet közben) is szilárdan rögzítsenek.

1. Helyezze végleges helyzetébe a hűtőszekrényt.
2. A hűtőszekrény oldalfalában található műanyag perselyen át tekerje be a csavarokat (20. ábra 1, 11. oldal) a fülke falába.

3. Helyezze fel a fedőkupakokat (20. ábra 2, 11. oldal) a csavarfejekre.

5 A hűtőkészülék csatlakoztatása

5.1 Csatlakozás a gázellátásra



FIGYELMEZTETÉS! Ezeknek a figyelmeztetéseknek a figyelmen kívül hagyása súlyos, vagy halálos sérüléshez vezethet. Egészségkárosodás veszélye

- A hűtőszelekrényt csak szakember, a hatályos országos előírások és szabványok betartásával csatlakoztathatja a gázellátásra.
- Tömlőcsatlakozás használata **tilos**.
- Fémzáras csavarokkal végezze a csatlakoztatást.
- Semmiképpen ne vegye le a hűtőszelekrény gázcsatlakozásán található (fehér) gázszűrőt.
- Csak ellenőrzött nyomáscsökkentő szeleppel és megfelelő fejrésszel rendelkező propán- vagy butángázpalackokat (földgázt vagy közüzemi gázt ne) használjon. Hasonlítsa össze az adattáblán lévő nyomásadatot a propán- vagy butángázpalack nyomásszabályozóján lévő nyomásadattal.
- A hűtőszelekrény **kizárólag** az adattáblán megadott nyomással üzemeltethető.
- A hűtőszelekrény **kizárólag** az adattáblán megadott gáztípussal üzemeltethető.
- Vegye figyelembe a helyileg engedélyezett nyomásokat. Csak olyan fix beállítású nyomásszabályozót használjon, amely megfelel a nemzeti előírásoknak.



MEGJEGYZÉS

Opcionálisan a Dometic rugalmas gázcsatlakozó tömlője is használható, hogy a telepítésnél elkerülhesse a megfeszítéseket.

A hűtőszelekrénynek a gázvezetékbe szerelt záróberendezésen keresztül külön elzárhatónak kell lennie. A záróberendezésnek könnyen hozzáférhetőnek kell lennie.

1. A hűtőszelekrényt stabilan és feszülésmentesen csatlakoztassa a gázellátó hálózat-hoz (21. ábra, 11. oldal).



FIGYELMEZTETÉS! Robbanásveszély

Kiemelten fontos a következő meghúzási nyomatékok betartása:

Tétel itt: **21.** ábra, 11. oldal **Leírás**

1	M4 csavar (Torx TX20), Meghúzási nyomaték: 2 Nm
2	A hűtőszekrény gázcsatlakozása: M14 x 1,5 (d = 8 mm/ISO 8434 (DIN 2353))
3	Gázvezeték gyűrűs tengellyel (17-es méret), Meghúzási nyomaték: 25 Nm

- A szakszerű beszerelést követően végeztesen szivárgási és tömítettségi ellenőrzést egy arra illetékes szakemberrel.
Szerezze be az ellenőrzési tanúsítványt és adja át ezt megőrzésre a végfelhasználónak.

5.2 Csatlakoztatás egyenáramú és váltakozó áramú aljzathoz



FIGYELMEZTETÉS! Ezeknek a figyelmeztetéseknek a figyelmen kívül hagyása súlyos, vagy halálos sérüléshez vezethet. Áramütés miatti veszély

Az elektromos telepítési és javítási munkákat a hatályos országos előírások és szabványok betartása mellett kizárólag villanszerelő szakember végezheti el.



MEGJEGYZÉS

- Ne helyezze a készülék dugaszát közvetlenül a szellőzőrács mögé, mert az akadályozná a légáramlást, és víz fröccsenhetne a készülék dugaszára.
- A készülék váltakozó áramú csatlakozókábelének dugaszát tilos lerövidíteni.
- A csatlakozókábelt úgy kell vezetni, hogy az ne érjen hozzá az aggregát/égőfej forró alkatrészeihez vagy az éles szegélyekhez.
- A belső elektromos szerelvények módosítása vagy a hűtőszekrény belső kábelezéséhez egyéb elektromos komponens csatlakoztatása (pl. külső kiegészítő ventilátor) az összes szavatossági és garanciális igény érvénytelenné válásához vezet.
- Az RM10.5 és az RMS10.5 hűtőszekrény CI busz felülettel rendelkezik, amely egy azzal kompatibilis központi jármű-kijelzőről vezérelhető.

A hűtőszekrény kapcsolási rajza (22. ábra, 12. oldal)

Tétel itt: 22. ábra, 12. oldal	Leírás
1	1. ventilátor (ha az opcionális modul elérhető)
2	Opcionális modul (opció)
3	Egyenáramú sűtő tápellátás (ha az opcionális modul elérhető)
4	Egyenáramú tápmodul
5	NTC 2: külső hőmérséklet (opcionális)
6	NTC 1: Friss élelmiszer hőmérséklet érzékelő
7	Gázcsap
8	Világítás
9	Reed kapcsoló
10	S+ (választható)
11	Egyenáramú fűtőelem
12	15 A biztosíték
13	Egyenáramú relé a fűtőpatronhoz
14	Gáz bemenet

Tétel itt:**22. ábra,
12. oldal****Leírás**

15	Egyenáramú csatlakozóblokk
16	Egyenáramú elektronika tápkábel
17	Fűtőelem egyenáramú tápkábele
18	CI busz kapcsolat
19	Váltakozó áramú csatlakozó
20	Váltakozó áramú fűtőelem
21	Földelés
22	Váltakozó áramú védőföldelés
23	Gyűjtőelektróda
24	Hálózati modul
25	Kijelzőmodul

Egyenáram**FIGYELMEZTETÉS! Tűzveszély**

- A fűtőelem tápvezetékét 15 A-es biztosítókkal kell ellátni.
- Az elektronika tápvezetékét 2 A-es biztosítókkal kell ellátni.

**FIGYELEM!**

Az elektronika egyenáramú csatlakozóinak pozitív és negatív tápvezetékei (22. ábra 16, 12. oldal), valamint a fűtőegység (22. ábra 17, 12. oldal) **nem** csatlakoztathatók egymáshoz és nem köthetők egyetlen éren. Ellenkező esetben az elektromos alkatrészek zavaró elektromos impulzusokat kaphatnak, illetve károsodhatnak.

Vegye figyelembe a következő vezeték-keresztmetszeteket (23. ábra, 14. oldal):

- Csatlakozás, fűtőelem:
 - <6 m (beltérben): $\geq 6 \text{ mm}^2$
 - >6 m (beltérben): $\geq 10 \text{ mm}^2$
 - Kábelbevezetés vonórúdon keresztül (csak lakókocsiánál): $\geq 2,5 \text{ mm}^2$
- Csatlakozások, elektronika: $\geq 0,75 \text{ mm}^2$
- D+ és S+ csatlakozások: $\geq 0,75 \text{ mm}^2$

1. A következőképpen szerelje össze az egyenáramú aljzatot (22. ábra, 12. oldal):
 - Csatlakoztassa az **A** és a **C** csatlakozót az akkumulátor pozitív pólusára.
 - Csatlakoztassa a **D** és az **F** csatlakozót a földelésre.
 - Csatlakoztassa a **B** csatlakozót a D+ jelhez.
Az üzemelő járműmotor felismerésére a hűtőszekrény elektronikája a generátor D+ jelét használja. A hűtőszekrény automatikus üzemmódban kiválasztja a legtakarékosabb rendelkezésre álló üzemelési lehetőséget. Ha a jármű motorja üzemel, akkor a hűtőszekrény csak egyenáramról működik.
 - Csatlakoztassa az **E** csatlakozót a CI-buszra.
2. Csatlakoztassa a **10** csatlakozót az S+ jelhez (opcionális).
3. Védje az **A** tápvezetékét 2 A-es biztosítókkal a jármű áramelosztó dobozában.
4. Védje a **C** tápvezetékét 15 A-es biztosítókkal a jármű áramelosztó dobozában.
5. Vezesse át egy gyújtásvezérelt relén a **C** tápvezetékét.
Ez megakadályozza, hogy teljesen lemerüljön az akkumulátor, ha véletlenül lekapcsolják a motort.

Váltakozó áram

- ▶ Csatlakoztassa a hűtőszekrény csatlakozódugaszát egy váltakozó áramú aljzathoz.

6 Ártalmatlanítás

Nem cserélhető elemeket, akkumulátorokat vagy fényforrásokat tartalmazó termékek újrahasznosítása



- ▶ Ha a termék nem cserélhető elemeket, akkumulátorokat vagy fényforrásokat tartalmaz, azokat nem kell eltávolítani az ártalmatlanítás előtt.



- ▶ A termék végleges üzemen kívül helyezése esetén tájékozódjon a legközelebbi újrahasznosító központban vagy szakkereskedőjénél a vonatkozó ártalmatlanítási előírásokról.






- ▶ A termék ingyenesen ártalmatlanítható.

Csomagolóanyagok újrahasznosítása



- ▶ A csomagolóanyagot lehetőleg a megfelelő újrahasznosítható hulladékokhoz tegye.

7 Műszaki adatok

	RM10.5(S)(T)	RMS10.5(S)(T)	RMS10.5X(S)(T)
Csatlakozási feszültség:	230 V~ /50 Hz 12 V==		
Kapacitás			
Bruttó kapacitás:	88 l	78 l	92 l
Hűtőrekesz:	78,7 l	69,1 l	80,3 l
Fagyasztórekesz:	9,2 l	9,2 l	12,1 l
Teljes nettó kapacitás:	86 l	76 l	90 l
Fagyasztórekesz nélkül			
Bruttó kapacitás:	93 l	83 l	98 l
Nettó úrtartalom:	91 l	81 l	96 l
Áramellátás bemenet:	135 W (230 V~) 130 W (12 V==)		
Energiafogyasztás:	2,8 kWh/24 h (230 V~)	2,5 kWh/24 h (230 V~)	3,2 kWh/24 h (230 V~)
Gázfogyasztás:	270 g / 24 óra		
A gázcsatlakoztatás nyomása:	30 mbar		
Klímaosztály:	SN		
Méreték (szélesség x magasság x mélység):	821 x 523 x 548 mm		821 x 523 x 603 mm
Súly:	28 kg	27,4 kg	29 kg
Vizsgálat/tanúsítvány:	  		

Készüléke aktuális EU-megfelelőségi nyilatkozatát a dometic.com honlap megfelelő termékoldalán találhatja meg, vagy vegye fel a kapcsolatot közvetlenül a gyártóval (lásd: dometic.com/dealer).

További termékinformációkat a terméken elhelyezett energiacímkén található QR kód beolvasásával, vagy az eprel.ec.europa.eu honlapon kaphat.

Pažljivo pročitajte ove upute i poštujte sve upute, smjernice i upozorenja sadržane u ovim uputama kako biste u svakom trenutku osigurali pravilnu instalaciju, uporabu i održavanje proizvoda. Ove upute MORAJU ostati u blizini uređaja.

Uporabom proizvoda potvrđujete da ste pažljivo pročitali sve upute, smjernice i upozorenja te da razumijete i pristajete poštovati ovdje navedene uvjete i odredbe. Pristajete koristiti ovaj proizvod samo za predviđenu svrhu i namjenu te u skladu s uputama, smjernicama i upozorenjima navedenima u ovom priručniku za proizvod, kao i u skladu sa svim važećim zakonima i propisima. Ako ne pročitate i ne poštujete ovdje navedene upute i upozorenja, tada to može dovesti do ozljeđivanja vas i drugih osoba, do oštećenja proizvoda ili druge imovine u blizini. Ovaj priručnik za proizvod, uključujući i upute, smjernice i upozorenja, te povezanu dokumentaciju može biti podložan promjenama i ažuriranjima. Za najnovije podatke o proizvodu posjetite documents.dometic.com.



Detaljne upute za rukovanje i informacije o tehničkim podacima možete pronaći na Internetu na adresi
https://documents.dometic.com/?object_id=69924

Sadržaj

1	Objašnje simbola	299
2	Sigurnosne upute	300
3	Dodatni pribor	302
4	Namjenska uporaba	303
5	Povezivanje hladnjaka	310
6	Odlaganje u otpad	314
7	Tehnički podaci	314

1 Objasnje simbola



UPOZORENJE!

Sigurnosna uputa: Naznačuje opasnu situaciju, koja bi, ako se ne izbjegne, mogla rezultirati smrću ili teškim ozljedama.



OPREZ!

Sigurnosna uputa: Naznačuje opasnu situaciju, koja bi, ako se ne izbjegne, mogla rezultirati lakšim ili umjerenim ozljedama.



POZOR!

Naznačuje situaciju, koja, ako se ne izbjegne, može rezultirati materijalnom štetom.

**UPUTA**

Dodatne informacije za rukovanje proizvodom.

2 Sigurnosne upute



UPOZORENJE! Nepoštivanje ovih upozorenja moglo bi dovesti do smrti ili teške ozljede.

Opasnost od strujnog udara

- Montažu i demontažu hladnjaka smije provoditi samo kvalificirano osoblje.
- Hladnjak smije popravljati samo kvalificirano osoblje. Npropisno izvedeni popravci mogu dovesti do znatne opasnosti ili oštećenja hladnjaka.
- Ako je priključni kabel ovog hladnjaka oštećen, mora ga zamijeniti proizvođač, njegov servis ili druga slično kvalificirana osoba da bi se izbjegle moguće opasnosti.
- Kada postavljate hladnjak, provjerite da kabel napajanja nije priklješten ili oštećen.
- Ne postavljajte višestruke utičnice ili prijenosna napajanja na stražnju stranu hladnjaka.
- Utikačem spojite uređaj u utičnice koje osiguravaju pravilan priključak posebice ako uređaj treba biti uzemljen.

Opasnost od eksplozije

- Nikad ne otvarajte jedinicu apsorbera. Ona je pod visokim tlakom i možete prouzročiti ozljede ako ju se otvori.
- U hladnjak nemojte odlagati eksplozivne tvari kao što su npr. sprejevi s potisnim plinom.
- Uređaj treba raditi **samo** pod tlakom koji je prikazan na tipskoj pločici. Upotrebljavajte samo regulator tlaka s fiksnim postavkama koje su u skladu s državnim propisima (u Europi EN 12864).

Opasnost od požara

- Tijekom rukovanja pripremite da su vam ruke čiste i bez tragova sredstva ako ste upotrebljavali silikonska brtvila ili slična sredstva. Postoji opasnost od požara ako silikonski dijelovi dođu u kontakt s vrućim dijelovima ili otvorenim plamenom.

- Nikada nemojte pokušavati otkrivati curenje iz uređaja otvorenim plamenom.
- Upotrebljavajte samo propan ili butan (**ne** prirodni plin).
- Rashladno sredstvo u krugu rashladnog sredstva iznimno je zapaljivo i u slučaju curenja može doći do nastanka zapaljivih plinova ako je uređaj u maloj prostoriji.
U slučaju bilo kakva oštećenja kruga rashladnog sredstva (miris amonijaka):
 - Otvoreni plamen i moguće izvore zapaljenja držite podalje od hladnjaka.
 - Dobro prozračite prostoriju.
 - Isključite hladnjak.

Opasnost za zdravlje

- Nemojte koristiti ovaj uređaj ako na njemu ima vidljivih oštećenja.
- Ako je priključni kabel izmjenične struje ovog hladnjaka oštećen, mora ga zamijeniti proizvođač, servisni agent ili druga slično kvalificirana osoba da bi se izbjegle moguće opasnosti.

Opasnost da će djeca ostati zarobljena u uređaju

- Provjerite jesu li police montirane i učvršćene tako da se djeca ne mogu zaključati u hladnjak.
- Prije odlaganja starog hladnjaka u otpad:
 - Demontirajte ladice.
 - Ostavite police u hladnjaku tako da djeca ne mogu ući u njega.



OPREZ! Nepoštivanje ovih upozorenja moglo bi dovesti do lakše ili umjerene ozljede.

Opasnost od strujnog udara

- Prije uključivanja uređaja uvjerite se da su priključni kabel i utikač suhi.

Opasnost od prignječenja

- Ne gurajte prste u šarku.

Opasnost za zdravlje

- Kako bi se izbjegle opasnosti zbog nestabilnosti, hladnjak se mora učvrstiti sukladno uputama za montažu.
- Ni u kojim uvjetima nemojte otvarati ili oštetiti krug rashladnog sredstva.



POZOR! Opasnost od oštećenja

- Uređaj držite samo za središnji dio tijekom transporta. Uređaj nikada nemojte držati za jedinicu za apsorpciju, rashladna rebra, vrata ili upravljačku ploču.
- Uređaj nemojte montirati u blizini otvorenog plamena ili drugih izvora topline (grijalice, izravna sunčeva svjetlost, plinske pećnice itd.).
- **Opasnost od pregrijavanja!**
Uvijek obratite pozornost da se toplina, koja nastaje tijekom rada uređaja, može nesmetano odvoditi. Provjerite je li uređaj na dovoljnoj udaljenosti od zidova i drugih predmeta tako da zrak može nesmetano kružiti.
- Provjerite odgovara li specificirani napon na tipskoj pločici specificiranom izvoru napajanja.
- Upotrebljavajte samo spojni kabel za izmjeničnu struju da biste povezali uređaj s mrežom izmjenične struje.
- Upotrebljavajte samo kablove koji su odgovarajuće veličine.
- Nikada ne izvlačite utikač iz utičnice povlačenjem priključnog kabela.
- Uređaj ne smije biti izložen kiši.

3 Dodatni pribor

Opis

Fleksibilne cijevi za plin

Brtva za ugradnju sa sprječavanjem ulaska i izlaska zraka za rupe od 1 – 5 mm (sl. **9 B**, stranica 7)

Brtva za ugradnju sa sprječavanjem ulaska i izlaska zraka za rupe od 5 – 10 mm (sl. **9 C**, stranica 7)

Zimski pokrov WA 130 za ventilacijsku rešetku LS 200

Kabel adaptera

- WAGO na CEE
- WAGO na UK
- WAGO na JST
- WAGO na MATE-N-LOK

Opcionalni komplet za ventilator REF-FANKIT

Opis

Opcionalni paket baterija Pack R10-BP za neovisne radnje plina

Opcionalni komplet za pohranu

4 Namjenska uporaba

Hladnjak je prikladan za:

- montažu na kamp-kućice i kampere,
- hlađenje, duboko zamrzavanje i pohranu hrane.

Hladnjak nije prikladan za:

- pohranu lijekova,
- pohranu korozivnih tvari ili tvari koje sadržavaju otapala,
- brzo zamrzavanje hrane.

Ovaj je hladnjak namijenjen za montažu u jednom ormariću ili u montažnoj niši.

Ovaj hladnjak nije namijenjen za upotrebu u kućanstvu.

Odjeljak za zamrzavanje prikladan je za pohranu unaprijed zamrznute hrane, pohranu ili izradu sladoleda i za izradu kockica leda. Nije prikladan za zamrzavanje namirnica.

Ovaj je proizvod prikladan samo za predviđenu namjenu i primjenu u skladu s ovim uputama.

Ove upute donose informacije neophodne za pravilnu instalaciju i/ili rad rashladnog proizvoda. Loša instalacija i/ili nepravilan rad ili održavanje rezultirat će nezadovoljavajućom uspješnošću i mogućim kvarom.

Proizvođač ne preuzima nikakvu odgovornost za bilo kakve ozljede ili oštećenja proizvoda koji nastanu kao rezultat:

- nepravilne montaže ili priključivanja, uključujući i previsok napon
- nepravilnog održavanja ili uporabe nekih drugih rezervnih dijelova osim originalnih rezervnih dijelova koje nudi proizvođač
- izmjena na proizvodu bez izričitog dopuštenja proizvođača
- uporabe u svrhe koje nisu opisane u ovim uputama

Dometic pridržava pravo na promjenu izgleda i specifikacija proizvoda.

Ovaj je proizvod prikladan samo za predviđenu namjenu i primjenu u skladu s ovim uputama.

Ove upute donose informacije neophodne za pravilnu instalaciju i/ili rad proizvoda. Loša instalacija i/ili nepravilan rad ili održavanje rezultirat će nezadovoljavajućom uspješnošću i mogućim kvarom.

Proizvođač ne preuzima nikakvu odgovornost za bilo kakve ozljede ili oštećenja proizvoda koje nastanu kao rezultat:

- nepravilne montaže ili priključivanja, uključujući i previsok napon
- nepravilnog održavanja ili uporabe nekih drugih rezervnih dijelova osim originalnih rezervnih dijelova koje isporučuje proizvođač
- izmjena na proizvodu bez izričitog dopuštenja proizvođača
- uporabe u svrhe koje nisu opisane u ovim uputama

Dometic pridržava pravo na izmjene izgleda i specifikacija proizvoda.

Montaža hladnjaka



OPREZ! Opasnost za zdravlje

Kako bi se izbjegle opasnosti zbog nestabilnosti, uređaj se mora učvrstiti sukladno uputama za montažu.



Upute za promjenu graničnika za vrata i ukrasne ploče možete pronaći na internetu na adresi:
<https://dometic.com/manuals>

4.1 Priprema za montažu



POZOR!

- Hladnjak se ne smije montirati u stražnjem dijelu mobilnih kućica tako da su vrata usmjerena prema smjeru kretanja.
- Upotrebljavajte isključivo originalne ventilacijske rešetke tvrtke Dometic da bi se osigurao siguran rad.

Tijekom montaže hladnjaka imajte na umu sljedeće:

- Provjerite je li montažna površina čvrsta i vodoravna.
U tu svrhu vozilo parkirajte vodoravno.
- Provjerite je li hladnjak niveliran.

- Hladnjak se mora montirati tako
 - da je lako dostupan za servisne radove
 - da ga je lako montirati i demontirati
 - da se lako može ukloniti iz vozila
- Hladnjak se mora montirati u udubinu da stoji stabilno kada je vozilo u pokretu. Imajte na umu sljedeće dimenzije (sl. **1**, stranica 3 i sl. **2**, stranica 4):

	RM10.5(S)(T)	RMS10.5(S)(T)	RMS10.5X(S)(T)
Hladnjak	Ukupne dimenzije u mm		
Visina (A)	821	821	821
Širina (B)	523	523	523
Dubina (C) (ne obuhvaća kontrolnu ručicu od 5 mm)	548	548	603
Udubina	Dimenzije u mm		
Visina (H)	≥829	≥829	≥829
Širina (W)	≥525,5	≥525,5	≥525,5
Dubina (D)	≥563	≥563	≥618

- Hladnjak se mora montirati minimalno 5 mm od poda radi pravilnog otvaranja vrata (sl. **3**, stranica 4).
 - Izbjegavajte montažu hladnjaka izravno na pod.
 - Provjerite ne ograničava li tepih slobodno kretanje vrata.
- Na vanjskom zidu moraju biti ugrađeni ventilacijski otvor za ulaz zraka (sl. **4** 1, stranica 4) i izlazni ventilacijski otvor (sl. **4** 2, stranica 4) s ventilacijskim rešetkama tako da se generirana toplina može lako ispustiti van:
 - Ventilacijski otvor za ulaz zraka: ventilacijsku rešetku ugradite najbliže što je moguće bazi montažne niše.
 - Izlazni ventilacijski otvor: ugradite ga najdalje što je moguće iznad hladnjaka.
 - Udaljenost između ventilacijskog otvora za ulaz zraka i izlaznog ventilacijskog otvora mora biti barem 750 mm za RM10.5 i 534 mm za RMS10.5 (sl. **5**, stranica 5).
- Ploču za prijenos topline (sl. **5** 1, stranica 5) ugradite iznad hladnjaka tako da se toplina ne nakuplja u vozilu.
- Udaljenost između hladnjaka i stražnjeg zida mora biti najmanje 15 mm, ali ne više od 25 mm.

- Ako je udaljenost između hladnjaka i stražnjeg zida veća od 25 mm, to može uzrokovati loš rad hladnjaka i povećati potrošnju energije. Smanjite prostor iza hladnjaka da biste ugradili ventilacijski otvor za ulaz zraka i izlazni ventilacijski otvor (sl. **6**, stranica 5). Tako, primjerice, za to možete upotrijebiti pločicu za ventilaciju.
- Ako nije moguće zadovoljiti uvjet za minimalnu udaljenost između ventilacijskog otvora za ulaz zraka i izlaznog ventilacijskog otvora, potrebno je ugraditi krovni ventilacijski otvor umjesto izlaznog ventilacijskog otvora.
 - Krovni ventilacijski otvor treba ugraditi izravno iznad stražnje strane hladnjaka što je dalje moguće. Upotrijebite kanal za dovod zraka (sl. **7** 1, stranica 6) ako morate ugraditi krovni ventilacijski otvor u udubini tako da vam se tamo ne nakuplja toplina.
 - Udaljenost između ventilacijskog otvora za ulaz zraka i krovnog ventilacijskog otvora mora biti barem 750 mm za RM10.5 i 534 mm za RMS10.5 (sl. **7**, stranica 6).
 - Ako je isporučen i krovni klima-uređaj, udaljenost između krovnog ventilacijskog otvora (sl. **8** 1, stranica 7) i izlaznog ventilacijskog otvora krovnog klima-uređaja (sl. **8** 2, stranica 7) mora biti barem 300 mm.
- Hladnjak se ne smije montirati na stranu gdje se nalaze ventilacijski otvor za ulaz zraka i izlazni ventilacijski otvor jer to može uzrokovati loš rad hladnjaka i povećati potrošnju energije.
- Ventilacijski otvor za ulaz zraka i izlazni ventilacijski otvor ne smiju biti prekriveni dijelovima vozila (kao što su otvorena vrata ili montiranim dodacima kao što je nosač za bicikle) tijekom rada uređaja.
- Hladnjak je potrebno montirati tako da je zaštićen od prekomjerne topline jer to može uzrokovati loš rad hladnjaka i povećati potrošnju energije.
- Hladnjak mora biti montiran na mjestu gdje zrak ne može ulaziti i izlaziti.

4.2 Montaža hladnjaka na mjestu gdje zrak ne može ulaziti i izlaziti



UPOZORENJE! Opasnost od požara!

Tijekom montaže nemojte upotrebljavati zapaljiva sredstva kao što su silikonska brtvila, pjene ili slična sredstva da biste spriječili ulazak i izlazak zraka.

Hladnjaci s napajanjem na plin u kamp-kućicama ili kamperima moraju se montirati na mjestu gdje zrak ne može ulaziti i izlaziti. To znači da se zrak za izgaranje ne usisava iz unutrašnjosti, a ispušni plinovi ne mogu prodrijeti izravno u stambeni prostor.

Prikladna se brtva mora ugraditi između stražnje ploče hladnjaka i unutrašnjosti vozila.

Proizvođač preporučuje upotrebu fleksibilnog brtvila radi jednostavnog uklanjanja i ugradnje u svrhu održavanja.

Odaberite jednu od tri verzije za montažu na mjestu gdje zrak ne može ulaziti i izlaziti (sl. **9**, stranica 8):

Zaustavna prečka iza hladnjaka (A)

1. Zalijepite fleksibilni simering (**1**) na zaustavnu prečku (**2**) iza hladnjaka (**3**).
 2. Hladnjak gurnite do zaustavne prečke na kojoj su fleksibilni simerinzi.
- ✓ Prostor iza hladnjaka sada je zabrtvljen naspram unutrašnjosti vozila.

Bočni razmak do 5 mm između hladnjaka i namještaja (B)

1. Zalijepite simeringe (pogledajte pogl. „Dodatni pribor“ na stranici 302) na bočne stranice namještaja (**4**).
 2. Hladnjak gurnite do fleksibilnih simeringa na namještaju.
- ✓ Prostor iza hladnjaka sada je zabrtvljen naspram unutrašnjosti vozila.

Bočni razmak od 5 mm do 10 mm između hladnjaka i namještaja (C)

1. Zalijepite dvostruke simeringe (pogledajte pogl. „Dodatni pribor“ na stranici 302) na bočne stranice namještaja (**4**).
 2. Hladnjak gurnite do dvostrukih simeringa na namještaju.
- ✓ Prostor iza hladnjaka sada je zabrtvljen naspram unutrašnjosti vozila.

4.3 Izrada ventilacijskog otvora za ulaz zraka i izlazni ventilacijski otvor



UPUTA

- Odstupanja od prikazanih varijacija ventilacijskog otvora za ulaz zraka i izlaznog ventilacijskog otvora mora odobriti proizvođač.
- Pri visokim okolnim temperaturama hladnjak može pružiti maksimalnu snagu hlađenja samo ako je ugrađena optimalna ventilacija.

- Izradite ventilacijski otvor za ulaz zraka i izlazni ventilacijski otvor veličine 451 mm x 156 mm na vanjskom zidu.

Tijekom navedenih radnji pratite pogl. „Priprema za montažu“ na stranici 304.

Ako ventilacijsku rešetku za ventilacijski otvor za ulaz zraka nije moguće ugraditi u ravnini poda niže, ugradite ventilacijski otvor za ulaz zraka u podu. Na taj način bilo kakvo curenje plina bit će usmjereno prema dolje.

1. Ventilacijski otvor za ulaz zraka izradite veličine barem $\varnothing 40$ mm na podu (sl. **10** 1, stranica 9) iza hladnjaka blizu plinskog plamenika.
2. Vanjski dio otvora zaštitite deflektorom da biste spriječili prodiranje blata ili prljavštine u vozilo tijekom vožnje (sl. **10** 2, stranica 9).

Ako umjesto ventilacijskog otvora za ulaz zraka imate krovni ventilacijski otvor:

- Izrežite dio krova. Za potrebne dimenzije pogledajte upute za krovni ventilacijski otvor.
Tijekom navedenih radnji pratite pogl. „Priprema za montažu“ na stranici 304.

4.4 Ugradnja ventilacijske rešetke



UPUTA

Upotrebljavajte isključivo originalne ventilacijske rešetke tvrtke Dometic da bi se osigurao siguran rad.

Br. na sl. 11 , stranica 9	Opis
1	Okvir za ugradnju
2	Ventilacijska rešetka
3	Klizač
4	Zimski pokrov za ventilacijsku rešetku (dodaci)
5	Adapter za crijevo odvoda kondenzata

1. Zabrtvite okvir za ugradnju da bi spoj bio vodootporan (sl. **12**, stranica 9).
2. Umetnite okvir za ugradnju i čvrsto ga pričvrstite vijcima (sl. **13**, stranica 9). Za to upotrijebite sve rupe za pričvršćivanje.
3. Adapter za crijevo ugradite kako je prikazano (sl. **14** 1, stranica 10).
4. Ventilacijsku rešetku umetnite kako je prikazano (sl. **15**, stranica 10).

4.5 Ugradnja odvoda kondenzata



UPUTA

- Kondenzacija može nastati u hladnjaku zbog čestog otvaranja vrata, neprikladno pohranjene hrane ili pohrane pretople hrane.
- Kondenzacija se mora ispuštati pod konstantnim nagibom.

Odvod kondenzata ugradite na sljedeći način:

- ▶ Crijevo odvoda kondenzata priključite izravno na adapter na ventilacijskoj rešetki (sl. **14** 2, stranica 10).

4.6 Ugradnja krovnog ventilacijskog otvora

Br. na sl. 16 , stranica 10	Opis
1	Poklopac
2	Okvir za ugradnju

1. Zabrtvite okvir za ugradnju da bi spoj bio vodootporan (sl. **17**, stranica 10).
2. Umetnite okvir za ugradnju i čvrsto ga pričvrstite vijcima (sl. **18**, stranica 11). Za to upotrijebite sve rupe za pričvršćivanje.
3. Umetnite poklopac i čvrsto ga pričvrstite vijcima (sl. **19**, stranica 11).

4.7 Pričvršćivanje hladnjaka



OPREZ!

Vijke pričvrstite samo kroz naznačene otvore. U suprotnom biste mogli oštetiti komponente zaštićene pjenom kao što su kablovi.



UPUTA

Pričvrstite bočne stranice ili pričvršćene trake tako da su vijci čvrsto pritegnuti, čak i pod povećanim opterećenjem (tijekom vožnje).

1. Hladnjak pomaknite na konačnu lokaciju.
2. Vijke pričvrstite (sl. **20** 1, stranica 11) kroz plastičnu oblogu na stranicama hladnjaka i u zid.
3. Na glave vijaka postavite kapice (sl. **20** 2, stranica 11).

5 Povezivanje hladnjaka

5.1 Povezivanje s izvorom plina



UPOZORENJE! Nepoštivanje ovih upozorenja moglo bi dovesti do smrti ili teške ozljede. Opasnost za zdravlje

- U skladu s primjenjivim državnim smjernicama i standardima samo specijalisti mogu povezati hladnjak s izvorom plina.
- Povezivanje crijevom **nije** dopušteno.
- Uređaj povežite s pomoću metalnih vijaka s brtvilom.
- Filtar za plin (bijeli) u spoju plina i hladnjaka ne smije se ukloniti.
- Upotrebjavajte samo plinske boce s propanom ili butanom (ne prirodni plin ili gradski plin) i s odobrenim ventilom za smanjenje tlaka i odgovarajućom glavom. Usporedite podatke o tlaku na tipskoj pločici s podacima o tlaku na regulatoru tlaka na plinskim bocama s propanom ili butanom.
- Hladnjak treba raditi **samo** pod tlakom koji je prikazan na tipskoj pločici.
- Hladnjak treba raditi **samo** s vrtom plina koja je prikazana na tipskoj pločici.
- Obratite pozornost na to koji su tlakovi dozvoljeni u vašoj državi. Upotrebjavajte samo regulator tlaka s fiksnim postavkama koje su u skladu s državnim propisima.



UPUTA

Moguće je i upotrijebiti fleksibilnu cijev za povezivanje plina tvrtke Dometic da instalacije nisu napete.

Mora postojati mogućnost da se hladnjak odspoji od dovoda plina putem uređaja za odspajanje. Uređaj za odspajanje mora biti lako dostupan.

1. Hladnjak ručno i na siguran način povežite s izvorom plina (sl. **21**, stranica 11).



UPOZORENJE! Opasnost od eksplozije

Vrlo je važno da se pridržavate sljedećih momenata pritezanja:

Poz. na sl. 21 , stranica 11	Opis
1	Vijak M4 (Torx TX20), Moment pritezanja: 2 Nm
2	Spoj hladnjaka i dovoda plina: M14 x 1,5 (d = 8 mm/ISO 8434 (DIN 2353))
3	Plinska cijev s navojnom spojkom (veličina 17), Moment pritezanja: 25 Nm

2. Nakon što stručno osoblje završi montažu, ovlaštteni specijalist treba provesti test propuštanja i plamena.
Provjerite jesu li vam izdali potvrdu o inspekciji koji zatim trebate predati krajnjem korisniku na čuvanje.

5.2 Povezivanje na istosmjernu i izmjeničnu struju



UPOZORENJE! Nepoštivanje ovih upozorenja moglo bi dovesti do smrti ili teške ozljede. Opasnost od strujnog udara

Električnu montažu i popravke smije provoditi samo specijalist u skladu s primjenjivim državnim propisima i standardima.



UPUTA

- Utikač za uređaj ne smije se nalaziti izravno iza ventilacijske rešetke da bi se spriječilo ometanje kruženja zraka i da se utikač za uređaj zaštiti od prskanja vode.
- Utikač za uređaj spojnog kabela za izmjeničnu struju ne smijete odrezati.
- Spojni kablovi moraju biti položeni tako da nisu u kontaktu s vrućim dijelovima jedinice/plamenika ili oštrim rubovima.
- Izmijene na unutarnjim električnim instalacijama ili spojevima drugih električnih komponenti (npr. Dodatni ventilatori treće strane) s internim ožičenjem hladnjaka poništiti će uvjete jamstva i odgovornosti za proizvod.
- Hladnjaci RM10.5 i RMS10.5 imaju sučelje CI-bus i njima je moguće upravljati putem kompatibilnog središnjeg zaslona u vozilu.

Električna shema hladnjaka (sl. 22, stranica 12)

Poz. na sl. 22, stranica 12	Opis
1	Ventilator 1 (ako je dostupan modul s opcijama)
2	Modul s opcijama (opcionalno)
3	Pećnica na istosmjernu struju (ako je dostupan modul s opcijama)
4	Modul na istosmjernu struju
5	NTC 2: Vanjska temperatura (opcionalno)
6	NTC 1: Senzor temperature svježe hrane
7	Plinski ventil
8	Rasvjeta
9	Magnetska sklopka
10	S+ (opcionalno)
11	Grijač na istosmjernu struju
12	Osigurač 15 A
13	Relej istosmjerne struje za kartušu za grijanje
14	Ulaz plina
15	Blok za priključivanje istosmjerne struje
16	Elektronika kabela za napajanje istosmjernom strujom
17	Kabel za napajanje grijača istosmjernom strujom
18	Priključak za CI-Bus
19	Napajanje AC sustava
20	Grijač na izmjeničnu struju
21	Uzemljenje
22	Zaštita uzemljenjem za izmjeničnu struju
23	Elektroda za paljenje
24	Modul za napajanje
25	Modul za zaslon

Istosmjerna struja



UPOZORENJE! Opasnost od požara

- Dovodni vod grijača mora biti zaštićen osiguračem 15 A.
- Dovodni vod za elektroniku mora biti zaštićen osiguračem 2 A.



POZOR!

Odgovarajući pozitivni i negativni dovodni vodovi priključaka istosmjerne struje za elektroniku (sl. **22** 16, stranica 12) i grijač (sl. **22** 17, stranica 12) **ne smiju** se spajati u jednu žicu. Time se mogu uzrokovati električne smetnje ili se mogu oštetiti električne komponente.

Obratite pozornost na sljedeće veličine kablova (sl. **23**, stranica 14):

- Priključci s grijačem:
 - < 6 m (unutrašnjost): $\geq 6 \text{ mm}^2$
 - > 6 m (unutrašnjost): $\geq 10 \text{ mm}^2$
 - Kabel koji prolazi kroz Drawbar (samo za kamp-kućice): $\geq 2,5 \text{ mm}^2$
 - Elektronika priključaka: $\geq 0,75 \text{ mm}^2$
 - Priključci za D+ i S+: $\geq 0,75 \text{ mm}^2$
1. Montirajte utičnicu istosmjerne struje na sljedeći način (sl. **22**, stranica 12):
 - Spojite **A** i **C** na pozitivan pol baterije.
 - Spojite **D** i **F** s uzemljenjem.
 - Spojite **B** sa signalom D+.
Elektronika hladnjaka upotrebljava signal D+ alternatora da bi prepoznala motor u radu. U automatskom načinu rada hladnjak odabire najpogodniji dostupni način. Hladnjak radi samo s istosmjernom strujom dok motor vozila radi.
 - Spojite **E** sa sučeljem CI-BUS.
 2. Spojite **10** sa signalom S+ (opcionalno).
 3. Dovodni vod **A** zaštitite osiguračem 2 A u kutiji za raspodjelu napajanja u vozilu.
 4. Dovodni vod **C** zaštitite osiguračem 15 A u kutiji za raspodjelu napajanja u vozilu.
 5. Provedite dovodni vod **C** putem releja kojim upravlja paljenje.
Time se sprječava potpuno pražnjenje baterije ako se motor slučajno isključi.

Izmjenična struja

- Hladnjak priključite na utičnicu izmjenične struje s pomoću utikača za uređaj.

6 Odlaganje u otpad

Recikliranje proizvoda s nezamjenjivim baterijama, punjivim baterijama ili izvorima svjetla



▶ Ako proizvod sadrži nezamjenjive baterije, punjive baterije ili izvore svjetla, ne morate ih uklanjati prije odlaganja u otpad.

▶ Ako proizvod želite konačno odložiti u otpad, zatražite od svog lokalnog reciklažnog centra ili specijaliziranog trgovca pojedinosti o tomu kako to učiniti u skladu s primjenjivim propisima o odlaganju u otpad.



▶ Proizvod se može besplatno odložiti u otpad.




Recikliranje ambalaže



▶ Odložite ambalažu u odgovarajuće kante za reciklažu otpada gdje god je to moguće.

7 Tehnički podaci

	RM10.5(S)(T)	RMS10.5(S)(T)	RMS10.5X(S)(T)
Priključni napon:	230 V~ / 50 Hz 12 Vg		
Kapacitet			
Bruto sadržaj:	88 l	78 l	92 l
Pretinac hladnjaka:	78,7 l	69,1 l	80,3 l
Pretinac za smrzavanje:	9,2 l	9,2 l	12,1 l
Ukupni korisni sadržaj:	86 l	76 l	90 l
Bez pretinca za smrzavanje			
Bruto sadržaj:	93 l	83 l	98 l
Korisni sadržaj:	91 l	81 l	96 l
Primljena snaga:	135 W (230 V~) 130 W (12 Vg)		
Potrošnja energije:	2,8 kWh / 24 h (230 V~)	2,5 kWh / 24 h (230 V~)	3,2 kWh / 24 h (230 V~)
Potrošnja plina:	270 g / 24 h		
Priključni tlak plina:	30 mbar		
Klasa klime:	SN		

	RM10.5(S)(T)	RMS10.5(S)(T)	RMS10.5X(S)(T)
Dimenzije V x Š x D:	821 x 523 x 548 mm		821 x 523 x 603 mm
Težina:	28 kg	27,4 kg	29 kg
Pregled/certifikacija:	  		

Trenutačno važeću EU izjavu o sukladnosti za svoj uređaj molimo potražite na stranici odgovarajućeg proizvođača na adresi dometic.com ili se izravno obratite proizvođaču (vidi dometic.com/dealer).

Daljnijim informacijama o proizvodu možete pristupiti putem QR koda na energetskej naljepnici na proizvodu ili putem mrežne stranice eprel.ec.europa.eu.

Bu ürünü doğru monte ettiğinizden ve ürünün daima kullanıma hazır olduğundan emin olmak için, lütfen tüm talimatları ve bu ürün kılavuzunda verilen kılavuzları ve uyarıları dikkatlice okuyunuz. Bu talimatlar bu üründe KALMALIDIR.

Bu ürünü kullandığınızda tüm talimatları, kılavuzları ve uyarıları dikkatlice okuduğunuza ve anladığınıza ve hükümlere ve koşullara bu sözleşmede yer alıyormuş gibi uyacağınıza onay verirsiniz. Bu ürünü sadece amacına ve uygulamaya uygun ve talimatlara, kılavuzlara ve uyarılara uygun bu ürün kılavuzu ile geçerli yasalara ve yönetmeliklere uygun olarak kullanacağınızı kabul ediyorsunuz. Talimatların ve uyarıların burada verildiği gibi okunmaması veya bunlara uyulmaması sonucu kendiniz ve diğer insanlar yaralanabilir veya ürününüz veya yakınında bulunan diğer eşyalar hasar görebilir. Talimatlar, kılavuzlar ve uyarılar da dahil, bu ürün kılavuzu ve buna ait olan dokümanlarda değişiklikler ve güncellemeler yapılabilir. Güncel ürün bilgileri için, lütfen bakınız documents.dometic.com.



Ayrıntılı kullanma kılavuzunu ve teknik verilerle ilgili bilgileri çevrimiçi olarak şu adreste bulabilirsiniz
https://documents.dometic.com/?object_id=69924

İçindekiler

1	Sembollerin açıklanması	316
2	Güvenlik uyarıları	317
3	Aksesuar	319
4	Amacına Uygun Kullanım	320
5	Buzdolabının bağlanması	327
6	Atık İmhası	331
7	Teknik Bilgiler	331

1 Sembollerin açıklanması



UYARI!

Güvenlik uyarısı: Önlenmediğinde, can kaybı veya ağır bir yaralanmaya neden olabilecek tehlikeli bir durumu gösterir.



DİKKAT!

Güvenlik uyarısı: Önlenmediğinde, hafif veya orta derecede bir yaralanmaya neden olabilecek tehlikeli bir durumu gösterir.



İKAZ!

Önlenmediğinde, maddi hasara neden olabilecek bir durumu gösterir.

**NOT**

Ürünün kullanılması ile ilgili ek bilgiler.

2 Güvenlik uyarıları



UYARI! Bu uyarılara uyulmaması can kaybı veya ağır yaralanmaya sebep olabilir.

Elektrik çarpması tehlikesi

- Buzdolabının montajı ve sökülmesi sadece kalifiye personel tarafından gerçekleştirilmelidir.
- Buzdolabının onarımı sadece kalifiye personel tarafından yapılmalıdır. Uygun olmayan onarımlar ciddi tehlikelere veya buzdolabında hasara yol açabilir.
- Buzdolabının güç kablosunda hasar varsa, tehlike oluşmaması için üretici, yetkili servis veya benzeri bir kalifiye personel tarafından değiştirilmelidir.
- Buzdolabı yerleştirilirken besleme kablosunun sıkışmamasına veya hasar görmemesine dikkat edin.
- Buzdolabının arkasına seyyar çoklu priz ve taşınabilir güç kaynağı yerleştirmeyin.
- Cihazı, özellikle cihazın topraklanması gerektiğinde düzgün bağlantı sağlayan prizlere takın.

Patlama tehlikesi

- Absorber ünitesini asla açmayın. Açıldığında, yüksek basınç yaralanmalarına neden olabilir.
- Buzdolabında, içinde gaz bulunan sprey kutuları gibi patlayıcı maddeler saklamayın.
- Cihazı **yalnızca** cihaz bilgi etiketinde belirtilen basınçta çalıştırın. Yalnızca ulusal yönetmeliklere (Avrupa'da EN 12864). uygun sabit ayarlı basınç kontrolörleri kullanın.

Yangın tehlikesi

- Silikon sızdırmazlık maddesi veya benzeri kullanılıyorsa temiz ve kalınsız bir uygulama sağlayın. Silikon filamentlerin sıcak parçalarla veya çıplak alevle temas etmesi halinde yangın riski vardır.

- Cihazda sızıntı olup olmadığını kontrol etmek için asla çıplak alev kullanmayın.
- Sadece propan veya bütan gazı kullanın (doğal gaz **kullanmayın**).
- Soğutucu devresindeki soğutucu akışkan yüksek derecede yanıcıdır ve cihaz küçük bir odadaysa, bir sızıntı durumunda yanıcı gazlar oluşabilir.
Soğutucu akışkan devresinde bir hasar olması durumunda (amonyak kokusu):
 - Açık ateş ve potansiyel ateşleme kaynaklarını buzdolabından uzak tutun.
 - Odayı iyi havalandırın.
 - Buzdolabını kapatın.

Sağlık için tehlike

- Cihazda gözle görülebilir hasar varsa cihazı çalıştırmayın.
- Bu cihazın AC güç kablosu hasar görmüşse, güvenlik tehlikelerini önlemek için üretici, servis personeli veya benzeri bir kalifiye personel tarafından değiştirilmelidir.

Çocuklar için sıkışma tehlikesi

- Rafların, çocuklar kendini buzdolabına kilitleyemeyecek şekilde monte edildiğinden ve sabitlendiğinden emin olun.
- Eski buzdolabınızı imha etmeden önce:
 - Çekmeceleri sökün.
 - Rafları, çocukların içine tırmanmaması için buzdolabında bırakın.



DİKKAT! Bu ikazlara uyulmaması hafif veya orta derecede yaralanmaya sebep olabilir.

Elektrik çarpması tehlikesi

- Cihazı çalıştırmadan önce besleme hattı ile fişinin kuru olduğundan emin olun.

Ezilme tehlikesi

- Parmaklarınızı menteşeye sokmayın.

Sağlık için tehlike

- Buzdolabının dengesizliğinden kaynaklanan bir tehlikeyi önlemek için buzdolabı, montaj talimatlarına uygun olarak sabitlenmelidir.
- Hiçbir koşulda soğutucu akışkan devresini açmayın veya zarar vermayın.



İKAZ! Hasar tehlikesi

- Taşıma sırasında cihazı sadece cihazın gövdesinden tutun. Cihazı asla absorber ünitesinden, soğutma kanatçıklarından, gaz borularından, kapağından veya kumanda panelinden tutmayın.
- Cihazı çıplak ateş veya diğer ısı kaynaklarının (ısıtıcılar, doğrudan güneş ışığı, gazlı fırınlar vb.) yakınına monte etmeyin.
- **Aşırı ısınma tehlikesi!**
Çalışma sırasında oluşan ısının dağılabilmesi için her zaman yeterli havalandırma sağlandığından emin olun. Hava sirkülasyonu için cihazın duvarlardan ve diğer nesnelere yeterince uzakta olduğundan emin olun.
- Cihaz bilgi etiketinde belirtilen voltaj değerinin güç kaynağının voltaj değeri ile aynı olmasına dikkat edin.
- Cihazı AC şebekeye bağlamak için sadece birlikte verilen AC bağlantı kablosunu kullanın.
- Yalnızca uygun boyutta kablolar kullanın.
- Fişi prizden çıkartmak için asla bağlantı kablosunu kullanmayın.
- Cihaz yağmura maruz kalmamalıdır.

3 Aksesuar

Adı

Esnek gaz boruları

1 – 5 mm boşluklar için hava akımı geçirmez montaj için conta (şekil **9 B**, sayfa 7)

5 – 10 mm boşluklar için hava akımı geçirmez montaj için conta (şekil **9 C**, sayfa 7)

LS 200 havalandırma ızgarası için kış kapağı WA 130

Adaptör kablosu

- WAGO'dan CEE'ye
- WAGO'dan UK'ye
- WAGO'dan JST'ye
- WAGO'dan MATE-N-LOK'a

İsteğe bağlı fan kiti REF-FANKIT

Bağırsız olarak gazla çalıştırmak için isteğe bağlı akü paketi Pack R10-BP

İsteğe bağlı depolama kiti

4 Amacına Uygun Kullanım

Buzdolabı şunlar için uygundur:

- Karavanlara ve motorlu karavanlara montaj
- Yiyecek ve içecekleri soğutmak, derin dondurmak ve saklamak

Buzdolabı şunlar için uygun değildir:

- İlaçların saklanması
- Aşındırıcı veya solvent içeren maddelerin saklanması
- Hızlı dondurulmuş yiyecekler

Buzdolabı, bir dolap parçasına veya bir montaj boşluğuna monte edilmek üzere tasarlanmıştır.

Bu buzdolabı ev uygulamalarında kullanılmak üzere tasarlanmamıştır.

Dondurucu bölümü, önceden dondurulmuş yiyecekleri saklamak, dondurma saklamak veya yapmak ve buz küpleri yapmak için uygundur. Önceden dondurulmamış yiyecekleri dondurmak için uygun değildir.

Bu ürün sadece amacına uygun ve bu talimata göre kullanılmalıdır.

Bu kılavuzda ürünün doğru olarak monte edilmesi ve/veya kullanılması için gerekli bilgiler verilmektedir. Doğru yapılmayan montaj veya bakım performansının yetersiz olmasına ve olası bozukluklara neden olabilir.

Üretici, aşağıdaki durumların neden olduğu yaralanmalardan veya ürün hasarlarından sorumlu değildir:

- Yanlış montaj veya bağlantı ve aşırı voltaj
- Yanlış bakım veya üretici tarafından sağlanan orijinal yedek parçalardan başka yedek parçalar kullanılması
- Üreticisinden açıkça izin almadan cihazda değişiklikler yapılması
- Bu kılavuzda tanımlananların dışında bir amaçlar için kullanıldığında

Dometic ürünün görünümünde ve ürün özelliklerinde değişiklik yapma hakkını saklı tutar.

Bu ürün sadece amacına uygun ve bu talimata göre kullanılmalıdır.

Bu kılavuzda ürünün doğru olarak monte edilmesi ve/veya kullanılması için gerekli bilgiler verilmektedir. Doğru yapılmayan montaj veya bakım performansının yetersiz olmasına ve olası bozukluklara neden olabilir.

Üretici, aşağıdaki durumların neden olduğu yaralanmalardan veya ürün hasarlarından sorumlu değildir:

- Yanlış montaj veya bağlantı ve aşırı voltaj
- Yanlış bakım veya üretici tarafından sağlanan orijinal yedek parçalardan başka yedek parçalar kullanılması
- Üreticisinden açıkça izin almadan cihazda değişiklikler yapılması
- Bu kılavuzda tanımlananların dışında bir amaçlar için kullanıldığında

Dometic ürünün görünümünde ve ürün özelliklerinde değişiklik yapma hakkını saklı tutar.

Buzdolabının montajı



DİKKAT! Sağlık için tehlike

Cihazın dengesizliğinden kaynaklanan bir tehlikeyi önlemek için, buzdolabı talimatlara uygun olarak sabitlenmelidir.



Kapak kilidinin ve dekoratif plakanın değiştirilmesine ilişkin kullanım kılavuzunu çevrimiçi olarak şu adreste bulabilirsiniz:
<https://dometic.com/manuals>

4.1 Montaj hazırlığı



İKAZ!

- Buzdolabı, kapağı seyir yönüne bakacak şekilde karavanların arkasına monte edilmemelidir.
- Güvenli çalışmayı sağlamak için yalnızca orijinal Dometic havalandırma ızgaralarını kullanın.

Buzdolabını monte ederken aşağıdakilere dikkat edin:

- Zeminin sağlam ve düz olduğundan emin olun. Bunun için aracı düz bir alana park edin.
- Buzdolabının düz olduğundan emin olun.

- Buzdolabını monte ederken aşağıdakileri dikkate alın
 - servis çalışmaları için kolayca erişilebilir olmalı
 - sökülmesi ve monte edilmesi kolay olmalı
 - araçtan kolayca çıkarılabilir olmalı
- Buzdolabı, araç hareket halindeyken sağlam durması için bir girintiye monte edilmelidir. Aşağıdaki boyutları dikkate alın (şekil **1**, sayfa 3 ve şekil **2**, sayfa 4):

	RM 10.5(S)(T)	RMS10.5(S)(T)	RMS10.5X(S)(T)
Buzdolabı	Tüm boyutlar, mm olarak		
Yükseklik (A)	821	821	821
Genişlik (B)	523	523	523
Derinlik (C) (5 mm kontrol düğmesi hariç)	548	548	603
Girinti	Boyut, mm olarak		
Yükseklik (H)	≥829	≥829	≥829
Genişlik (W)	≥525,5	≥525,5	≥525,5
Derinlik (D)	≥563	≥563	≥618

- Kapağın düzgün bir şekilde açılabilmesini sağlamak için buzdolabı zeminden en az 5 mm mesafe olacak şekilde monte edilmelidir (şekil **3**, sayfa 4).
 - Buzdolabını doğrudan zemine yerleştirmekten kaçının.
 - Kapağın serbestçe hareket etmesini engelleyecek herhangi bir halı olmadığından emin olun.
- Dış duvara, havalandırma ızgaralı hava giriş menfezi (şekil **4** 1, sayfa 4) ve hava çıkış menfezi (şekil **4** 2, sayfa 4) takılmalıdır, böylece açığa çıkan ısı kolayca dışarı atılabilir:
 - Hava giriş menfezi: Havalandırma ızgarasını montaj nişinin tabanıyla mümkün olduğu kadar aynı hizada olacak şekilde monte edin.
 - Çıkış menfezi: mümkün olduğu kadar buzdolabının üst tarafına gelecek şekilde takın.
 - Hava giriş ve çıkış menfezleri arasındaki mesafe, RM10.5 için en az 750 mm ve RMS10.5 için en az 534 mm olmalıdır (şekil **5**, sayfa 5).
- Isının araç içinde birikmemesi için buzdolabının üzerine bir ısı iletim plakası (şekil **5** 1, sayfa 5) takın.
- Buzdolabı ile arka duvar arasındaki mesafe en az 15 mm, en fazla 25 mm olmalıdır.

- Buzdolabı ile arka duvar arasında 25 mm'den daha fazla bir mesafe, düşük performansla yol açar ve buzdolabının güç tüketimini artırır. Havalandırma için yeterli hava girişi ve çıkışı sağlamak için buzdolabının arkasındaki alanı azaltın. (şekil **6**, sayfa 5). Bunu yapmak için örneğin bir havalandırma plakası kullanın.
- Hava giriş ve çıkış menfezleri arasındaki minimum mesafe sağlanamıyorsa, hava çıkış menfezi yerine bir tavan menfezi takılmalıdır.
 - Tavan menfezi, mümkün olduğu kadar doğrudan buzdolabının arka tarafının üzerine monte edilmelidir. Hava menfezi dirseği takmanız gerekiyorsa bir hava kanalı (şekil **7** 1, sayfa 6) kullanın, aksi halde orada ısı birikir.
 - Hava giriş menfezi ile tavan menfezi arasındaki mesafe, RM10.5 için en az 750 mm ve RMS10.5 için en az 534 mm olmalıdır (şekil **7**, sayfa 6).
 - Eğer tavan kliması kullanılıyorsa, tavan menfezi (şekil **8** 1, sayfa 7) ile tavan kliması hava çıkışı (şekil **8** 2, sayfa 7) arasındaki mesafe en az 300 mm olmalıdır.
- Buzdolabının performansının düşmesine ve buzdolabının güç tüketiminin artmasına neden olacağından buzdolabı, hava giriş ve çıkış menfezlerinin yan tarafına monte edilmemelidir.
- Hava giriş ve çıkış menfezleri buzdolabı çalışırken araç parçaları (açık araç kapısı veya bisiklet taşıma aparatı gibi aksesuarların takılması gibi) tarafından engellenmemelidir.
- Buzdolabını, düşük performansla yol açacağı ve buzdolabının güç tüketimini artıracığı için aşırı ısıdan korunacak şekilde monte edin.
- Buzdolabı, hava akımına karşı korunaklı bir yere monte edilmelidir.

4.2 Buzdolabının hava akımına karşı korunaklı bir yere monte edilmesi



UYARI! Yangın tehlikesi!

Hava akımına karşı korunaklı bir yere montaj yaparken silikon yalıtım malzemesi, köpük veya benzeri yanıcı malzemeler kullanmayın.

Karavanlarda veya motorlu karavanlarda, gazla çalışan buzdolapları hava akımına karşı korunaklı bir yere kurulmalıdır. Bu, yanma havasının içeriden emilmesi ve egzoz dumanlarının doğrudan yaşam alanına girmesinin engellenmesi anlamına gelir.

Buzdolabının arka paneli ile aracın içi arasına uygun bir conta takılmalıdır.

Üretici, bakım amacıyla sökmeye ve takma işlemini kolaylaştırmak için esnek bir conta kullanılmasını önerir.

Hava akımına karşı korunaklı montaj için üç versiyondan birini seçin (şekil 9, sayfa 8):

Buzdolabının arkasındaki durdurma çubuğu (A)

1. Buzdolabının arkasındaki (3) durdurma çubuğuna (2) esnek bir sızdırmazlık contası (1) yapıştırın.
 2. Buzdolabını esnek sızdırmazlık contalı durdurma çubuğuna doğru itin.
- ✓ Böylece buzdolabının arkasındaki boşluk ile araç içi yalıtılır.

Buzdolabı ve mobilya arasında 5 mm'ye kadar yan boşluk mesafesi (B)

1. Sızdırmazlık contalarını (bkz. bölüm «Aksesuar» sayfa 319) mobilyanın yan tarafına yapıştırın (4).
 2. Buzdolabını, mobilyaların kenarına yapıştırdığınız esnek contalara doğru itin.
- ✓ Böylece buzdolabının arkasındaki boşluk ile araç içi yalıtılır.

Buzdolabı ve mobilya arasında 5 mm ila 10 mm arasında yan boşluk mesafesi (B)

1. Çift kenarlı sızdırmazlık contalarını (bkz. bölüm «Aksesuar» sayfa 319) mobilyanın yan tarafına yapıştırın (4).
 2. Buzdolabını, mobilyaların kenarına yapıştırdığınız çift kenarlı contalara doğru itin.
- ✓ Böylece buzdolabının arkasındaki boşluk ile araç içi yalıtılır.

4.3 Hava giriş ve çıkış menfezlerinin yapılması



NOT

- Burada gösterilen giriş ve çıkış varyasyonlarından sapmalar, üretici tarafından onaylanmalıdır.
- Buzdolabı, yüksek ortam sıcaklıklarında, ancak optimum havalandırma sağlanmışsa maksimum soğutma kapasitesi sağlayabilir.

- Dış duvarda 451 mm x 156 mm boyutunda hava giriş menfezi ve hava çıkış menfezi oluşturun.

Bunu yaparken bilgileri dikkate alın, bkz. bölüm «Montaj hazırlığı» sayfa 321.

Hava giriş menfezinin havalandırma ızgarası, nişin zemini ile aynı hizada monte edilemiyorsa, zemine bir hava giriş menfezi monte edin. Böylece herhangi bir gaz sızıntısı aşağı doğru akabilir.

1. Gaz brülörünün yanında, buzdolabının arkasındaki zeminde (şekil **10** 1, sayfa 9) en az Ø 40 mm'lik bir hava giriş deliği açın.
2. Sürüş sırasında çamur veya pisliğin içeri girmesini önlemek için açıklığın dışını bir sapırtıcı ile koruyun (şekil **10** 2, sayfa 9).

Hava çıkış menfezi yerine tavan menfezi kullanmanız gerekiyorsa:

- Tavanda bir bölüm kesin. Gerekli boyutlar için tavan menfezi kullanım kılavuzuna bakın.
Bunu yaparken bölüm «Montaj hazırlığı» sayfa 321 içeriğindeki bilgileri dikkate alın.

4.4 Havalandırma ızgarasının takılması



NOT

Güvenli çalışmayı sağlamak için yalnızca orijinal Dometic havalandırma ızgaralarını kullanın.

Numara şekil 11 , sayfa 9	Adı
1	Montaj çerçevesi
2	Havalandırma ızgarası
3	Kaydırıcı
4	Havalandırma ızgarası için kış kapağı (aksesuar)
5	Yoğuşma tahliye hortumu için adaptör

1. Montaj çerçevesini monte ederken su geçirmezlik sağlamak için sızdırmazlık elemanı kullanın (şekil **12**, sayfa 9).
2. Montaj çerçevesini yerleştirin ve sıkıca vidalayın (şekil **13**, sayfa 9). Bunun için tüm sabitleme deliklerini kullanın.
3. Hortum adaptörünü gösterildiği gibi monte edin (şekil **14** 1, sayfa 10).
4. Havalandırma ızgarasını gösterildiği gibi takın (şekil **15**, sayfa 10).

4.5 Yoğuşma tahliyesinin montajı



NOT

- Buzdolabı kapağının sık sık açılması, yanlış veya çok sıcakken saklanan yiyecekler nedeniyle buzdolabının içinde yoğuşma oluşabilir.
- Yoğuşma sabit bir eğimle tahliye edilmelidir.

Yoğuşma tahliyesini aşağıdaki gibi monte edin:

- ▶ Yoğuşma hortumunu doğrudan havalandırma ızgarasındaki adaptöre takın (şekil **14** 2, sayfa 10).

4.6 Tavan menfezinin montajı

Numara
şekil **16**, sayfa 10

Adı

1	Başlık
2	Montaj çerçevesi

1. Montaj çerçevesini monte ederken su geçirmezlik sağlamak için sızdırmazlık elemanı kullanın (şekil **17**, sayfa 10).
2. Montaj çerçevesini yerleştirin ve sıkıca vidalayın (şekil **18**, sayfa 11). Bunun için tüm sabitleme deliklerini kullanın.
3. Başlığı yerleştirin ve sıkıca vidalayın (şekil **19**, sayfa 11).

4.7 Buzdolabını sabitleme



DİKKAT!

Buzdolabını yalnızca üzerindeki sabitleme yuvalarını kullanarak vidalayın, aksi takdirde köpük bileşenler veya kablolar hasar görebilir.



NOT

Yan duvarları veya takılan çıtaları, vidalar artan yükler altında bile (sürüş sırasında) sıkı olacak şekilde sabitleyin.

1. Buzdolabını nihai konumuna taşıyın.
2. Vidaları (şekil **20** 1, sayfa 11), buzdolabının yanlarındaki plastik kılıftan geçirin ve daha sonra vidaları sıkarak duvara sabitleyin.
3. Kapakları (şekil **20** 2, sayfa 11) vida başlarına takın.

5 Buzdolabının bağlanması

5.1 Gaz kaynağına bağlanması



UYARI! Bu uyarılara uyulmaması can kaybı veya ağır yaralanmaya sebep olabilir. Sağlık için tehlike

- Bu buzdolabı, yalnızca bir uzman tarafından geçerli ulusal yönergeler ve standartlara uygun olarak bir gaz kaynağına bağlanmalıdır.
- Hortum bağlantısına izin **verilmez**.
- Metal contalı vida bağlantısı kullanın.
- Buzdolabı gaz bağlantısındaki gaz filtresi (beyaz) çıkarılmamalıdır.
- Sadece onaylanmış bir basınç düşürme valfi ve uygun bir kafa ile propan veya bütan gazı tüpleri (doğal gaz veya şehir gazı kullanılamaz) kullanın. Tip plakasındaki basınç bilgilerini propan veya bütan gazı tüpü üzerindeki basınç regülatöründeki basınç bilgileriyle karşılaştırın.
- Buzdolabını **yalnızca** tip plakasında belirtilen basınçta çalıştırın.
- Buzdolabını **yalnızca** tip plakasında belirtilen gaz türüyle çalıştırın.
- Lütfen ülkenizde izin verilen basınçlara dikkat edin. Sadece ulusal yönetmeliklere uygun sabit ayarlı basınç kontrol cihazlarını kullanın.



NOT

İsteğe bağlı olarak tesisatı gerilimsiz tutmak için Dometic esnek gaz bağlantı borusunu kullanabilirsiniz.

Buzdolabının gaz hattından ayrı olarak bir kapatma cihazı ile kapatılması mümkün olmalıdır. Kapatma cihazı kolayca erişilebilir olmalıdır.

1. Buzdolabını elle emniyetli bir şekilde gaz kaynağına bağlayın (şekil **21**, sayfa 11).



UYARI! Patlama tehlikesi

Aşağıdaki sıkma torklarına uymanız çok önemlidir:

şekil **21**, sayfa 11 içeriğindeki ürün

Adı

1

M4 vida (Torx TX20),
Sıkma torku: 2 Nm

şekil 21, sayfa 11 içeriğindeki ürün	Adı
2	Buzdolabı gaz bağlantısı: M14 x 1,5 (d = 8 mm/ISO 8434 (DIN 2353))
3	Halka manşonlu gaz borusu (boyut 17), Sıkma torku: 25 Nm

- Profesyonel kurulumdan sonra yetkili bir uzmana sızıntı testi ve alev testi yaptırın. Size bir denetim sertifikası verildiğinden emin olun ve bu sertifikayı saklaması için son kullanıcıya verin.

5.2 DC ve AC güç kaynaklarına bağlama



UYARI! Bu uyarılara uyulmaması can kaybı veya ağır yaralanmaya sebep olabilir. Elektrik çarpması tehlikesi

Elektrik tesisatı ve onarımları yalnızca bir uzman tarafından yürürlükteki ulusal düzenlemelere ve standartlara uygun olarak gerçekleştirilmelidir.



NOT

- Hava sirkülasyonunun bozulmasını önlemek ve cihaz fişini su sıçramalarından korumak için cihaz fişi doğrudan havalandırma ızgarasının arkasına yerleştirilmemelidir.
- AC bağlantı kablosunun fişi kesilmemelidir.
- Bağlantı kabloları, cihazın/brülörün sıcak kısımlarına veya keskin kenarlara temas etmeyecek şekilde döşenmelidir.
- Dahili elektrik tesisatındaki değişiklikler veya diğer elektrikli bileşenlerin (örn. üçüncü taraflara ait ekstra fanlar) buzdolabının dahili kablo tesisatına bağlanması, garanti ve ürün sorumluluğundan doğan her türlü talebi geçersiz kılar.
- RM10.5 ve RMS10.5 buzdolapları bir CI veri yolu arabirimine sahiptir ve uyumlu bir merkezi araç ekranı aracılığıyla kontrol edilebilir.

Buzdolabının devre şeması (şekil 22, sayfa 12)

**şekil 22,
sayfa 12 içe-
riğindeki
ürün**

Adı

1	Fan 1 (seçenekler modülü varsa)
2	Seçenekler modülü (isteğe bağlı)
3	Fırın DC besleme (seçenekler modülü varsa)
4	Güç modülü DC besleme
5	NTC 2: Dış ortam sıcaklığı (isteğe bağlı)
6	NTC 1: Taze gıda sıcaklık sensörü
7	Gaz valfi
8	Aydınlatma
9	Manyetik anahtar
10	S+ (isteğe bağlı)
11	Isıtma elemanı DC
12	15 A sigorta
13	Isıtma kartuşu için DC röle
14	Gaz girişi
15	DC bağlantı bloğu
16	Elektronik bileşenler için DC besleme kablosu
17	Isıtma elemanı DC besleme kablosu
18	CI-Bus bağlantısı
19	AC güç kaynağı
20	Isıtma elemanı AC
21	Toprak
22	AC koruma Toprak
23	Ateşleme elektrodu
24	Güç modülü
25	Ekran modülü

DC güç**UYARI! Yangın tehlikesi**

- Isıtma elemanına giden besleme hattı, 15 A'lık bir sigorta ile korunmalıdır.
- Elektronik bileşenlere giden besleme hattı, 2 A'lık bir sigorta ile korunmalıdır.

**İKAZ!**

Elektronik bileşenler (şekil **22** 16, sayfa 12) ve ısıtma elemanı (şekil **22** 17, sayfa 12) için kullanılan DC bağlantıların artı ve eksi besleme hatları **birleştirilemez** ve tek bir kablo üzerinden taşınmaz. Bu, elektriksel parazite veya elektrikli bileşenlerde hasara neden olabilir.

Lütfen aşağıdaki kablo boyutlarına dikkat edin (şekil **23**, sayfa 14):

- Isıtıcı eleman bağlantıları:
 - <6 m (iç mekanda): $\geq 6 \text{ mm}^2$
 - >6 m (iç mekanda): $\geq 10 \text{ mm}^2$
 - Çeki demiri üzerinden beslenen kablo (yalnızca karavanlar): $\geq 2,5 \text{ mm}^2$
 - Elektronik bileşenlerin bağlantıları: $\geq 0,75 \text{ mm}^2$
 - D+ ve S+ bağlantıları: $\geq 0,75 \text{ mm}^2$
1. DC soketinizi aşağıda belirtildiği gibi birleştirin (şekil **22**, sayfa 12):
 - **A** ve **C**'yi akünün artı kutbuna bağlayın.
 - **D** ve **F**'yi şaseye bağlayın.
 - **B**'yi D+ sinyaline bağlayın.
Buzdolabının elektronik bileşenleri çalışan araç motorunu algılama için alternatif D+ sinyalini kullanır. Otomatik modda, buzdolabı mevcut olan en uygun modu seçer. Buzdolabı yalnızca araç motoru çalışırken doğru akımla çalışır.
 - **E**'yi CI-BUS'a bağlayın.
 2. **10**'u S+ sinyaline bağlayın (isteğe bağlı).
 3. Besleme hattı **A**'yı aracın güç dağıtım kutusundaki 2 A'lık bir sigortayla koruyun.
 4. Besleme hattı **C**'yi aracın güç dağıtım kutusundaki 15 A'lık bir sigortayla koruyun.
 5. Besleme hattı **C**'yi ateşleme kontrollü bir röle üzerinden çalıştırın.
Bu, araç motoru yanlışlıkla kapatılırsa akünün tamamen boşalmasını önler.

AC güç

- Cihazın fişini kullanarak buzdolabını bir AC prize bağlayın.

6 Atık İmhası

Şarj edilmeyen piller, bataryalar veya ışık kaynakları içeren ürünlerin geri dönüşümü



- Ürün şarj edilmeyen piller, bataryalar veya ışık kaynakları içeriyorsa, bunları imhadan önce çıkarmanıza gerek yoktur.
- Bu ürünü nihai olarak imha etmek istiyorsanız, bu işlemin geçerli imha yönetmeliklerine göre nasıl yapılacağı hakkında ayrıntılı bilgi için yerel geri dönüşüm merkezine veya uzman satıcınıza danışın.
- Ürün ücretsiz olarak imha edilebilir.




Ambalaj malzemesi geri dönüşümü



- Ambalaj malzemesini mümkünse ilgili geri dönüşüm atık sistemine kazandırın.

7 Teknik Bilgiler

	RM10.5(S)(T)	RMS10.5(S)(T)	RMS10.5X(S)(T)
Bağlantı gerilimi:	230 V~ /50 Hz 12 Vg		
Gaz Miktarı			
Brüt kapasite:	88 l	78 l	92 l
Buzdolabı bölmesi:	78,7 l	69,1 l	80,3 l
Dondurucu bölmesi:	9,2 l	9,2 l	12,1 l
Toplam net kapasite:	86 l	76 l	90 l
Dondurucu bölmesi hariç			
Brüt kapasite:	93 l	83 l	98 l
Kullanılabilir kapasite:	91 l	81 l	96 l
Güç girişi:	135 W (230 V~) 130 W (12 Vg)		
Enerji tüketimi:	2,8 kWh/24 sa. (230 V~)	2,5 kWh/24 sa. (230 V~)	3,2 kWh/24 sa. (230 V~)
Gaz tüketimi:	270 g/24 sa.		
Gaz bağlantı basıncı:	30 mbar		
İklim Sınıfı:	SN		

	RM10.5(S)(T)	RMS10.5(S)(T)	RMS10.5X(S)(T)
Boyutlar Y x G x D:	821 x 523 x 548 mm		821 x 523 x 603 mm
Ağırlık:	28 kg	27,4 kg	29 kg
Muayene/sertifika:			

Cihazınızın güncel AB Uygunluk Beyanı için lütfen dometic.com adresindeki ilgili ürün sayfasına bakın veya doğrudan üretici ile iletişime geçin (bkz. dometic.com/dealer).

Daha fazla ürün bilgisi, ürün üzerindeki enerji etiketindeki QR kodu veya eprel.ec.europa.eu aracılığıyla edinilebilir.

Pozorno preberite in upoštevajte vsa navodila, smernice in opozorila iz tega priročnika, da zagotovite pravilno vgradnjo, uporabo in vzdrževanje izdelka. Ta navodila je TREBA hraniti skupaj z izdelkom.

Z uporabo izdelka potrjujete, da ste pozorno prebrali vsa navodila, smernice in opozorila ter razumete in upoštevate vsa določila ter pogoje v tem dokumentu. Strinjate se, da boste izdelek uporabljali samo za predvideni namen uporabe in v skladu z navodili, smernicami in opozorili v tem priročniku ter v skladu z vsemi veljavnimi zakoni in predpisi. Če navodil in opozoril v nadaljevanju ne preberete in ne upoštevate, lahko poškodujete sebe in druge, svoj izdelek ali povzročite materialno škodo v bližini. Pridržujemo si pravico do sprememb in posodobitev priročnika, vključno z navodili, smernicami in opozorili ter povezano dokumentacijo. Za najnovejšo informacije o izdelku obiščite documents.dometic.com, [dometic.com](https://documents.dometic.com).



Podrobna navodila za uporabo in informacije o tehničnih podatkih najdete na spletu na naslovu
https://documents.dometic.com/?object_id=69924

Kazalo

1	Razlaga simbolov	333
2	Varnostni napotki	334
3	Pribor	336
4	Predvidena uporaba	336
5	Priključitev hladilnika	344
6	Odstranjevanje	348
7	Tehnični podatki	348

1 Razlaga simbolov



OPOZORILO!

Varnostni napotki: Označuje nevarno situacijo, ki lahko povzroči smrt ali hude poškodbe, če ni preprečena.



POZOR!

Varnostni napotki: Označuje nevarno situacijo, ki lahko povzroči lažje ali zmerne poškodbe, če ni preprečena.



OBVESTILO!

Označuje nevarno situacijo, ki lahko povzroči materialno škodo, če ni preprečena.

**NASVET**

Dodatne informacije za upravljanje izdelka.

2 Varnostni napotki



OPOZORILO! Neupoštevanje teh opozoril lahko povzroči smrt ali hude poškodbe.

Nevarnost električnega udara

- Vgradnjo in odstranitev hladilnika sme opraviti samo ustrezno usposobljeno osebo.
- Vsa popravila na tem hladilniku naj izvajajo samo ustrezno usposobljeni serviserji. Neustrezna popravila so lahko zelo nevarna, lahko pa tudi poškodujejo hladilnik.
- Če je priključni kabel tega hladilnika poškodovan, ga mora zamenjati proizvajalec, njegova servisna služba oziroma ustrezno usposobljena oseba ali služba. V nasprotnem primeru obstaja nevarnost za uporabnika.
- Pri nameščanju hladilnika bodite pozorni, da napajalnega kabla ne boste zagozdili ali poškodovali.
- Za hladilnikom ne sme biti razdelilnih podaljškov ali prenosnih virov napajanja.
- Napravo priključite v vtičnice, ki zagotavljajo ustrezno zaščito, predvsem ko mora biti naprava ozemljena.

Nevarnost eksplozije

- Nikoli ne odpirajte absorpcijskega agregata. Je pod visokim tlakom in vas lahko poškoduje, če ga odprete.
- V hladilniku ne hranite eksplozivnih snovi, npr. razpršilnikov s potisnim plinom.
- Naprava sme **izključno** obratovati pri tlaku, ki je naveden na tipski ploščici. Uporabljajte samo fiksno nastavljene regulatorje tlaka, ki ustrezajo nacionalnim predpisom (v Evropi je to standard EN 12864).

Nevarnost požara

- Če uporabite silikonsko tesnilno maso ali podobno, pazite, da delo opravite čisto in brez ostankov mase. Če silikonske niti pridejo v stik z vročimi deli ali odprtim ognjem, obstaja nevarnost požara.

- Tesnjenja naprave nikoli ne preverjajte z odprtim ognjem.
- Uporabite le propan ali butan (**ne** zemeljskega plina).
- Hladilno sredstvo v hladilnem krogotoku je lahko vnetljivo, v primeru puščanja pa lahko pride do nakopičenja gorljivih plinov, če je naprava v majhnem prostoru.
V primeru, da se hladilni krogotok poškoduje (vonj amoniaka):
 - Hladilniku ne približujte odprtih plamenov ali drugih potencialnih virov vžiga.
 - Prostor dobro prezračite.
 - Izklopite hladilnik.

Nevarnost za zdravje

- Če na napravi opazite vidne znake poškodb, je ne uporabljajte.
- Če je priključni kabel za izmenični tok te naprave poškodovan, ga mora zamenjati proizvajalec, njegov serviser oziroma ustrezno usposobljena oseba, sicer obstaja nevarnost za uporabnika.

Nevarnost zagozditve otrok

- Prepričajte se, da so police nameščene in zavarovane, da se otroci ne bodo mogli zapreti v hladilnik.
- Preden odstranite svoj stari hladilnik:
 - Odstranite predale.
 - Police pustite v hladilniku, da otroci ne bodo mogli zlesti v hladilnik.



POZOR! Neupoštevanje teh svaril lahko povzroči lažje ali srednje poškodbe.

Nevarnost električnega udara

- Pred vklopom naprave vedno preverite, ali sta vtič in priključni kabel suha.

Nevarnost zmečkanja

- Ne potiskajte prstov v tečaj.

Nevarnost za zdravje

- Da bi preprečili nevarnost zaradi nestabilnosti hladilnika, ga je treba pritrditi v skladu z navodili za vgradnjo.
- Hladilnega krogotoka ne smete odpirati ali poškodovati.



OBVESTILO! Nevarnost poškodb

- Napravo med transportom primite le za korpus naprave. Naprave nikoli ne prijemajte za absorpcijski agregat, hladilna rebra, plinske vode, vrata ali upravljalno ploščo.

- Naprave ne vgradite v bližino odprtega ognja ali drugih toplotnih virov (grelci, plinske peči itd.).
- **Nevarnost pregretja!**
Vedno poskrbite, da se toplota, ki se sprošča med delovanjem, zadostno odvajata. Poskrbite, da bo razmik med napravo in sosednjimi stenami ali predmeti zadoščal za ustrezno kroženje zraka.
- Preverite, ali se podatki o napetosti na podatkovni ploščici ujemajo s podatki na napajanju.
- Napravo priključite v vtičnico izmeničnega toka le s pripadajočim priključnim kablom za izmenični tok.
- Uporabite le kabel z ujemajočim prečnim prerezom vodnika.
- Vtiča iz vtičnice nikoli ne vlecite tako, da držite za priključni kabel.
- Naprava ne sme biti izpostavljena dežju.

3 Pribor

Opis

Upogljivi plinski cevovod

Tesnilo za neprepustno vgradnjo za reže od 1 – 5 mm (sl. **9 B**, stran 7)

Tesnilo za neprepustno vgradnjo za reže od 5 – 10 mm (sl. **9 C**, stran 7)

Zimski pokrov WA 130 za prezračevalno rešetko LS 200

Kabel adapterja

- WAGO v CEE
- WAGO v UK
- WAGO v JST
- WAGO v MATE-N-LOK

Izbirni ventilatorski komplet REF-FANKIT

Izbirni komplet baterij R10-BP za samostojni način delovanja na plin

Izbirni komplet za shranjevanje

4 Predvidena uporaba

Hladilnik je primeren za:

- namestitev v prikolicah in avtomobih;

- hlajenje, zamrzovanje in shranjevanje živil.

Hladilnik ni primeren za:

- shranjevanje zdravil,
- shranjevanje korozivnih snovi ali snovi, ki vsebujejo topila;
- hitro zamrzovanje živil.

Hladilnik je predviden za vgradnjo v omarico ali vgradno nišo.

Hladilnik ni predviden za uporabo v gospodinjstvu.

Zamrzovalni predel je primeren za shranjevanje predhodno zamrznjene hrane, shranjevanje ali pripravo sladoleda in kock ledu. Ni pa primeren za zamrzovanje predhodno odmrznjenih živil.

Ta izdelek je primeren samo za predvideni namen in uporabo v skladu s temi navodili.

V tem priročniku so navedene informacije, ki jih je treba upoštevati za pravilno vgradnjo in/ali delovanje izdelka. Aparat zaradi slabe vgradnje in/ali nepravilne uporabe oziroma vzdrževanja ne bo dobro deloval in se lahko pokvari.

Proizvajalec ne sprejema nobene odgovornosti za telesne poškodbe ali poškodbe izdelka, do katerih pride zaradi:

- napačne vgradnje ali priklopa oziroma neustrezne napetosti;
- neustreznih vzdrževalnih del ali uporabe neoriginalnih nadomestnih delov, ki jih ni dobavil proizvajalec;
- sprememb izdelka brez izrecnega dovoljenja proizvajalca;
- uporabe za namene, ki niso opisani v navodilih.

Družba Dometic si pridržuje pravico do spremembe videza in specifikacij izdelka.

Ta izdelek je primeren samo za predvideni namen in uporabo v skladu s temi navodili.

V tem priročniku so navedene informacije, ki jih je treba upoštevati za pravilno vgradnjo in/ali delovanje izdelka. Aparat zaradi slabe vgradnje in/ali nepravilne uporabe oziroma vzdrževanja ne bo dobro deloval in se lahko pokvari.

Proizvajalec ne sprejema nobene odgovornosti za telesne poškodbe ali poškodbe izdelka, do katerih pride zaradi:

- Napačne vgradnje ali priklopa oziroma neustrezne napetosti;
- Neustreznih vzdrževalnih del ali uporabe neoriginalnih nadomestnih delov, ki jih ni dobavil proizvajalec;
- Sprememb izdelka brez izrecnega dovoljenja proizvajalca;

- Uporabe za namene, ki niso opisani v navodilih.

Družba Dometic si pridržuje pravico do spremembe videza in specifikacij izdelka.

Vgradnja hladilnika



POZOR! Nevarnost za zdravje

Da bi preprečili nevarnost zaradi nestabilnosti naprave, jo je treba pritrčiti v skladu s temi navodili.



Priročnik za zamenjavo vratnega zapirala in dekorativne plošče najdete na spletu na naslovu <https://dometic.com/manuals>

4.1 Priprava vgradnje



OBVESTILO!

- Hladilnika ni dovoljeno vgraditi v zadnji del avtodoma z vrati obrnjenimi v smeri vožnje.
- Da zagotovite varno delovanje, uporabljajte samo originalne prezračevalne rešetke Dometic.

Pri vgradnji hladilnika upoštevajte naslednje napotke:

- Tla morajo biti trdna in ravna.
Zato vozilo parkirajte na ravnem terenu.
- Hladilnik mora biti izravnán.
- Hladilnik je treba vgraditi tako, da
 - je dobro dostopen za servisiranje;
 - ga je mogoče z lahkoto demontirati in vgraditi;
 - ga je mogoče brez težav odnesti iz vozila.
- Hladilnik mora biti vgrajen v nišo, da pri premikanju vozila ostane na mestu. Pri tem upoštevajte naslednje dimenzije (sl. **1**, stran 3 in sl. **2**, stran 4):

	RM 10.5(S)(T)	RMS 10.5(S)(T)	RMS10.5X(S)(T)
Hladilnik			
Skupne dimenzije v mm			
Višina (A)	821	821	821
Širina (B)	523	523	523
Globina (C) (ne vključuje upravljalnega gumba 5mm)	548	548	603
Niša			
Dimenzije v mm			
Višina (H)	≥829	≥829	≥829
Širina (W)	≥525,5	≥525,5	≥525,5
Globina (D)	≥563	≥563	≥618

- Hladilnik mora ob namestitvi biti vsaj 5 mm odmaknjen od tal, da se bodo vrata lahko pravilno odpirala (sl. **3**, stran 4).
 - Hladilnika ne postavljajte neposredno na tla.
 - Preproge ne smejo ovirati premikanja vrat.
- Zunanja stena mora imeti odprtino za dovod (sl. **4** 1, stran 4) in odvod zraka (sl. **4** 2, stran 4) s prezračevalno rešetko, da se lahko nastala toplota brez težav odvaja ven:
 - Odprtina za dovod zraka: prezračevalno rešetko namestite čim bolj plosko na površino vgradne niše.
 - Odprtina za odvod zraka: čim višje nad hladilnikom.
 - Razdalja med odprtinama za dovod in odvod zraka mora znašati najmanj 750 mm za RM10.5 in 534 mm za RMS10.5 (sl. **5**, stran 5).
- Nad hladilnikom namestite toplotno-prevodno ploščo (sl. **5** 1, stran 5), da se toplota ne kopiči v vozilu.
- Hladilnik mora biti od zadnje stene odmaknjen najmanj 15 in največ 25 mm.
- Če je hladilnik od zadnje stene odmaknjen več kot 25 mm, bo njegovo delovanje slabše, poraba hladilnika pa višja. Da zagotovite zadostno dovajanje in odvajanje zraka, ustrezno zmanjšajte prostor za hladilnikom (sl. **6**, stran 5). V ta namen uporabite npr. prezračevalno ploščo.

- Če ne morete zagotoviti minimalne razdalje med odprtino za dovod in odvod zraka, je treba namesto odprtine za odvod zraka vgraditi stropni odzračevalnik.
 - Stropni odzračevalnik vgradite neposredno nad zadnjo stran hladilnika in čim višje. Uporabite zračni kanal (sl. **7** 1, stran 6), če morate stropni odzračevalnik vgraditi zamaknjeno, sicer se bo tukaj kopičila toplota.
 - Razdalja med odprtino za dovod zraka in stropnim odzračevalnikom mora biti najmanj 750 mm za RM10.5 in 534 mm za RMS10.5 (sl. **7**, stran 6).
 - Če imate vgrajeno strešno klimatsko napravo, mora razdalja med stropnim odzračevalnikom (sl. **8** 1, stran 7) in odprtino za odvod zraka v klimatski napravi (sl. **8** 2, stran 7) znašati najmanj 300 mm.
- Hladilnika ne vgradite z odprtinama za dovod in odvod zraka ob strani, ker bo tako slabše deloval, poraba električne energije pa bo višja.
- Med delovanjem deli vozila (npr. odprta vrata ali nameščena dodatna oprema, kot je denimo nosilec za kolesa) ne smejo prekrivati odprtin za dovod in odvod zraka.
- Hladilnik vgradite tako, da bo zaščiten pred prekomernim toplotnim sevanjem, ker bo tako slabše deloval, poraba električne energije pa bo višja.
- Hladilnik je treba vgraditi na neprepustnem mestu.

4.2 Vgradnja hladilna na neprepustnem mestu



OPOZORILO! Nevarnost požara!

Za neprepustno vgradnjo ni dovoljeno uporabiti vnetljivih materialov, kot so silikonske tesnilne mase, pena in podobno.

Plinski hladilniki morajo biti v avtomodih ali prikolicah vgrajeni na neprepustnem mestu. To pomeni, da se zgorevalni zrak ne zajema iz notranjosti, izpušni plini pa nimajo neposrednega dostopa do bivalnega prostora.

Med hrbtno steno hladilnika in notranjostjo vozila je treba zagotoviti ustrezno tesnjenje.

Proizvajalec priporoča uporabo prožnega tesnila, ki poenostavi demontažo in vgradnjo v primeru vzdrževalnih del.

Za neprepustno vgradnjo uporabite eno od treh različic (sl. **9**, stran 8):

Pritrdilna letev za hladilnikom (A)

1. Prilepite prožno tesnilno lamelo (**1**) na pritrdilno letev (**2**) za hladilnikom (**3**).
2. Kombinacijo hladilnika in pečice potisnite na pritrdilno letev s prožnimi tesnilnimi lamelami.

- ✓ Prostor za hladilnikom je tako zatesnjen proti notranjosti vozila.

Stranski razmik do 5 mm med hladilnikom in pohištvom (B)

1. Nalepite tesnila (glejte pogl. „Pribor“ na strani 336) ob strani na pohištvo (4).
2. Kombinacijo hladilnika in pečice potisnite ob prilagodljiva tesnila na pohištvu.

- ✓ Prostor za hladilnikom je tako zatesnjen proti notranjosti vozila.

Stranski razmik 5 mm do 10 mm med hladilnikom in pohištvom (C)

1. Nalepite dvostransko tesnilo (glejte pogl. „Pribor“ na strani 336) ob strani na pohištvo (4).
2. Kombinacijo hladilnika in pečice potisnite ob dvostransko tesnilo na pohištvu.

- ✓ Prostor za hladilnikom je tako zatesnjen proti notranjosti vozila.

4.3 Izdelava odprtin za dovod in odvod zraka



NASVET

- Odstopanja od izvedb odprtin za dovod in odvod zraka mora odobriti proizvajalec.
- Pri visokih temperaturah okolice lahko hladilnik zagotovi svojo največjo moč hlajenja le, če je poskrbljeno za optimalno dovajanje in odvajanje zraka.

- V zunanji steni izdelajte po eno prezračevalno in odzračevalno odprtino 451 mm x 156 mm.

Pri tem upoštevajte napotke, glejte pogl. „Priprava vgradnje“ na strani 338.

Če prezračevalne rešetke za odprtino za dovod zraka ne morete vgraditi v nivoju tal vgradne niše, odprtino za dovod zraka naredite v tleh. Tako se bo plin, ki bi morda uhajal, širil navzdol.

1. Zadaj za hladilnikom v območju plinskega gorilnika v tleh izdelajte prezračevalno odprtino s \varnothing vsaj 40 mm (sl. 10 1, stran 9).
2. Zunanjo stran odprtine zavarujte z loputo, da blato ali umazanija med vožnjo ne bosta vdiral skozi (sl. 10 2, stran 9).

Če morate namesto odprtine za odvod zraka uporabiti stropni odzračevalnik:

- ▶ V streho izrežite luknjo. Potrebne mere so navedene v navodilih za stropni odzračevalnik.
Pri tem upoštevajte informacije, navedene v pogl. „Priprava vgradnje“ na strani 338.

4.4 Namestitev prezračevalne rešetke



NASVET

Da zagotovite varno delovanje, uporabljajte samo originalne prezračevalne rešetke Dometic.

Št. na sl. 11 , stran 9	Opis
1	Vgradni okvir
2	Prezračevalna rešetka
3	Drsnik
4	Zimski pokrov za prezračevalno rešetko (dodatki)
5	Adapter za gibko cev za izpust kondenzata

1. Zatesnite vgradni okvir, da bo spoj vodoodporen (sl. **12**, stran 9).
2. Vstavite vgradni okvir in ga trdno privijačite (sl. **13**, stran 9). Uporabite vse odprtine za vijake.
3. Adapter gibke cevi namestite, kot je prikazano (sl. **14** 1, stran 10).
4. Vstavite prezračevalno rešetko, kot je prikazano (sl. **15**, stran 10).

4.5 Vgradnja kondenzacijskega odtoka



NASVET

- V hladilniku se lahko zaradi pogostega odpiranja vrat, nepravilno hranjenih živil ali živil, ki jih v hladilnik damo tople, nabere kondenzat.
- Kondenzat je treba odvajati pod stalnim naklonom.

Vgradite kondenzacijski odtok, kot je navedeno v nadaljevanju:

- ▶ Kondenzacijsko cev pritrdite neposredno na adapter na prezračevalni rešetki (sl. **14** 2, stran 10).

4.6 Montiranje stropnega odzračevalnika

Št. na sl. 16 , stran 10	Opis
1	Pokrov
2	Vgradni okvir

1. Zatesnite vgradni okvir, da bo spoj vodoodporen (sl. **17**, stran 10).
2. Vstavite vgradni okvir in ga trdno privijačite (sl. **18**, stran 11). Uporabite vse odprtine za vijake.
3. Namestite pokrov in ga trdno privijačite (sl. **19**, stran 11).

4.7 Pritrjevanje hladilnika



POZOR!

Vedno vrtajte skozi za to predvidene šobe, ker se sicer lahko poškodujejo deli, obdani s peno, kot so vodniki.



NASVET

Stranice ali pritrjene letve pritrдите tako, da vijaki čvrsto držijo tudi v primeru večjih obremenitev (med vožnjo).

1. Hladilnik postavite na mesto, kjer ga boste uporabljali.
2. Vijake (sl. **20** 1, stran 11) privijte skozi plastični ovoj v stranskih stenah hladilnika in naprej v steno.
3. Glave vijakov prekrijte s pokrovčki (sl. **20** 2, stran 11).

5 Priključitev hladilnika

5.1 Priključitev na dovod plina



OPOZORILO! Neupoštevanje teh opozoril lahko povzroči smrt ali hude poškodbe. Nevarnost za zdravje

- Le strokovnjak sme hladilnik priključiti na dovod plina v skladu z veljavnimi nacionalnimi predpisi in standardi.
- Uporaba cevnega priključka **ni** dovoljena.
- Uporabite kovinsko zaprti vijaki spoj.
- Filtra za plin (belega) v priključku za dovod plina v hladilnik ni dovoljeno odstraniti.
- Uporabljajte le plinske jeklenke s propanom ali butanom (ne zemeljskega ali mestnega plina), ki so opremljene z odobrenim tlačnim reducirnim ventilom in primernim priključnim delom. Primerjajte tlak, ki je naveden na tipski ploščici, s tlakom na regulatorju tlaka propanске ali butanske jeklenke.
- Hladilnik sme **izključno** obratovati le pri tlaku, ki je naveden na tipski ploščici.
- Hladilnik sme **izključno** obratovati le z vrsto plina, ki je navedena na tipski ploščici.
- Upoštevajte tlake, ki so dovoljeni v vaši državi. Uporabljajte samo fiksno nastavljene regulatorje tlaka, ki ustrezajo nacionalnim predpisom.



NASVET

Izbirno lahko uporabite prožno plinsko priključno cev Dometic, da sistem ne bo napet.

Dovod plina v hladilnik iz plinskega voda mora biti možno posebej zapreti z zaporno enoto. Zaporna enota mora biti dobro dostopna.

1. Hladilnik z roko dobro priključite na dovod plina (sl. **21**, stran 11).



OPOZORILO! Nevarnost eksplozije

Zelo pomembno je, da upoštevate naslednje pritezne momente:

Element na sl. 21, stran 11 Opis

1	Vijak M4 (križni TX20), Navor zategovanja: 2 Nm
2	Priključek za plin na hladilniku: M14 x 1.5 (d = 8 mm/ISO 8434 (DIN 2353))
3	Plinska cev s tesnilnim obročkom (velikost 17), Navor zategovanja: 25 Nm

2. Po montaži, ki jo opravi strokovnjak, naj pooblaščen servisier opravi še preskus uhajanja plina in preskus s plamenom.
Izdati mora potrdilo o preizkusih, ki ga morate izročiti končnemu uporabniku, da ga shrani.

5.2 Priključitev na enosmerni in izmenični tok



OPOZORILO! Neupoštevanje teh opozoril lahko povzroči smrt ali hude poškodbe. Nevarnost električnega udara

Električno napeljavo in popravila sme izvajati le strokovnjak v skladu z veljavnimi nacionalnimi predpisi in standardi.



NASVET

- Vtič aparata naj ne bo neposredno za prezračevalno rešetko, da ne bo oviral kroženja zraka in ne bo izpostavljen škropljenju vode.
- Vtiča aparata na priključnem kablu na izmenični tok ni dovoljeno odrezati.
- Priključni kabli morajo biti speljani tako, da ne pridejo v stik z vročimi deli aparata/gorilnika ali ostrimi robovi.
- Če boste spreminjali notranjo električno napeljavo ali priključili druge električne naprave (npr. dodaten ventilator drugega proizvajalca) na notranje ožičenje hladilnika, bodo vsakršni garancijski zahtevki in odgovornost za izdelek nični.
- Hladilnika RM10.5 in RMS10.5 imata vmesnik z vodilom CI in ju je mogoče upravljati z združljivega prikazovalnika v vozilu.

Shema tokokroga hladilnika (sl. 22, stran 12)

Element na sl. 22, stran 12	Opis
1	Ventilator 1 (če izbirni modul je na voljo)
2	Izbirni modul (izbirno)
3	Napajanje pečice na enosmerni tok (če izbirni modul je na voljo)
4	Napajanje na enosmerni tok za močnostni modul
5	NTC 2: zunanja temperatura (opcija)
6	NTC 1: Senzor sveže hrane in temperature
7	Plinski ventil
8	Razsvetljava
9	Stikalo reed
10	S+ (izbirno)
11	Grelni element na enosmerni tok
12	15 A varovalka
13	Rele za enosmerni tok za grelni vložek
14	Vhod plina
15	Priključni blok za enosmerni tok
16	Napajalni kabel za enosmerni tok za elektroniko
17	Napajalni kabel za enosmerni tok za grelni element
18	Priključek vhoda za vodilo CI
19	Napajanje na izmenični tok
20	Grelni element na izmenični tok
21	Ozemljitev
22	Ozemljitvena zaščita izmeničnega toka
23	Vžigalna elektroda
24	Močnostni modul
25	Prikazovalni modul

Napajanje na enosmerni tok



OPOZORILO! Nevarnost požara

- Napajalni vod do grelnega elementa mora biti zavarovan z 15 A varovalko.
- Napajalni vod do elektronike mora biti zavarovan z 2 A varovalko.



OBVESTILO!

Posamezni pozitivni in negativni napajalni vodi priključkov enosmernega toka za elektroniko (sl. 22 16, stran 12) in grelni element (sl. 22 17, stran 12) **ne** smejo biti združeni in izvedeni z eno žico. Sicer lahko pride do motenj v električnem napajanju ali poškodb električnih delov.

Upoštevajte naslednje preseke kablov (sl. 23, stran 14):

- Priključni grelnega elementa:
 - <6 m (v notranjosti): $\geq 6 \text{ mm}^2$
 - >6 m (v notranjosti): $\geq 10 \text{ mm}^2$
 - Prek vlečne ojnice speljani kabli (samo prikolice): $\geq 2,5 \text{ mm}^2$
 - Priključki elektronike: $\geq 0,75 \text{ mm}^2$
 - Priključka D+ in S+: $\geq 0,75 \text{ mm}^2$
1. Vtičnico za enosmerni tok namestite na naslednji način (sl. 22, stran 12):
 - Povežite **A** in **C** na pozitivni pol baterije.
 - Povežite **D** in **F** z ozemljitvijo.
 - Povežite **B** s signalom D+.

Elektronika hladilnika za prepoznavanje delovanja motorja vozila uporablja signal D+ generatorja. Hladilnik v samodejnem načinu delovanja izbere najboljši način delovanja. Hladilnik deluje na enosmerni tok samo takrat, ko motor vozila teče.

 - Povežite **E** na vodilo Cl.
 2. Povežite **10** s signalom S+ (izbirno).
 3. Zavarujte napajalni vod A z 2 A varovalko v delilniku napetosti vozila.
 4. Zavarujte napajalni vod **C** z 15 A varovalko v delilniku napetosti vozila.
 5. Dovod **C** speljite prek releja, krmiljenega s ključavnico za vžig. Tako preprečite, da se akumulator povsem izprazni, če motor pomotoma izklopite.

Napajanje na izmenični tok

- Hladilnik z njegovim vtičem priključite v vtičnico na izmenični tok.

6 Odstranjanje

Recikliranje izdelkov z vgrajenimi baterijami, baterijami za ponovno polnjenje ali svetlobnimi viri



▶ Če ima izdelek vgrajene baterije, baterije za ponovno polnjenje ali svetlobne vire, jih pred odstranjanjem ni treba odstraniti.

▶ Ko boste želeli izdelek dokončno odstraniti, se o odstranjanju v skladu z veljavnimi predpisi pozanimajte pri lokalnem centru za zbiranje odpadkov ali specializiranem prodajalcu.



▶ Izdelek je mogoče brezplačno odstraniti.




Recikliranje embalažnega materiala



▶ Embalažni material odstranite v primerne zabojnike za recikliranje odpadkov, če je to mogoče.

7 Tehnični podatki

	RM10.5(S)(T)	RMS10.5(S)(T)	RMS10.5X(S)(T)
Priključna napetost:	230 V~ /50 Hz 12 V==		
Prostornina			
Bruto prostornina:	88 l	78 l	92 l
Hladilnik:	78,7 l	69,1 l	80,3 l
Zamrzovalni predal:	9,2 l	9,2 l	12,1 l
Skupna neto prostornina:	86 l	76 l	90 l
Brez zamrzovalnega predala			
Bruto prostornina:	93 l	83 l	98 l
Neto prostornina:	91 l	81 l	96 l
Napajanje	135 W (230 V~) 130 W (12 V==)		
Poraba električne energije:	2,8 kWh/24 h (230 V~)	2,5 kWh/24 h (230 V~)	3,2 kWh/24 h (230 V~)
Poraba plina:	270 g/24 h		
Tlak za priklop plina:	30 mbar		
Klimatski razred:	SN		

	RM10.5(S)(T)	RMS10.5(S)(T)	RMS10.5X(S)(T)
Mere V x Š x G:	821 x 523 x 548 mm		821 x 523 x 603 mm
Teža:	28 kg	27,4 kg	29 kg
Pregled/certifikat:	  		

Za trenutno izjavo EU o skladnosti za vaš aparat glejte zadevno stran z izdelki na spletnem mestu dometic.com ali se obrnite neposredno na proizvajalca (glejte dometic.com/dealer).

Dostop do dodatnih informacij je mogoč s kodo QR na energetski nalepki na izdelku ali na spletnem mestu eprel.ec.europa.eu.

Citiți cu atenție și respectați toate instrucțiunile, indicațiile și avertismentele incluse în acest manual al produsului pentru a vă asigura că instalați, utilizați și întrețineți corect produsul în permanență. Aceste instrucțiuni TREBUIE păstrate împreună cu produsul.

Prin utilizarea produsului, confirmați că ați citit cu atenție toate instrucțiunile, indicațiile și avertismentele și că înțelegeți și sunteți de acord să respectați termenii și condițiile stabilite. Sunteți de acord să utilizați acest produs numai pentru scopul și aplicația prevăzute și în conformitate cu instrucțiunile, indicațiile și avertismentele prezentate în acest manual al produsului, precum și în conformitate cu toate legile și reglementările aplicabile. Nerespectarea instrucțiunilor și avertismentelor prezentate aici poate duce la vătămarea personală a utilizatorului sau a altora, la deteriorarea produsului sau a altor bunuri din apropiere. Acest manual al produsului, inclusiv instrucțiunile, indicațiile și avertismentele și documentația aferentă pot fi supuse modificărilor și actualizărilor. Pentru informații actualizate despre produs, vizitați documents.dometic.com.



Puteți găsi manualul de utilizare detaliat și informații despre datele tehnice online la
https://documents.dometic.com/?object_id=69924

Cuprins

1	Explicația simbolurilor	350
2	Instrucțiuni de siguranță	351
3	Accesorii	353
4	Domeniul de utilizare	354
5	Conectarea frigiderului	362
6	Eliminarea	366
7	Date tehnice	366

1 Explicația simbolurilor



AVERTIZARE!

Instrucțiuni de siguranță: Indică o situație periculoasă care, dacă nu este evitată, poate provoca moartea sau răni grave.



PRECAUȚIE!

Instrucțiuni de siguranță: Indică o situație periculoasă care, dacă nu este evitată, poate provoca răni minore sau medii.



ATENȚIE!

Indică o situație care, dacă nu este evitată, poate duce la pagube materiale.

**INDICAȚIE**

Informații complementare privind operarea produsului.

2 Instrucțiuni de siguranță



AVERTIZARE! Nerespectarea acestor avertismente poate conduce la moarte sau vătămări grave.

Pericol de electrocutare

- Instalarea și demontarea frigiderului pot fi efectuate numai de către personal calificat.
- Acest frigider poate fi reparat doar de către personal calificat. Reparațiile necorespunzătoare pot duce la un pericol considerabil sau la deteriorarea frigiderului.
- În cazul în care cablul de alimentare al acestui frigider este deteriorat, trebuie înlocuit de către producător, serviciul de asistență pentru clienți al acestuia sau de către o persoană cu o calificare asemănătoare, pentru a evita pericolele de siguranță.
- Când amplasați frigiderul, asigurați-vă că cablul de alimentare nu este prins sau deteriorat.
- Nu amplasați mai multe prize portabile sau surse de alimentare portabile în partea din spate a frigiderului.
- Conectați dispozitivul la prize pentru a asigura o conexiune adecvată, în special atunci când dispozitivul trebuie să fie legat la pământ.

Pericol de explozie

- Nu deschideți niciodată unitatea absorbantă. Este sub presiune ridicată și poate provoca răniri dacă este deschisă.
- Nu depozitați în frigider substanțe cu capacitate de explozie, ca de exemplu spray-uri cu agent propulsor.
- Exploatați dispozitivul **numai** la presiunea indicată pe plăcuța cu date tehnice. Folosiți numai controlere de presiune cu setare fixă care respectă reglementările naționale (în Europa, EN 12864).

Pericol de incendiu

- Asigurați o manipulare curată și fără reziduuri dacă este folosit un etanșant siliconic sau similar. Există riscul de incendiu dacă filamentele de silicon intră în contact cu piese fierbinți sau flăcări deschise.
- Nu folosiți niciodată o flăcără deschisă pentru a verifica dacă dispozitivul prezintă scurgeri.
- Folosiți doar propan sau butan (**nu** gaz natural).
- Agentul frigorific din circuitul frigorific este foarte inflamabil și, în cazul unei scurgeri, se pot acumula gaze combustibile dacă aparatul se află într-o încăpere mică.
În caz de deteriorare a circuitului frigorific (miros de amoniac):
 - Țineți flăcările deschise și sursele potențiale de aprindere departe de frigider.
 - Aerișiți bine încăperea.
 - Opriți frigiderul.

Pericol pentru sănătate

- În cazul în care prezintă defecțiuni vizibile, nu este permisă punerea aparatului acestuia în funcțiune.
- În cazul în care cablul de alimentare c.a. al acestui dispozitiv este deteriorat, trebuie înlocuit de către producător, un agent de service sau de către o persoană cu o calificare asemănătoare, pentru a evita pericolele de siguranță.

Risc de blocare a copilului

- Aveți grija ca sertarele să fie montate și fixate astfel încât copiii să nu se poată bloca în frigider.
- Înainte de a arunca frigiderul vechi:
 - Demontați sertarele.
 - Lăsați rafturile în frigider astfel încât copiii să nu se poată urca înăuntru.



PRECAUȚIE! Nerespectarea acestor precauții poate conduce la vătămări minore sau moderate.

Pericol de electrocutare

- Înainte de a porni aparatul, asigurați-vă că linia de alimentare și ștecherul sunt uscate.

Risc de strivire

- Nu introduceți degetele în balama.

Pericol pentru sănătate

- Pentru a preveni pericolul din cauza instabilității frigiderului, trebuie să fie fixat în conformitate cu instrucțiunile de instalare.
- Nu deschideți și nu deteriorați circuitul de agent frigorific sub nicio circumstanță.

**ATENȚIE! Pericol de defectare**

- Țineți dispozitivul numai de corpul acestuia în timpul transportului. Nu țineți niciodată dispozitivul de unitatea de absorbție, aripiorele de răcire, conductele de gaz, ușa sau panoul de comandă.
- Nu instalați dispozitivul în apropierea flăcărilor deschise sau a altor surse de căldură (sisteme de încălzire, lumină directă a soarelui, cuptoare pe gaz etc.).
- **Pericol de supraîncălzire!**
Aveți în vedere ca, căldura formată în timpul funcționării să poată fi disipată suficient. Asigurați-vă că dispozitivul este suficient de departe de pereți și de alte obiecte, astfel încât aerul să poată circula.
- Comparați indicația tensiunii de pe plăcuța de date tehnice cu cele ale furnizorului de energie existent.
- Racordați dispozitivul la rețeaua electrică de alimentare numai cu cablul de racord furnizat.
- Folosiți doar cabluri de dimensiune adecvată.
- Nu scoateți niciodată ștecherul din priză ținând de cablu.
- Dispozitivul nu trebuie expus ploii.

3 Accesorii

Denumire

Conducte flexibile de gaz

Garnitură anticurent pentru spații de 1 – 5 mm (fig. **9 B**, pagină 7)

Garnitură anticurent pentru spații de 5 – 10 mm (fig. **9 C**, pagină 7)

Capac de iarnă WA 130 pentru grila de aerisire LS 200

Denumire

Cablu adaptor

- WAGO la CEE
- WAGO la UK
- WAGO la JST
- WAGO la MATE-N-LOK

Kit ventilator opțional REF-FANKIT

Acumulator opțional R10-BP pentru funcționare independentă cu gaz

Kit de depozitare opțional

4 Domeniul de utilizare

Frigiderul este adecvat pentru:

- instalare în rulote și autorulote
- răcirea, congelarea și depozitarea alimentelor

Frigiderul nu este adecvat pentru:

- depozitarea medicamentelor
- depozitarea substanțelor corozive sau a substanțelor care conțin solvenți
- congelarea rapidă a alimentelor

Frigiderul este destinat instalării într-un corp de dulap sau într-o nișă de montare.

Acest frigider nu este destinat utilizării în aplicații casnice.

Compartimentul pentru alimente congelate este adecvat depozitării alimentelor precongelate, depozitării sau preparării înghețatei și prepararea cuburilor de gheață. Nu este adecvat congelării alimentelor care nu au fost congelate anterior.

Acest produs este potrivit numai pentru scopul și utilizarea prevăzute în conformitate cu aceste instrucțiuni.

Acest manual oferă informații necesare pentru instalarea și/sau utilizarea corectă a produsului. Instalarea defectuoasă și/sau utilizarea sau întreținerea necorespunzătoare vor avea ca rezultat performanțe nesatisfăcătoare și o posibilă defectare.

Producătorul nu își asumă nicio răspundere pentru orice vătămare sau deteriorare a produsului rezultate din:

- Asamblarea sau conectarea incorectă, inclusiv supratensiunea
- Întreținerea sau utilizarea incorectă a pieselor de schimb, altele decât piesele de schimb originale furnizate de producător
- Modificări aduse produsului fără aprobarea explicită din partea producătorului
- Utilizarea în alte scopuri decât cele descrise în manual

Dometic își rezervă dreptul de a modifica aspectul și specificațiile produsului.

Acest produs este potrivit numai pentru scopul și utilizarea prevăzute în conformitate cu aceste instrucțiuni.

Acest manual oferă informații necesare pentru instalarea și/sau utilizarea corectă a produsului. Instalarea defectuoasă și/sau utilizarea sau întreținerea necorespunzătoare vor avea ca rezultat performanțe nesatisfăcătoare și o posibilă defectare.

Producătorul nu își asumă nicio răspundere pentru orice vătămare sau deteriorare a produsului rezultate din:

- Asamblarea sau conectarea incorectă, inclusiv supratensiunea
- Întreținerea sau utilizarea incorectă a pieselor de schimb, altele decât piesele de schimb originale furnizate de producător
- Modificări aduse produsului fără aprobarea explicită din partea producătorului
- Utilizarea în alte scopuri decât cele descrise în manual

Dometic își rezervă dreptul de a modifica aspectul și specificațiile produsului.

Instalarea frigiderului



PRECAUȚIE! Pericol pentru sănătate

Pentru a preveni pericolul din cauza instabilității dispozitivului, trebuie să fie fixat în conformitate cu instrucțiunile de instalare.



Puteți găsi manualul de instrucțiuni pentru schimbarea opritorului ușii și a plăcii decorative online la <https://dometic.com/manuals>

4.1 Pregătirea instalării



ATENȚIE!

- Frigiderul nu trebuie instalat în spatele caselor mobile, cu ușa orientată în direcția de deplasare.
- Folosiți exclusiv grile de aerisire Dometic, pentru a asigura funcționarea în siguranță.

La instalarea frigiderului, aveți în vedere următoarele:

- Asigurați-vă că podeaua este stabilă și plană.
Parcați vehiculul pe teren orizontal în acest scop.
- Asigurați-vă că frigiderul este la nivel.
- Frigiderul trebuie instalat astfel încât
 - să fie ușor accesibil pentru lucrări de service
 - să fie ușor de dezinstalat și instalat
 - să poată fi scos cu ușurință din vehicul
- Frigiderul trebuie instalat într-o nișă astfel încât să stea fix atunci când vehiculul este în mișcare. Țineți cont de următoarele dimensiuni (fig. **1**, pagină 3 și fig. **2**, pagină 4):

	RM 10.5(S)(T)	RMS 10.5(S)(T)	RMS 10.5X(S)(T)
Frigider	Dimensiunea totală în mm		
Înălțime (A)	821	821	821
Lățime (B)	523	523	523
Adâncime (C) (fără butonul de control de 5 mm)	548	548	603
Nișă	Dimensiune în mm		
Înălțime (H)	≥829	≥829	≥829
Lățime (I)	≥525,5	≥525,5	≥525,5
Adâncime (A)	≥563	≥563	≥618

- Frigiderul trebuie instalat la o distanță minimă de 5 mm de podea, pentru a garanta deschiderea corectă a ușii (fig. **3**, pagină 4).
 - Evitați amplasarea frigiderul direct pe podea.
 - Aveți grijă ca mișcarea liberă a ușii să nu fie obstrucționată de covoare.
- Peretele exterior trebuie să fie prevăzut cu un orificiu de admisie a aerului (fig. **4** 1, pagină 4) și o aerisire de evacuare (fig. **4** 2, pagină 4) cu grile de aerisire, astfel încât căldura generată să poată fi eliberată cu ușurință la exterior:
 - Admisie a aerului: montați grila de aerisire cât mai aliniată cu baza nișei de montaj.
 - Aerisire de evacuare: montați cât mai mult deasupra frigiderului.
 - Distanța dintre orificiul de admisie și cel de evacuare trebuie să fie de cel puțin 750 mm pentru RM10.5 și 534 mm pentru RMS 10.5 (fig. **5**, pagină 5).
- Montați o placă de conducere a căldurii (fig. **5** 1, pagină 5) deasupra frigiderului, astfel încât căldura să nu se acumuleze în vehicul.
- Distanța dintre frigider și peretele din spate trebuie să fie de cel puțin 15 mm, dar nu mai mare de 25 mm.
- O distanță mai mare de 25 mm între frigider și peretele din spate duce la performanțe slabe și crește consumul de energie electrică al frigiderului. Reduceți spațiul din spatele frigiderului pentru a crea o admisie a aerului adecvată și o aerisire a evacuării adecvată (fig. **6**, pagină 5). Pentru acest lucru, folosiți o placă de aerisire, de exemplu.
- Dacă distanța minimă dintre orificiile de admisie și evacuare a aerului nu poate fi respectată, trebuie instalată o aerisire de plafon în loc de aerisirea de evacuare.
 - Aerisirea de plafon trebuie instalată direct deasupra spatelui frigiderului, pe cât posibil. Folosiți o conductă de aer (fig. **7** 1, pagină 6) dacă trebuie să instalați aerisirea de plafon decalată; în caz contrar, se va acumula căldură.
 - Distanța dintre orificiul de admisie și aerisirea de plafon trebuie să fie de cel puțin 750 mm pentru RM10.5 și 534 mm pentru RMS 10.5 (fig. **7**, pagină 6).
 - Dacă este prevăzut un aparat de aer condiționat de plafon, distanța dintre aerisirea de plafon (fig. **8** 1, pagină 7) și evacuarea aparatului de aer condiționat de plafon (fig. **8** 2, pagină 7) trebuie să fie de cel puțin 300 mm.
- Frigiderul nu trebuie instalat în lateral față de orificiile de admisie și de evacuare a aerului, deoarece acest lucru duce la performanțe scăzute și crește consumul de energie electrică al frigiderului.

- Orificiile de admisie și de evacuare a aerului nu trebuie să fie acoperite de elemente ale vehiculului (cum ar fi o ușă deschisă) în timpul funcționării.
- Instalați frigiderul astfel încât să fie protejat de căldură excesivă, deoarece acest lucru duce la performanțe slabe și crește consumul de energie electrică al frigiderului.
- Frigiderul trebuie instalat într-un loc ferit de curent.

4.2 Instalarea frigiderului într-un loc ferit de curent



AVERTIZARE! Pericol de incendiu!

Nu folosiți materiale inflamabile, precum etanșanți siliconici, spumă sau altele similare pentru protecție anticurent.

Frigiderele cu gaz din rulote și autorulote trebuie instalate într-un loc fără curent. Acest lucru înseamnă că aerul de ardere nu este extras din interior și că gazele de evacuare sunt împiedicate să pătrundă direct în spațiul de locuit.

Între panoul din spate al frigiderului și interiorul vehiculului trebuie prevăzută o garnitură adecvată.

Producătorul recomandă utilizarea unei garnituri flexibile, pentru a ușura demontarea și instalarea în scopuri de întreținere.

Selectați una dintre cele trei versiuni pentru instalare anticurent (fig. **9**, pagină 8):

Bară opritoare în spatele frigiderului (A)

1. Lipiți un manșon de etanșare flexibil (**1**) pe o bară opritoare (**2**) în spatele frigiderului (**3**).
 2. Împingeți frigiderul lipit de bara opritoare cu manșonul de etanșare flexibil.
- ✓ Spațiul din spatele frigiderului este etanșat față de interiorul vehiculului.

Spațiul lateral cu dimensiune de până la 5 mm între frigider și mobilier (B)

1. Lipiți manșoanele de etanșare (consultați capitolul „Accesorii” la pagină 353) pe laterala mobilierului (**4**).
 2. Împingeți frigiderul lipit de manșoanele de etanșare de pe mobilier.
- ✓ Spațiul din spatele frigiderului este etanșat față de interiorul vehiculului.

Spațiul lateral cu dimensiune de 5 mm până la 10 mm între frigider și mobilier (B)

1. Lipiți manșoanele de etanșare duble (consultați capitolul „Accesorii” la pagină 353) pe laterala mobilierului (4).
 2. Împingeți frigiderul lipit de manșoanele de etanșare duble de pe mobilier.
- ✓ Spațiul din spatele frigiderului este etanșat față de interiorul vehiculului.

4.3 Realizarea orificiilor de admisie și evacuare a aerului



INDICAȚIE

- Abaterile de la variantele de admisie și evacuare prezentate aici trebuie aprobate de producător.
- La temperaturi ambiante ridicate, frigiderul poate asigura capacitatea sa maximă de răcire doar dacă a fost asigurată aerisirea optimă.

- Realizați un orificiu de admisie și un orificiu de evacuare în peretele exterior, cu dimensiunea de 451 mm x 156 mm.

Când faceți acest lucru, respectați informațiile, consultați capitolul „Pregătirea instalării” la pagină 356.

Dacă grila de aerisire a admisiei aerului nu pot fi instalate la nivel cu podeaua nișei, instalați un orificiu de admisie în podea. Orice scăpări de gaz se pot scurge astfel în jos.

1. Realizați un orificiu de admisie a aerului de cel puțin Ø 40 mm în podea (fig. 10 1, pagină 9) în spatele frigiderului, în apropierea arzătorului cu gaz.
2. Protejați exteriorul orificiului cu un deflector, pentru a preveni pătrunderea noroiului sau murdăriei în timpul conducerii (fig. 10 2, pagină 9).

Dacă trebuie să folosiți o aerisire de plafon în loc de aerisirea de evacuare:

- Tăiați o secțiune în plafon. Consultați manualul de instrucțiuni al aerisirii de plafon pentru dimensiunile necesare.

Când faceți acest lucru, respectați informațiile din capitolul „Pregătirea instalării” la pagină 356.

4.4 Montarea grilei de aerisire



INDICAȚIE

Folosiți exclusiv grile de aerisire Dometic, pentru a asigura funcționarea în siguranță.

Nr. în fig. 11 , pagină 9	Denumire
1	Cadru de montare
2	Grilaj de ventilație
3	Glisor
4	Capac de iarnă pentru grila de aerisire (accesorii)
5	Adaptor pentru furtunul de scurgere a condensului

1. Etanșați cadrul de montare, pentru a face îmbinarea impermeabilă (fig. **12**, pagină 9).
2. Introduceți cadrul de montare și prindeți-l bine cu șuruburi (fig. **13**, pagină 9). Folosiți toate orificiile de fixare pentru aceasta.
3. Instalați adaptorul de furtun după cum este indicat (fig. **14** 1, pagină 10).
4. Introduceți grilajul de aerisire după cum este indicat (fig. **15**, pagină 10).

4.5 Montarea scurgerii de condens



INDICAȚIE

- În interiorul frigiderului se poate forma condens, din cauza deschiderii frecvente a ușii, a alimentelor depozitate incorect sau a alimentelor depozitate când sunt prea calde.
- Condensul trebuie evacuat cu o pantă constantă.

Instalați scurgerea de condens după cum urmează:

- ▶ Atașați furtunul de condens direct la adaptorul de pe grila de aerisire (fig. **14** 2, pagină 10).

4.6 Montarea aerisirii de plafon

Nr. în fig. 16 , pagină 10	Denumire
1	Calotă
2	Cadru de montare

1. Etanșați cadrul de montare, pentru a face îmbinarea impermeabilă (fig. **17**, pagină 10).
2. Introduceți cadrul de montare și prindeți-l bine cu șuruburi (fig. **18**, pagină 11). Folosiți toate orificiile de fixare pentru aceasta.
3. Introduceți calota și prindeți-o bine cu șuruburi (fig. **19**, pagină 11).

4.7 Fixarea frigiderului



PRECAUȚIE!

Înșurubați doar prin bușele furnizate, altfel componentele cu spumă, precum cablurile, pot fi deteriorate.



INDICAȚIE

Atașați pereții laterali sau benzile astfel încât șuruburile să fie strânse, chiar și sub sarcini mari (în timpul conducerii).

1. Mutați frigiderul în poziția sa finală.
2. Strângeți șuruburile (fig. **20** 1, pagină 11) prin mantaua din plastic de pe lateralele frigiderului și mai departe în perete.
3. Montați capacele (fig. **20** 2, pagină 11) pe capetele șuruburilor.

5 Conectarea frigiderului

5.1 Conectarea la sursa de alimentare cu gaz



AVERTIZARE! Nerespectarea acestor avertismente poate conduce la moarte sau vătămări grave. Pericol pentru sănătate

- Acest frigider poate fi conectat la sursa de gaz numai de către un specialist, în conformitate cu îndrumările și standardele naționale.
- Un racord cu furtun **nu** este permis.
- Folosiți un racord înșurubat cu etanșare metalică.
- Filtrul de gaz (alb) din racordul de gaz al frigiderului nu trebuie scos.
- Utilizați numai butelii cu propan sau butan (fără gaz natural sau gaz din rețeaua urbană) cu supapă de reducere a presiunii verificată și piesă frontală potrivită. Comparați indicația presiunii de pe plăcuța de fabricație cu indicația presiunii de pe regulatorul de presiune al buteliei de propan sau butan.
- Exploatați frigiderul **numai** la presiunea indicată pe plăcuța de fabricație.
- Exploatați dispozitivul **numai** cu tipul de gaz indicat pe plăcuța de fabricație.
- Respectați presiunile premise în țara dvs. Folosiți numai controlere de presiune cu setare fixă care respectă reglementările naționale.



INDICAȚIE

Opțional, puteți folosi conducta flexibilă de racord de gaz Dometic, pentru un montaj fără tensiune.

Trebuie să fie posibilă izolarea separată a frigiderului de conducta de gaz printr-un dispozitiv de închidere. Dispozitivul de blocare trebuie să fie ușor accesibil.

1. Racordați frigiderul cu mână la sursa de gaz (fig. **21**, pagină 11).



AVERTIZARE! Pericol de explozie

Este foarte important să respectați următoarele cupluri de strângere:

Element în fig. 21, pagina 11	Denumire
1	Șurub M4 (Torx TX20), Cuplu de strângere: 2 Nm
2	Racord de gaz la frigider: M14 x 1,5 (d = 8 mm/ISO 8434 (DIN 2353))
3	Conductă de gaz cu racord inelar (mărimea 17), Cuplu de strângere: 25 Nm

2. Solicitați un test de scurgeri și un test de flacără din partea unui specialist autorizat, după instalarea profesională.
Asigurați-vă că primiți un certificat de inspecție și înmânați acest certificat utilizatorului final pentru păstrare.

5.2 Conectarea la c.c. și c.a.



AVERTIZARE! Nerespectarea acestor avertismente poate conduce la moarte sau vătămări grave. Pericol de electrocutare

Instalarea și reparațiile electrice pot fi efectuate numai de un specialist, în conformitate cu reglementările și standardele naționale aplicabile.



INDICAȚIE

- Fișa dispozitivului nu trebuie amplasată direct în spatele grilei de aerisire, pentru a împiedica obstrucționarea circulației aerului și a proteja fișa dispozitivului de stropi de apă.
- Fișa cablului de conectare c.a. nu trebuie tăiată.
- Cablurile de conectare trebuie dispuse astfel încât să nu intre în contact cu piese fierbinți ale unității/arzătorului sau cu muchii ascuțite.
- Modificările instalației electrice interne sau conectarea altor componente electrice (de ex., ventilatoare suplimentare de la terți) la cablajul intern al frigiderului vor anula orice pretenție de garanție și răspundere pentru produs.
- Frigiderele RM 10.5 și RMS 10.5 dispun de o interfață de magistrală CI și pot fi comandate printr-un afișaj central de vehicul compatibil.

Schema electrică a frigiderului (fig. 22, pagină 12)

Element în fig. 22, pagină 12	Denumire
1	Ventilator 1(dacă este disponibil modulul de opțiuni)
2	Modul de opțiuni (opțional)
3	Alimentare c.c. cuptor (dacă este disponibil modulul de opțiuni)
4	Alimentare c.c. modul de alimentare
5	NTC 2: Temperatura exterioară (opțional)
6	NTC 1: Senzor de temperatură alimente proaspete
7	Supapă de gaz
8	Iluminat
9	Comutator lamelă
10	S+ (opțional)
11	C.c. element de încălzire
12	Siguranță de 15 A
13	Relev c.c. pentru cartuș de încălzire
14	Admisie gaz
15	Regletă de conexiune c.c.
16	Cablu de alimentare c.c. sistem electronic
17	Cablu de alimentare c.c. element de încălzire
18	Conexiune CI-BUS
19	Alimentarea prin AC
20	C.a. element de încălzire
21	Masă
22	Protecție c.a. masă
23	Electrod de aprindere
24	Modul de alimentare
25	Modul de afișare

Alimentare c.c.**AVERTIZARE! Pericol de incendiu**

- Firul de alimentare pentru elementul de încălzire trebuie protejat cu o siguranță de 15 A.
- Firul de alimentare pentru sistemul electronic trebuie protejat cu o siguranță de 2 A.

**ATENȚIE!**

Firele de alimentare pozitive și negative respective ale conexiunilor c.c. pentru sistemul electronic (fig. 22 16, pagină 12) și elementul de încălzire (fig. 22 17, pagină 12) **nu** trebuie îmbinate pe un singur cablu. Acest lucru poate cauza interferențe electrice sau deteriorarea componentelor electrice.

Aveți în vedere următoarele dimensiuni de cablu (fig. 23, pagină 14):

- Conexiuni element de încălzire:
 - <6 m (în interior): $\geq 6 \text{ mm}^2$
 - >6 m (în interior): $\geq 10 \text{ mm}^2$
 - Cablu trecut prin bara de remorcare (doar la rulote): $\geq 2,5 \text{ mm}^2$
 - Conexiuni sistem electronic: $\geq 0,75 \text{ mm}^2$
 - Conexiuni D+ și S+: $\geq 0,75 \text{ mm}^2$
1. Asamblați priza c.c. după cum urmează (fig. 22, pagină 12):
 - Conectați **A** și **C** la borna pozitivă a bateriei.
 - Conectați **D** și **F** la masă.
 - Conectați **B** la semnalul D+.
Sistemul electronic al frigiderului folosește semnalul D+ al alternatorului pentru a detecta funcționarea motorului. În modul automat, frigiderul selectează modul cel mai favorabil disponibil. Frigiderul este acționat numai cu curent continuu atunci când motorul este în funcțiune.
 - Conectați **E** la CI-BUS.
 2. Conectați **10** la semnalul S+ (opțional).
 3. Protejați firul de alimentare **A** cu o siguranță de 2 A în caseta de distribuție a energiei a vehiculului.
 4. Protejați firul de alimentare **C** cu o siguranță de 15 A în caseta de distribuție a energiei a vehiculului.
 5. Treceți firul de alimentare **C** printr-un releu controlat de aprindere. Acest lucru previne descărcarea completă a bateriei, dacă motorul este oprit accidental.

Alimentare c.a.

- Conectați frigiderul la o priză c.a. folosind fișa dispozitivului.

6 Eliminarea

Reciclarea produselor cu baterii care nu pot fi înlocuite, acumulatori sau surse de lumină




- În cazul în care produsul conține baterii neînlocuibile, acumulatori sau surse de lumină, nu trebuie să le îndepărtați înainte de a le elimina.
- Dacă doriți să eliminați în final produsul, adresați-vă centrului local de reciclare sau distribuitorului pentru detalii despre cum să faceți acest lucru în conformitate cu reglementările privind eliminarea aplicabile.
- Produsul poate fi eliminat gratuit.

Reciclarea materialelor de ambalare

- Depuneți materialul de ambalare pe cât posibil în containerele corespunzătoare de reciclare.

7 Date tehnice

	RM10.5(S)(T)	RMS10.5(S)(T)	RMS10.5X(S)(T)
Tensiunea de racordare:	230 V~ /50 Hz 12 Vg		
Cantitatea de umplere			
Capacitate brută:	88 l	78 l	92 l
Compartiment frigider:	78,7 l	69,1 l	80,3 l
Compartiment de congelare:	9,2 l	9,2 l	12,1 l
Capacitate netă totală:	86 l	76 l	90 l
Fără compartimentul de congelare			
Capacitate brută:	93 l	83 l	98 l
Capacitate utilă:	91 l	81 l	96 l
Puterea consumată:	135 W (230 V~) 130 W (12 Vg)		
Consumul de energie:	2,8 kWh/24 h (230 V~)	2,5 kWh/24 h (230 V~)	3,2 kWh/24 h (230 V~)

	RM 10.5(S)(T)	RMS 10.5(S)(T)	RMS10.5X(S)(T))
Consumul de gaz	270 g/24 h		
Presiunea racordului de gaz:	30 mbar		
Clasa climatică:	SN		
Dimensiuni H x l x A:	821 x 523 x 548 mm		821 x 523 x 603 mm
Greutate:	28 kg	27,4 kg	29 kg
Verificare/certificare:	  		

Pentru declarația actuală de conformitate UE pentru dispozitivul dvs., vă rugăm să consultați pagina de produs respectivă de pe dometic.com sau contactați direct producătorul ([consultați dometic.com/dealer](http://dometic.com/dealer)).

Informații suplimentare despre produs pot fi accesate prin cod QR pe eticheta energetică din figuri sau prin eprel.ec.europa.eu.

Моля, прочетете внимателно тези инструкции и спазвайте всички указания, напътствия и предупреждения, включени в настоящото ръководство, за да сте сигурни че инсталирате, използвате и поддържате правилно този продукт. Инструкциите ТРЯБВА винаги да съпровождат продукта.

Като използвате продукта, потвърждавате, че сте прочели внимателно всички указания, напътствия и предупреждения, и че разбирате и приемате да спазвате правилата и условията, съдържащи се в тях. Съгласявате се да използвате този продукт само по предназначение и в съответствие с указанията, напътствията и предупрежденията, дадени в ръководството на продукта, както и в съответствие с всички приложими закони и разпоредби. Ако не прочетете и не спазвате инструкциите и предупрежденията, това може да доведе до наранявания за Вас или за други хора, шети по продукта или шети по други предмети в близост до него. Това ръководство за продукта, включително указанията, напътствията и предупрежденията и другата документация, подлежи на промяна и обновяване. За актуална информация за продукта, моля, посетете documents.dometic.com.



Пълното ръководство за работа и информация за техническите данни ще намерите онлайн на
https://documents.dometic.com/?object_id=69924

Съдържание

1	Обяснение на символите	368
2	Указания за безопасност.	369
3	Принадлежности	371
4	Използване по предназначение	372
5	Свързване на хладилника	380
6	Изхвърляне	385
7	Технически данни	385

1 Обяснение на символите



ПРЕДУПРЕЖДЕНИЕ!

Инструкция за безопасност: Показва опасна ситуация която, ако не бъде избегната, може да доведе до смърт или тежко нараняване.



ВНИМАНИЕ!

Инструкция за безопасност: Показва опасна ситуация която, ако не бъде избегната, може да доведе до леко или средно нараняване.

**ВНИМАНИЕ!**

Показва ситуация която, ако не бъде избегната, ще доведе до щети по имуществото.

**УКАЗАНИЕ**

Допълнителна информация за боравенето с продукта.

2 Указания за безопасност



ПРЕДУПРЕЖДЕНИЕ! Неспазването на тези предупреждения може да доведе до смърт или сериозни наранявания.

Опасност от електрически удар

- Монтирането и отстраняването на хладилника може да се извършва само от квалифициран персонал.
- Този хладилник може да бъде ремонтиран само от квалифициран персонал. Неправилен ремонт може да доведе до значителни опасности или повреда на хладилника.
- Ако захранващият кабел на хладилника е повреден, той трябва да бъде сменен от производителя, отдела за обслужване на клиенти или друго квалифицирано лице, за да се предотвратят опасности.
- Когато разполагате хладилника се уверете, че захранващият кабел не е прищипан или увреден.
- Не поставяйте разклонители или подвижни захранвания към задната част на хладилника.
- Свързвайте уреда към електрически контакти, които осигуряват правилно свързване, особено когато уредът трябва да бъде заземен.

Опасност от експлозия

- Никога не отваряйте адсорбера. Той се намира под налягане и може да нарани някого при отваряне.
- Не съхранявайте в хладилника взривни вещества, като например кутии за пръскане с експлозивни.
- Работете с уреда **само** при налягането, показано на табелката с данни. Използвайте само регулатори на налягането с фиксирана настройка, която отговаря на националните разпоредби (в Европа EN 12864).

Опасност от пожар

- Уверете се, че работите без остатъци и почистете след използване на силиконов или подобен уплътнител. Съществува риск от пожар, ако силиконовите нишки влязат в контакт с горещи части или открит пламък.
- Никога не използвайте открит пламък, за да проверите уреда за течове.
- Използвайте само пропан или бутан газ (**не** природен газ).
- Хладилният агент във веригата на хладилния агент е силно запалим и в случай на изтичане горими газове могат да се натрупат, ако уредът е в малко помещение.
В случай на увреждане на охладителната система (миризма на амониак):
 - Дръжте открит огън и потенциални източници на запалване далеч от хладилника.
 - Проветрете добре стаята.
 - Изключете хладилника.

Опасност за здравето

- Не работете с уреда, ако е видимо увреден.
- Ако АС хранващият кабел на този уред е повреден, той трябва да бъде сменен от производителя, специализиран сервиз или друго квалифицирано лице, за да се предотвратят опасности.

Риск от заклещване на дете

- Уверете се, че рафтовете са монтирани и обезопасени, така че в хладилника да не могат да се заключат деца.
- Преди да изхвърлите Вашия стар хладилник:
 - Демонтирайте чекмеджетата.
 - Оставете рафтовете в хладилника, така че в него да не могат да влязат деца.



ВНИМАНИЕ! Неспазването на тези предупреждения може да доведе до леки или средни наранявания.

Опасност от електрически удар

- Преди да включите уреда се уверете, че хранващият кабел и щекерът са сухи.

Опасност от притискане

- Не поставяйте пръстите си в пантата.

Опасност за здравето

- За да се избегнат опасности, свързани с нестабилност на хладилника, той трябва да бъде закрепен според инструкциите за инсталиране.
- При никакви обстоятелства не отваряйте и не увреждайте охлаждащата система.

**ВНИМАНИЕ! Опасност от повреда**

- Хващайте уреда само за корпуса по време на транспортиране. Никога не хващайте адсорбера, охлаждащите ребра, газовите тръби, вратата или таблото за управление на уреда.
- Не монтирайте уреда близо до открит огън или други източници на топлина (нагреватели, пряка слънчева светлина, газови печки и др.).
- **Опасност от прегряване!**
Винаги трябва да е осигурена достатъчна вентилация, така че топлината, генерирана по време на работа, да може да се разсее. Уверете се, че уредът е достатъчно отдалечен от стени или други обекти, така че въздухът да може да циркулира.
- Проверете дали напрежението, показано на табелката с данните е същото като това на захранването.
- Използвайте само доставения АС захранващ кабел за свързване на уреда с АС електрическа мрежа.
- Използвайте само кабели с подходящ размер.
- Никога не изваждайте щепсела от контакта чрез свързващия кабел.
- Уредът не трябва да бъде излаган на дъжд.

3 Принадлежности

Описание

Гъвкави тръбопроводи за газ

Уплътнение за защита от изтичане на газове от инсталацията за отвори с размер 1 – 5 mm (фиг. **9 В**, стр. 7)

Уплътнение за защита от изтичане на газове от инсталацията с размер 5 – 10 mm (фиг. **9 С**, стр. 7)

Зимен капак WA 130 за вентилационната решетка LS 200

Описание

Адаптерен кабел

- WAGO към CEE
- WAGO към Обединено кралство
- WAGO към JST
- WAGO към MATE-N-LOK

Опционален комплект за вентилатор REF-FANKIT

Опционален акумулаторен пакет R10-BP за самостоятелна работа с газ

Опционален комплект за съхранение

4 Използване по предназначение

Хладилникът е подходящ за:

- Монтаж в каравани и кемпери
- Охлаждане, дълбоко замразяване и съхранение на храна

Хладилникът не е подходящ за:

- Съхранение на лекарства
- Съхранение на корозивни вещества или вещества, които съдържат разтворители
- Бързо замразяване на храна

Хладилникът е предназначен за монтаж в шкаф или ниша.

Този хладилник не е предназначен за употреба в домашни условия.

Отделението за замразяване е подходящо за съхранение на предварително замразена храна, съхранение или приготвяне на сладолед и замразяване на кубчета лед. Не е подходящ за замразяване на храна, която не е замразена предварително.

Този продукт е подходящ само за препоръчаното използване в съответствие с настоящите инструкции.

Това ръководство съдържа информация, необходима за правилното инсталиране и/или работа на продукта. Лошо инсталиране и/или неправилна употреба и поддръжка ще доведат до незадоволителна работа и евентуално до повреди.

Производителят не носи отговорност за наранявания и повреди по продукта, причинени от:

- Неправилен монтаж и свързване, включително прекалено високо напрежение
- Неправилна поддръжка или използване на резервни части, различни от оригиналните, предоставяни от производителя
- Изменения на продукта без изрично разрешение от производителя
- Използване за цели, различни от описаните в това ръководство

Dometic си запазва правото да променя външния вид и спецификациите на продукта.

Този продукт е подходящ само за предвидената цел и приложение съгласно настоящите инструкции.

Това ръководство предоставя информация, необходима за правилната инсталация и/или експлоатация на продукта. Лошо инсталиране и/или неправилна употреба и поддръжка ще доведат до незадоволителна работа и евентуално до повреди.

Производителят не носи отговорност за наранявания и повреди по продукта, причинени от:

- Неправилен монтаж и свързване, включително прекалено високо напрежение
- Неправилна поддръжка или използване на резервни части, различни от оригиналните, предоставяни от производителя
- Изменения на продукта без изрично разрешение от производителя
- Използване за цели, различни от описаните в това ръководство

Dometic си запазва правото да променя външния вид и спецификациите на продукта.

Монтиране на хладилника



ВНИМАНИЕ! Опасност за здравето

За да се избегнат опасности, свързани с нестабилност на уреда, той трябва да бъде закрепен според инструкциите.



Можете да намерите ръководството с инструкции за смяна на ограничителя на вратата и декоративната табела онлайн на <https://dometic.com/manuals>

4.1 Подготовка на инсталацията



ВНИМАНИЕ!

- Хладилникът не може да бъде монтиран в задната част на кемпер с вратата по посока на движение.
- Използвайте единствено оригинални вентилационни решетки Dometic за осигуряване на безопасна работа.

Когато монтирате хладилника, обърнете внимание на следното:

- Уверете се, че подът е твърд и равен.
За целта паркирайте превозното средство хоризонтално.
- Уверете се, че хладилникът е нивелиран.
- Хладилникът трябва да бъде монтиран така, че да
 - е леснодостъпен за сервизна работа,
 - лесен за демонтаж и монтаж
 - и да може лесно да се свали от автомобила
- Хладилникът трябва да бъде монтиран в ниша, така че да е защитен, когато автомобилът се движи. Обърнете внимание на следните размери (фиг. **1**, стр. 3 и фиг. **2**, стр. 4):

	RM 10.5(S)(T)	RMS 10.5(S)(T)	RMS 10.5X(S)(T)
Хладилник	Общ размер в mm		
Височина (A)	821	821	821
Ширина (B)	523	523	523
Дълбочина (C) (без регулатора 5 mm)	548	548	603
Ниша	Размер в mm		
Височина (H)	≥ 829	≥ 829	≥ 829
Ширина (W)	≥ 525,5	≥ 525,5	≥ 525,5
Дълбочина (D)	≥ 563	≥ 563	≥ 618

- Хладилникът трябва да бъде монтиран на минимално разстояние от 5 mm от пода, за да се гарантира, че вратата може да се отваря правилно (фиг. **3**, стр. 4).
 - Избягвайте поставянето на хладилника директно на пода.
 - Уверете се, че няма килими, които да възпрепятстват свободното движение на вратата.
- Външната стена трябва да има вентилационен входен отвор за въздух (фиг. **4** 1, стр. 4) и изходен отвор (фиг. **4** 2, стр. 4) с вентилационни решетки, така че генерираната топлина да може лесно да се изведе навън:
 - Входен отвор за въздух: Монтирайте вентилационната решетка възможно най-близо до основата на монтажната ниша.
 - Изходен отвор: трябва да бъде разположен възможно най-високо над хладилника.
 - Разстоянието между входния и изходния отвор за въздух трябва да бъде най-малко 750 mm за RM 10.5 и 534 mm за RMS 10.5 (фиг. **5**, стр. 5).
- Поставете топлопроводна плоча (фиг. **5** 1, стр. 5) над хладилника, така че топлината да не се натрупва в автомобила.
- Разстоянието между хладилника и задната стена трябва да е най-малко 15 mm, но не повече от 25 mm.
- Разстояние от повече от 25 mm между хладилника и задната стена води до лоша производителност и увеличава консумираната мощност на хладилника. Намалете пространството зад хладилника, за да осигурите подходяща вентилация на входа и изхода за въздух (фиг. **6**, стр. 5). За целта може да използвате например вентилационна плоча.
- Ако не може да бъде спазено минималното разстояние между входния и изходния отвор за въздух, вместо вентилационен изход за въздух трябва да се монтира вентилационен отвор на покрива.
 - Вентилационният отвор на покрива трябва да се монтира непосредствено над задната част на хладилника, доколкото това е възможно. Използвайте въздухопровод (фиг. **7** 1, стр. 6), ако трябва да монтирате вентилационния отвор на покрива в изнесена позиция; в противен случай там ще се натрупа топлина.
 - Разстоянието между входния отвор за въздух и вентилационния отвор на покрива трябва да бъде най-малко 750 mm за RM 10.5 и 534 mm за RMS 10.5 (фиг. **7**, стр. 6).
 - Ако е осигурен климатик на покрива, разстоянието между вентилационния отвор на покрива (фиг. **8** 1, стр. 7) и изходния отвор за въздуха на климатика на покрива (фиг. **8** 2, стр. 7) трябва да е най-малко 300 mm.
- Хладилникът не трябва да се монтира отстрани на входния и изходния отвор за въздух, тъй като това намалява производителността и увеличава консумираната мощност на хладилника.

- Входните и изходните вентилационни отвори за въздух не трябва да се покриват от части на автомобила (като отворена врата или при монтиране на аксесоари като стойки за велосипеди) по време на работа.
- Монтирайте хладилника така, че да е защитен от прекомерна топлина, тъй като това намалява производителността и увеличава консумираната мощност на хладилника.
- Хладилникът трябва да бъде монтиран на място, защитено от течения.

4.2 Монтиране на хладилника на място, защитено от течения



ПРЕДУПРЕЖДЕНИЕ! Опасност от пожар!

Не използвайте запалими материали, като силиконови уплътнители, пяна или други подобни, за монтаж на място, защитено от течения

Хладилниците, захранвани с газ, в каравани или кемпери трябва да бъдат монтирани на място, защитено от течения. Това означава, че въздухът за процеса на горене не трябва да се извлича от интериора, а отработените газове не трябва да навлизат директно в жилищното пространство.

Между задния панел на хладилника и вътрешността на автомобила трябва да се монтира подходящо уплътнение.

Производителят препоръчва използването на гъвкаво уплътнение за улесняване на демонтажа и монтажа за целите на поддръжката.

Изберете една от трите версии за монтаж на място, защитено от течения (фиг. **9**, стр. 8):

Ограничителна лента зад хладилника (А)

1. Залепете гъвкавия уплътнителен профил (**1**) на ограничителната лента (**2**) зад хладилника (**3**).
 2. Избутайте хладилника към ограничителната лента с гъвкавите уплътнителни профили.
- ✓ Пространството зад хладилника се уплътнява към интериора на автомобила.

Странично разстояние между хладилника и мебелите до 5 mm (B)

1. Залепете уплътнителните профили (вижте гл. „Принадлежности“ на стр. 371) отстрани на мебелите (**4**).
2. Избутайте хладилника към гъвкавите уплътнителни профили на мебелите.

- ✓ Пространството зад хладилника се уплътнява към интериора на автомобила.

Странично разстояние между хладилника и мебелите от 5 mm до 10 mm (C)

1. Залепете уплътнението с двоен профил (вижте гл. „Принадлежности“ на стр. 371) отстрани на мебелите (4).
 2. Избутайте хладилника към двойните уплътнителни профили на мебелите.
- ✓ Пространството зад хладилника се уплътнява към интериора на автомобила.

4.3 Създаване на входни и изходни вентилационни отвори за въздух



УКАЗАНИЕ

- Отклоненията от вариантите за входа и изхода, показани тук, трябва да бъдат одобрени от производителя.
- При високи температури на околната среда хладилникът може да постигне своя максимален охлаждащ капацитет само ако е осигурена оптимална вентилация.

- Направете входен вентилационен отвор на въздух и изходен вентилационен отвор за въздух във външната стена с размер 451 mm x 156 mm.

При създаването вземете предвид информацията, вижте гл. „Подготовка на инсталацията“ на стр. 374.

Ако вентилационната решетка на входния отвор за въздух не може да бъде монтирана наравно с пода на нишата, монтирайте входен отвор в пода. По този начин при каквото и да било изтичане на газ, той се извежда надолу.

1. Направете входен отвор за въздух с минимален \varnothing 40 mm в пода (фиг. 10 1, стр. 9) зад хладилника близо до газовата горелка.
2. Предпазете външната страна на отвора с дефлектор, за да предотвратите навлизането на кал или замърсявания по време на шофиране (фиг. 10 2, стр. 9).

Ако трябва да използвате вентилационен отвор на покрива вместо изходен вентилационния отвор за въздух:

- Изрежете част от покрива. Вижте ръководството с инструкции за вентилационния отвор на покрива за необходимите размери.
При изработването вземете предвид информацията в гл. „Подготовка на инсталацията“ на стр. 374.

4.4 Монтиране на вентилационната решетка



УКАЗАНИЕ

Използвайте единствено оригинални вентилационни решетки Dometic за осигуряване на безопасна работа.

№ от фиг. 11, стр. 9	Описание
1	Монтажна рамка
2	Вентилационна решетка
3	Плъзгач
4	Зимен капак за вентилационната решетка (аксесоари)
5	Адаптер за маркуча за източване на кондензата

1. Уплътнете монтажната рамка, за да направите връзката водоустойчива (фиг. 12, стр. 9).
2. Поставете монтажната рамка и я затегнете плтно (фиг. 13, стр. 9). Използвайте всички отвори за закрепване.
3. Монтирайте адаптера за маркуч, както е показано (фиг. 14 1, стр. 10).
4. Поставете вентилационната решетка, както е показано (фиг. 15, стр. 10).

4.5 Монтиране на дренаж за конденз



УКАЗАНИЕ

- В хладилника може да се образува конденз поради честото отваряне на вратата, неправилно съхранявана храна или храна, която се съхранява, когато е твърде топла.
- Кондензацията трябва да се източва с постоянен наклон.

Монтирайте дренажа за конденз както следва:

- ▶ Прикрепете маркуча за конденз директно към адаптера на вентилационната решетка (фиг. 14 2, стр. 10).

4.6 Монтирайте вентилационния отвор на покрива

№ от фиг. 16 , стр. 10	Описание
1	Капак
2	Монтажна рамка

1. Уплътнете монтажната рамка, за да направите връзката водоустойчива (фиг. **17**, стр. 10).
2. Поставете монтажната рамка и я затегнете плътно (фиг. **18**, стр. 11). Използвайте всички отвори за закрепване.
3. Поставете капака и го затегнете плътно (фиг. **19**, стр. 11).

4.7 Обезопасяване на хладилника



ВНИМАНИЕ!

Затягайте единствено в предвидените за целта точки, в противен случай компонентите, захванати чрез пяна, като кабелите, могат да се повредят.



УКАЗАНИЕ

Прикрепете страничните стени или прикрепените ленти така, че винтовете да са стегнати, дори при увеличени натоварвания (по време на шофиране).

1. Преместете хладилника на крайното му място.
2. Затегнете винтовете (фиг. **20** 1, стр. 11) през пластмасовото покритие отстрани на хладилника навътре в стената.
3. Поставете капачките (фиг. **20** 2, стр. 11) върху главите на винтовете.

5 Свързване на хладилника

5.1 Свързване към захранването с газ



ПРЕДУПРЕЖДЕНИЕ! Неспазването на тези предупреждения може да доведе до смърт или сериозни наранявания. Опасност за здравето

- Този хладилник може да бъде свързан към захранването с газ само от специалист в съответствие с приложимите национални насоки и стандарти.
- **Не** се допуска свързването чрез маркуч.
- Използвайте винтово съединение, уплътнено с метал.
- Газовият филтър (бял) във връзката за хладилния газ не трябва да се отстранява.
- Използвайте само бутилки с газ пропан или бутан (не природен газ или метан) с одобрен редуцир вентил и подходяща глава. Сравнете информацията за налягането на типовата табелка с информацията за налягането на регулатора на налягането на газовата бутилка за пропан или бутан.
- Използвайте хладилника **само** при налягането, посочено на типовата табелка.
- Използвайте хладилника **само** с типа газ, посочен на типовата табелка.
- Моля, обърнете внимание на наляганята, които са разрешени във вашата държава. Използвайте само регулатори на налягането с фиксирана настройка, която отговаря на националните разпоредби.



УКАЗАНИЕ

Като опция можете да използвате тръбата за гъвкаво свързване на газ Dometic, за да не е подложен монтажният обтегач на натиск.

Трябва да има възможност хладилникът да се изключи от захранването с газ отделно чрез спирателно устройство. Спирателното устройство трябва да бъде лесно достъпно.

1. Свържете хладилника сигурно на ръка към захранването с газ (фиг. **21**, стр. 11).



ПРЕДУПРЕЖДЕНИЕ! Опасност от експлозия

Много е важно да спазите следните въртящи моменти на затягане:

Продукт фиг. 21, стр. 11	Описание
1	Винт М4 (Торх ТХ20), Въртящ момент на затягане: 2 Nm
2	Свързване на хладилния газ: M14 x 1,5 (d = 8 mm/ISO 8434 (DIN 2353))
3	Газова тръба с пръстеновидно съединение (размер 17), Въртящ момент на затягане: 25 Nm

- Трябва да бъде проведен тест за утечки и изпитване с пламък от упълномощен специалист след професионален монтаж.
Уверете се, че сте получили сертификат за проверката и предайте този сертификат на крайния потребител за съхранение.

5.2 Свързване към DC и AC



ПРЕДУПРЕЖДЕНИЕ! Неспазването на тези предупреждения може да доведе до смърт или сериозни наранявания. Опасност от електрически удар

Електрическата инсталация и ремонтите могат да се извършват само от специалист в съответствие с приложимите национални разпоредби и стандарти.



УКАЗАНИЕ

- Щепселът на уреда не трябва да се поставя непосредствено зад вентилационната решетка, за да се предотврати нарушаване на циркулацията на въздуха и да се предпази щепселът на уреда от пръски вода.
- Щепселът на свързващия АС кабел на уреда не трябва да се изключва.
- Свързващите кабели трябва да бъдат поставени така, че да не влизат в контакт с горещи части на уреда/горелката или с остри ръбове.
- Промените във вътрешната електрическа инсталация или свързването на други електрически компоненти (напр. допълнителни вентилатори на други производители) към вътрешното окабеляване на хладилника ще анулират всякакви гаранционни претенции и отговорността за продукта.
- Хладилниците RM 10.5 и RMS 10.5 имат СІ шинен интерфейс и могат да бъдат контролирани чрез съвместим централен дисплей в автомобила.

Схема на веригата на хладилника (фиг. 22, стр. 12)

Продукт фиг. 22, стр. 12	Описание
1	Вентилатор 1 (ако е наличен модул с опции)
2	Модул с опции (опция)
3	Фурна с DC захранване (ако е наличен модул с опции)
4	Модул за DC захранване
5	NTC 2: Външна температура (опция)
6	NTC 1: Сензор за температура на свежа храна
7	Газов клапан
8	Осветление
9	Магнитен превключвател (Reed)
10	S+ (опция)
11	DC нагревателен елемент
12	15 А предпазител

Продукт фиг. 22, стр. 12	Описание
13	DC реле за нагревателната касета
14	Вход за газ
15	DC свързващ блок
16	DC захранване кабелна електроника
17	Нагревателен елемент на DC захранващия кабел
18	Свързване на CI шина
19	AC захранване
20	AC нагревателен елемент
21	Земя
22	Защитно AC заземяване
23	Запалителен електрод
24	Захранващ модул
25	Модул на дисплея

DC захранване



ПРЕДУПРЕЖДЕНИЕ! Опасност от пожар

- Захранващият кабел към нагревателния елемент трябва да бъде защитена с 15 А предпазител.
- Захранващият кабел към електрониката трябва да бъде защитена с 2 А предпазител.



ВНИМАНИЕ!

Съответните положителни и отрицателни захранващи кабели на DC връзките за електрониката (фиг. 22 16, стр. 12) и нагревателния елемент (фиг. 22 17, стр. 12) **не** могат да се свързват помежду си и да използват един проводник. Това може да причини електрически смущения или повреда на електрическите компоненти.

Моля, използвайте кабели със следните размери (фиг. **23**, стр. 14):

- Връзки за нагревателен елемент:
 - < 6 m (във вътрешната част): $\geq 6 \text{ mm}^2$
 - > 6 m (във вътрешната част): $\geq 10 \text{ mm}^2$
 - Кабелна връзка чрез теглич (само за каравани): $\geq 2,5 \text{ mm}^2$
 - Връзки за електроника: $\geq 0,75 \text{ mm}^2$
 - Връзки D+ и S+: $\geq 0,75 \text{ mm}^2$
1. Сглобете DC контакта, както следва (фиг. **22**, стр. 12):
 - Свържете **A** и **C** към положителния полюс на акумулатора.
 - Свържете **D** и **F**, за да свържете D и F към земята.
 - Свържете **B** към D+ сигнала.
Електрониката на хладилника използва D+ сигнала на алтернатора за откриване на работещия двигател. В автоматичен режим хладилникът избира най-благоприятния наличен режим. Хладилникът използва само постоянен ток, когато двигателят на автомобила работи.
 - Свържете **E** към CI-BUS.
 2. Свържете **10** с S+ сигнала (опция).
 3. Защитете захранващия кабел **A** с 2 A предпазител в разпределителната кутия на захранването на автомобила.
 4. Защитете захранващия кабел **C** 15 A предпазител в разпределителната кутия на захранването на автомобила.
 5. Свържете захранващия кабел **C** с реле, контролирано от запалването. Това предотвратява пълното разреждане на акумулатора, ако двигателят бъде изключен случайно.

АС захранване

- Свържете хладилника с АС контакт с помощта на щепсела на уреда.

6 Изхвърляне

Продукти за рециклиране с незаменяеми батерии, презареждаеми батерии или източници на светлина



▶ Ако продуктът съдържа незаменяеми батерии, презареждаеми батерии или източници на светлина, не е необходимо да ги отстранявате, преди да изхвърлите продукта.



▶ Ако искате окончателно да изхвърлите продукта, попитайте местния център за рециклиране или специализиран дилър за подробности как това да се извърши в съответствие с валидните предписания.

▶ Продуктът може да бъде изхвърлен безплатно.




Рециклиране на опаковъчните материали



▶ По възможност предайте опаковката за рециклиране.

7 Технически данни

	RM10.5(S)(T)	RMS10.5(S)(T)	RMS10.5X(S)(T)
Напрежение на свързване:	230 V~ /50 Hz 12 Vg		
Капацитет			
Общ капацитет:	88 l	78 l	92 l
Хладилно отделение:	78,7 l	69,1 l	80,3 l
Отделение за дълбоко замразяване:	9,2 l	9,2 l	12,1 l
Полезна вместимост:	86 l	76 l	90 l
С изключение на отделението за дълбоко замразяване	93 l	83 l	98 l
Общ капацитет: полезна вместимост:	91 l	81 l	96 l
Входна мощност:	135 W (230 V~) 130 W (12 Vg)		
Консумация на енергия:	2,8 kWh/24 ч (230 V~)	2,5 kWh/24 ч (230 V~)	3,2 kWh/24 ч (230 V~)
Консумация на газ:	270 g/24 ч		
Налягане на газовата връзка:	30 mbar		

	RM10.5(S)(T)	RMS10.5(S)(T)	RMS10.5X(S)(T)
климатичен клас:	SN		
Размери (В x Ш x Д):	821 x 523 x 548 mm		821 x 523 x 603 mm
Тегло:	28 kg	27,4 kg	29 kg
Инспекция/сертифициране:	  		

За настоящата Декларация за съответствие на ЕС за Вашия уред, моля потърсете съответната страница за продукта на dometic.com или влезте във връзка директно с производителя (виж dometic.com/dealer).

Повече информация за продукта може да се получи чрез QR кода върху енергийния етикет на уреда или през eprel.ec.europa.eu.

Lugege see juhend tähelepanelikult läbi ja järgige kõiki selles esitatud juhiseid, suuniseid ja hoiatusi, et tagada alati toote õigesti paigaldamine, kasutamine ning hooldamine. Juhend PEAB jääma selle toote juurde.

Toote kasutamisega kinnitate, et olete kõik juhised, suunised ja hoiatused tähelepanelikult läbi lugenud ning mõistate ja nõustute järgima nendes sätestatud tingimusi. Nõustute kasutama seda toodet üksnes ettenähtud eesmärgil ja otstarbel ning kooskõlas tootejuhendis sätestatud juhiste, suuniste ja hoiatustega, samuti kooskõlas kõigi kohaldatavate õigusaktide ja eeskirjadega. Siin sätestatud juhiste ja hoiatuste lugemise ja järgimise eiramine võib põhjustada vigastusi teile ja kolmandatele isikutele, kahjustada teie toodet või läheduses asuvat muud vara. Toote tootejuhendit, sh juhiseid, suuniseid ja hoiatusi ning nendega seotud dokumentatsiooni, võidakse muuta ja uuendada. Värseima tooteabe leiate veebisaidilt documents.dometic.com.



Üksikasjaliku kasutusjuhendi ja tehnilised andmed leiate veebiaadressilt

https://documents.dometic.com/?object_id=69924

Sisukord

1	Sümbolite selgitus	387
2	Ohutusjuhised	388
3	Lisatarvikud	390
4	Kasutusotstarve	390
5	Külmiku ühendamine	398
6	Körvaldamine	402
7	Tehnilised andmed	402

1 Sümbolite selgitus



HOIATUS!

Ohutusjuhiseid: viitab ohtlikule olukorrale, mis eiramise korral võib lõppeda surma või raske vigastusega.



ETTEVAATUST!

Ohutusjuhiseid: viitab ohtlikule olukorrale, mis eiramise korral võib lõppeda kerge või keskmise vigastusega.



TÄHELEPANU!

Viitab ohtlikule olukorrale, mis eiramise korral võib lõppeda varalise kahjuga.

**MÄRKUS**

Lisateave toote käitamiseks.

2 Ohutusjuhised



HOIATUS! Nende hoiatuste mittejärgimine võib põhjustada raskeid vigastusi või surma.

Elektrilöögi oht

- Külmiiku paigaldamise ja eemaldamisega tohivad tegeleda ainult kvalifitseeritud töötajad.
- Seda külmiikut võivad remontida ainult spetsialistid. Valesti tehtud parandused võivad tõsist ohtu põhjustada või külmiikut kahjustada.
- Kui selle külmiiku ühenduskaabel saab kahjustada, tuleb see ohu vältimiseks lasta tootjal, selle klienditeenindusel või sarnaselt kvalifitseeritud isikul välja vahetada.
- Valige külmiiku asukoht nii, et toitejuhe ei jääks esemete vahele kinni ja ei saaks kahjustada.
- Ärge jätke külmiiku taha mitut teisaldatavat pistikupesa või teisaldatavat toiteallikat.
- Ühendage seade pessa, mis tagavad nõuetekohase ühenduse eelkõige juhul, kui seade vajab maandust.

Plahvatusoht

- Kunagi ärge absorptsioonmoodulit avage. See on kõrge rõhu all ja võib avamise korral vigastusi tekitada.
- Ärge hoiustage külmiikus plahvatusohtlike esemeid, nagu kütust sisaldavad aerosoolpihustid.
- Kasutage seadet **ainult** andmeplaadil näidatud rõhuga. Kasutage rõhu juhtseadiseid ainult fikseeritud seadega, mis vastab riiklikele nõuetele (Euroopas EN 12864).

Tuleoht

- Kui kasutate silikoontihendit vms, tagage puhas ja jääkideta töötlemine. Silikoonikiudude kokkupuutumisel kuumade osade või lahtiste leegiga, tekib tuleoht.
- Kunagi ärge kasutage seadmel lekete kontrollimiseks lahtist leeki.
- Kasutage ainult propaani või butaani (**mitte** maagaasi).

- Külmaainekontuuris olev külmaaine on äärmiselt tuleohtlik ja lekke korral võivad tuleohtlikud gaasid koguneda, kui seade asub väikeses ruumis.
Külmaainekontuuri mis tahes kahjustuse korral (ammoniaagilõhn) toimige järgmiselt.
 - Hoidke lahtine leek ja potentsiaalsed süüteallikad külmikust eemal.
 - Ventileerige ruumi põhjalikult.
 - Lülitage külmik välja.

Terviseoht

- Kui seadmel on nähtavaid kahjustusi, ei tohi seda kasutada.
- Kui selle seadme vahelduvvoolukaabel saab kahjustada, tuleb see ohu vältimiseks lasta tootjal, selle klienditeenindusel või sarnaselt kvalifitseeritud isikul välja vahetada.

Laste kinnijäämise oht

- Veenduge, et riulid oleksid paigaldatud ja kinnitatud nii, et lapsed ei saaks end külmikusse lukustada.
- Enne vana külmiku jäätmekäitluse andmist:
 - demonteerige sahtlid;
 - jätke riulid külmikusse nii, et lapsed ei saaks sisse ronida.



ETTEVAATUST! Nende ettevaatusabinõude mittejärgimine võib põhjustada kergeid või mõõdukaid vigastusi.

Elektrilöögi oht

- Enne seadme käivitamist veenduge, et toitejuhe ja pistik on kuivad.

Muljumisoht

- Ärge pange sõrmi hinge sisse.

Terviseoht

- Külmiku ebastabiilsusest tingitud ohu vältimiseks tuleb see paigaldusjuhendi kohaselt fikseerida.
- Mingil juhul ärge avage ega kahjustage külmaainekontuuri.



TÄHELEPANU! Kahjustuste oht

- Transportimise ajal hoidke seadet üksnes põhikorpusest. Kunagi ärge hoidke seadet absorptsioonmoodulist, jahutusribidest, gaasitorudest, uksest ega juhtpaneelist.
- Ärge paigaldage seadet lahtise leegi või muu soojusallika (radiaator, otsene päikesekiirgus, gaasiahi jne) lähedusse.

- **Ülekuumenemise oht!**
Tagage alati piisav ventilatsioon, et töö ajal tekkiv soojus saaks hajuda. Veenduge, et seade on seintest ja teistest objektidest piisavalt kaugel, et õhk saaks ringelda.
- Kontrollige, kas andmeplaadile märgitud pingenäitajad kattuvad toiteallika andmetega.
- Seadme ühendamiseks vahelduvooluga avalikku elektrivõrku kasutage ainult kaasasolevat vahelduvoolukaablit.
- Kasutage ainult sobiva suurusega kaableid.
- Ärge tõmmake pistikut välja seda ühenduskaablist sikutades.
- Seadet ei tohi jätta vihma kätte.

3 Lisatarvikud

Tähistus

Painduv gaasitoru

Tihend tuulekindlaks paigaldamiseks, 1 – 5 mm vahede jaoks (joonis **9 B**, lehekülg 7)

Tihend tuulekindlaks paigaldamiseks, 5 – 10 mm vahede jaoks (joonis **9 C**, lehekülg 7)

Talvekate WA 130 ventilatsioonivõre LS 200 jaoks

Adapterkaabel

- WAGO – CEE
- WAGO – UK
- WAGO – JST
- WAGO – MATE-N-LOK

Valikuline ventilaatorikomplekt REF-FANKIT

Valikuline akupakk Pack R10-BP eraldiseisvaks gaasiga töötamiseks

Valikuline hoiukomplekt

4 Kasutusotstarve

Külmik sobib:

- haagissuvilatesse ja matkabussidesse paigaldamiseks;
- toidu jahutamiseks, sügavkülmutamiseks ja säilitamiseks.

Külmik ei sobi:

- ravimite säilitamiseks;
- korrosiivsete või lahusteid sisaldavate ainete säilitamiseks;
- toidu kiirkülmutamiseks.

Külmik on ette nähtud paigaldamiseks kappi või paigaldusnišši.

Külmik ei ole ette nähtud majapidamises kasutamiseks.

Külmutuskamber sobib eelkülmutatud toidu säilitamiseks, jäätise säilitamiseks või valmistamiseks ning jääkuubikute valmistamiseks. See ei sobi eelkülmutamata toidu külmutamiseks.

See toode sobib kasutamiseks üksnes ettenähtud otstarbel ja käesolevas kasutusjuhendis toodud valdkonnas.

Käesolev juhend sisaldab teavet, mis on vajalik toote korrektseks paigaldamiseks ja/või kasutamiseks. Halva paigalduse ja/või valesti kasutamise või hooldamise korral halvenevad tööomadused ja võib tekkida rike.

Tootja ei võta vastutust mis tahes kahju või tootekahjustuse eest, mis on tingitud mõnest järgmisest asjaolust:

- valesti kokkupanek või ühendamine, sh liigpinge;
- valesti hooldamine või tootja poolt ette nähtud originaalvaruosadest erinevate varuosade kasutamine;
- tootel ilma tootja selge loata tehtud muudatused;
- kasutamine otstarbel, mida ei ole kasutusjuhendis kirjeldatud.

Dometic jätab endale õiguse muuta toote välimust ja tehnilisi näitajaid.

See toode sobib kasutamiseks üksnes ettenähtud otstarbel ja käesolevas kasutusjuhendis toodud valdkonnas.

Käesolev juhend sisaldab teavet, mis on vajalik toote korrektseks paigaldamiseks ja/või kasutamiseks. Halva paigalduse ja/või valesti kasutamise või hooldamise korral halvenevad tööomadused ja võib tekkida rike.

Tootja ei võta vastutust mis tahes kahju või tootekahjustuse eest, mis on tingitud mõnest järgmisest asjaolust:

- valesti kokkupanek või ühendamine, sh liigpinge;
- valesti hooldamine või tootja poolt ette nähtud originaalvaruosadest erinevate varuosade kasutamine;
- tootel ilma tootja selge loata tehtud muudatused;
- kasutamine otstarbel, mida ei ole kasutusjuhendis kirjeldatud.

Dometic jätab endale õiguse muuta toote välimust ja tehnilisi näitajaid.

Külmiku paigaldamine



ETTEVAATUST! Terviseoht

Seadme ebastabiilsusest tingitud ohu vältimiseks tuleb see juhendi kohaselt fikseerida.



Uksestopperi ja dekoratiivpaneeli vahetamise juhendi leiata veebiaadressilt

<https://dometic.com/manuals>

4.1 Paigalduse ettevalmistamine



TÄHELEPANU!

- Külmikut ei tohi paigaldada matkaauto tagaossa nii, et uks jääb sõidu-suunda.
- Ohutu kasutamise tagamiseks kasutage ainult tootja Dometic originaal-ventilatsioonivõresid.

Külmiku paigaldamisel pidage silmas järgmist.

- Veenduge, et pörand oleks tugev ja horisontaalne. Parkige selleks sõiduki horisontaalsele pinnale.
- Veenduge, et külmik asetseks horisontaalselt.
- Külmik tuleb paigaldada nii, et
 - sellele pääseks hooldustöödeks hõlpsalt juurde;
 - seda oleks lihtne lahti võtta ja paigaldada;
 - selle saaks sõidukist hõlpsalt eemaldada.
- Külmik tuleb paigaldada süvendisse, et see püsiks sõiduki liikumise ajal kindlalt. Arvestage järgmisi mõõtmeid (joonis **1**, lehekülg 3 ja joonis **2**, lehekülg 4).

	RM10.5(S)(T)	RMS10.5(S)(T)	RMS10.5X(S)(T)
Külmik			
	Üldmõõtmed (mm)		
Kõrgus (A)	821	821	821
Laius (B)	523	523	523

	RM10.5(S)(T)	RMS10.5(S)(T)	RMS10.5X(S)(T)
Külmik	Üldmõõtmed (mm)		
Sügavus (C) (välja arvatud juhtnupp 5 mm)	548	548	603
Süvend	Mõõtmed (mm)		
Kõrgus (H)	≥829	≥829	≥829
Laius (W)	≥525,5	≥525,5	≥525,5
Sügavus (D)	≥563	≥563	≥618

- Külmik tuleb paigaldada põrandast minimaalselt 5 mm kaugusele, et tagada ukse korrektne avanemine (joonis **3**, lehekülg 4).
 - Vältige külmiku asetamist otse põrandale.
 - Veenduge, et vaibad ei takistaks ukse vaba liikumist.
- Välisseinale tuleb paigaldada õhu sisselaskeava (joonis **4** 1, lehekülg 4) ja väljapuhkeava (joonis **4** 2, lehekülg 4) koos ventilatsioonivõredegaga, et tekkiv soojus hõlpsalt välja pääseks.
 - Õhu sisselaskeava: paigaldage ventilatsioonivõre paigaldusniši põhjaga võimalikult ühetasaselt.
 - Väljapuhkeava: paigaldage võimalikult kõrgele külmiku kohale.
 - Õhu sisselaskeava ja väljapuhkeava vahele peab jääma vähemalt 750 mm RM10.5 puhul ja 534 mm RMS10.5 puhul (joonis **5**, lehekülg 5).
- Paigaldage soojust juhtiv plaat (joonis **5** 1, lehekülg 5) külmiku kohale, et soojus sõidukisse ei koguneks.
- Külmiku ja tagaseina vahele peab jääma vähemalt 15 mm, kuid mitte rohkem kui 25 mm.
- Kui külmiku ja tagaseina vahele jääb rohkem kui 25 mm, ei tööta külmik tõhusalt ning selle voolutarve suureneb. Vähendage külmiku taha jäävat ruumi, et luua piisav õhu sisselase ja väljapuhe (joonis **6**, lehekülg 5). Kasutage selleks näiteks ventilatsioonipaneeli.

- Kui õhu sisselaskeava ja väljapuhkeava vahelisest minimaalsest vahemikust ei õnnestu kinni pidada, tuleb õhu väljapuhkeava asemel paigaldada laeventilaator.
 - Laeventilaator tuleb paigaldada otse külmiku tagakülje kohale sellest võimalikult kaugele. Kasutage õhukanalit (joonis **7** 1, lehekülg 6), kui peate katuseventilaatori nihkega paigaldama, vastasel juhul koguneb soojus.
 - Õhu sisselaskeava ja katuseventilaatori vahele peab jääma vähemalt 750 mm RM10.5 puhul ja 534 mm RMS10.5 puhul (joonis **7**, lehekülg 6).
 - Kui olemas on katusekliimaseade, peab katuseventilaatori (joonis **8** 1, lehekülg 7) ja katusekliimaseadme õhu väljapuhkeava (joonis **8** 2, lehekülg 7) vahele jääma vähemalt 300 mm.
- Külmikut ei tohi paigaldada õhu sisselaskeava ja väljapuhkeava poole, siis ei tööta külmik tõhusalt ning selle voolutarve suureneb.
- Õhu sisselaskeava ja väljapuhkeava ei tohi töötamise ajal sõiduki osadega (näiteks avatud uks või selliste tarvikute nagu jalgrattahoidiku paigaldamisega) kinni katta.
- Paigaldage külmik nii, et see oleks kaitstud liigse kuumuse eest, kuna siis ei tööta külmik tõhusalt ning selle voolutarve suureneb.
- Külmik tuleb paigaldada tuuletõmbuseta kohta.

4.2 Külmiku paigaldamine tuuletõmbuseta kohta



HOIATUS! Tuleoht!

Ärge kasutage tuuletõmbuseta paigaldamiseks tuleohtlikke materjale, nagu silikoontihendid, vaht vms.

Haagissuvilates või matkabussides gaasitoitel kasutatavad külmikud tuleb paigaldada tuuletõmbuseta kohta. See tähendab, et põlemisõhk ei satuks siseruumi ja heitgaasid ei pääseks otse eluruumi.

Külmiku tagapaneeli ja sõiduki siseruumi vahele tuleb paigaldada sobiv tihend.

Tootja soovitab kasutada hoolduse jaoks eemaldamise ja paigaldamise hõlbustamiseks painduvat tihendit.

Valige tuuletõmbuseta paigaldamiseks kolmest versioonist üks (joonis **9**, lehekülg 8).

Piirdelatt külmiku taga (A)

1. Liimige painduv tihendriba (**1**) piirdelatile (**2**) külmiku taha (**3**).
 2. Lükake külmik painduvate tihendribadega piirdelati vastu.
- ✓ Külmiku taga olev ruum tihendatakse sõiduki siseruumist.

Külgmine vahe kuni 5 mm külmiku ja mööbli vahel (B)

1. Liimige tihendribad (vt peatükk „Lisatarvikud“ leheküljel 390) mööbli küljele (4).
 2. Lükake külmik mööbli küljes olevate painduvate tihendribade vastu.
- ✓ Külmiku taga olev ruum tihendatakse sõiduki siseruumist.

Külgmine vahe 5 mm kuni 10 mm külmiku ja mööbli vahel (C)

1. Liimige kahepoolne tihend (vt peatükk „Lisatarvikud“ leheküljel 390) mööbli küljele (4).
 2. Lükake külmik mööbli küljes oleva kahepoolse tihendi vastu.
- ✓ Külmiku taga olev ruum tihendatakse sõiduki siseruumist.

4.3 Õhu sisselaske- ja väljapuhkeavade valmistamine



MÄRKUS

- Siin näidatud sisselaske- ja väljatõmbeavade variantidest erinevad lahendused peavad saama tootja heakskiidu.
- Kõrge ümbritseva temperatuuri korral suudab külmik pakkuda maksimaalset jahutusvõimsust ainult siis, kui tagatakse optimaalne ventilatsioon.

- Tehke välisseina 451 mm x 156 mm õhu sisselaskeava ja õhu väljatõmbeava. Pidage sealjuures silmas peatükk „Paigalduse ettevalmistamine“ leheküljel 392 esitatud teavet.

Kui õhu sisselaskeava ventilatsioonivõret ei saa paigaldada niši pörandaga ühetasaselt, paigaldage sisselaskeava pörandasse. Seega saab võimalik lekkiv gaas allapoole voolata.

1. Tehke külmiku taha gaasipõleti lähedale pörandasse õhu sisselaskeava läbimõõduga vähemalt 40 mm (joonis 10 1, lehekülg 9).
2. Kaitske ava väliskülg deflektoriga, et vältida sõidu ajal pori või mustuse sissetungimist (joonis 10 2, lehekülg 9).

Kui peate õhu väljapuhkeava asemel kasutama katuseventilaatorit, tehke järgmist.

- Lõigake katusest osa välja. Vaadake vajalikke mõõtmeid katuseventilaatori kasutusjuhendist. Pidage sealjuures silmas jaotises peatükk „Paigalduse ettevalmistamine“ leheküljel 392 esitatud teavet.

4.4 Ventilatsioonivõre paigaldamine



MÄRKUS

Ohutu kasutamise tagamiseks kasutage ainult tootja Dometic originaal-ventilatsioonivõresid.

Nr joonis 11 , lehekülg 9	Tähistus
1	Paigaldusraam
2	Ventilatsioonivõre
3	Liugur
4	Ventilatsioonivõre talvekate (tarvikud)
5	Kondensaadi äravooluvooliku adapter

1. Tihendage paigaldusraam, et muuta ühendus veekindlaks (joonis **12**, lehekülg 9).
2. Sisestage paigaldusraam ja kruvige see kindlalt kinni (joonis **13**, lehekülg 9). Kasutage selleks kõiki kinnitusauke.
3. Paigaldage vooliku adapter, nagu näidatud (joonis **14** 1, lehekülg 10).
4. Sisestage ventilatsioonivõre, nagu näidatud (joonis **15**, lehekülg 10).

4.5 Kondensaadi äravoolu paigaldamine



MÄRKUS

- Külmikus võib ukse sagedase avamise, valesti säilitatava toidu või liiga sooja toidu säilitamise tõttu kondensaat tekkida.
- Kondensaadil tuleb lasta pideva kaldega ära voolata.

Paigaldage kondensaadi äravool järgmiselt.

- ▶ Kinnitage kondensaadivoolik otse ventilatsioonivõrel olevale adapterile (joonis **14** 2, lehekülg 10).

4.6 Katuseventilaatori paigaldamine

Nr joonis 16 , lehekülg 10	Tähistus
1	Kate
2	Paigaldusraam

1. Tihendage paigaldusraam, et muuta ühendus veekindlaks (joonis **17**, lehekülg 10).
2. Sisestage paigaldusraam ja kruvige see kindlalt kinni (joonis **18**, lehekülg 11). Kasutage selleks kõiki kinnitusauke.
3. Sisestage kate ja kruvige see kindlalt kinni (joonis **19**, lehekülg 11).

4.7 Külmiku kinnitamine



ETTEVAATUST!

Kruvige ainult läbi kaasas olevate pesade, muidu võivad vahtplastiga kaetud komponendid, nagu kaablid, kahjustada saada.



MÄRKUS

Kinnitage külgliseinad või kinnitatud ribad nii, et kruvid oleksid ka suurema koormuse korral (sõidu ajal) kindlalt kinni.

1. Paigutage külmik selle lõplikku asukohta.
2. Kinnitage kruvid (joonis **20** 1, lehekülg 11) läbi külmiku külgedel oleva plastümbrise seina külge.
3. Pange korgid (joonis **20** 2, lehekülg 11) kruvipeadele.

5 Külmiku ühendamine

5.1 Gaasivarustuse ühendamine



HOIATUS! Nende hoiatuste mittejärgimine võib põhjustada raskeid vigastusi või surma. Terviseoht

- Selle külmiku võib gaasivarustusega ühendada üksnes spetsialist, kes teeb seda kohaldatavate riiklike suuniste ja standarditega kooskõlas.
- Vooliku ühendamine **ei** ole lubatud.
- Kasutage metallühendiga kruviühendust.
- Külmiku gaasiühenduses olevat gaasifiltrit (valge) ei tohi eemaldada.
- Kasutage ainult propaani- või butaaniballoone (mitte maagaasi ega kommunaalgaasi), millel on nõuetekohane rõhu reduktsiooniklapp ja sobiv liitmik. Võrrelge andmesildil olevat rõhuteavet propaani- või butaaniballooni rõhuregulaatoril oleva rõhuteabega.
- Kasutage külmikut **ainult** andmeplaadil näidatud rõhuga.
- Kasutage külmikut **ainult** andmeplaadil näidatud gaasi tüübiga.
- Järgige riigis lubatud rõhule vastavust. Kasutage rõhu juhtseadiseid ainult fikseeritud seadega, mis vastab riiklikele nõuetele.



MÄRKUS

Valikuna võite kasutada tootja Dometic painduvat gaasitoru, et paigaldus oleks pingevaba.

Külmikut peab olema võimalik gaasijuhtmest väljalülitusseadme abil eraldi lahutada. Väljalülitusseade peab olema hõlpsalt juurdepääsetav.

1. Ühendage külmik gaasivarustusega kindlalt käsitsi (joonis **21**, lehekülj 11).



HOIATUS! Plahvatusoht

Väga oluline on kinni pidada järgmistest pingutusmomentidest.

Ese jaotises joonis **21**,
lehekülj 11

Tähistus

1

Kruvi M4 (Torx TX20),
Pingutusmoment: 2 Nm

Ese jaotises joonis 21 , lehekülg 11	Tähistus
2	Külmiku gaasiühendus: M14 x 1,5 (d = 8 mm / ISO 8434 (DIN 2353))
3	Gaasitoru koos rõngasmuhviga (suurus 17). Pingutusmoment: 25 Nm

2. Pärast professionaalset paigaldamist laske volitatud spetsialistil teha lekketest ja leegitest.

Veenduge, et teile antaks ülevaatusse sertifikaat ja andke see sertifikaat säilitamiseks lõppkasutajale.

5.2 Alalis- ja vahelduvvooluga ühendamine



HOIATUS! Nende hoiatuste mittejärgimine võib põhjustada raskeid vigastusi või surma. Elektrilöögi oht

Elektrisüsteemi paigaldamise ja remondiga tohib tegeleda üksnes spetsialist, kes teeb seda riiklike määruste ja standarditega kooskõlas.



MÄRKUS

- Seadme pistikut ei tohi panna otse ventilatsioonivõre taha, et vältida õhuringluse takistamist ning kaitsta seadme pistikut veepritsmete eest.
- Seadme vahelduvvoolukaabli pistikut ei tohi ära lõigata.
- Ühenduskaableid ei tohi paigutada nii, et need puutuksid kokku seadme/põleti kuumade osade või teravate servadega.
- Sisemise elektripaigaldise muutmise või muude elektrikomponentide ühendamine (nt muu tootja ventilaatorid) külmiku juhtmestikuga muudab kehtetuks mis tahes garantiinõuded ja tootevastutuse.
- Külmikutel RM10.5 ja RMS10.5 on CI-siini liides ja neid saab juhtida ühilduvalt sõiduki keskekraanilt.

Külmiku elektriskeem (joonis **22**, lehekülg 12)

Ese jaotises joonis 22 , lehekülg 12	Tähistus
1	Ventilaator 1 (kui valikmoodul on saadaval)
2	Valikmoodul (valikuline)

**Ese jaotises
joonis 22,
lehekülg 12**

3	Alalisvoolutoitega ahi (kui valikmoodul on saadaval)
4	Alalisvoolu-toitemoodul
5	NTC 2: välistemperatuur (valikuline)
6	NTC 1: värske toidu temperatuuriandur
7	Gaasiklapp
8	Valgustus
9	Herkoonlüüti
10	S+ (valikuline)
11	Kütteelement, alalisvool
12	15 A kaitse
13	Vahelduvvoolurelee padrunküttekeha jaoks
14	Gaasisisend
15	Alalisvooluühenduse plokk
16	Elektronika alalisvoolukaabel
17	Kütteelemendi alalisvoolukaabel
18	CI-siini ühendus
19	AC-i toide
20	Kütteelement, vahelduvvool
21	Maandus
22	Vahelduvvoolu kaitsemaandus
23	Süüte-elektrood
24	Toitemoodul
25	Ekraanimoodul

Alalisvoolutoide

HOIATUS! Tuleoht

- Kütteelemendi toitejuhtmele tuleb paigaldada 15 A kaitse.
- Elektronika toitejuhtmele tuleb paigaldada 2 A kaitse.



TÄHELEPANU!

Elektroonika (joonis **22** 16, lehekülg 12) ja kütteelemendi (joonis **22** 17, lehekülg 12) alalisvooluühenduse vastavaid pluss- ja miinustoitekaableid **ei** tohi omavahel ühendada ega sama juhtmega liita. See võib elektrihäireid põhjustada või elektrikomponente kahjustada.

Pidage kinni järgmistest kaablite suurustest (joonis **23**, lehekülg 14).

- Kütteelemendi ühendused:
 - < 6 m (siseruumis): $\geq 6 \text{ mm}^2$
 - > 6 m (siseruumis): $\geq 10 \text{ mm}^2$
 - haakeseadise kaudu ühendatud kaabel (ainult haagissuvilad): $\geq 2,5 \text{ mm}^2$
 - Elektroonikaühendused: $\geq 0,75 \text{ mm}^2$
 - Ühendused D+ ja S+: $\geq 0,75 \text{ mm}^2$
1. Pange alalisvoolupesade kokku järgmiselt (joonis **22**, lehekülg 12).
 - Ühendage **A** ja **C** aku plusspoolusega.
 - Ühendage **D** ja **F** maandusega.
 - Ühendage **B** signaaliga D+.
Külmiku elektroonika kasutab generaatori signaali D+ töötava mootori tuvasutamiseks. Automaatses režiimis valib külmik sobivaima saadaoleva režiimi. Külmik töötab alalisvooluga ainult siis kui sõiduki mootor töötab.
 - Ühendage **E** CI-siiniga.
 2. Ühendage **10** signaaliga S+ (valikuline).
 3. Paigaldage sõiduki jaotuskasti toitejuhtmele **A** 2 A kaitse.
 4. Paigaldage sõiduki jaotuskasti toitejuhtmele **C** 15 A kaitse.
 5. Käitage toitejuhet **C** süütega juhitava rele kaudu.
See aitab vältida aku täielikku tühjenemist, kui mootor juhuslikult välja lülitatakse.

Vahelduvvoolutoide

- Ühendage külmik seadme pistiku abil alalisvoolupesaga.

6 Kõrvaldamine

Integreeritud akude, tavaliste akude ja valgusallikatega toodete ringlussevõtt



- ▶ Kui toode sisaldab integreeritud akusid, tavalisi akusid või valgusallikaid, siis neid ei pea enne jäätmekäitluse andmist eemaldama.
- ▶ Kui soovite toote utiliseerida, küsige oma kohalikust jäätmekäitlusettevõttest või -spetsialistilt üksikasjaliku, kuidas seda kehtivate jäätmekäitluseeskirjade järgi teha.
- ▶ Toote saab jäätmekäitluse anda tasuta.






Pakkematerjali ringlussevõtt



- ▶ Kui võimalik, pange pakkematerjal vastavasse ringlussevõetava prügi kasti.

7 Tehnilised andmed

	RM10.5(S)(T)	RMS10.5(S)(T)	RMS10.5X(S)(T)
Ühenduspinge:	230 V~ / 50 Hz 12 Vg		
Täite kogus			
Kogumaht:	88 l	78 l	92 l
Jahekamber:	78,7 l	69,1 l	80,3 l
Sügavkülmkamber:	9,2 l	9,2 l	12,1 l
Kogu netomaht:	86 l	76 l	90 l
Välja arvatud sügavkülmkamber:			
Kogumaht:	93 l	83 l	98 l
Netomaht:	91 l	81 l	96 l
Sisendvõimsus:	135 W (230 V~) 130 W (12 Vg)		
Energiatarbimine:	2,8 kWh / 24 h (230 V~)	2,5 kWh / 24 h (230 V~)	3,2 kWh / 24 h (230 V~)
Gaasitarve	270 g / 24 h		
Gaasiühenduse rõhk:	30 millibaari		
Kliimaklass:	SN		

	RM10.5(S)(T)	RMS10.5(S)(T)	RMS10.5X(S)(T)
Mõõtmed K x L x S:	821 x 523 x 548 mm		821 x 523 x 603 mm
Kaal:	28 kg	27,4 kg	29 kg
Ülevaatus/sertifikaat	  		

Seadmele kehtiva EL-i vastavusdeklaratsiooni leiate vastavalt tootelehelte aadressil dometic.com või tootjaga otse ühendust võttes (vt dometic.com/dealer).

Täiendav tooteteave on saadaval tootel oleva energiasildi QR-koodi kaudu või aadressil eprel.ec.europa.eu.

Παρακαλούμε να διαβάσετε προσεκτικά το παρόν έγγραφο και να ακολουθήσετε όλες τις οδηγίες, τους κανονισμούς και τις προειδοποιήσεις που περιλαμβάνονται στο εγχειρίδιο αυτού του προϊόντος, έτσι ώστε να διασφαλίζεται πάντοτε η σωστή εγκατάσταση, χρήση και συντήρηση του προϊόντος. Αυτές οι οδηγίες ΠΡΕΠΕΙ πάντοτε να συνοδεύουν το προϊόν.

Με τη χρήση του προϊόντος επιβεβαιώνετε δια του παρόντος ότι έχετε διαβάσει προσεκτικά όλες τις οδηγίες, τους κανονισμούς και τις προειδοποιήσεις καθώς και ότι έχετε κατανοήσει και αποδέχεστε να τηρήσετε τους όρους και τις προϋποθέσεις που ορίζονται στο παρόν έγγραφο. Συμφωνείτε να χρησιμοποιείτε αυτό το προϊόν μόνο για τον προβλεπόμενο σκοπό και την προβλεπόμενη χρήση, πάντοτε σύμφωνα με τις οδηγίες, τους κανονισμούς και τις προειδοποιήσεις που ορίζονται στο παρόν εγχειρίδιο προϊόντος καθώς και σύμφωνα με όλους τους ισχύοντες νόμους και κανονισμούς. Σε περίπτωση μη ανάγνωσης και τήρησης των οδηγιών και των προειδοποιήσεων που ορίζονται στο παρόν έγγραφο, ενδέχεται να προκληθούν τραυματισμοί σε εσάς τον ίδιο και σε τρίτους, ζημιά στο προϊόν σας ή υλικές ζημιές σε άλλες ιδιοκτησίες στο άμεσο περιβάλλον. Αυτό το εγχειρίδιο προϊόντος, συμπεριλαμβανομένων των οδηγιών, των κανονισμών, των προειδοποιήσεων και των σχετικών εγγράφων, ενδέχεται να υποβληθεί σε τροποποιήσεις και ενημερώσεις. Για τις ενημερωμένες πληροφορίες προϊόντος, επισκεφθείτε την ηλεκτρονική διεύθυνση documents.dometic.com, [dometic.com](https://documents.dometic.com).



Το αναλυτικό εγχειρίδιο χρήσης και πληροφορίες σχετικά με τα τεχνικά στοιχεία μπορείτε να τα βρείτε online στην ηλεκτρονική διεύθυνση
https://documents.dometic.com/?object_id=69924

Περιεχόμενα

1	Επεξήγηση των συμβόλων	403
2	Υποδείξεις ασφαλείας	404
3	Προαιρετικά εξαρτήματα	407
4	Προβλεπόμενη χρήση	407
5	Σύνδεση του ψυγείου	416
6	Απόρριψη	421
7	Τεχνικά χαρακτηριστικά	421

1 Επεξήγηση των συμβόλων



ΠΡΟΕΙΔΟΠΟΙΗΣΗ!

Οδηγία ασφαλείας: Καταδεικνύει μια επικίνδυνη κατάσταση, η οποία εάν δεν αποτραπεί, μπορεί να προκληθεί θανατηφόρο ατύχημα ή σοβαρός τραυματισμός.

**ΠΡΟΦΥΛΑΞΗ!**

Οδηγία ασφαλείας: Καταδεικνύει μια επικίνδυνη κατάσταση, η οποία εάν δεν αποτραπεί, μπορεί να προκληθεί μικρής ή μέτριας σοβαρότητας τραυματισμός.

**ΠΡΟΣΟΧΗ!**

Καταδεικνύει μια κατάσταση, η οποία εάν δεν αποτραπεί, μπορεί να προκληθούν υλικές ζημιές.

**ΥΠΟΔΕΙΞΗ**

Συμπληρωματικά στοιχεία για τον χειρισμό του προϊόντος.

2 Υποδείξεις ασφαλείας



ΠΡΟΕΙΔΟΠΟΙΗΣΗ! Η μη τήρηση αυτών των προειδοποιήσεων ενδέχεται να έχει ως αποτέλεσμα την πρόκληση θανάτου ή σοβαρού τραυματισμού.

Κίνδυνος ηλεκτροπληξίας

- Η τοποθέτηση και η αφαίρεση του ψυγείου επιτρέπεται να πραγματοποιούνται μόνο από ειδικευμένο προσωπικό.
- Οι εργασίες επισκευής του ψυγείου επιτρέπεται να πραγματοποιούνται μόνο από ειδικευμένο τεχνικό προσωπικό. Τυχόν μη ενδεδειγμένες επισκευές ενδέχεται να οδηγήσουν σε σοβαρό κίνδυνο ή ζημιά στο ψυγείο.
- Εάν προκληθεί ζημιά στο καλώδιο τροφοδοσίας αυτού του ψυγείου, το καλώδιο πρέπει να αντικατασταθεί από τον κατασκευαστή, έναν τεχνικό του τμήματος εξυπηρέτησης πελατών ή έναν άλλο τεχνικό με παρόμοια εξειδίκευση, για να αποφευχθούν τυχόν κίνδυνοι ασφαλείας.
- Κατά την τοποθέτηση του ψυγείου, βεβαιωθείτε ότι το καλώδιο τροφοδοσίας δεν μαγκώνεται ή υφίσταται ζημιά.
- Μην τοποθετείτε φορητά πολύπριζα ή φορητές μονάδες τροφοδοσίας στην πίσω πλευρά του ψυγείου.
- Συνδέστε τη συσκευή σε πρίζες που διασφαλίζουν τη σωστή σύνδεση, ειδικά εάν η συσκευή πρέπει να είναι γειωμένη.

Κίνδυνος έκρηξης

- Μην ανοίγετε ποτέ την ψυκτική μονάδα. Βρίσκεται υπό υψηλή πίεση και μπορεί να προκαλέσει τραυματισμούς, εάν ανοιχθεί.
- Μην αποθηκεύετε καμία εκρηκτική ουσία στο ψυγείο, όπως π.χ. φιάλες στρέι με προωθητικά αέρια.
- Η συσκευή επιτρέπεται να λειτουργεί **μόνο** με την πίεση που αναφέρεται στην πινακίδα στοιχείων. Χρησιμοποιείτε μόνο σταθερά ρυθμισμένους ρυθμιστές πίεσης που ανταποκρίνονται στους εθνικούς κανονισμούς (στην Ευρώπη EN 12864).

Κίνδυνος πυρκαγιάς

- Αν χρησιμοποιήσετε στεγανοποιητική σιλικόνη ή παρεμφερές υλικό, η κατεργασία πρέπει να γίνει σωστά και χωρίς υπολείμματα. Υπάρχει κίνδυνος πυρκαγιάς, εάν ίνες σιλικόνης έρθουν σε επαφή με θερμά εξαρτήματα ή γυμνές φλόγες.
- Μην ελέγχετε ποτέ τη στεγανότητα της συσκευής με ανοιχτή φλόγα.
- Χρησιμοποιείτε μόνο προπάνιο ή βουτάνιο (**ποτέ** φυσικό αέριο).
- Το ψυκτικό μέσο στο κύκλωμα ψυκτικού μέσου είναι ιδιαίτερα εύφλεκτο και σε περίπτωση διαρροής, ενδέχεται να συσσωρευτούν εύφλεκτα αέρια, εάν η συσκευή βρίσκεται σε μικρό χώρο. Σε περίπτωση ζημιάς στο κύκλωμα ψυκτικού μέσου (οσμής αμμωνίας):
 - Διατηρήστε τις γυμνές φλόγες και πιθανές πηγές ανάφλεξης μακριά από το ψυγείο.
 - Αερίστε καλά τον χώρο.
 - Απενεργοποιήστε το ψυγείο.

Κίνδυνος για την υγεία

- Μη θέσετε σε λειτουργία τη συσκευή, εάν παρουσιάζει εμφανείς ζημιές.
- Εάν προκληθεί ζημιά στο καλώδιο τροφοδοσίας εναλλασσόμενου ρεύματος αυτής της συσκευής, το καλώδιο πρέπει να αντικατασταθεί από τον κατασκευαστή, έναν τεχνικό του τμήματος εξυπηρέτησης πελατών ή έναν άλλο τεχνικό με παρόμοια εξειδίκευση, για να αποφευχθούν τυχόν κίνδυνοι ασφαλείας.

Κίνδυνος παγίδευσης για παιδιά

- Βεβαιωθείτε ότι τα ράφια είναι τοποθετημένα και ασφαλισμένα, έτσι ώστε να μην είναι δυνατόν να κλειδωθούν παιδιά μέσα στο ψυγείο.

- Πριν από την απόρριψη του παλιού σας ψυγείου:
 - Αποσυναρμολογήστε τα συρτάρια.
 - Αφήστε τα ράφια μέσα στο ψυγείο ώστε να μην μπορούν να μπουν μέσα τα παιδιά.



ΠΡΟΦΥΛΑΞΗ! Η μη τήρηση αυτών των συστάσεων ενδέχεται να έχει ως αποτέλεσμα την πρόκληση ελαφρού ή μέτριου τραυματισμού.

Κίνδυνος ηλεκτροπληξίας

- Πριν από την έναρξη λειτουργίας της συσκευής, βεβαιωθείτε ότι το καλώδιο τροφοδοσίας και το φιλς είναι στεγνά.

Κίνδυνος σύνθλιψης

- Μη βάζετε τα χέρια σας στο μεντεσέ.

Κίνδυνος για την υγεία

- Για την αποφυγή τυχόν κινδύνων λόγω αστάθειας του ψυγείου, η συσκευή πρέπει να στερεώνεται σύμφωνα με τις οδηγίες τοποθέτησης.
- Μην ανοίγετε ή προκαλείτε σε καμία περίπτωση ζημιά στο κύκλωμα ψυκτικού μέσου.



ΠΡΟΣΟΧΗ! Κίνδυνος πρόκλησης ζημιάς

- Κατά τη μεταφορά, κρατήστε τη συσκευή σταθερά μόνο από το σώμα της συσκευής. Μην κρατάτε ποτέ τη συσκευή από την ψυκτική μονάδα απορρόφησης, τα πτερύγια ψύξης, τους σωλήνες αερίου, την πόρτα ή τον πίνακα ελέγχου.
- Μην τοποθετείτε τη συσκευή κοντά σε γυμνές φλόγες ή σε άλλες πηγές θερμότητας (θερμάστρες, άμεση ηλιακή ακτινοβολία, φούρνους αερίου κ.λπ.).
- **Κίνδυνος υπερθέρμανσης!**
Διασφαλίστε πάντοτε επαρκή αερισμό, έτσι ώστε να απομακρύνεται επαρκώς η θερμότητα, που δημιουργείται κατά τη λειτουργία. Βεβαιωθείτε ότι η συσκευή έχει επαρκή απόσταση από τοίχους και άλλα αντικείμενα, ώστε να μπορεί να κυκλοφορήσει ο αέρας.
- Συγκρίνετε την προδιαγραφή τάσης στην πινακίδα στοιχείων με την υπάρχουσα τροφοδοσία ηλεκτρικού ρεύματος.
- Συνδέετε τη συσκευή σε μια πρίζα με εναλλασσόμενο ρεύμα μόνο με το αντίστοιχο καλώδιο σύνδεσης.
- Χρησιμοποιείτε μόνο καλώδια με κατάλληλη διατομή.

- Μην τραβάτε ποτέ το καλώδιο σύνδεσης, για να αποσυνδέσετε το φιν από την πρίζα.
- Η συσκευή απαγορεύεται να εκτίθεται στη βροχή.

3 Προαιρετικά εξαρτήματα

Περιγραφή

Εύκαμπτος σωλήνας αερίου

Λάστιχο στεγανοποίησης αεροστεγούς τοποθέτησης για διάκενα 1–5 mm (σχ. **9 B**, σελίδα 7)

Λάστιχο στεγανοποίησης αεροστεγούς τοποθέτησης για διάκενα 5–10 mm (σχ. **9 C**, σελίδα 7)

Χειμερινό κάλυμμα WA 130 για το πλέγμα αερισμού LS 200

Καλώδιο προσαρμογέας

- WAGO σε CEE
- WAGO σε UK
- WAGO σε JST
- WAGO σε MATE-N-LOK

Προαιρετικό κιτ ανεμιστήρα REF-FANKIT

Προαιρετικό πακέτο μπαταριών Pack R10-BP για ανεξάρτητη λειτουργία με αέριο

Προαιρετικό κιτ αποθήκευσης

4 Προβλεπόμενη χρήση

Το ψυγείο είναι κατάλληλο για:

- Τοποθέτηση σε συρόμενα και αυτοκινούμενα τροχόσπιτα
- Ψύξη, κατάψυξη και αποθήκευση τροφίμων

Το ψυγείο δεν είναι κατάλληλο για:

- Αποθήκευση φαρμάκων
- Αποθήκευση διαβρωτικών ουσιών ή ουσιών που περιέχουν διαλύτες
- Τρόφιμα ταχείας κατάψυξης

Το ψυγείο προορίζεται για εγκατάσταση σε ντουλάπι ή εσοχή τοποθέτησης.

Αυτό το ψυγείο δεν προορίζεται για οικιακή χρήση.

Ο χώρος κατάψυξης είναι κατάλληλος για την αποθήκευση προκατεψυγμένων τροφίμων, την αποθήκευση ή την παρασκευή παγωτού και για να φτιάχνετε παγάκια. Δεν ενδείκνυται για την κατάψυξη τροφίμων που προηγουμένως έχουν ξεπαγώσει.

Αυτό το προϊόν είναι κατάλληλο μόνο για τον προβλεπόμενο σκοπό και την προβλεπόμενη χρήση σύμφωνα με αυτές τις οδηγίες.

Αυτό το εγχειρίδιο παρέχει πληροφορίες που είναι απαραίτητες για τη σωστή εγκατάσταση και χρήση του προϊόντος. Τυχόν μη ενδεδειγμένη εγκατάσταση, χρήση ή/και συντήρηση θα έχει ως συνέπεια την ανεπαρκή απόδοση και ενδεχομένως την πρόκληση βλάβης.

Ο κατασκευαστής δεν αποδέχεται καμία ευθύνη για τυχόν τραυματισμούς ή ζημιές στο προϊόν, που οφείλονται σε:

- Λανθασμένη συναρμολόγηση ή σύνδεση, συμπεριλ. της υπερβολικά υψηλής τάσης
- Λανθασμένη συντήρηση ή χρήση μη αυθεντικών ανταλλακτικών εξαρτημάτων, που δεν προέρχονται από τον κατασκευαστή
- Μετατροπές στο προϊόν χωρίς τη ρητή άδεια του κατασκευαστή
- Χρήση για σκοπούς διαφορετικούς από αυτούς που περιγράφονται σε αυτό το εγχειρίδιο

Η Dometic διατηρεί το δικαίωμα αλλαγής της εμφάνισης και των προδιαγραφών του προϊόντος.

Αυτό το προϊόν είναι κατάλληλο μόνο για τον προβλεπόμενο σκοπό και την προβλεπόμενη χρήση σύμφωνα με αυτές τις οδηγίες.

Αυτό το εγχειρίδιο παρέχει πληροφορίες που είναι απαραίτητες για τη σωστή εγκατάσταση και χρήση του προϊόντος. Τυχόν μη ενδεδειγμένη εγκατάσταση, χρήση ή/και συντήρηση θα έχει ως συνέπεια την ανεπαρκή απόδοση και ενδεχομένως την πρόκληση βλάβης.

Ο κατασκευαστής δεν αποδέχεται καμία ευθύνη για τυχόν τραυματισμούς ή ζημιές στο προϊόν, που οφείλονται σε:

- Λανθασμένη συναρμολόγηση ή σύνδεση, συμπεριλ. της υπερβολικά υψηλής τάσης
- Λανθασμένη συντήρηση ή χρήση μη αυθεντικών ανταλλακτικών εξαρτημάτων, που δεν προέρχονται από τον κατασκευαστή
- Μετατροπές στο προϊόν χωρίς τη ρητή άδεια του κατασκευαστή
- Χρήση για σκοπούς διαφορετικούς από αυτούς που περιγράφονται σε αυτό το εγχειρίδιο

Η Dometic διατηρεί το δικαίωμα αλλαγής της εμφάνισης και των προδιαγραφών του προϊόντος.

Τοποθέτηση του ψυγείου



ΠΡΟΦΥΛΑΞΗ! Κίνδυνος για την υγεία

Για την αποφυγή τυχόν κινδύνων λόγω αστάθειας της συσκευής, η συσκευή πρέπει να στερεώνεται σύμφωνα με τις οδηγίες.



Το εγχειρίδιο οδηγιών για την αλλαγή του στοπ πόρτας και της διακοσμητικής πλάκας θα το βρείτε online στην ηλεκτρονική διεύθυνση <https://dometic.com/manuals>

4.1 Προετοιμασία τοποθέτησης



ΠΡΟΣΟΧΗ!

- Το ψυγείο δεν επιτρέπεται να τοποθετηθεί στο πίσω μέρος των αυτοκινούμενων τροχόσπιτων με την πόρτα προς την κατεύθυνση κίνησης.
- Χρησιμοποιήστε αποκλειστικά τα γνήσια πλέγματα αερισμού της Dometic, για να διασφαλίσετε την ασφαλή λειτουργία.

Κατά την τοποθέτηση του ψυγείου, λάβετε υπόψη τις παρακάτω οδηγίες:

- Βεβαιωθείτε ότι το δάπεδο είναι σταθερό και επίπεδο. Σταθμεύστε το όχημα σε οριζόντιο έδαφος για τον σκοπό αυτό.
- Βεβαιωθείτε ότι το ψυγείο βρίσκεται σε οριζόντια θέση.
- Το ψυγείο πρέπει να εγκαθίσταται κατά τέτοιον τρόπο, ώστε
 - να είναι εύκολα προσβάσιμο για τις εργασίες σέρβις
 - να μπορεί να αφαιρεθεί και να τοποθετηθεί εύκολα
 - να μπορεί να αφαιρεθεί εύκολα από το όχημα
- Το ψυγείο πρέπει να τοποθετηθεί σε μια εσοχή, ώστε να παραμένει ασφαλισμένο, όταν το όχημα κινείται. Λάβετε υπόψη τις παρακάτω διαστάσεις (σχ. **1**, σελίδα 3 και σχ. **2**, σελίδα 4):

	RM10.5(S)(T)	RMS10.5(S)(T)	RMS10.5X(S)(T)
Ψυγείο	Συνολικές διαστάσεις σε mm		
Ύψος (A)	821	821	821
Πλάτος (B)	523	523	523
Βάθος (C) (Δεν συμπεριλ. το κουμπί ρύθμισης 5 mm)	548	548	603
Εσοχή	Διαστάσεις σε mm		
Ύψος (H)	≥829	≥829	≥829
Πλάτος (W)	≥525,5	≥525,5	≥525,5
Βάθος (D)	≥563	≥563	≥618

- Το ψυγείο πρέπει να εγκαθίσταται με ελάχιστη απόσταση 5 mm από το δάπεδο, ώστε να διασφαλίζεται το σωστό άνοιγμα της πόρτας (σχ. **3**, σελίδα 4).
 - Αποφύγετε την τοποθέτηση του ψυγείου απευθείας στο δάπεδο.
 - Βεβαιωθείτε ότι η ελεύθερη κίνηση της πόρτας δεν παρεμποδίζεται από τυχόν χαλιά.
- Στον εξωτερικό τοίχο πρέπει να ανοίξετε ένα άνοιγμα αερισμού (σχ. **4** 1, σελίδα 4) και ένα άνοιγμα εξαερισμού (σχ. **4** 2, σελίδα 4) με πλέγματα αερισμού, ώστε η εκλυόμενη θερμότητα να μπορεί να διαφεύγει εύκολα προς τα έξω:
 - Άνοιγμα αερισμού: Τοποθετήστε το πλέγμα αερισμού κατά το δυνατόν στο ίδιο επίπεδο με τη βάση της εσοχής τοποθέτησης.
 - Άνοιγμα εξαερισμού: όσο πιο ψηλά γίνεται, επάνω από το ψυγείο.
 - Η απόσταση ανάμεσα στο άνοιγμα αερισμού και στο άνοιγμα εξαερισμού πρέπει να είναι τουλάχιστον 750 mm για το RM 10.5 και 534 mm για το RMS 10.5 (σχ. **5**, σελίδα 5).
- Στην επάνω πλευρά του ψυγείου, τοποθετήστε ένα έλασμα απαγωγής θερμότητας (σχ. **5** 1, σελίδα 5), ώστε η θερμότητα να μην συσσωρεύεται στο όχημα.
- Η απόσταση ανάμεσα στο ψυγείο και στον πίσω τοίχο πρέπει να είναι τουλάχιστον 15 mm, αλλά δεν επιτρέπεται να υπερβαίνει τα 25 mm.

- Μια απόσταση επάνω από 25 mm μεταξύ του ψυγείου και του πίσω τοίχου συνεπάγεται απώλειες ισχύος και αυξημένη κατανάλωση ενέργειας του ψυγείου. Μειώστε τον κενό χώρο πίσω από το ψυγείο, ώστε να επιτυγχάνεται επαρκής αερισμός και εξαερισμός (σχ. **6**, σελίδα 5). Χρησιμοποιήστε για τον σκοπό αυτό π.χ. ένα έλασμα απαγωγής αέρα.
- Εάν η ελάχιστη απόσταση μεταξύ του ανοίγματος αερισμού και του ανοίγματος εξαερισμού δεν μπορεί να τηρηθεί, αντί για άνοιγμα εξαερισμού πρέπει να τοποθετηθεί ένας ανεμιστήρας εξαερισμού οροφής.
 - Ο ανεμιστήρας εξαερισμού οροφής θα πρέπει να τοποθετηθεί κατά το δυνατόν ακριβώς επάνω από την πίσω πλευρά του ψυγείου. Εάν πρέπει να τοποθετήσετε τον ανεμιστήρα εξαερισμού οροφής σε άλλη θέση, χρησιμοποιήστε έναν αεραγωγό (σχ. **7** 1, σελίδα 6), ώστε να μην προκαλείται συσσώρευση θερμότητας.
 - Η απόσταση ανάμεσα στο άνοιγμα αερισμού και στον ανεμιστήρα εξαερισμού οροφής πρέπει να είναι τουλάχιστον 750 mm για το RM10.5 και 534 mm για το RMS 10.5 (σχ. **7**, σελίδα 6).
 - Εάν υπάρχει κλιματιστικό οροφής, η απόσταση ανάμεσα στον ανεμιστήρα εξαερισμού οροφής (σχ. **8** 1, σελίδα 7) και στην έξοδο αέρα του κλιματιστικού οροφής (σχ. **8** 2, σελίδα 7) πρέπει να είναι τουλάχιστον 300 mm.
- Το ψυγείο δεν επιτρέπεται να τοποθετηθεί με το πλάι προς τα ανοίγματα αερισμού και εξαερισμού, διότι κάτι τέτοιο συνεπάγεται απώλειες ισχύος και αυξημένη κατανάλωση ενέργειας του ψυγείου.
- Κατά τη λειτουργία, οι οπές αερισμού και εξαερισμού δεν επιτρέπεται να καλύπτονται από μέρη του οχήματος (π.χ. από ανοιχτή πόρτα ή από πρόσθετα εξαρτήματα, όπως στηρίγματα ποδηλάτων).
- Το ψυγείο πρέπει να τοποθετείται σε μέρος προστατευμένο από υπερβολική θερμική ακτινοβολία, καθώς σε αντίθετη περίπτωση θα προκληθούν απώλειες ισχύος και αυξημένη κατανάλωση ενέργειας του ψυγείου.
- Το ψυγείο πρέπει να τοποθετείται σε αεροστεγές σημείο.

4.2 Τοποθέτηση του ψυγείου σε αεροστεγές σημείο



ΠΡΟΕΙΔΟΠΟΙΗΣΗ! Κίνδυνος πυρκαγιάς!

Για την αεροστεγή τοποθέτηση, μη χρησιμοποιείτε εύφλεκτα υλικά, όπως σιλικόνη στεγανοποίησης, αφρό συναρμολόγησης ή παρεμφερή υλικά.

Τα ψυγεία των αυτοκινούμενων ή συρόμενων τροχόσπιτων, που λειτουργούν με αέριο, πρέπει να τοποθετούνται σε αεροστεγές σημείο. Αυτό σημαίνει ότι ο αέρας καύσης δεν λαμβάνεται από τον εσωτερικό χώρο και ότι αποτρέπεται η άμεση είσοδος των καυσαερίων στον χώρο διαβίωσης.

Ανάμεσα στην πίσω πλευρά του ψυγείου και στον εσωτερικό χώρο του οχήματος πρέπει να τοποθετηθεί ένα κατάλληλο λάστιχο στεγανοποίησης.

Ο κατασκευαστής συνιστά τη χρήση ενός εύκαμπτου λάστιχου στεγανοποίησης, ώστε να διευκολύνεται η αφαίρεση και η τοποθέτηση για τις εργασίες συντήρησης.

Επιλέξτε μία από τις τρεις παραλλαγές αεροστεγούς τοποθέτησης (σχ. **9**, σελίδα 8):

Μπάρα συγκράτησης πίσω από το ψυγείο (A)

1. Κολλήστε με κόλλα ένα εύκαμπτο χείλος στεγανοποίησης **(1)** σε μια μπάρα συγκράτησης **(2)** πίσω από το ψυγείο **(3)**.
 2. Σπρώξτε τον συνδυασμό ψυγείου-φούρνου μέχρι την μπάρα συγκράτησης με τα εύκαμπτα χείλη στεγανοποίησης.
- ✓ Ο χώρος πίσω από το ψυγείο έχει στεγανοποιηθεί προς το εσωτερικό του οχήματος.

Διάσταση πλευρικού διακένου έως και 5 mm μεταξύ του ψυγείου και του επίπλου (B)

1. Κολλήστε με κόλλα τα χείλη στεγανοποίησης (βλέπε κεφάλαιο «Προαιρετικά εξαρτήματα» στη σελίδα 407) στο πλάι του επίπλου **(4)**.
 2. Σπρώξτε τον συνδυασμό ψυγείου-φούρνου επάνω στα εύκαμπτα χείλη στεγανοποίησης στο έπιπλο.
- ✓ Ο χώρος πίσω από το ψυγείο έχει στεγανοποιηθεί προς το εσωτερικό του οχήματος.

Διάσταση πλευρικού διακένου 5 mm έως 10 mm μεταξύ του ψυγείου και του επίπλου (C)

1. Κολλήστε με κόλλα τη στεγανοποίηση διπλού χείλους (βλέπε κεφάλαιο «Προαιρετικά εξαρτήματα» στη σελίδα 407) στο πλάι του επίπλου **(4)**.
 2. Σπρώξτε τον συνδυασμό ψυγείου-φούρνου επάνω στη στεγανοποίηση διπλού χείλους στο έπιπλο.
- ✓ Ο χώρος πίσω από το ψυγείο έχει στεγανοποιηθεί προς το εσωτερικό του οχήματος.

4.3 Διάνοιξη ανοιγμάτων αερισμού και εξαερισμού



ΥΠΟΔΕΙΞΗ

- Τυχόν αποκλίσεις από τις παραλλαγές αερισμού και εξαερισμού, που εικονίζονται εδώ, πρέπει να εγκριθούν από τον κατασκευαστή.
- Σε υψηλές θερμοκρασίες περιβάλλοντος, το ψυγείο μπορεί να επιτύχει τη μέγιστη ψυκτική ισχύ του μόνο εάν έχει διασφαλιστεί ο ιδανικός αερισμός και εξαερισμός.

- Ανοίξτε στον εξωτερικό τοίχο ένα άνοιγμα αερισμού και ένα άνοιγμα εξαερισμού μεγέθους 451 mm x156 mm.

Προσέξτε ταυτόχρονα τις σχετικές πληροφορίες, βλέπε κεφάλαιο «Προετοιμασία τοποθέτησης» στη σελίδα 409.

Εάν το πλέγμα στο άνοιγμα αερισμού δεν μπορεί να τοποθετηθεί στο ίδιο επίπεδο με το δάπεδο της εσοχής τοποθέτησης, θα πρέπει να διανοίξετε ένα άνοιγμα αερισμού στο δάπεδο του οχήματος. Έτσι, σε περίπτωση διαρροής αερίου, το αέριο θα μπορεί να διαφύγει προς τα κάτω.

1. Διανοίξτε πίσω από το ψυγείο, στην περιοχή του καυστήρα αερίου, ένα άνοιγμα αερισμού με διάμετρο τουλάχιστον \varnothing 40 mm στο δάπεδο (σχ. **10** 1, σελίδα 9).
2. Προστατεύστε την εξωτερική πλευρά του ανοίγματος με λασπωτήρα, ώστε να μην εισχωρούν λάσπες και ρύποι στον εσωτερικό χώρο, κατά την κίνηση του οχήματος (σχ. **10** 2, σελίδα 9).

Εάν αντί για άνοιγμα εξαερισμού πρέπει να χρησιμοποιήσετε ανεμιστήρα εξαερισμού οροφής:

- Κατασκευάστε ένα αντίστοιχο άνοιγμα στην οροφή. Ανατρέξτε στο εγχειρίδιο οδηγιών του ανεμιστήρα εξαερισμού οροφής για τις απαιτούμενες διαστάσεις.

Προσέξτε ταυτόχρονα τις σχετικές πληροφορίες στο κεφάλαιο «Προετοιμασία τοποθέτησης» στη σελίδα 409.

4.4 Τοποθέτηση του πλέγματος αερισμού



ΥΠΟΔΕΙΞΗ

Χρησιμοποιήστε αποκλειστικά τα γνήσια πλέγματα αερισμού της Dometic, για να διασφαλίσετε την ασφαλή λειτουργία.

Θέση στο σχ. 11, σελίδα 9	Περιγραφή
1	Πλαίσιο τοποθέτησης
2	Πλέγμα αερισμού
3	Σύρτης
4	Κάλυμμα χειμώνα για το πλέγμα αερισμού (προαιρετικά εξαρτήματα)
5	Προσαρμογέας για τον εύκαμπτο σωλήνα αποστράγγισης συμπτυκνωμάτων

1. Στεγανοποιήστε το πλαίσιο τοποθέτησης, για να επιτευχθεί υδατοστεγής σύνδεση (σχ. 12, σελίδα 9).
2. Τοποθετήστε το πλαίσιο τοποθέτησης και βιδώστε το σφιχτά (σχ. 13, σελίδα 9). Χρησιμοποιήστε όλες τις σπές στερέωσης για τον σκοπό αυτό.
3. Τοποθετήστε τον προσαρμογέα εύκαμπτου σωλήνα σύμφωνα με το (σχ. 14 1, σελίδα 10).
4. Τοποθετήστε το πλέγμα αερισμού σύμφωνα με την απεικόνιση (σχ. 15, σελίδα 10).

4.5 Τοποθέτηση του σωλήνα αποστράγγισης συμπτυκνωμάτων



ΥΠΟΔΕΙΞΗ

- Νερό συμπτυκνώματος μπορεί να σχηματιστεί στο εσωτερικό του ψυγείου λόγω πολύ συχνού ανοίγματος της πόρτας, λανθασμένης αποθήκευσης τροφίμων ή αποθήκευσης φαγητού στο ψυγείο, ενώ είναι ακόμη πολύ ζεστό.
- Το νερό συμπτυκνώματος πρέπει να αποστραγγίζεται με συνεχή κλίση.

Τοποθετήστε τον σωλήνα αποστράγγισης συμπτυκνωμάτων ως εξής:

- ▶ Στερεώστε τον εύκαμπτο σωλήνα νερού συμπτυκνώματος απευθείας στον προσαρμογέα, στο πλέγμα αερισμού (σχ. 14 2 σελίδα 10).

4.6 Τοποθέτηση του ανεμιστήρα εξαερισμού οροφής

Θέση στο σχ. 16, σελίδα 10	Περιγραφή
1	Κάλυμμα
2	Πλαίσιο τοποθέτησης

1. Στεγανοποιήστε το πλαίσιο τοποθέτησης, για να επιτευχθεί υδατοστεγής σύνδεση (σχ. 17, σελίδα 10).
2. Τοποθετήστε το πλαίσιο τοποθέτησης και βιδώστε το σφιχτά (σχ. 18, σελίδα 11). Χρησιμοποιήστε όλες τις οπές στερέωσης για τον σκοπό αυτό.
3. Τοποθετήστε το κάλυμμα και βιδώστε το σφιχτά (σχ. 19, σελίδα 11).

4.7 Στερέωση του ψυγείου



ΠΡΟΦΥΛΑΞΗ!

Το βίδωμα πρέπει να πραγματοποιείται μόνο μέσω των προβλεπόμενων σημείων, καθώς σε διαφορετική περίπτωση μπορεί να υποστούν ζημιές τα εξαρτήματα που είναι ενσωματωμένα στο αφρώδες υλικό, όπως π.χ. τα καλώδια.



ΥΠΟΔΕΙΞΗ

Στερεώστε τα πλευρικά τοιχώματα ή τις τοποθετημένες λωρίδες κατά τέτοιον τρόπο, ώστε οι βίδες να συγκρατούν σταθερά τη συσκευή, ακόμη και σε περίπτωση αυξημένης καταπόνησης (κατά την κίνηση του οχήματος).

1. Φέρτε το ψυγείο στην τελική του θέση.
2. Βιδώστε τις βίδες (σχ. 20 1, σελίδα 11) μέσα από τις πλαστικές υποδοχές στα πλευρικά τοιχώματα του ψυγείου και στη συνέχεια στο τοίχωμα της εσοχής τοποθέτησης.
3. Τοποθετήστε τα καπάκια (σχ. 20 2, σελίδα 11) επάνω στις κεφαλές των βιδών.

5 Σύνδεση του ψυγείου

5.1 Σύνδεση στην τροφοδοσία αερίου



ΠΡΟΕΙΔΟΠΟΙΗΣΗ! Η μη τήρηση αυτών των προειδοποιήσεων ενδέχεται να έχει ως αποτέλεσμα την πρόκληση θανάτου ή σοβαρού τραυματισμού. **Κίνδυνος για την υγεία**

- Το ψυγείο επιτρέπεται να συνδέεται στην τροφοδοσία αερίου μόνο από ειδικευμένο τεχνικό και σύμφωνα με τους ισχύοντες εθνικούς κανονισμούς και τα ισχύοντα εθνικά πρότυπα.
- Η σύνδεση εύκαμπτου σωλήνα **δεν** επιτρέπεται.
- Χρησιμοποιήστε μια βιδωτή σύνδεση με μεταλλικό περίβλημα.
- Το φίλτρο αερίου (λευκό) στη σύνδεση αερίου του ψυγείου δεν πρέπει να αφαιρεθεί.
- Χρησιμοποιείτε μόνο φιάλες προπανίου ή βουτανίου (όχι φυσικό αέριο ή αέριο πόλης) με εγκεκριμένη βαλβίδα μείωσης πίεσης και κατάλληλη κεφαλή. Συγκρίνετε τα στοιχεία πίεσης της πινακίδας τύπου με την πίεση που αναγράφεται στον ρυθμιστή πίεσης της φιάλης προπανίου ή βουτανίου.
- Το ψυγείο επιτρέπεται να τίθεται σε λειτουργία **μόνο** με την πίεση, που αναγράφεται στην πινακίδα τύπου.
- Το ψυγείο επιτρέπεται να τίθεται σε λειτουργία **μόνο** με τον τύπο αερίου, που αναγράφεται στην πινακίδα τύπου.
- Παρακαλούμε να λάβετε υπόψη τις τιμές πίεσης, που επιτρέπονται στη χώρα σας. Χρησιμοποιείτε μόνο ρυθμιστές πίεσης σταθερής ρύθμισης, που ανταποκρίνονται στους εθνικούς κανονισμούς.



ΥΠΟΔΕΙΞΗ

Προαιρετικά μπορείτε να χρησιμοποιήσετε τον εύκαμπτο σωλήνα σύνδεσης αερίου της Dometic, για να αποφευχθεί η πρόκληση μηχανικών τάσεων στην εγκατάσταση.

Το ψυγείο πρέπει να μπορεί να απομονώνεται από τον σωλήνα αερίου μέσω ενός ξεχωριστού διακόπτη. Ο διακόπτης αυτός πρέπει να είναι εύκολα προσβάσιμος.

1. Συνδέστε το ψυγείο σταθερά με το χέρι στην παροχή αερίου (σχ. **21**, σελίδα 11).



ΠΡΟΕΙΔΟΠΟΙΗΣΗ! Κίνδυνος έκρηξης

Η τήρηση των παρακάτω τιμών ροπής σύσφιξης είναι ιδιαίτερα σημαντική:

Θέση στο σχ. 21, σελίδα 11	Περιγραφή
1	Βίδα M4 (Torx TX20), ροπή σύσφιξης: 2 Nm
2	Σύνδεση αερίου του ψυγείου: M14 x 1,5 (d = 8 mm/ISO 8434 (DIN 2353))
3	Σωλήνας αερίου με δακτυλιοειδή σύνδεσμο (μέγεθος 17), ροπή σύσφιξης: 25 Nm

2. Αναθέστε σε έναν εξουσιοδοτημένο και ειδικευμένο τεχνικό την πραγματοποίηση ενός ελέγχου διαρροής και ενός ελέγχου φλόγας μετά από την επαγγελματική τοποθέτηση.

Βεβαιωθείτε ότι εκδόθηκε πιστοποιητικό ελέγχου και παραδώστε αυτό το πιστοποιητικό στην τελικό χρήστη για φύλαξη.

5.2 Σύνδεση σε συνεχές και εναλλασσόμενο ρεύμα



ΠΡΟΕΙΔΟΠΟΙΗΣΗ! Η μη τήρηση αυτών των προειδοποιήσεων ενδέχεται να έχει ως αποτέλεσμα την πρόκληση θανάτου ή σοβαρού τραυματισμού. Κίνδυνος ηλεκτροπληξίας

Η ηλεκτρική εγκατάσταση και οι σχετικές επισκευές επιτρέπεται να πραγματοποιούνται μόνο από ειδικευμένο ηλεκτρολόγο, σύμφωνα με τους ισχύοντες εθνικούς κανονισμούς και τα ισχύοντα εθνικά πρότυπα.



ΥΠΟΔΕΙΞΗ

- Το φιν της συσκευής δεν επιτρέπεται να τοποθετείται ακριβώς πίσω από το πλέγμα αερισμού, για να μην επηρεάζεται αρνητικά η κυκλοφορία του αέρα και για να προστατεύεται το φιν της συσκευής από τυχόν σταγόνες νερού.
- Το φιν του καλωδίου εναλλασσομένου ρεύματος της συσκευής δεν επιτρέπεται να κόβεται.
- Τα καλώδια σύνδεσης πρέπει να είναι τοποθετημένα κατά τέτοιον τρόπο, ώστε να μην έρχονται σε επαφή με τα θερμά μέρη της μονάδας / του καυστήρα ή με αιχμηρές ακμές.
- Οι αλλαγές στην εσωτερική ηλεκτρική εγκατάσταση ή η σύνδεση άλλων ηλεκτρικών εξαρτημάτων (π.χ. εξωτερικών πρόσθετων ανεμιστήρων) στην εσωτερική καλωδίωση του ψυγείου ακυρώνουν τυχόν αξιώσεις κάλυψης στο πλαίσιο της εγγύησης καλής λειτουργίας και της ευθύνης προϊόντος.
- Τα ψυγεία RM10.5 και RMS10.5 διαθέτουν μια διασύνδεση διαύλου C1 και μπορούν να ελεγχθούν μέσω μιας συμβατής κεντρικής οθόνης του οχήματος.

Ηλεκτρολογικό διάγραμμα του ψυγείου (σχ. 22, σελίδα 12)

Θέση στο σχ. 22, σελίδα 12	Περιγραφή
1	Ανεμιστήρας 1 (εάν η μονάδα προαιρετικού εξοπλισμού είναι διαθέσιμη)
2	Μονάδα προαιρετικού εξοπλισμού (προαιρετικά)
3	Τροφοδοσία συνεχούς ρεύματος φούρνου (εάν η μονάδα προαιρετικού εξοπλισμού είναι διαθέσιμη)
4	Τροφοδοσία συνεχούς ρεύματος μονάδας τροφοδοσίας
5	NTC 2: Εξωτερική θερμοκρασία (προαιρετικά)
6	NTC 1: Αισθητήρας θερμοκρασίας φρέσκων τροφίμων
7	Βαλβίδα αερίου
8	Φωτισμός
9	Διακόπτης Reed
10	S+ (προαιρετικά)
11	Θερμαντικό στοιχείο συνεχούς ρεύματος

Θέση στο σχ. 22, σελίδα 12	Περιγραφή
12	Ασφάλεια 15 A
13	Ρελέ συνεχούς ρεύματος για το θερμαντικό στέλεχος
14	Είσοδος αερίου
15	Μπλοκ σύνδεσης συνεχούς ρεύματος
16	Καλώδιο τροφοδοσίας συνεχούς ρεύματος ηλεκτρονικού συστήματος
17	Καλώδιο τροφοδοσίας συνεχούς ρεύματος θερμαντικού στοιχείου
18	Σύνδεση διαύλου CI
19	Τροφοδοσία εναλλασσόμενου ρεύματος
20	Θερμαντικό στοιχείο εναλλασσόμενου ρεύματος
21	Γείωση
22	Προστασία εναλλασσόμενου ρεύματος, γείωση
23	Ηλεκτρόδιο ανάφλεξης
24	Μονάδα τροφοδοσίας
25	Μονάδα οθόνης

Συνεχές ρεύμα



ΠΡΟΕΙΔΟΠΟΙΗΣΗ! Κίνδυνος πυρκαγιάς

- Η γραμμή τροφοδοσίας προς το θερμαντικό στοιχείο πρέπει να προστατεύεται με ασφάλεια 15 A.
- Η γραμμή τροφοδοσίας προς το ηλεκτρονικό σύστημα πρέπει να προστατεύεται με ασφάλεια 2 A.



ΠΡΟΣΟΧΗ!

Οι αντίστοιχες θετικές και αρνητικές γραμμές τροφοδοσίας των συνδέσεων συνεχούς ρεύματος για το ηλεκτρονικό σύστημα (σχ. 22 16, σελίδα 12) και το θερμαντικό στοιχείο (σχ. 22 17, σελίδα 12) **δεν** επιτρέπεται να συνδεθούν μεταξύ τους και να τροφοδοτούνται από ένα μονό καλώδιο. Σε διαφορετική περίπτωση, μπορεί να προκληθούν ηλεκτρικές παρεμβολές ή βλάβη στα ηλεκτρικά εξαρτήματα.

Παρακαλούμε τηρήστε τις παρακάτω διατομές καλωδίων (σχ. **23**, σελίδα 14):

- Συνδέσεις θερμαντικού στοιχείου:
 - <6 m (στο εσωτερικό): $\geq 6 \text{ mm}^2$
 - >6 m (στο εσωτερικό): $\geq 10 \text{ mm}^2$
 - Τροφοδοσία καλωδίου μέσω της δοκού ρυμούλκησης (μόνο συρόμενα τροχόσπιτα): $\geq 2,5 \text{ mm}^2$
 - Συνδέσεις ηλεκτρονικών: $\geq 0,75 \text{ mm}^2$
 - Συνδέσεις D+ και S+: $\geq 0,75 \text{ mm}^2$
1. Συναρμολογήστε την πρίζα συνεχούς ρεύματος ως εξής (σχ. **22**, σελίδα 12):
 - Συνδέστε το **A** και το **C** στον θετικό πόλο της μπαταρίας.
 - Συνδέστε το **D** και το **F** με τη γείωση.
 - Συνδέστε το **B** στο σήμα D+.
 Το ηλεκτρονικό σύστημα του ψυγείου χρησιμοποιεί το σήμα D+ του εναλλακτήρα, για να αναγνωρίζει πότε λειτουργεί ο κινητήρας. Στην αυτόματη λειτουργία, το ψυγείο επιλέγει τον πιο οικονομικό τρόπο λειτουργίας. Το ψυγείο λειτουργεί με συνεχές ρεύμα μόνο όσο λειτουργεί ο κινητήρας του οχήματος.
 - Συνδέστε το **E** στον δίαυλο CI-BUS.
 2. Συνδέστε το **10** με το σήμα S+ (προαιρετικά).
 3. Προστατέψτε τη γραμμή τροφοδοσίας **A** με μια ασφάλεια 2 A στο κουτί διανομής ρεύματος του οχήματος.
 4. Προστατέψτε τη γραμμή τροφοδοσίας **C** με μια ασφάλεια 15 A στο κουτί διανομής ρεύματος του οχήματος.
 5. Περάστε τη γραμμή τροφοδοσίας **C** μέσω ενός ρελέ, που ελέγχεται από το σύστημα ανάφλεξης.
 Με αυτόν τον τρόπο αποτρέπεται η πλήρης αποφόρτιση της μπαταρίας, εάν ο κινητήρας σβήσει κατά λάθος.

Εναλλασσόμενο ρεύμα

- Συνδέστε το ψυγείο σε μια πρίζα εναλλασσομένου ρεύματος, χρησιμοποιώντας το φισ της συσκευής.

6 Απόρριψη

Ανακύκλωση προϊόντων με μη αντικαθιστώμενες μπαταρίες, επαναφορτιζόμενες μπαταρίες ή φωτεινές πηγές



► Εάν το προϊόν περιέχει μη αντικαθιστώμενες μπαταρίες, επαναφορτιζόμενες μπαταρίες ή φωτεινές πηγές, δεν χρειάζεται να τις αφαιρέσετε πριν από την απόρριψή του.



► Εάν επιθυμείτε την τελική απόρριψη του προϊόντος, ζητήστε από το τοπικό κέντρο ανακύκλωσης ή έναν εξειδικευμένο αντιπρόσωπο λεπτομερείς πληροφορίες για τη σχετική διαδικασία σύμφωνα με τους ισχύοντες κανονισμούς διάθεσης απορριμμάτων.

► Το προϊόν μπορεί να απορριφθεί δωρεάν.




Ανακύκλωση των υλικών συσκευασίας



► Εάν είναι εφικτό, απορρίψτε τα υλικά συσκευασίας στους αντίστοιχους κάδους ανακύκλωσης.

7 Τεχνικά χαρακτηριστικά

	RM10.5(S)(T)	RMS 10.5(S)(T)	RMS 10.5X(S)(T)
Ηλεκτρική τάση σύνδεσης:	230 V~ /50 Hz 12 V==		
Χωρητικότητα			
Ολική χωρητικότητα:	88 l	78 l	92 l
Χώρος συντήρησης:	78,7 l	69,1 l	80,3 l
Χώρος κατάψυξης:	9,2 l	9,2 l	12,1 l
Συνολική ωφέλιμη χωρητικότητα:	86 l	76 l	90 l
Χωρίς τον χώρο κατάψυξης			
Ολική χωρητικότητα:	93 l	83 l	98 l
Ωφέλιμη χωρητικότητα:	91 l	81 l	96 l
Ισχύς εισόδου:	135 W (230 V~) 130 W (12 V==)		
Κατανάλωση ενέργειας:	2,8 kWh/24 h (230 V~)	2,5 kWh/24 h (230 V~)	3,2 kWh/24 h (230 V~)
Κατανάλωση αερίου:	270 g/24 h		
Πίεση σύνδεσης αερίου:	30 mbar		

	RM10.5(S)(T)	RMS10.5(S)(T)	RMS10.5X(S)(T)
Κλιματική κατηγορία:	SN		
Διαστάσεις Υ x Π x Β:	821 x 523 x 548 mm		821 x 523 x 603 mm
Βάρος:	28 kg	27,4 kg	29 kg
Έλεγχος / πιστοποίηση:	  		

Για την τρέχουσα δήλωση συμμόρφωσης ΕΕ για τη συσκευή σας, παρακαλούμε να ανατρέξετε στην αντίστοιχη σελίδα προϊόντος στον ιστότοπο dometic.com ή να επικοινωνήσετε απευθείας με τον κατασκευαστή (βλέπετε dometic.com/dealer).

Περαιτέρω πληροφορίες για το προϊόν μπορείτε να λάβετε μέσω του κωδικού QR στην ενεργειακή ετικέτα του προϊόντος ή μέσω του eprel.ec.europa.eu.

Atidžiai perskaitykite šį gaminio žinyną ir laikykitės visų jame pateiktų nurodymų, rekomendacijų ir įspėjimų, kad įrengtumėte gaminį ir visada juo naudotumėtės bei prižiūrėtumėte tinkamai. Ši instrukcija PRIVALO būti prie gaminio.

Tuo, jog naudojate gaminį, patvirtinate, kad atidžiai perskaitėte visus nurodymus, rekomendacijas ir įspėjimus ir suprantate čia pateiktas nuostatas ir sąlygas bei sutinkate jų laikytis. Sutinkate naudoti šį gaminį tik pagal numatytą paskirtį, numatytais reikmėmis ir laikydamiesi šiame gaminio žinyne pateiktų nurodymų, rekomendacijų ir įspėjimų bei visų galiojančių įstatymų ir kitų teisės aktų. Neperskaičius ir nesilaikant čia pateiktų nurodymų ir įspėjimų galite susižaloti patys ir sužaloti kitus, sugadinti gaminį arba kitą greta esantį turtą. Šis gaminio žinynas, įskaitant nurodymus, rekomendacijas ir įspėjimus, bei susiję dokumentai, gali būti keičiami ir atnaujinami. Naujausia informacija apie gaminį pateikiama adresu documents.dometic.com.



Išsamią naudojimo instrukciją ir informaciją apie techninius duomenis rasite internete adresu

https://documents.dometic.com/?object_id=69924

Turinys

1	Simbolių paaiškinimai	424
2	Saugos instrukcijos	425
3	Priedai	427
4	Paskirtis	427
5	Šaldytuvo prijungimas	435
6	Utilizavimas	439
7	Techniniai duomenys	439

1 Simbolių paaiškinimai



ĮSPĖJIMAS!

Saugos nurodymas: Žymi pavojingą situaciją, kuri, jei jos nebus išvengta, gali baigtis mirtimi arba sunkiu sužalojimu.



PERSPĖJIMAS!

Saugos nurodymas: Žymi pavojingą situaciją, kurios neišvengus gali būti patirti lengvi arba vidutinio sunkumo sužalojimai.



PRANEŠIMAS!

Nurodo situaciją, kurios neišvengus, gresia materialinė žala.

**PASTABA**

Papildoma informacija apie gaminio eksploatavimą.

2 Saugos instrukcijos



ĮSPĖJIMAS! Nesilaikant šių įspėjimų gali grėsti mirtis arba rimtas susižalojimas.

Elektros srovės pavojus

- Šaldytuvą montuoti ir atjungti gali tik kvalifikuoti darbuotojai.
- Šį šaldytuvą gali taisyti tik kvalifikuotas personalas. Netinkamai remonduojant gali kilti rimtas pavojus arba galima sugadinti šaldytuvą.
- Jei šio šaldytuvo maitinimo laidas yra pažeistas, jį turi pakeisti gamintojas, klientų aptarnavimo tarnyba arba panašią kvalifikaciją turintis asmuo, kad būtų išvengta grėsmių saugumui.
- Statydami šaldytuvą įsitikinkite, kad maitinimo laidas nėra įstrigęs ar pažeistas.
- Atkreipkite dėmesį į kelis nešiojamuosius lizdus arba nešiojamuosius maitinimo šaltinius šaldytuvo gale.
- Prietaisą prijunkite prie tinkamos jungties lizdų, ypač tada, kai jį reikia įžeminti.

Sprogimo pavojus

- Niekada neatidarykite absorberio bloko. Jis yra veikiamas didelio slėgio, todėl jį atidarius galima susižeisti.
- Šaldytuve nelaikykite jokių sprogių medžiagų, pavyzdžiui, purškiklių su sprogstamosiomis medžiagomis.
- Prietaisą naudokite **tik** esant slėgiui, nurodytam duomenų plokštelėje. Naudokite tik tokius slėgio regulatorius su fiksuotais nustatymais, kurie atitinka nacionalines taisykles (Europoje EN 12864).

Gaisro pavojus

- Jei naudojamas silikoninis hermetikas ar pan. medžiaga, dirbkite švariai ir nepalikdami likučių. Jei silikono gijos turės sąlytį su įkaitusiomis dalimis ar atvira liepsna, kils gaisro pavojus.
- Niekada nenaudokite atviros liepsnos prietaiso sandarumui patikrinti.
- Naudokite tik propano arba butano dujas (**ne** gamtines dujas).

- Aušalo grandinėje esantis aušalas yra labai degus, todėl įvykus nuotėkiui gali susikaupti degių dujų (jei prietaisas naudojamas mažoje patalpoje).
Esant bet kokiame aušalo grandinės kontūro pažeidimui (amoniako kvapas):
 - Atvirą liepsną ir potencialius degimo šaltinius laikykite atokiai nuo šaldytuvo.
 - Gerai išvėdinkite patalpą.
 - Išjunkite šaldytuvą.

Pavojus sveikatai

- Nenaudokite prietaiso, jei jis pastebimai pažeistas.
- Jei šio prietaiso kintamosios srovės maitinimo laidas yra pažeistas, jį turi pakeisti gamintojas, techninės priežiūros agentas arba panašią kvalifikaciją turintis asmuo, kad būtų išvengta grėsmių saugumui.

Vaikų įstrigimo pavojus

- Įsitikinkite, kad lentynos sumontuotos ir pritvirtintos taip, kad vaikai negalėtų užsirakinti šaldytuve.
- Prieš išmesdami seną šaldytuvą:
 - išmontuokite stalčius.
 - Palikite lentynas šaldytuve, kad vaikai negalėtų įlipti į vidų.



PERSPĖJIMAS! Nesilaikant šių įspėjimų gali grėsti nedidelis arba vidutinis susižalojimas.

Elektros srovės pavojus

- Prieš įjungdami prietaisą įsitikinkite, kad maitinimo šaltinis ir kištukas yra sausi.

Privėrimo pavojus

- Nekiškite pirštų tarp vyrių.

Pavojus sveikatai

- Jį būtina pritvirtinti pagal montavimo instrukcijas, kad būtų išvengta pavojaus dėl šaldytuvo nestabilumo.
- Jokiomis aplinkybėmis neatidarykite ir nepažeiskite šaltnešio kontūro.



PRANEŠIMAS! Žalos pavojus

- Transportuodami laikykite prietaisą tik už prietaiso korpuso. Niekada nelaikykite prietaiso už absorberio bloko, aušinimo briaunų, dujų vamzdžių, durelių ar valdymo skydelio.
- Nemontuokite prietaiso šalia atviros liepsnos ar kitų šilumos šaltinių (šaldytuvų, tiesioginių saulės spindulių, dujinių orkaičių ir t. t.).

- **Perkaitinimo pavojus!**

Visada užtikrinkite pakankamą ventilaciją, kad išsisklaidytų darbo metu susidaranti šiluma. Įsitikinkite, jog prietaisas yra pakankamai toli nuo sienų ir kitų objektų, kad oras galėtų cirkuliuoti.

- Įsitikinkite, kad duomenų plokštelėje nurodyta įtampa sutampa su jūsų maitinimo šaltinio įtampa.
- Norėdami prijungti prietaisą prie kintamosios srovės tinklo, naudokite tik pridedamą kintamosios srovės jungiamąjį kabelį.
- Naudokite tik tinkamo dydžio kabelius.
- Niekada netraukite kištuko iš kištukinio lizdo už jungiamojo kabelio.
- Prietaisas turi būti apsaugotas nuo lietaus.

3 Priedai

Aprašymas

Lankstus dujų vamzdelis

Nuo skersvėjų apsaugoto montažo plomba 1 – 5 mm tarpams (9 pav. B, 7 psl.)

Nuo skersvėjų apsaugoto montažo plomba 5 – 10 mm tarpams (9 pav. C, 7 psl.)

Žeminis dangtis WA 130 ventilacijos grotelėms LS 200

Adapterio kabelis

- WAGO, skirtas Vidurio ir Rytų Europai
- WAGO, skirtas Jungtinei Karalystei
- WAGO, skirtas Japonijai
- WAGO, skirtas MATE-N-LOK

Pasirenkamas ventiliatoriaus komplektas REF-FANKIT

Pasirenkamas akumuliatoriaus paketas R10-BP, skirtas autonominiam veikimui naudojant dujas

Pasirenkamas sandėliavimo komplektas

4 Paskirtis

Šaldytuvas tinkamas:

- montuoti gyvenamosiose priekabose ir nameliuose ant ratų;
- maisto atvėsinimui, giluminiam užšaldymui ir laikymui.

Šaldytuvas netinkamas:

- laikyti vaistus;
- laikyti esdinančias medžiagas arba medžiagas, kurių sudėtyje yra tirpiklių.
- maistui greitai užšaldyti.

Šaldytuvas skirtas montuoti spintelėje arba montavimo nišoje.

Šis šaldytuvas neskirtas naudoti buityje.

Užšalimo temperatūros kamerą galima naudoti iš anksto užšaldytam maistui laikyti, ledams laikyti arba gaminti ir ledo kubeliams ruošti. Jo negalima naudoti atšildytam maistui užšaldyti.

Šis gaminys tinka naudoti tik pagal šioje instrukcijoje nurodytą paskirtį ir tikslus.

Šiame vadove pateikiama informacija, reikalinga tinkamai įrengti ir (ar) naudoti gaminį. Dėl prasto įrengimo ir (arba) netinkamo naudojimo būdo ar techninės priežiūros gaminys gali netinkamai veikti ir sugesti.

Gamintojas neprisiims atsakomybės už patirtus sužeidimus ar žalą gaminiui, atsiradusius dėl šių priežasčių:

- Neteisingo surinkimo ar prijungimo, įskaitant perteklinę įtampą
- Netinkamos techninės priežiūros arba jeigu buvo naudotos neoriginalios, gamintojo nepateiktos atsarginės dalys
- Gaminio pakeitimai be aiškaus gamintojo leidimo
- Naudojimas kitais tikslais, nei nurodyta šiame vadove

„Dometic“ pasilieka teisę keisti gaminio išvaizdą ir specifikacijas.

Šis gaminį galima naudoti tik pagal numatytą paskirtį ir vadovaujantis šiomis instrukcijomis.

Šiame vadove pateikiama informacija, reikalinga tinkamam gaminio įrengimui ir (arba) naudojimui. Dėl prasto įrengimo ir (arba) netinkamo naudojimo būdo ar techninės priežiūros gaminys gali netinkamai veikti ir sugesti.

Gamintojas neprisiims atsakomybės už patirtus sužeidimus ar žalą gaminiui, atsiradusią dėl šių priežasčių:

- Neteisingo surinkimo ar prijungimo, įskaitant perteklinę įtampą
- Netinkamos techninės priežiūros arba jeigu buvo naudotos neoriginalios, gamintojo nepateiktos atsarginės dalys
- Gaminio pakeitimai be aiškaus gamintojo leidimo
- Naudojimas kitais tikslais, nei nurodyta šiame vadove

„Dometic“ pasilieka teisę keisti gaminio išvaizdą ir specifikacijas.

Šaldytuvo montavimas

**PERSPĖJIMAS! Pavojus sveikatai**

Prietaisą būtina pritvirtinti pagal instrukcijas, kad būtų išvengta pavojaus dėl jo nestabilumo.



Instrukcijų vadovą, kuriame pateikiama informacijos, kaip pakeisti durelių stabdiklį ir dekoratyvinę plokštę, rasite interneto svetainėje

<https://dometic.com/manuals>

4.1 Pasiruošimas montuoti**PRANEŠIMAS!**

- Šaldytuvo negalima įrengti namelio ant ratų gale, kai durelės nukreiptos važiavimo kryptimi.
- Naudokite tik originalias „Dometic“ ventiliacijos groteles, kad būtų užtikrintas saugus naudojimas.

Montuodami šaldytuvą, atkreipkite dėmesį į šiuos dalykus:

- Įsitinkite, kad grindys tvirtos ir lygios.
Šiuo tikslu pastatykite transporto priemonę horizontaliai.
- Įsitinkite, kad šaldytuvas nepakrypęs.
- Šaldytuvas turi būti sumontuotas taip, kad
 - būtų lengvai prieinamas aptarnavimo darbams atlikti,
 - jį būtų lengva išmontuoti ir sumontuoti,
 - jį būtų galima lengvai išnešti iš transporto priemonės.
- Šaldytuvas turi būti įrengtas nišoje, kad transporto priemonei judant jis patikimai stovėtų. Atkreipkite dėmesį į šiuos matmenis (**1** pav., 3 psl. ir **2** pav., 4 psl.):

	RM10.5(S)(T)	RMS10.5(S)(T)	RMS10.5X(S)(T)
Šaldytuvas	Bendras matmuo, mm		
Aukštis (A)	821	821	821
Plotis (B)	523	523	523

	RM 10.5(S)(T)	RMS 10.5(S)(T)	RMS 10.5X(S)(T)
Šaldytuvas	Bendras matmuo, mm		
Gylis (C) (išskyrus 5 mm reguliavimo rankenėlę)	548	548	603
Niša	Matmenys, mm		
Aukštis (H)	≥829	≥829	≥829
Plotis (P)	≥525,5	≥525,5	≥525,5
Gylis (G)	≥563	≥563	≥618

- Šaldytuvą būtina sumontuoti paliekant bent 5 mm atstumą nuo grindų, kad durelės tinkamai atsidarytų (**3** pav., 4 psl.).
 - Nestatykite šaldytuvo tiesiai ant grindų.
 - Įsitikinkite, kad kilimai netrukdydys durelėms judėti.
- Išorinėje sienelėje būtina sumontuoti oro įleidimo angą (**4** pav. 1, 4 psl.) ir oro išleidimo angą (**4** pav. 2, 4 psl.) su ventiliacijos grotelėmis, kad susidariusi šiluma galėtų lengvai išeiti į išorę:
 - Oro įleidimo anga: ventiliacijos groteles sumontuokite kuo lygiau montavimo nišos pagrindo atžvilgiu.
 - Oro išleidimo anga: sumontuokite kuo toliau nuo šaldytuvo.
 - Atstumas tarp oro įleidimo ir išleidimo angų turi būti bent 750 mm naudojant RM10.5 ir 534 mm naudojant RMS10.5 (**5** pav., 5 psl.).
- Virš šaldytuvo sumontuokite šilumai laidžią plokštelę (**5** pav. 1, 5 psl.), kad transporto priemonėje nesikauptų šiluma.
- Atstumas tarp šaldytuvo ir galinės sienelės turi būti ne mažesnis kaip 15 mm, bet ne didesnis kaip 25 mm.
- Didesnis nei 25 mm atstumas tarp šaldytuvo ir galinės sienos lemia prastą našumą ir padidina šaldytuvo energijos suvartojimą. Už šaldytuvo palikite kuo mažiau vietos, kad būtų užtikrinta tinkama įleidžiamo ir išleidžiamo oro ventiliacija (**6** pav., 5 psl.). Pavyzdžiui, norėdami tai padaryti, naudokite ventiliacijos plokštę.

- Jei neįmanoma padaryti mažiausio atstumo tarp oro įleidimo ir išleidimo angų, vietoj oro išleidimo angos turi būti įrengta stogo ventiliacijos anga.
 - Stogo ventiliacijos angą reikia sumontuoti kuo labiau tiesiai virš šaldytuvo galinės dalies (kiek tai įmanoma). Jei reikia sumontuoti stogo ventiliacijos angos atsvarą, naudokite oro kanalą (7 pav. 1, 6 psl.); kitu atveju ten kaupsis šiluma.
 - Atstumas tarp oro įleidimo angos ir stogo ventiliacijos angos turi būti bent 750 mm naudojant RM10.5 ir 534 mm naudojant RMS10.5 (7 pav., 6 psl.).
 - Jei pateiktas stogo oro kondicionierius, atstumas tarp stogo ventiliacijos angos (8 pav. 1, 7 psl.) ir stogo oro kondicionieriaus oro išleidimo angos (8 pav. 2, 7 psl.) turi būti bent 300 mm.
- Šaldytuvo negalima įrengti oro įleidimo ir išleidimo angų šone, nes tai lemia prastą veikimo našumą ir padidina šaldytuvo energijos suvartojimą.
- Naudojant oro įleidimo ir išleidimo angos neturi būti uždengtos transporto priemonės dalimis (pvz., atviromis durimis arba sumontuotais priedais, pvz., dviračių laikikliais).
- Sumontuokite šaldytuvą taip, kad jis būtų apsaugotas nuo pernelyg didelės šilumos, nes tai lemia prastą veikimo našumą ir padidina šaldytuvo energijos suvartojimą.
- Šaldytuvą turi būti sumontuotas vietoje, kurioje nebūna skersvėjų.

4.2 Šaldytuvo montavimas vietoje, kurioje nebūna skersvėjų



ĮSPĖJIMAS! Gaisro pavojus!

Nenaudokite degių medžiagų, pvz., silikono sandariklių, putų ar panašių medžiagų, kai montuojate vietoje, kurioje nebūna skersvėjų.

Dujiniai šaldytuvai priekabiniuose nameliuose arba nameliuose ant ratų turi būti sumontuoti vietoje, kurioje nebūna skersvėjų. Tai reiškia, kad degimo oras neištraukiamas iš vidaus, o išmetamieji dūmai negali tiesiogiai patekti į gyvenamąją zoną.

Tarp galinės šaldytuvo plokštės ir transporto priemonės vidaus turi būti sumontuota tinkama plomba.

Gamintojas rekomenduoja naudoti lanksčią plombą, kad būtų lengviau nuimti ir sumontuoti techninės priežiūros tikslais.

Pasirinkite vieną iš trijų nuo skersvėjų apsaugoto montažo versijų (**9** pav., 8 psl.):

Stabdiklio juosta už šaldytuvo (A)

1. Priklijuokite lankstų sandarinimo žiedą (**1**) prie stabdiklio juostos (**2**) už šaldytuvo (**3**).
 2. Pastumkite šaldytuvą į stabdiklio juostą su lanksčiais sandarinimo žiedais.
- ✓ Už šaldytuvo esanti vieta užsandarinama į transporto priemonės vidų.

Iki 5 mm šoninis tarpas tarp šaldytuvo ir baldų (B)

1. Priklijuokite sandarinimo žiedus (žr. skyrius „Priedai“ 427 psl.) baldų šone (**4**).
 2. Pastumkite šaldytuvą į lanksčius sandarinimo žiedus ant baldų.
- ✓ Už šaldytuvo esanti vieta užsandarinama į transporto priemonės vidų.

5–10 mm šoninis tarpas tarp šaldytuvo ir baldų (C)

1. Priklijuokite plombą su dvigubu žiedu (žr. skyrius „Priedai“ 427 psl.) baldų šone (**4**).
 2. Pastumkite šaldytuvą į plombą su dvigubu žiedu ant baldų.
- ✓ Už šaldytuvo esanti vieta užsandarinama į transporto priemonės vidų.

4.3 Oro įleidimo ir išleidimo angų darymas



PASTABA

- Nuokrypius nuo čia nurodytų oro įleidimo ir išleidimo angų turi patvirtinti gamintojas.
- Esant aukštai aplinkos temperatūrai, šaldytuvai gali užtikrinti maksimalią aušinimo galią tik tuo atveju, jei buvo užtikrinta optimali ventiliacija.

- Išorinėje sienoje padarykite 451 mm x 156 mm dydžio oro įleidimo angą ir oro išleidimo angą.

Tai atlikdami laikykitės informacijos, žr. skyrius „Pasiruošimas montuoti“ 429 psl..

Jei oro įleidimo angos ventiliacijos grotelių negalima įrengti tolygiai su nišos grindimis, oro įleidimo angą įrengkite grindyse. Tokiu būdu nuotėkio dujos galės judėti žemyn.

1. Padarykite bent \varnothing 40 mm angą grindyse (**10** pav. 1, 9 psl.) už šaldytuvo, šalia dujinio degiklio.

- Uždenkite angos išorę kreiptuvu, kad važiuojant dumblas ar purvas nepatektų į vidų (**10** pav. 2, 9 psl.).

Jei turite naudoti stogo ventilacijos angą vietoj oro išleidimo angos:

- Išpjaukite dalį stogo. Dėl reikiamų matmenų žr. stogo ventilacijos instrukcijų vadovą.
Tai atlikdami laikykitės informacijos, pateiktos skyrius „Pasiruošimas montuoti“ 429 psl..

4.4 Ventilacijos grotelių montavimas



PASTABA

Naudokite tik originalias „Dometic“ ventilacijos groteles, kad būtų užtikrintas saugus naudojimas.

Nr. 11 pav., 9 psl.	Aprašymas
1	Montavimo rėmas
2	Ventilacijos grotelės
3	Slankiklis
4	Žieminis dangtis ventilacijos grotelėms (priedas)
5	Kondensacijos išleidimo žarnelės adapteris

- Užsandarinkite montavimo rėmą, kad jungtis būtų nepralaidi vandeniui (**12** pav., 9 psl.).
- Įdėkite montavimo rėmą ir tvirtai prisukite (**13** pav., 9 psl.). Tam naudokite visas tvirtinimo angas.
- Sumontuokite žarnelės adapterį, kaip parodyta (**14** pav. 1, 10 psl.).
- Įdėkite ventilacijos groteles, kaip parodyta (**15** pav., 10 psl.).

4.5 Kondensacijos drenažo montavimas



PASTABA

- Dažnai darinėjant dureles, netinkamai laikant maistą ar įdėjus per šiltą maistą, šaldytuvo viduje gali susidaryti kondensacija.
- Kondensaciją reikia išleisti esant pastoviam nuolydžiui.

Kondensacijos drenažą sumontuokite taip:

- ▶ Pritvirtinkite kondensacijos žarnelę tiesiai prie ant ventilacijos grotelių esančio adapterio (14 pav. 2, 10 psl.).

4.6 Stogo ventilacijos angos montavimas

Nr. 16 pav., 10 psl.	Aprašymas
1	Gaubtas
2	Montavimo rėmas

1. Užsandarinkite montavimo rėmą, kad jungtis būtų nepralaidi vandeniui (17 pav., 10 psl.).
2. Įdėkite montavimo rėmą ir tvirtai prisukite (18 pav., 11 psl.). Tam naudokite visas tvirtinimo angas.
3. Įdėkite gaubtą ir tvirtai prisukite (19 pav., 11 psl.).

4.7 Šaldytuvo pritvirtinimas



PERSPĖJIMAS!

Prisukite tik per padarytas angas, kitaip galite pažeisti putų komponentus, pvz., kabelius.



PASTABA

Pritvirtinkite šonines sienas ar pritvirtintas juosteles taip, kad varžtai būtų tvirtai priveržti, net esant didesnei apkrovai (važiuojant).

1. Perkelkite šaldytuvą į galutinę stovėjimo vietą.
2. Per šaldytuvo šonuose esančią plastikinį apvalkalą priveržkite varžtus (20 pav. 1, 11 psl.), sukdami toliau į sieną.
3. Ant varžtų galvucių uždėkite dangtelius (20 pav. 2, 11 psl.).

5 Šaldytuvo prijungimas

5.1 Prijungimas prie dujų tiekimo sistemos



ĮSPĖJIMAS! Nesilaikant šių išpėjimų gali grėsti mirtis arba rimtas susižalojimas. Pavojus sveikatai

- Šį šaldytuvą prie dujų tiekimo sistemos gali prijungti tik specialistas, vadovaudamasis galiojančiomis nacionalinėmis gairėmis ir standartais.
- **Draudžiama** prijungti naudojant žarnelę.
- Naudokite metalinę užsandarintą varžtinę jungtį.
- Negalima pašalinti šaldytuvo dujų jungtyje esančio dujų filtro (baltos spalvos).
- Naudokite tik propano arba butano dujų (ne gamtinių ar miesto dujų) balionus su patvirtintu slėgio mažinimo vožtuvu ir tinkama galvute. Palyginkite gamintojo plokštelėje nurodytą slėgio informaciją su informacija apie slėgį, kuri nurodyta ant propano arba butano dujų baliono slėgio regulatoriaus.
- Šaldytuvą naudokite **tik** esant slėgiui, nurodytam gamintojo plokštelėje.
- Šaldytuvą naudokite **tik** esant dujų tipui, nurodytam gamintojo plokštelėje.
- Atsižvelkite į jūsų šalyje leidžiamą slėgį. Naudokite tik tokius slėgio regulatorius su fiksuotais nustatymais, kurie atitinka nacionalines taisykles.



PASTABA

Pasirinktinai galite naudoti „Dometic“ lankstų dujų prijungimo vamzdį, kad montažo neveiktų apkrova.

Šaldytuvą turi būti galima atskirai atjungti nuo dujų linijos, naudojant atjungimo prietaisą. Atjungimo prietaisas turi būti lengvai pasiekiamoje vietoje.

1. Patikimai ranka prijunkite šaldytuvą prie dujų tiekimo sistemos (21 pav., 11 psl.).



ĮSPĖJIMAS! Sprogimo pavojus

Labai svarbu laikytis šių užveržimo sukimo momentų:

Elementas 21 pav., 11 psl. Aprašymas	
1	M4 varžtas („Torx TX20“) Užveržimo sukimo momentas: 2 Nm
2	Šaldytuvo dujų jungtis: M14 x 1,5 (d = 8 mm / ISO 8434 (DIN 2353))
3	Dujų vamzdis su žiedine mova (17 dydžio) Užveržimo sukimo momentas: 25 Nm

2. Sumontavus profesionaliai įgaliotasis specialistas turi atlikti protėkio bandymą ir liepsnos bandymą.
Įsitikinkite, kad jums išduotas patikrinimo pažymėjimas, ir įteikite šį pažymėjimą galutiniam naudotojui saugoti.

5.2 Prijungimas prie nuolatinės srovės ir kintamosios srovės



ĮSPĖJIMAS! Nesilaikant šių įspėjimų gali grėsti mirtis arba rimtas susižalojimas. Elektros srovės pavojus

Elektros instaliaciją ir remontą gali atlikti tik specialistas pagal taikomas nacionalines taisykles ir standartus.



PASTABA

- Prietaiso kištukas negalima įtaisyti tiesiai už ventiliacijos grotelių, kad nesutrūktų oro cirkuliacija ir kad prietaiso kištukas būtų apsaugotas nuo vandens pūslų.
- Kintamosios srovės jungiamojo kabelio prietaiso kištukas negali būti pašalintas.
- Jungiamieji kabeliai turi būti išdėstyti taip, kad nesiliestų su karštomis prietaiso / degiklio dalimis arba aštriais kraštais.
- Atlikus vidinės elektros instaliacijos arba kitų elektros komponentų (pvz., papildomų trečiųjų šalių ventiliatorių) prijungimo prie šaldytuvo vidinių laidų pakeitimų, jokios garantinės pretenzijos ir atsakomybė už gaminį neteks galios.
- Šaldytuvai RM 10.5 ir RMS 10.5 turi CI magistralės sąsają ir gali būti valdomi per suderinamą centrinį transporto priemonės ekraną.

Šaldytuvo grandinės schema (22 pav., 12 psl.)

Elementas 22 pav., 12 psl.	Aprašymas
1	1 ventiliatorius (jei yra parinkčių modulis)
2	Parinkčių modulis (pasirenkamas)
3	Orkaitės nuolatinės srovės šaltinis (jei yra parinkčių modulis)
4	Maitinimo modulio nuolatinės srovės šaltinis
5	NTC 2: lauko temperatūra (pasirinktinai)
6	NTC 1: šviežio maisto temperatūros jutiklis
7	Dujų vožtuvas
8	Apšvietimas
9	Sandarusis magnetinis jungiklis
10	S+ (pasirinktinai)
11	Nuolatinės srovės šildymo elementas
12	15 A saugiklis
13	Šildymo kasetės nuolatinės srovės relė
14	Dujų įleidimo anga
15	Nuolatinės srovės prijungimo blokas
16	Elektronikos nuolatinės srovės tiekimo kabelis
17	Šildymo elemento nuolatinės srovės tiekimo kabelis
18	Ci-magistralės jungtis
19	AC elektros tiekimas
20	Kintamosios srovės šildymo elementas
21	Įžeminimas
22	Kintamosios srovės apsauginis įžeminimas
23	Uždegimo elektrodas
24	Maitinimo modulis
25	Ekrano modulis

Nuolatinė srovė



ĮSPĖJIMAS! Gaisro pavojus

- Į šildymo elementą nuvesta tiekimo linija turi būti apsaugota 15 A saugikliu.
- Į elektroniką nuvesta tiekimo linija turi būti apsaugota 2 A saugikliu.



PRANEŠIMAS!

Elektronikos (22 pav. 16, 12 psl.) ir šildymo elemento (22 pav. 17, 12 psl.) nuolatinės srovės jungčių atitinkamų teigiamų ir neigiamų tiekimo linijų **negalima** tarpusavyje sujungti ir prijungti vienu laidu. Antraip gali kilti elektros trukdžių arba gali būti pažeisti elektros komponentai.

Atkreipkite dėmesį į šiuos kabelių dydžius (23 pav., 14 psl.):

- Šildymo elemento jungtys:
 - <6 m (viduje): $\geq 6 \text{ mm}^2$
 - >6 m (viduje): $\geq 10 \text{ mm}^2$
 - Per vilkimo siją nuvestas kabelis (tik priekabinių namelių atveju): $\geq 2,5 \text{ mm}^2$
 - Elektronikos jungtys: $\geq 0,75 \text{ mm}^2$
 - D+ ir S+ jungtys: $\geq 0,75 \text{ mm}^2$
- Nuolatinės srovės lizdą surinkite taip (22 pav., 12 psl.):
 - Prijunkite **A** ir **C** prie akumulatoriaus teigiamojo poliaus.
 - Prijunkite **D** ir **F** prie įžeminimo.
 - Prijunkite **B** prie D+ signalo.
Šaldytuvo elektronika naudoja kintamosios srovės generatoriaus D+ signalą veikiančiam varikliui aptikti. Automatinio režimu šaldytuvą pasirenka palankiausia galimą režimą. Veikiant transporto priemonės varikliui, šaldytuvą veikia tik naudodamas nuolatinę srovę.
 - Prijunkite **E** prie CI-MAGISTRALĖS.
 - Prijunkite **10** prie S+ signalo (pasirinktinai).
 - Apsaugokite tiekimo liniją **A** 2 A saugikliu, sumontuotu transporto priemonės paskirstymo dėžėje.
 - Apsaugokite tiekimo liniją **C** 15 A saugikliu, sumontuotu transporto priemonės paskirstymo dėžėje.
 - Paleiskite tiekimo liniją **C** per degimo reguliuojamą relę.
Jei variklis netyčia būtų išjungtas, tai neleis akumulatoriui visiškai išsikrauti.

Kintamoji srovė

- Prietaiso kištuku prijunkite šaldytuvą prie kintamosios srovės lizdo.

6 Utilizavimas

Gaminių, kurių sudėtyje yra nekeičiami akumulatoriai, įkraunami akumulatoriai ir šviesos šaltiniai perdirbimas



► Jei gaminio sudėtyje yra nekeičiamų akumuliatorių, įkraunamų akumuliatorių ar šviesos šaltinių, prieš utilizuojant jų išimti nereikia.

► Jei norite utilizuoti gaminį, kreipkitės į vietinį perdirbimo centrą arba specializuotą prekybos atstovą, kuris nurodys, kaip tai padaryti pagal galiojančias atliekų šalinimo taisykles.



► Produktą galima utilizuoti nemokamai.




Pakavimo medžiagos perdirbimas



► Jei įmanoma, pakavimo medžiagą sudėkite į atitinkamas perdirbimo šiukšlaidėzes.

7 Techniniai duomenys

	RM10.5(S)(T)	RMS10.5(S)(T)	RMS10.5X(S)(T)
Jungties įtampa:	230 V~ / 50 Hz 12 Vg		
Talpa			
Bendroji talpa	88 l	78 l	92 l
Šaldytuvo skyrius:	78,7 l	69,1 l	80,3 l
Šaldiklio kamera:	9,2 l	9,2 l	12,1 l
Bendra grynoji talpa:	86 l	76 l	90 l
be šaldiklio kameros			
Bendroji talpa	93 l	83 l	98 l
Grynoji talpa:	91 l	81 l	96 l
Maitinimo įvestis:	135 W (230 V~) 130 W (12 Vg)		
Suvartojamos energijos kiekis:	2,8 kWh / 24 val. (230 V~)	2,5 kWh / 24 val. (230 V~)	3,2 kWh / 24 val. (230 V~)
Dujų sąnaudos:	270 g / 24 val.		
Dujų prijungimo slėgis:	30 mbar		
Klimato klasė:	SN		

	RM10.5(S)(T)	RMS10.5(S)(T)	RMS10.5X(S)(T)
Matmenys (A x P x G):	821 x 523 x 548 mm		821 x 523 x 603 mm
Svoris:	28 kg	27,4 kg	29 kg
Patikra / sertifikatas:	  		

Dėl dabartinės jūsų prietaiso ES atitikties deklaracijos žr. atitinkamą gaminio puslapį svetainėje dometic.com arba susisiekite su gamintoju tiesiogiai (žr. dometic.com/dealer).

Daugiau informacijos apie gaminį galite rasti nuskaityę QR kodą, esantį ant gaminio energijos etiketės, arba eprel.ec.europa.eu.

Lūdzu, rūpīgi izlasiet šīs lietošanas rokasgrāmatas norādījumus un ievērojiet visus norādījumus, vadlīnijas un brīdinājumus, kas ietverti šajā produkta rokasgrāmatā, lai nodrošinātu, ka produkts vienmēr tiek pareizi uzstādīts, lietots un apkopts. Šie norādījumi ir JĀGLABĀ kopā ar produktu.

Lietojot šo produktu jūs apstiprināt, ka visi norādījumi, vadlīnijas un brīdinājumi ir izlasīti, saprasti, un jūs piekrītat ievērot noteikumus un nosacījumus, kas izklāstīti šajā rokasgrāmatā. Jūs piekrītat lietot šo produktu tikai tam paredzētajam nolūkam un pielietojumam, un saskaņā ar norādījumiem, vadlīnijām un brīdinājumiem, kas izklāstīti šajā produkta rokasgrāmatā, kā arī saskaņā ar piemērojamiem tiesību aktiem un noteikumiem. Neizlasot un neievērojot instrukcijas un brīdinājumus, kas izklāstīti šajā rokasgrāmatā, varat radīt savainojumus sev un citiem, nodarīt bojājumus produktam vai bojājumus citam tuvmā esošajam īpašumam. Šī produkta rokasgrāmatā, tostarp norādījumi, vadlīnijas un brīdinājumi, un saistītā dokumentācija var mainīties vai tikt atjaunota. Lai iegūtu jaunāko produkta informāciju, lūdzu, apmeklējiet vietni documents.dometic.com.



Detalizētu lietošanas rokasgrāmatu un tehnisko datu informāciju atradīsiet tiešsaistē vietnē
https://documents.dometic.com/?object_id=69924

Saturs

1	Simbolu skaidrojums.	441
2	Drošības norādes	442
3	Papildu piederumi.	444
4	Paredzētais izmantošanas mērķis	444
5	Ledusskapja pievienošana	452
6	Atkritumu pārstrāde	456
7	Tehniskie dati	456

1 Simbolu skaidrojums



BRĪDINĀJUMS!

Drošības norāde: Apzīmē bīstamu situāciju, kas var izraisīt nāvējošus vai nopietnus savainojumus, ja netiks novērsta.



ESIET PIESARDZĪGI!

Drošības norāde: Apzīmē bīstamu situāciju, kas var izraisīt vieglus vai vidēji smagus savainojumus, ja netiks novērsta.



ŅEMIET VĒRĀ!

Apzīmē bīstamu situāciju, kas var izraisīt materiālu kaitējumu, ja netiks novērsta.

**PIEZĪME**

Papildu informācija produkta lietošanai.

2 Drošības norādes



BRĪDINĀJUMS! Šo brīdinājumu neievērošana var izraisīt nāvējošas vai smagas traumas.

Nāvējoša elektrošoka risks

- Ledusskapi atļauts uzstādīt vai noņemt tikai kvalificētiem speciālistiem.
- Ledusskapja remontu drīkst veikt tikai kvalificēts speciālists. Nepareizs remonts var izraisīt nopietnu apdraudējumu vai ledusskapja bojājumus.
- Ja ledusskapja elektrības vads ir bojāts, tā nomaiņu drīkst veikt ražotājs, tā klientu apkalpošanas dienests vai līdzvērtīgi kvalificēta persona, lai izvairītos no drošības apdraudējuma.
- Novietojiet ledusskapi tā, lai elektrības vads netiktu saspiests vai bojāts.
- Nenovietojiet aiz ledusskapja pagarinātājus ar vairākām kontaktligzdām vai pārnēsājamās barošanas avotus.
- Pievienojiet ierīci tikai tādām kontaktligzdām, kas nodrošina pareizu savienojumu - it īpaši, kad ierīcei nepieciešams zemējums.

Sprādzienbīstamība

- Nekādā gadījumā neatveriet absorbcijas ierīci. Tajā ir augsts spiediens, un, to atverot, var gūt savainojumus.
- Neuzglabājiet ledusskapī sprādzienbīstamas vielas, piemēram, aerosolu baloniņus ar propelentiem.
- Darbiniet ierīci **tikai** ar tādu spiedienu, kāds norādīts uz datu plāksnītes. Izmantojiet tikai valsts regulām atbilstīgus spiediena regulatorus ar fiksētu regulējumu (Eiropā - EN 12864).

Ugunsdrošības apdraudējums

- Izmantojot silikona hermētiķi vai līdzīgu produktu, pārļiecinieties, ka darbs veikts rūpīgi un bez vielu atlikumiem. Ja silikona atlikumi nonāk saskarē ar karstām detaļām vai atklātu liesmu, pastāv aizdegšanās risks.
- Nekad neizmantojiet atklātu liesmu, lai meklētu ierīces noplūdes.
- Izmantojiet tikai propānu vai butānu (**nevis** dabasgāzi).

- Aukstumaģenta sistēmā esošais aukstumaģents ir ļoti viegli uzliesmojošs, tāpēc noplūdes gadījumā iespējama uzliesmojošu gāzu uzkrāšanās, ja ierīce atrodas mazā telpā.
Ja ir bojāta aukstumaģenta sistēma (jūtama amonjaka smaka):
 - nodrošiniet, ka ledusskapja tuvumā nav atklātas liesmas vai potenciālu aizdegšanās avotu;
 - labi izvēdiniet telpu;
 - izslēdziet ledusskapi.

Apdraudējums veselībai

- Nelietojiet ierīci, ja tai ir redzami bojājumi.
- Ja maiņstrāvas barošanas vads ir bojāts, tā nomaiņu drīkst veikt ražotājs, servisa pārstāvis vai līdzvērtīgi kvalificēta persona, lai izvairītos no drošības apdraudējuma.

Bērnu iesprostošanas risks

- Nodrošiniet, ka plaukti ir uzstādīti un nostiprināti tā, lai bērni nevarētu sevi ieslēgt ledusskapī.
- Pirms atbrīvošanās no jūsu vecā ledusskapja:
 - demontējiet atvilktnes;
 - atstājiet plauktus ledusskapī, lai bērni nevarētu tajā ierāpties.



ESIET PIESARDZĪGI! Šo brīdinājumu neievērošana var izraisīt vieglas vai vidēji smagas traumas.

Nāvējoša elektrošoka risks

- Pirms ierīces ieslēgšanas pārliecinieties, ka elektrības vads un kontaktdakša ir sausa.

Saspiešanas risks

- Sargājiet pirkstus no eņģēm.

Apdraudējums veselībai

- Lai izvairītos no apdraudējuma, kas var rasties ledusskapja nestabilitātes dēļ, tas jānostiprina saskaņā ar uzstādīšanas norādījumiem.
- Nekādā gadījumā neatveriet vai nebojājiet aukstumaģenta sistēmu.



ŅEMIET VĒRĀ! Bojājumu risks

- Pārvietojot ierīci, turiet to tikai aiz korpusa. Neturiet ierīci aiz absorbcijas ierīces, dzesēšanas ribām, gāzes cauruļvadiem, durvīm vai vadības paneļa.
- Neuzstādiet ierīci atklātas liesmas vai citu siltuma avotu (sildītāju, tiešu saules staru, gāzes plīšu u.c.) tuvumā.

- **Pārkaršanas risks!**

Vienmēr nodrošiniet pietiekamu ventilāciju, lai ierīces radītais siltums var izkliedēties. Pārliecinieties, ka ierīce ir pietiekamā attālumā no sienām un citiem objektiem, lai nodrošinātu gaisa cirkulāciju.

- Pārliecinieties, ka elektroenerģijas avota spriegums atbilst datu plāksnītē norādītajam.
- Izmantojiet tikai ierīces komplektā esošo maiņstrāvas savienojuma vadu, lai pievienotu ierīci maiņstrāvas elektrotīklam.
- Izmantojiet tikai vadus ar atbilstošu šķērs griezumam.
- Nekādā gadījumā neatvienojiet kontaktdakšu no kontaktligzdas, velkot to aiz vada.
- Sargājiet ierīci no lietus.

3 Papildu piederumi

Apraksts

Elastīga cauruļvadu sistēma

Blīvlēgls 1 – 5 mm spraugu noslēgšanai (att. **9 B**, 7. lpp.)

Blīvlēgls 5 – 10 mm spraugu noslēgšanai (att. **9 C**, 7. lpp.)

Ziemas pārsegs WA 130 ventilācijas režģim LS 200

Adaptēra vads

- WAGO uz CEE
- WAGO uz UK
- WAGO uz JST
- WAGO uz MATE-N-LOK

REF-FANKIT ventilatora komplekts (izvēles aprīkojums)

Pack R10-BP akumulatoru bloks autonomai darbībai ar gāzi (izvēles aprīkojums)

Uzglabāšanas komplekts (izvēles aprīkojums)

4 Paredzētais izmantošanas mērķis

Ledusskapis ir piemērots tālāk norādītajiem izmantošanas veidiem.

- Uzstādīšanai dzīvojamajās piekabēs un dzīvojamajos transportlīdzekļos
- Ēdiena dzesēšanai, dziļajai sasaldēšanai un uzglabāšanai

Ledusskapis nav piemērots tālāk norādītajiem izmantošanas veidiem.

- Medikamentu uzglabāšanai
- Korozīvu vai šķīdinātājus saturošu materiālu uzglabāšanai
- Ātrai ēdiena sasaldēšanai

Ledusskapis ir paredzēts iebūvēšanai mēbelēs vai nišā.

Šis ledusskapis nav paredzēts lietošanai māsaimniecībā.

Saldētu produktu nodalījums ir paredzēts iepriekš sasaldēta ēdiena uzglabāšanai, saldējuma uzglabāšanai vai gatavošanai, kā arī ledus gabaliņu veidošanai. Tas nav piemērots iepriekš atsaldēta ēdiena atkārtotai sasaldēšanai.

Šis produkts ir piemērots tikai paredzētajam mērķim un pielietojumam saskaņā ar šo instrukciju.

Šajā rokasgrāmatā ir sniegta nepieciešamā informācija par produkta pareizu uzstādīšanu un/vai lietošanu. Nekvalitatīva uzstādīšana un/vai nepareiza lietošana vai apkope izraisīs neatbilstošu darbību un iespējamus bojājumus.

Ražotājs neuzņemas atbildību par savainojumiem vai produkta bojājumiem, kas radušies šādu iemeslu dēļ:

- nepareiza montāža vai pievienošana, tostarp pārmērīgs spriegums;
- nepareiza apkope vai tādu neoriģinālo rezerves daļu, kuras nav piegādājis ražotājs, lietošana;
- produkta modifikācijas, kuras ražotājs nav nepārprotami apstiprinājis;
- lietošana citiem mērķiem, kas nav aprakstīti šajā rokasgrāmatā.

Dometic patur tiesības mainīt produkta ārējo izskatu un specifiskācijas.

Šis produkts ir piemērots tikai paredzētajam mērķim un lietojumam saskaņā ar šo instrukciju.

Šajā rokasgrāmatā ir sniegta informācija, kas nepieciešama pareizai produkta uzstādīšanai un/vai lietošanai. Nekvalitatīva uzstādīšana un/vai nepareiza lietošana vai apkope izraisīs neatbilstošu darbību un iespējamus bojājumus.

Ražotājs neuzņemas atbildību par savainojumiem vai produkta bojājumiem, kas radušies šādu iemeslu dēļ:

- nepareiza montāža vai pievienošana, tostarp pārmērīgs spriegums;
- nepareiza apkope vai tādu neoriģinālo rezerves daļu, kuras nav piegādājis ražotājs, lietošana;
- produkta modifikācijas, kuras ražotājs nav nepārprotami apstiprinājis;
- lietošana citiem mērķiem, kas nav aprakstīti šajā rokasgrāmatā.

Dometic patur tiesības mainīt produkta ārējo izskatu un specifikācijas.

Ledusskapja uzstādīšana



ESIET PIESARDZĪGI! Apdraudējums veselībai

Lai izvairītos no apdraudējuma, kas var rasties ierīces nestabilitātes dēļ, tā jānostiprina saskaņā ar norādījumiem.



Durvju atdures un dekoratīvās plāksnes nomainas instrukcijas meklējiet tiešsaistē, apmeklējot <https://dometic.com/manuals>

4.1 Sagatavošanās uzstādīšanai



ŅEMĪET VĒRĀ!

- Ledusskapi nedrīkst uzstādīt dzīvojamā treilera aizmugurē ar braukšanas virzienā vērstām durvīm.
- Drošas ekspluatācijas garantēšanai izmantojiet tikai oriģinālos Dometic ventilācijas režģus.

Uzstādot ledusskapi, ņemiet vērā tālākās norādes.

- Grīdai jābūt stingrai un līdzenai.
Šim nolūkam novietojiet transportlīdzekli horizontālā vietā.
- Nodrošiniet, ka ledusskapis ir nolīmeņots.
- Ledusskapis jāuzstāda tā, lai:
 - tam būtu viegli piekļūt apkopes veikšanai;
 - to varētu viegli uzstādīt un demontēt;
 - to var viegli izņemt no transportlīdzekļa.
- Ledusskapis jāuzstāda padziļinājumā, lai tas stāvētu droši, kad transportlīdzeklis atrodas kustībā. Ņemiet vērā tālā norādītos izmērus (att. **1**, 3. lpp. un att. **2**, 4. lpp.):

	RM10.5(S)(T)	RMS10.5(S)(T)	RMS10.5X(S)(T)
Ledusskapis	Kopējie izmēri, mm		
Augstums (A)	821	821	821
Platums (B)	523	523	523
Dziļums (C) (neskaitot 5 mm vadības slēdzi)	548	548	603
Padziļinājums	Izmēri, mm		
Augstums (H)	≥829	≥829	≥829
Platums (W)	≥525,5	≥525,5	≥525,5
Dziļums (D)	≥563	≥563	≥618

- Ledusskapis jāuzstāda vismaz 5 mm augstumā no grīdas, lai nodrošinātu pareizu durvju atvēršanu (att. **3**, 4. lpp.).
 - Izvairieties no ledusskapja novietošanas tieši uz grīdas.
 - Pārliedzinieties, ka paklāji netraucē durvju atvēršanai un aizvēršanai.
- Radītā siltuma vieglai novirzīšanai ārpusē ārējā sienā jāizveido gaisa ieplūdes atvere (att. **4** 1, 4. lpp.) un gaisa izplūdes atvere (att. **4** 2, 4. lpp.), kas aprīkotas ar ventilācijas režģiem.
 - Gaisa ieplūdes atvere: uzstādiet ventilācijas režģi tā, lai tas būtu iespējami vienā līmenī ar uzstādīšanas nišas pamatni.
 - Izplūdes atvere: ierīkojiet to tik augstu no ledusskapja, cik iespējams.
 - Attālumam starp gaisa ieplūdes un izplūdes atverēm jābūt vismaz 750 mm RM10.5 modelim un 534 mm RMS10.5 modelim (att. **5**, 5. lpp.).
- Virs ledusskapja uzstādiet siltumvadošu plāksni (att. **5** 1, 5. lpp.), lai karstums neuzkrātos transportlīdzeklī.
- Attālumam starp ledusskapi un aizmugurējo sienu jābūt vismaz 15 mm, bet ne vairāk par 25 mm.
- Ja attālumam starp ledusskapi un aizmugurējo sienu ir lielāks par 25 mm, ledusskapis darbojas ar zemu efektivitāti un paaugstinātu enerģijas patēriņu. Samaziniet telpu aiz ledusskapja, lai radītu piemērotu gaisa ieplūdes un izplūdes ventilāciju (att. **6**, 5. lpp.). Šim nolūkam izmantojiet, piemēram, ventilācijas režģi.

- Ja nav iespējams ievērot minimālo attālumu starp gaisa ieplūdes un izplūdes atverēm, gaisa izplūdes atveres vietā nepieciešams uzstādīt ventilācijas atveri jumtā.
 - Jumta ventilācijas atvere jāierīko tieši virs ledusskapja aizmugurējās daļas, ja tas ir iespējams. Izmantojiet gaisa kanālu (att. **7** 1, 6. lpp.), ja nepieciešams ierīkot jumta ventilācijas atveri ar nobīdi. Pretējā gadījumā tur uzkrāsies silts.
 - Attālumam starp gaisa ieplūdes un jumta ventilācijas atverēm jābūt vismaz 750 mm RM10.5 modelim un 534 mm RMS10.5 modelim (att. **7**, 6. lpp.).
 - Ja uzstādīts jumta gaisa kondicionētājs, attālumam starp jumta ventilācijas atveri (att. **8** 1, 7. lpp.) un jumta gaisa kondicionētāja gaisa izplūdes atveri (att. **8** 2, 7. lpp.) jābūt vismaz 300 mm.
- Neuzstādiet ledusskapi blakus gaisa ieplūdes un izplūdes atverēm, jo tādā gadījumā ledusskapis darbosies ar zemu efektivitāti un paaugstinātu enerģijas patēriņu.
- Transportlīdzekļa daļas (piemēram, atvērta durvis vai papildus uzstādīts aprīkojums, piemēram, velosipēdu turētājs) ierīces ekspluatācijas laikā nedrīkst aizsegēt gaisa ieplūdes un izplūdes atveres.
- Uzstādiet ledusskapi tā, lai tas būtu aizsargāts no pārmērīga karstuma, jo tas var izraisīt ledusskapja darbību ar zemu efektivitāti un paaugstinātu enerģijas patēriņu.
- Ledusskapi jāuzstāda vietā, kuru neietekmē caurvējš.

4.2 Ledusskapja uzstādīšana pret caurvēju drošā vietā



BRĪDINĀJUMS! Ugunsdrošības apdraudējums!

Lai nodrošinātos pret caurvēju, neizmantojiet uzliesmojošus materiālus, piemēram, silikona hermētiķus, putuplastu vai līdzīgus materiālus.

Ledusskapjus, kas darbojas ar gāzi, dzīvojamās autopiķabēs vai kempingos jāuzstāda vietā, kurā nav caurvēja. Tādā veidā degšanai nepieciešamais gaiss netiek izvadīts no salona, un izplūdes tvaiki nenonāk dzīvojamā zonā.

Starp ledusskapja aizmugurējo paneli un transportlīdzekļa salonu jāuzstāda piemērots blīvējums.

Ražotājs iesaka izmantot elastīgu blīvējumu, lai atvieglotu tā noņemšanu un uzstādīšanu apkopes vajadzībām.

Izvēlieties vienu no trim versijām aizsardzībai pret caurvēju (att. **9**, 8. lpp.).

Barjera aiz ledusskapja (A)

1. Pielīmējiet elastīgu blīvējumu **(1)** pie barjeras **(2)** aiz ledusskapja **(3)**.

2. Piebīdīet ledusskapi pie barjeras ar elastīgo blīvējumu.

✓ Telpa aiz ledusskapja ir izolēta no transportlīdzekļa salona.

Sānu atstarpes starp ledusskapi un mēbelēm nepārsniedz 5 mm (B)

1. Pielīmējiet blīvējumu (skatīt nodaļa "Papildu piederumi", 444. lpp.) mēbeļu sānos (4).

2. Piebīdīet ledusskapi pie blīvējuma, kas uzlīmēts uz mēbelēm.

✓ Telpa aiz ledusskapja ir izolēta no transportlīdzekļa salona.

Sānu atstarpes starp ledusskapi un mēbelēm ir 5-10 mm (C)

1. Pielīmējiet dubulto blīvējumu (skatīt nodaļa "Papildu piederumi", 444. lpp.) mēbeļu sānos (4).

2. Piebīdīet ledusskapi pie dubultā blīvējuma, kas uzlīmēts uz mēbelēm.

✓ Telpa aiz ledusskapja ir izolēta no transportlīdzekļa salona.

4.3 Gaisa ieplūdes un izplūdes atveru ierīkošana



PIEZĪME

- Atkāpēm no šeit norādītājām gaisa ieplūdes un izplūdes versijām nepieciešams ražotāja apstiprinājums.
- Augstā apkārtējās vides temperatūrā ledusskapis var nodrošināt maksimālo dzesēšanas jaudu tikai tad, ja ir nodrošināta optimāla ventilācija.

► Ierīkojiet gaisa ieplūdes un gaisa izplūdes atveres ārējā sienā 451 mm x 156 mm izmērā.

Veicot darbu, ņemiet vērā norādes - skatīt nodaļa "Sagatavošanās uzstādīšanai", 446. lpp..

Ja gaisa ieplūdes atveres ventilācijas režģi nav iespējams uzstādīt vienā līmenī ar padziļinājuma grīdu, ierīkojiet grīdā gaisa ieplūdes atveri. Tādā veidā jebkura noplūdušā gāze var plūst uz leju.

1. Aiz ledusskapja gāzes degļa tuvumā izveidojiet grīdā vismaz Ø 40 mm lielu gaisa ieplūdes atveri (att. **10** 1, 9. lpp.).

2. Pasargājiet atveres ārpusi ar deflektoru, lai braukšanas laikā izvairītos no nosēdumu un netīrumu nokļūšanas iekšpusē (att. **10** 2, 9. lpp.).

Ja gaisa izplūdes atveres vietā nepieciešams izmantot jumta ventilācijas atveri, ievērojiet tālākās norādes.

- ▶ Izgrieziet atveri jumtā. Nepieciešamos izmērus skatiet jumta ventilācijas atveres lietošanas rokasgrāmatā.
Veicot darbu, ņemiet vērā norādes nodaļa "Sagatavošanās uzstādīšanai", 446. lpp..

4.4 Ventilācijas režģa uzstādīšana



PIEZĪME

Drošas ekspluatācijas garantēšanai izmantojiet tikai oriģinālos Dometic ventilācijas režģus.

Nr. att. 11 , 9. lpp.	Apraksts
1	Montāžas rāmis
2	Ventilācijas režģis
3	Slidnis
4	Ventilācijas režģa ziemas pārsegs (papildpiederums)
5	Kondensāta drenāžas šļūtenes adapteris

1. Veiciet blīvēšanu ap montāžas rāmi, lai savienojums būtu ūdensizturīgs (att. **12**, 9. lpp.).
2. Ievietojiet montāžas rāmi un stingri to pieskrūvējiet (att. **13**, 9. lpp.). Šim nolūkam izmantojiet visus stiprināšanas caurumus.
3. Uzstādiet šļūtenes adapteri saskaņā ar norādēm (att. **14** 1, 10. lpp.).
4. Ievietojiet ventilācijas režģi saskaņā ar norādēm (att. **15**, 10. lpp.).

4.5 Kondensāta drenāžas uzstādīšana



PIEZĪME

- Kondensāts ledusskapja iekšpusē var rasties biežas durvju atvēršanas, nepareizas ēdiena uzglabāšanas vai pārāk silta ēdiena uzglabāšanas dēļ.
- Kondensāts jānovada ar nemainīgu slīpumu.

Uzstādiet kondensāta drenāžu, ievērojot tālākās norādes.

- ▶ Pievienojiet kondensāta šļūteni tieši pie ventilācijas režģa adaptera (att. **14** 2, 10. lpp.).

4.6 Jumta ventilācijas atveres uzstādīšana

Nr. att. 16 , 10. lpp.	Apraksts
1	Vāks
2	Montāžas rāmis

1. Veiciet blīvēšanu ap montāžas rāmi, lai savienojums būtu ūdensizturīgs (att. **17**, 10. lpp.).
2. Ievietojiet montāžas rāmi un stingri to pieskrūvējiet (att. **18**, 11. lpp.). Šim nolūkam izmantojiet visus stiprināšanas caurumus.
3. Uzlieciet vāku un stingri to pieskrūvējiet (att. **19**, 11. lpp.).

4.7 Ledusskapja nostiprināšana



ESIET PIESARDZĪGI!

Skrūvējiet tikai tam paredzētājās vietās, pretējā gadījumā pastāv iespēja bojāt izolētās detaļas, piemēram, vadus.



PIEZĪME

Nostipriniet sānus vai pievienotās sloksnes tā, lai skrūves būtu pievilktas cieši arī palielinātās slodzes apstākļos (braucot).

1. Novietojiet ledusskapi tam paredzētajā atrašanās vietā.
2. Nostipriniet sienā skrūves (att. **20** 1, 11. lpp.) caur plastmasas cilindriem ledusskapja sānos.
3. Uzlieciet vāciņus (att. **20** 2, 11. lpp.) uz skrūvju galvām.

5 Ledusskapja pievienošana

5.1 Pievienošana gāzes padevei



BRĪDINĀJUMS! Šo brīdinājumu neievērošana var izraisīt nāvējošas vai smagas traumas. Apdraudējums veselībai

- Ledusskapja pievienošanu gāzes avotam drīkst veikt tikai speciālists saskaņā ar valstī spēkā esošajām vadlīnijām un standartiem.
- **Aizliegts** izmantot šļūtenes savienojumu.
- Izmantojiet vītņu savienojumu ar metāla blīvējumu.
- Nenoņemiet gāzes filtru (balts) ledusskapja gāzes savienojumā.
- Izmantojiet tikai propāna vai butāna gāzes balonus (nevis dabasgāzi vai pilsētas gāzes pieslēgumu) ar atbilstošu spiediena samazināšanas vārstu un piemērotu uzgali. Pārliecinieties, ka uz marķējuma plāksnītes norādītā spiediena informācija atbilst spiediena informācijai uz propāna vai butāna gāzes balona spiediena regulatora.
- Darbiniet ledusskapi **tikai** ar tādu spiedienu, kāds norādīts uz marķējuma plāksnītes.
- Darbiniet ledusskapi **tikai** ar tādu gāzes veidu, kāds norādīts uz marķējuma plāksnītes.
- Ievērojiet spiedienu saskaņā ar valstī noteiktajiem standartiem. Izmantojiet tikai valsts regulām atbilstīgus spiediena regulatorus ar fiksētu regulējumu.



PIEZĪME

Pēc izvēles iespējams izmantot Dometic elastīgo gāzes savienojuma cauruli, lai savienojuma vietā izvairītos no mehāniskā sprieguma.

Nodrošiniet, ka ledusskapi iespējams atslēgt no gāzes padeves ar atsevišķu atslēgšanas ierīci. Nodrošiniet, lai atslēgšanas ierīcei varētu viegli piekļūt.

1. Ar roku droši pievienojiet ledusskapi gāzes padevei (att. **21**, 11. lpp.).



BRĪDINĀJUMS! Sprādzienbīstamība

Ir ļoti svarīgi ievērot tālāk norādītos pievilšanas griezes momentus.

Elements att. 21, 11. lpp.	Apraksts
1	M4 skrūve (Torx TX20) Pievilkšanas griezes moments: 2 Nm
2	Ledusskapja gāzes savienojums: M14 x 1,5 (d = 8 mm/ISO 8434 (DIN 2353))
3	Gāzes caurule ar gredzena savienojumu (17. izmērs) Pievilkšanas griezes moments: 25 Nm

2. Pēc profesionālas uzstādīšanas ļaujiet pilnvarotam speciālistam veikt noplūdes pārbaudi un liesmas pārbaudi.
Pārliecinieties, ka jums tiek izdots pārbaudes sertifikāts, kas jāizsniedz glabāšanā gala lietotājam.

5.2 Līdzstrāvas un maiņstrāvas pieslēgums



BRĪDINĀJUMS! Šo brīdinājumu neievērošana var izraisīt nāvējošas vai smagas traumas. Nāvējoša elektrošoka risks

Elektroinstalāciju atļauts uzstādīt un labot tikai kvalificētam speciālistam saskaņā ar spēkā esošajiem noteikumiem un standartiem.



PIEZĪME

- Ierīces kontaktdakša nedrīkst atrasties tieši aiz ventilācijas režģa, lai novērstu gaisa cirkulācijas traucējumus un pasargātu ierīces kontaktdakšu no ūdens šļakatām.
- Ierīces līdzstrāvas savienojuma vada kontaktdakšu nedrīkst nogriezt.
- Savienojuma vadi jāizvieto tā, ka tie nesaskaras ar karstām iekārtas daļām, degļiem vai asām malām.
- Izmaiņas elektroinstalācijā vai citu elektrisko komponentu pievienošana (piemēram, papildu ventilatori) ledusskapja iekšējam vadojumam anulēs jebkādas garantijas prasības vai produktatbildību.
- Ledusskapjiem RM10.5 un RMS10.5 ir CI kopnes interfeiss, un tos var vadīt ar saderīgu transportlīdzekļa centrālo displeju.

Ledusskapja slēguma shēma (att. 22, 12. lpp.)

Elements att. 22, 12. lpp.	Apraksts
1	Ventilators 1 (ja pieejams aprīkojuma modulis)
2	Aprīkojuma modulis (izvēles aprīkojums)
3	Līdzstrāvas cepeškrāsns (ja pieejams aprīkojuma modulis)
4	Līdzstrāvas barošanas modulis
5	NTC 2: āra temperatūra (izvēles aprīkojums)
6	NTC 1: svaigās pārtikas temperatūras sensors
7	Gāzes vārsts
8	Apgaismojums
9	Herkona slēdzis
10	S+ (izvēles aprīkojums)
11	Līdzstrāvas sildelements
12	15 A drošinātājs
13	Apsildes kārtidža līdzstrāvas relejs
14	Gāzes ieklūde
15	Līdzstrāvas savienojuma bloks
16	Līdzstrāvas barošanas vads, elektronika
17	Līdzstrāvas barošanas vads, sildelements
18	CI-Bus savienojums
19	AC kopnes barošanas avots
20	Maiņstrāvas sildelements
21	Zemējums
22	Maiņstrāvas aizsardzība, zemējums
23	Aizdedzes elektrods
24	Barošanas modulis
25	Displeja modulis

Līdzstrāvas barošana



BRĪDINĀJUMS! Ugunsdrošības apdraudējums

- Elektrolīnija uz sildelementu jāaprīko ar 15 A drošinātāju.
- Elektrolīnija uz elektroniku jāaprīko ar 2 A drošinātāju.



NEMIET VĒRĀ!

Elektronikas (att. **22** 16, 12. lpp.) un sildelementa (att. **22** 17, 12. lpp.) attiecīgās pozitīvās un negatīvās elektrolīnijas **nedrīkst** vienu ar otru savienot. Tas var izraisīt elektriskus traucējumus un elektrisko komponentu bojājumus.

Ņemiet vērā tālāk norādītos vadu izmērus (att. **23**, 14. lpp.).

- Sildelementa savienojumi:
 - <6 m (salonā): $\geq 6 \text{ mm}^2$
 - >6 m (salonā): $\geq 10 \text{ mm}^2$
 - Vads, kas izvilktas caur jūgstieni (tikai dzīvojamajiem treileriem): $\geq 2,5 \text{ mm}^2$
 - Elektronikas savienojumi: $\geq 0,75 \text{ mm}^2$
 - D+ un S+ savienojumi: $\geq 0,75 \text{ mm}^2$
- Samontējiet līdzstrāvas kontaktligzdu, ņemot vērā tālākās norādes (att. **22**, 12. lpp.).
 - Pievienojiet **A** un **C** akumulatora pozitīvajam polam.
 - Pievienojiet **D** un **F** zemējumam.
 - Pievienojiet **B** D+ signālam.
Ledusskapja elektronika izmanto ģenerators D+ signālu, lai noteiktu, kad dzinējs ir iedarbināts. Automātiskajā režīmā ledusskapis izvēlas visatbilstošāko pieejamo režīmu. Ledusskapis darbojas tikai ar līdzstrāvu, kad transportlīdzekļa dzinējs ir iedarbināts.
 - Savienojiet **E** ar CI-BUS.
 - Savienojiet **10** ar S+ signālu (izvēles aprīkojums).
 - Aprīkojiet **A** elektrolīniju ar 2 A drošinātāju transportlīdzekļa barošanas sadales kārbā.
 - Aprīkojiet **C** elektrolīniju ar 15 A drošinātāju transportlīdzekļa barošanas sadales kārbā.
 - Aprīkojiet **C** elektrolīniju ar aizdedzes vadītu releju.
Tādā veidā iespējams novērst pilnīgu akumulatora izlādi, ja dzinējs netišām tiek izslēgts.

Maiņstrāvas barošana

- Pievienojiet ledusskapi maiņstrāvas kontaktligzdai, izmantojot ierīces kontaktdakšu.

6 Atkritumu pārstrāde

Produktu pārstrāde, kuri satur iebūvētus akumulatorus, atkārtoti uzlādējamus akumulatorus vai gaismas avotus



- Ja produktam ir iebūvēts akumulators, atkārtoti uzlādējams akumulators vai gaismas avots, to pirms utilizācijas nav nepieciešams demontēt.
- Ja vēlaties utilizēt nolietoto produktu, sazinieties ar vietējo atkritumu šķirošanas centru vai specializēto izplatītāju, lai noskaidrotu, kā to pareizi izdarīt saskaņā ar spēkā esošajiem atkritumu apsaimniekošanas noteikumiem.
- Produktu iespējams utilizēt bez maksas.




Iepakojuma materiālu pārstrāde



- Ja iespējams, iepakojuma materiālus izmetiet atbilstošos atkritumu šķirošanas konteineros.

7 Tehniskie dati

	RM10.5(S)(T)	RMS10.5(S)(T)	RMS10.5X(S)(T)
Pieslēguma spriegums:	230 V~ /50 Hz 12 Vg		
Ietilpība			
Bruto ietilpība:	88 l	78 l	92 l
Ledusskapja nodalījums:	78,7 l	69,1 l	80,3 l
Saldēšanas nodalījums:	9,2 l	9,2 l	12,1 l
Kopējā neto ietilpība:	86 l	76 l	90 l
Neskaitot saldēšanas nodalījumu			
Bruto ietilpība:	93 l	83 l	98 l
Neto ietilpība:	91 l	81 l	96 l
Jauda:	135 W (230 V~) 130 W (12 Vg)		
Enerģijas patēriņš:	2,8 kWh/24 h (230 V~)	2,5 kWh/24 h (230 V~)	3,2 kWh/24 h (230 V~)

	RM10.5(S)(T)	RMS10.5(S)(T)	RMS10.5X(S)(T)
Gāzes patēriņš:	270 g/24 h		
Gāzes savienojuma spiediens:	30 mbar		
Klimata klase:	SN		
Izmēri (augst. x plat. x dziļ.):	821 x 523 x 548 mm		821 x 523 x 603 mm
Svars:	28 kg	27,4 kg	29 kg
Pārbaude/sertifikācija:	  		

Aktuālo ES atbilstības deklarāciju savai ierīcei skatiet attiecīgā produkta lapā vietnē dometic.com vai sazinieties tieši ar ražotāju (skatiet dometic.com/dealer).

Plašāku informāciju var iegūt, nolasot kvadrātkodu (QR) uz produkta enerģijas marķējuma uzlīmes, vai vietnē eprel.ec.europa.eu.



dometic.com

**YOUR LOCAL
DEALER**

dometic.com/dealer

**YOUR LOCAL
SUPPORT**

dometic.com/contact

**YOUR LOCAL
SALES OFFICE**

dometic.com/sales-offices