

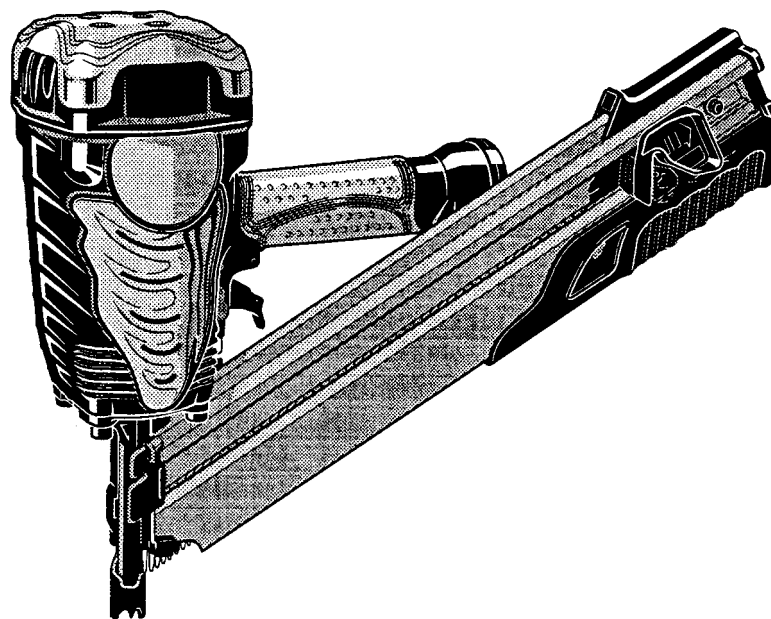
MODEL

NR 90AD

Hitachi
Power Tools

STRIP NAILER
NR 90AD

TECHNICAL DATA
AND
SERVICE MANUAL



LIST No. E016

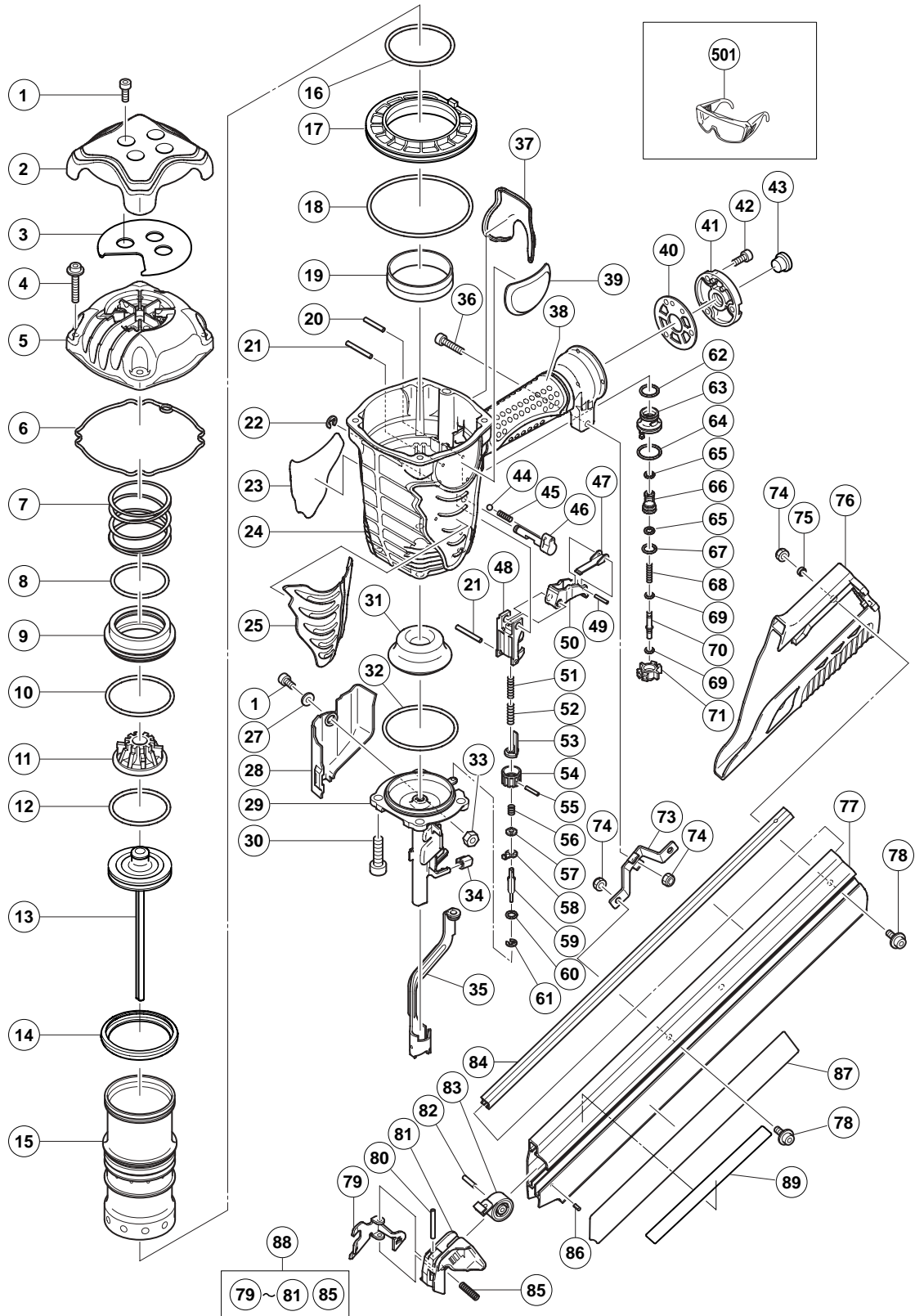
Jun. 2004

N

PNEUMATIC TOOL PARTS LIST

STRIP NAILER
Model NR 90AD

2004 • 6 • 15
(E1)



PARTS

NR 90AD

ITEM NO.	CODE NO.	DESCRIPTION	NO. USED	REMARKS
1	949-665	HEX. SOCKET HD. BOLT M5X14 (10 PCS.)	5	
2	884-952	HEAD GUARD	1	
3	884-986	SHEET	1	
4	878-877	HEX. SOCKET HD. BOLT (W/FLANGE) M6X30	4	
5	884-951	EXHAUST COVER	1	
6	884-953	GASKET (A)	1	
7	884-949	HEAD VALVE SPRING	1	
8	884-947	O-RING (I.D 49.4)	1	
9	884-946	HEAD VALVE	1	
10	884-948	O-RING (I.D 59.4)	1	
11	884-950	EXHAUST VALVE RUBBER	1	
12	884-958	PISTON O-RING	1	
13	884-957	PISTON	1	
14	884-945	VALVE RUBBER	1	
15	884-941	CYLINDER	1	
16	884-942	O-RING (I.D 59.6)	1	
17	884-944	CYLINDER PLATE	1	
18	884-943	O-RING (I.D 94.6)	1	
19	877-317	CYLINDER RING	1	
20	949-539	ROLL PIN D3X25 (10 PCS.)	1	
21	884-975	ROLL PIN D3X32	2	
22	955-479	RETAINING RING (E-TYPE) FOR D6 SHAFT	1	
23		NAME PLATE	1	
24	884-940	BODY ASS'Y	1	INCLUD. 37, 38
25	884-956	PROTECTOR	1	
27	876-205	WASHER	1	
28	884-976	PUSHING LEVER COVER (A)	1	
29	884-961	NOSE	1	
30	306-437	NYLOCK HEX. SOCKET HD. BOLT M8X30	4	
31	884-959	PISTON BUMPER	1	
32	884-960	O-RING (S-63)	1	
33	877-371	NYLON NUT M5	1	
34	884-985	NOSE RUBBER	2	
35	884-970	PUSHING LEVER (A)	1	
36	949-670	HEX. SOCKET HD. BOLT M6X22 (10 PCS.)	1	
37	884-987	GRIP RUBBER (B)	1	
38		GRIP RUBBER (A)	1	SUPPLIED WITH ITEM NO. 601, 602
39		HITACHI LABEL	1	
40	883-678	GASKET (B)	1	
41	884-954	CAP	1	
42	949-821	HEX. SOCKET HD. BOLT M5X16 (10 PCS.)	3	
43	872-035	DUST CAP	1	
44	959-155	STEEL BALL D3.97 (10 PCS.)	1	
45	982-454	SPRING (C)	1	
46	884-968	CHANGE KNOB (C)	1	
47	884-988	TRIGGER ARM (C)	1	
48	884-969	PUSHING LEVER GUIDE	1	
49	881-951	ROLL PIN D2.5X16	1	
50	884-967	TRIGGER (C)	1	INCLUD. 47, 49
51	883-302	PUSHING LEVER SPRING (B)	1	
52	883-305	PUSHING LEVER SPRING (A)	1	

PARTS

NR 90AD

ITEM NO.	CODE NO.	DESCRIPTION	NO. USED	REMARKS	
53	884-972	PUSHING LEVER (C)	1		
54	884-974	ADJUSTER	1		
55	880-093	ROLL PIN D2X16	1		
56	882-890	ADJUSTER SPRING	1		
57	884-973	ADJUSTER PLATE (C)	1		
58	882-886	ADJUSTER PLATE (A)	1		
59	884-971	PUSHING LEVER (B)	1		
60	872-822	O-RING (S-5)	1		
61	872-971	RETAINING RING (E-TYPE) FOR D3 SHAFT	1		
62	877-763	FEED PISTON O-RING (I.D.14)	1		
63	884-963	VALVE BUSHING (B)	1		
64	873-570	O-RING (P-18)	1		
65	676-531	O-RING (P-7)	2		
66	884-964	VALVE PISTON	1		
67	872-654	O-RING (1AP-10)	1		
68	884-966	PLUNGER SPRING	1		
69	878-888	O-RING (I.D 1.8)	2		
70	884-965	PLUNGER	1		
71	884-962	VALVE BUSHING (A)	1		
73	884-984	HANDLE ARM	1		
74	963-837	NYLON NUT M6	4		
75	883-499	SLEEVE	1		
76	884-979	MAGAZINE COVER	1		
77	884-977	MAGAZINE	1		
78	984-443	HEX. SOCKET HD. BOLT (W/FLANGE) M6X12	3		
79	884-981	NAIL FEEDER (A)	1		
80	949-682	ROLL PIN D4X32 (10 PCS.)	1		
81	884-982	NAIL FEEDER (B)	1		
82	943-364	NEEDLE ROLLER D4X20	1		
83	883-503	RIBBON SPRING	1		
84	884-978	NAIL RAIL	1		
85	884-983	FEEDER SPRING	1		
86	949-749	ROLL PIN D3X8 (10 PCS.)	1		
87	884-955	LABEL (B)	1		
88	884-980	NAIL FEEDER ASS'Y	1	INCLUD. 79-81, 85	
89		LABEL (C)	1		

STANDARD ACCESSORIES

NR 90AD

ITEM NO.	CODE NO.	DESCRIPTION	NO. USED	REMARKS
501	875-769	SAFETY GLASSES	1	

OPTIONAL ACCESSORIES

ITEM NO.	CODE NO.	DESCRIPTION	NO. USED	REMARKS
601	881-768	GRIP TAPE (A)	1	
602	880-407	TAPE	1	