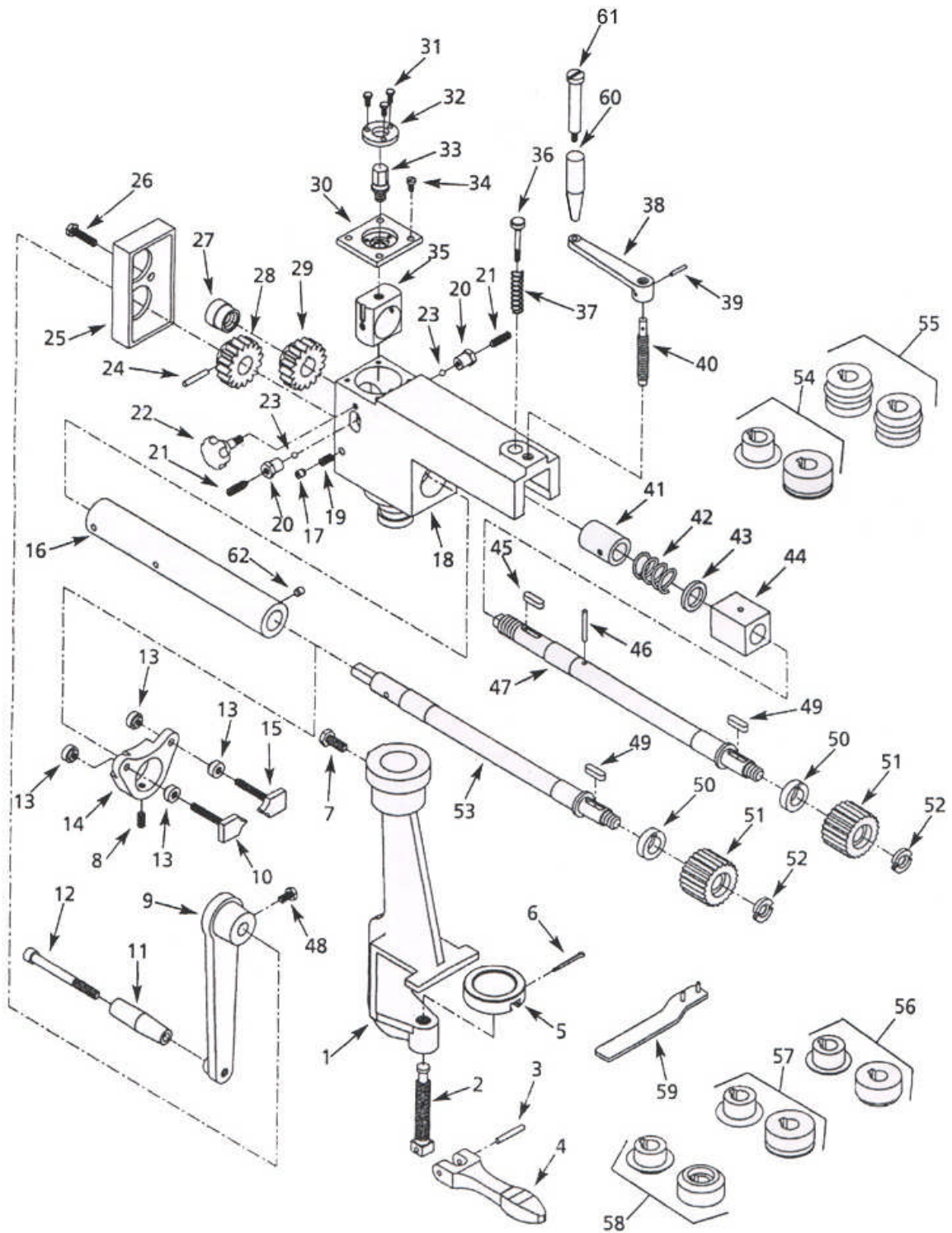




XWS031 SIKKIKONE MAX 0,8MM KITA MAX 177MM / ROTARY MACHINE
2010

Varaosatunnus / Spare part code XWSV **esim. / e.g.** XWSV031-12 **(-12=pos.no.)**

ASSEMBLY DRAWING



PARTS LIST

Part#	Description	Qty	Part#	Description	Qty
1	Base	1	32	Round plate	1
2	Clamp bolt	1	33	Adjusting bolt	1
3	6 x 45mm Dowel pin	1	34	6-1.0 x 14mm Pan head screw	4
4	Clamp handle	1	35	Adjusting block	1
5	Clamp head	1	36	Thumb screw	1
6	3 x 36mm Cotter pin	1	37	Spring	1
7	10-1.5 x 25mm Dog point bolt	1	38	Adjusting handle	1
8	8-1.25 x 15mm set screw	1	39	1/8 x 7/8" Dowel pin	1
9	Crank arm	1	40	Adjusting screw	1
10	Stop gauge (left)	1	41	Sleeve	1
11	Handle	1	42	Spring	1
12	Handle bolt	1	43	Collar	1
13	Thumb nut	4	44	Adjusting block	1
14	Stop plate	1	45	6 x 20mm Key	1
15	Stop gauge (right)	2	46	5 x 32mm Dowel pin	1
16	Shaft sleeve	1	47	Driven shaft	1
17	Oil port	1	48	8-1.25 x 20mm Hex head bolt	1
18	Body	1	49	6 x 6 x 25mm Key	2
19	Set screw	1	50	Spacer	4
20	Lock nut	2	51	Crimping roll dies (Set of 2)	1
21	Set screw	2	52	Retaining nut	2
22	Knob	1	53	Driving shaft	1
23	6mm Steel ball	2	54	Small turning roll dies (Set of 2)	1
24	5 x 35mm Dowel pin	1	55	Ogee bead roll dies (Set of 2)	1
25	Cover	1	56	Burring roll dies (Set of 2)	1
26	8-1.25 x 35mm Hex head bolt	2	57	Large turning roll dies (Set of 2)	1
27	Adjusting nut	1	58	Wiring roll dies (Set of 2)	1
28	Driving gear	1	59	Wrench	1
29	Driven gear	1	60	Handle	1
30	Square plate	1	61	Handle bolt	1
31	5-0.8 x 8mm Pan head screw	3	62	Oil port	1