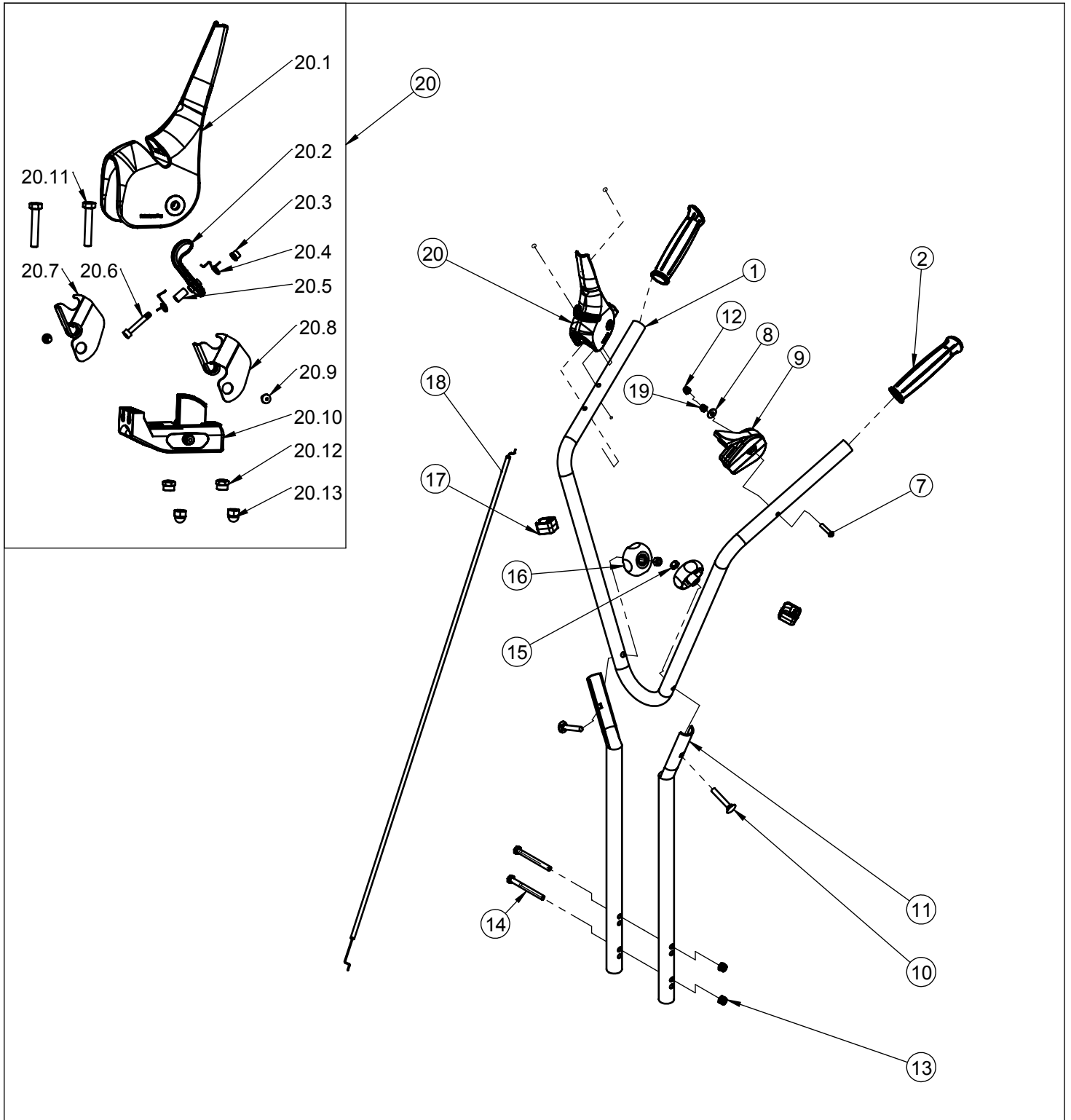


Illustration A

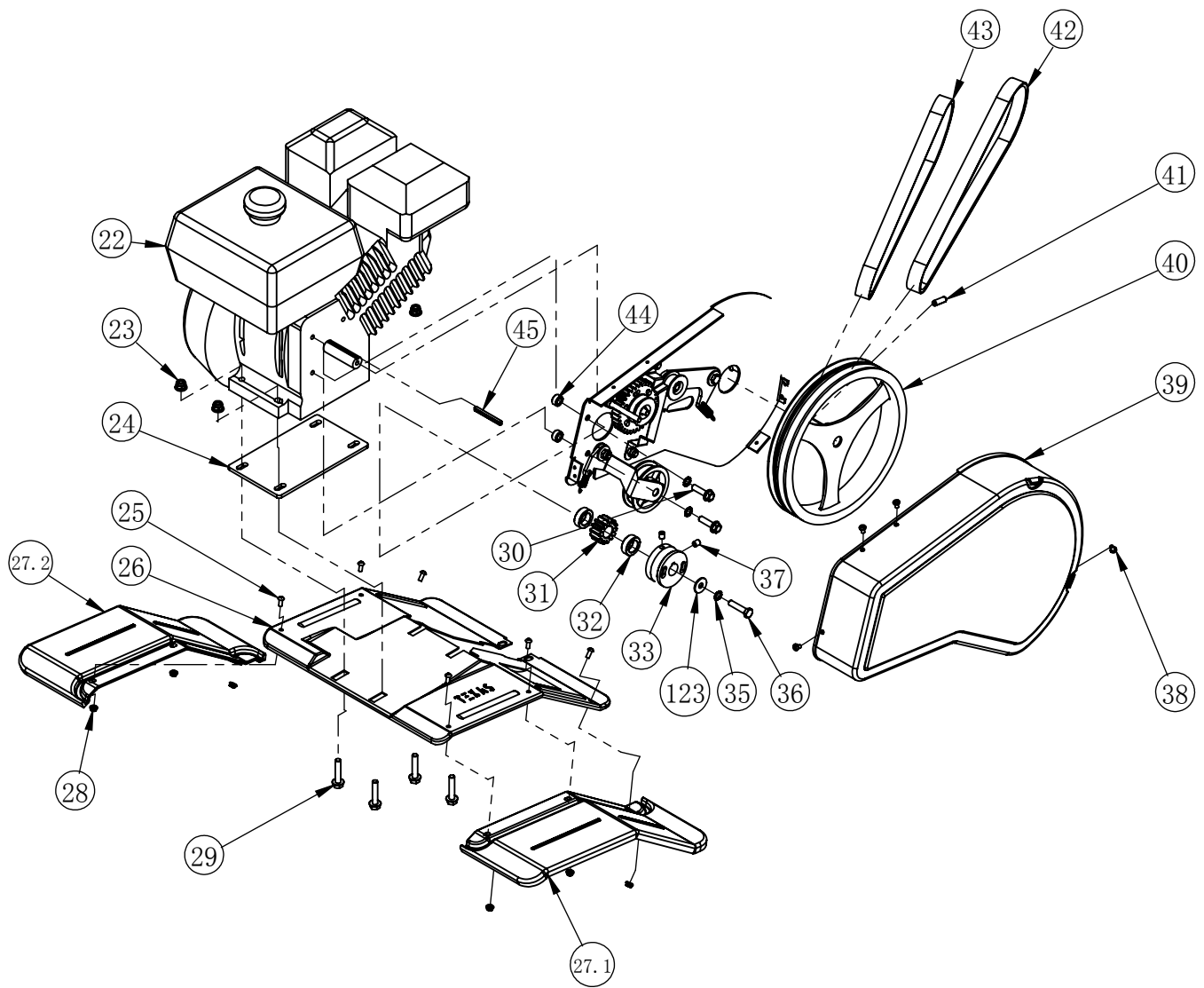
Handlebar



QM8403

illustration B

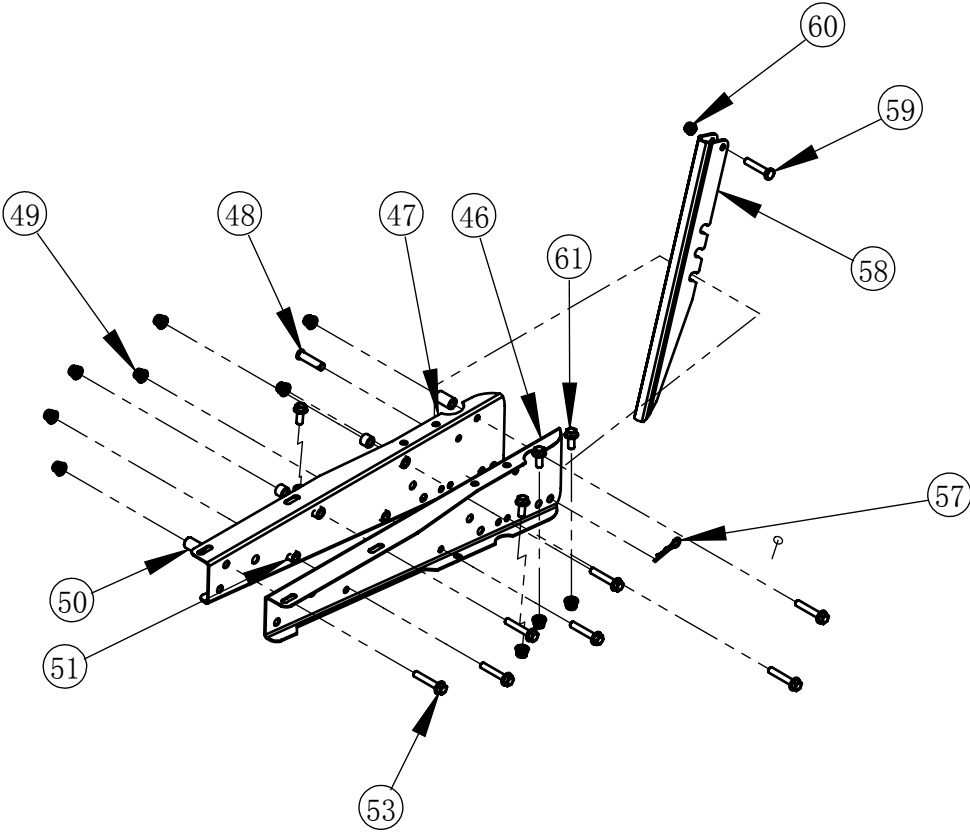
V-belt wheel



QM8403/8413/8422

Illustration C

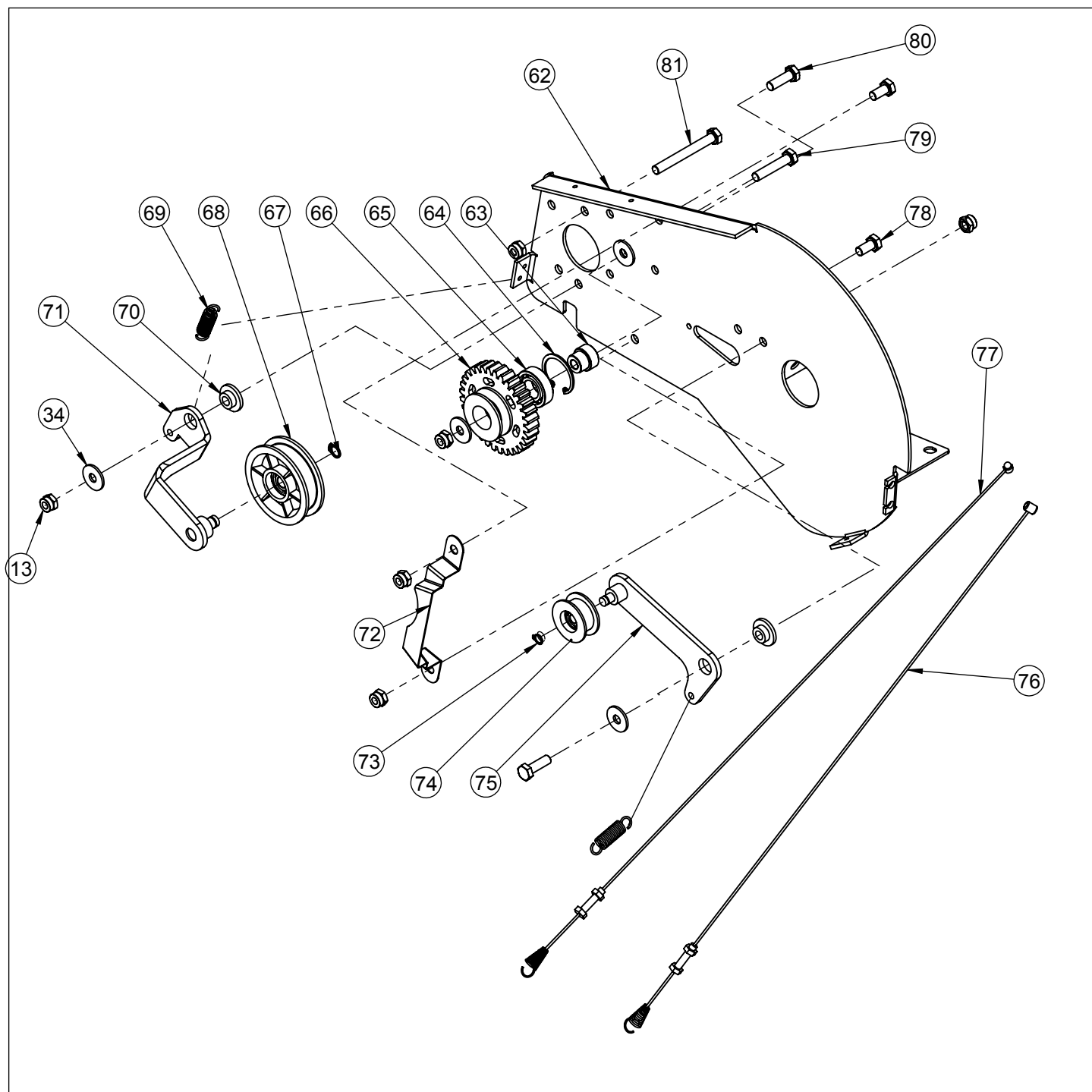
Supports



QM8403/8413/8422

Illustration D

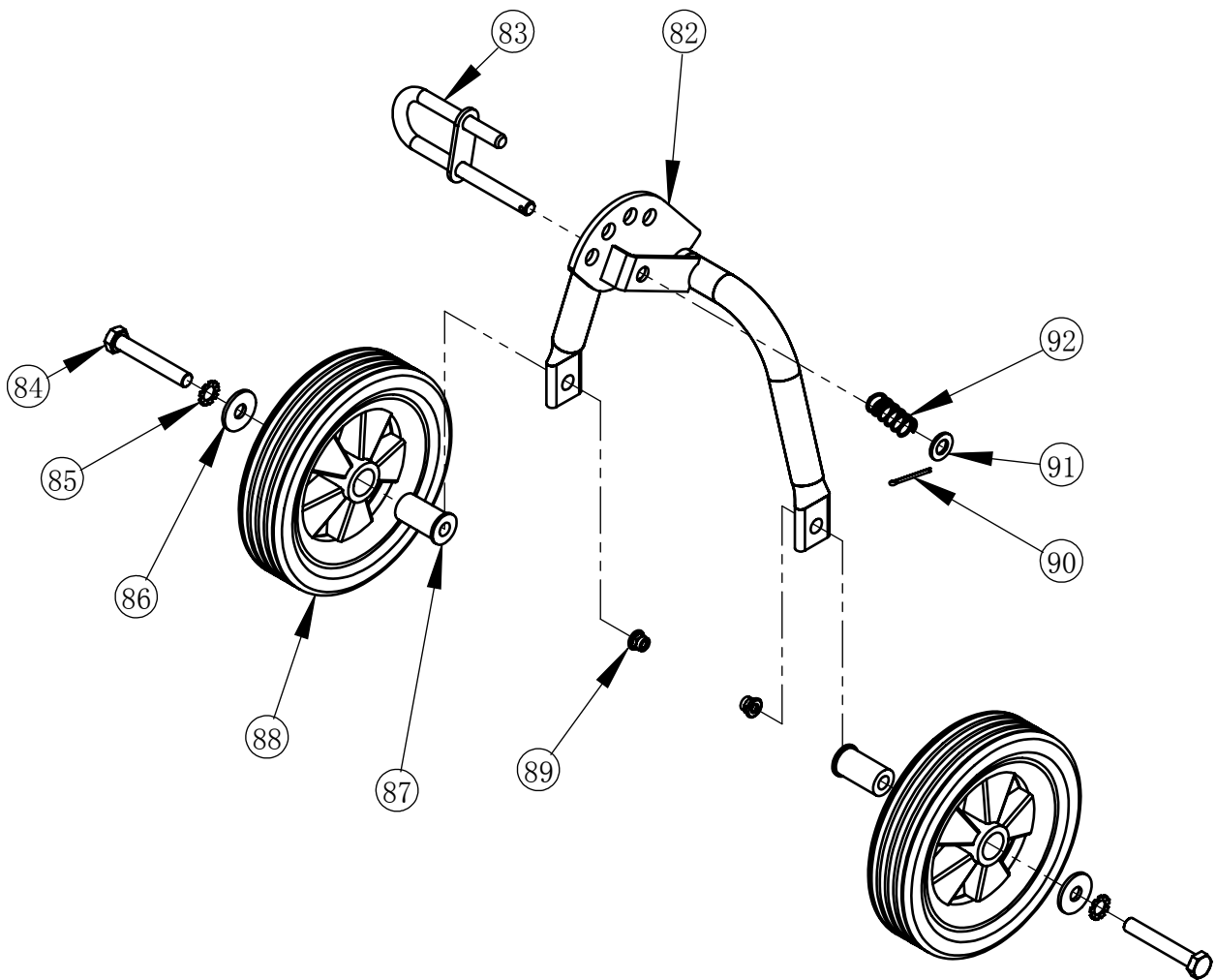
v-belt plate



QM8403/8413/8422

Illustration E

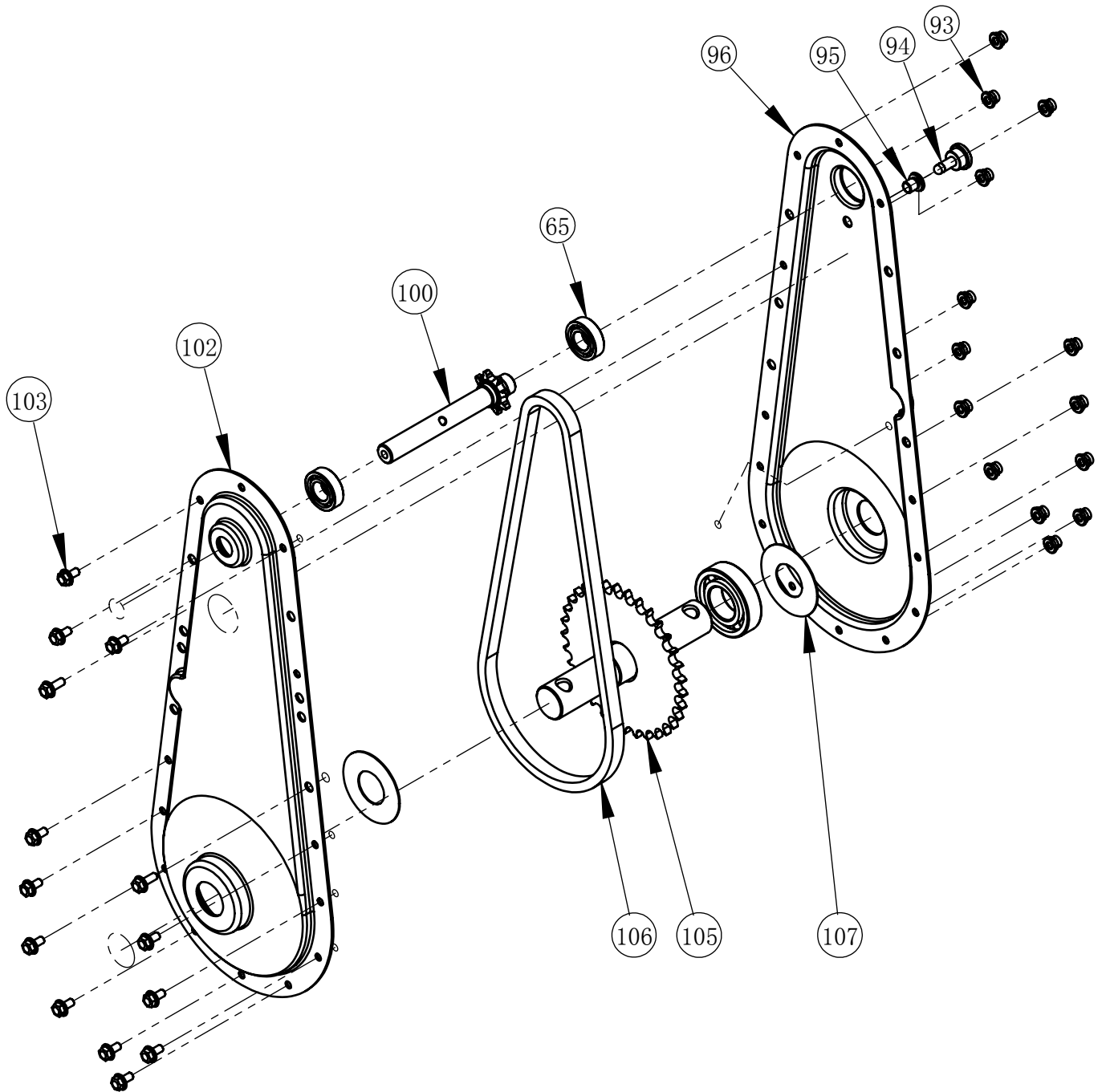
Support wheel



QM8403/8413/8422

Illustration F

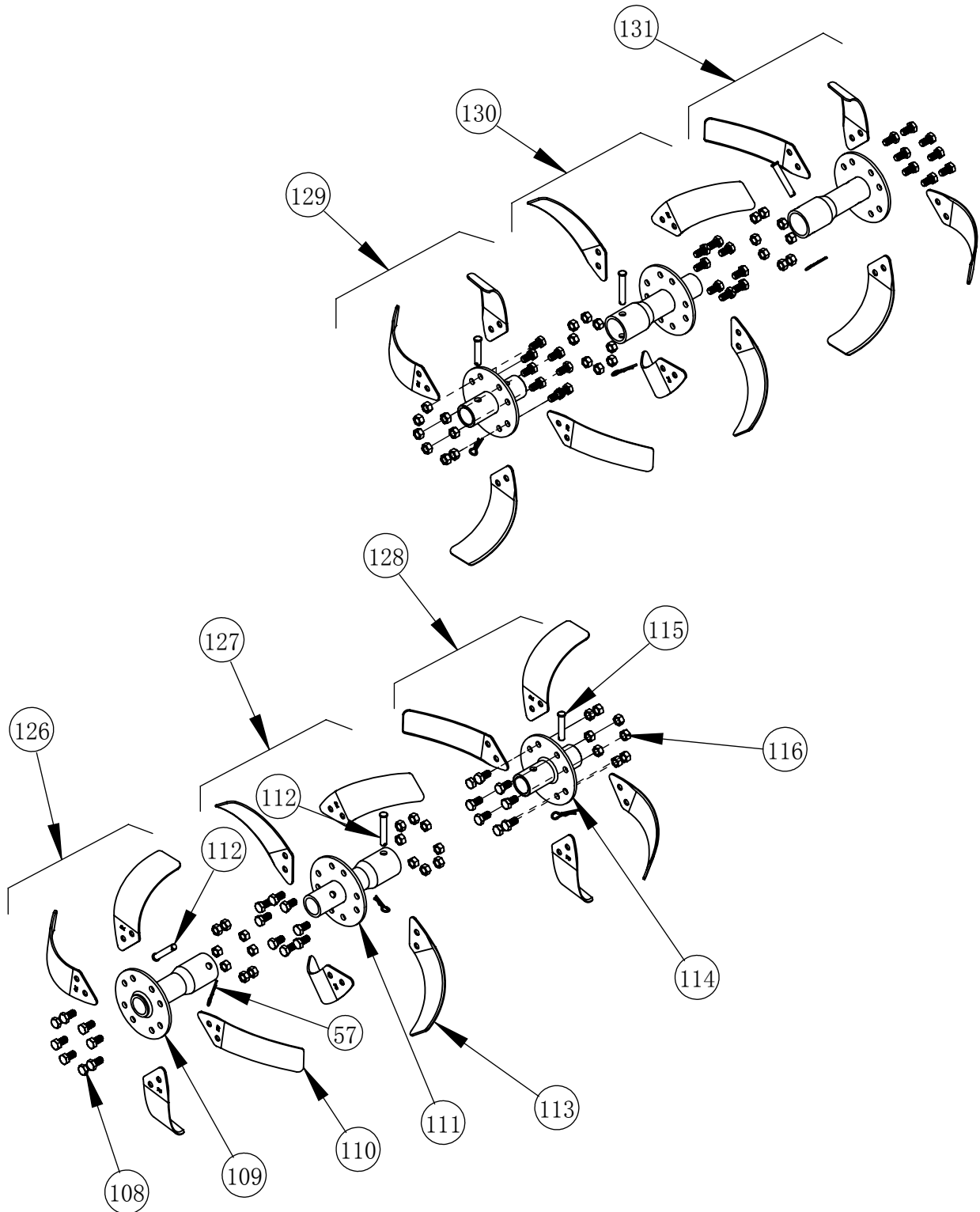
Chain box



QM8403/8413/8422

Illustration G

Knives



QM8403/8413/8422