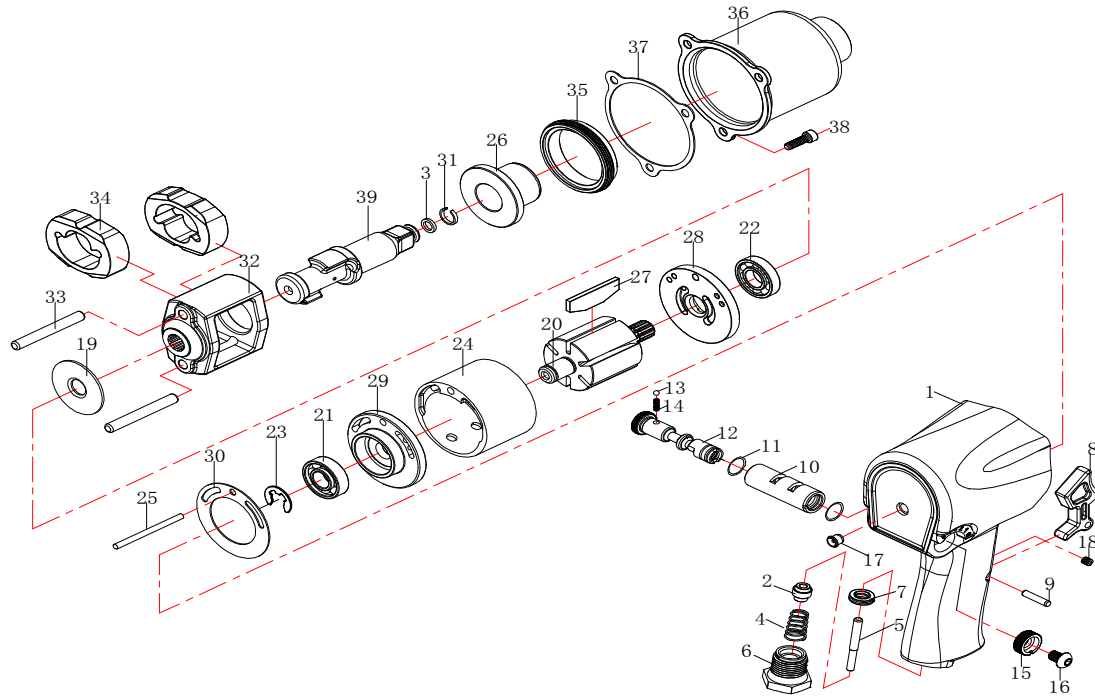


HY-1160A 1/2" Air Impact Wrench



NO.	PART NO.	ASSY NO.	DESCRIPTION	Q'TY	NO.	PART NO.	ASSY NO.	DESCRIPTION	Q'TY
*1	1160-01A-AA	A	Housing	1	29	1260-22-A		Rear End Plate	1
2	1160-02-A		Valve Sleeve	1	30	1260-19-A		Gasket	1
3	160-17-A		O-Ring	1	31	160-16-A		Anvil Collar	1
4	1160-04-A		Spring	1	32	1060-37-A		Hammer Cage	1
5	1160-05-A		Valve Stem	1	33	1060-39-A		Hammer Pin	2
6	1160-06-B		Air Inlet Bushing	1	34	1060-38-A		Hammer	2
7	460-04-A		Oil Seal	1	35	1160-35-A		Hammer Case Pilot	1
8	1160-08-A		Trigger	1	36	1160-36A-AA		Protector Cover	1
9	1160-09-A		Spring Pin	1	37	1160-37-A		Gasket	1
*10	1260-14-A	A	Reverse Valve Bushing	1	38	1260-41-A		Screw	3
11	1260-13-A		O-Ring	2	39	1060-40B-AA		Standard Anvil	1
12	1260-15-A		Reverse Valve	1	NS-A	A1160-01		Housing Assy A	1
13	151-28-A		Steel Ball	1					
14	1260-17-A		Spring	1					
15	1260-03-A		Reverse Valve Knob	1					
16	1260-02-A		Screw	1					
*17	760-40-A	A	Grease Fitting	1					
18	160-40-A		Bolt	1					
19	2060-41-A		Washer	1					
20	1260-24-A		Rotor	1					
21	160-23-A		Bearing	1					
22	1163-22-A		Front Rotor Bearing	1					
23	1260-20-A		Bead Flange	1					
24	1260-23-A		Cylinder	1					
25	1260-18-A		Cylinder Dowel	1					
26	1260-36-A		Anvil Bushing	1					
27	1260-25-A		Rotor Blade	6					
28	1260-26-A		Front End Plate	1					

The parts with " * " mark can not be ordered individually and need to be ordered based on the assembly number.

20110107