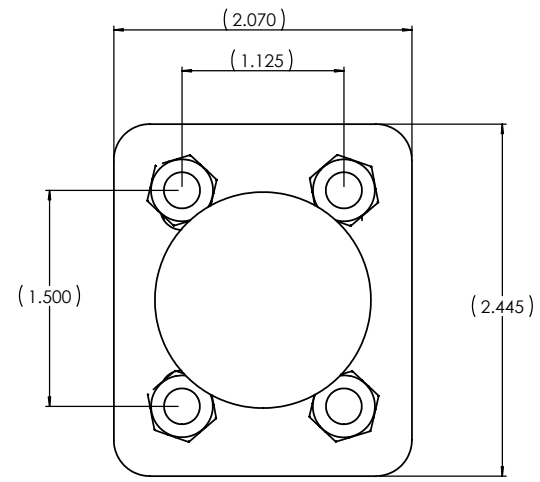
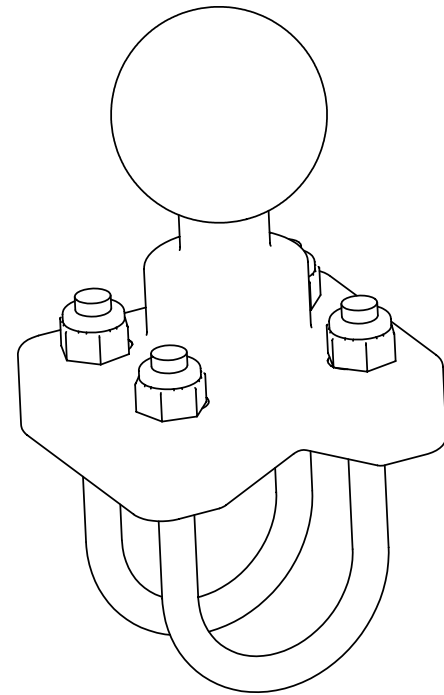
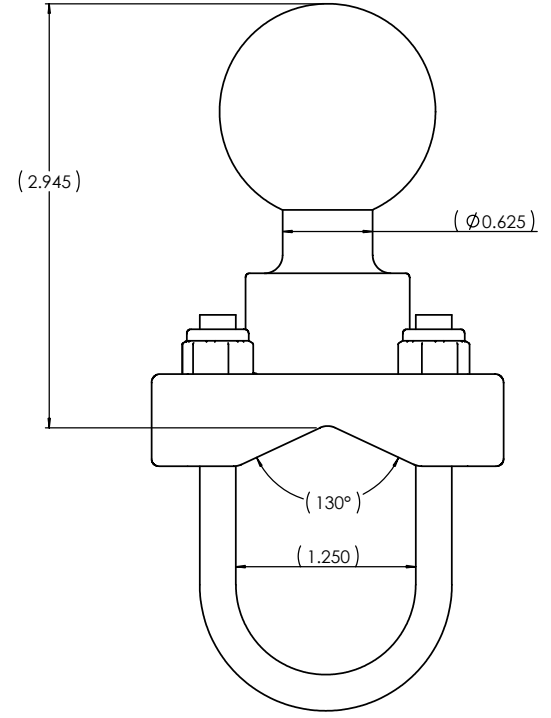
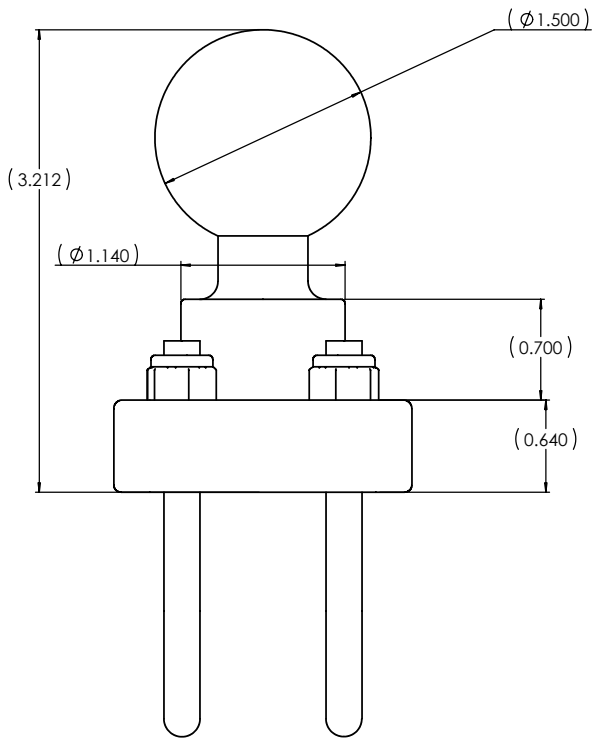


THE INFORMATION CONTAINED IN THIS DRAWING IS THE SOLE PROPERTY OF NATIONAL PRODUCTS INC. ANY REPRODUCTION IN PART OR WHOLE WITHOUT THE WRITTEN PERMISSION OF NATIONAL PRODUCTS INC. IS PROHIBITED.

REV.		DESCRIPTION	DATE	APPROVED



UNLESS OTHERWISE SPECIFIED DIMENSIONS ARE IN INCHES		CAD GENERATED DRAWING. DO NOT MANUALLY UPDATE		NATIONAL PRODUCTS INC.	
TOLERANCES ARE:		APPROVALS	DATE		
FRACIONS	DIGITALS	JDC	04/20/01		
± 1/32	.XXX ± .06	CHECKED	04/20/01	RAM DBL. U-BOLT BASE WITH 1.5" DIA. RUBBER BALL	
± .0005	± .030	CMR			
MATERIAL		RESP ENG			
ALUMINUM					
FINISH		MFG ENG		SIZE	
BLACK POWDER COAT				C	RAM-235
DO NOT SCALE DRAWING		QUAL ENG		SCALE 1 TO 1	CAD FILE: RAM235
					SHEET 1 OF 1