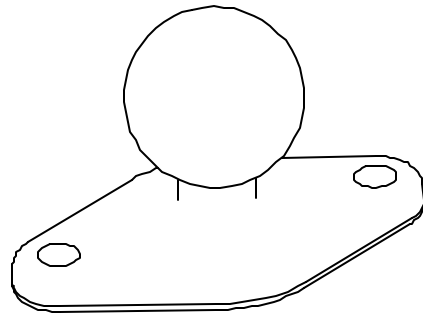
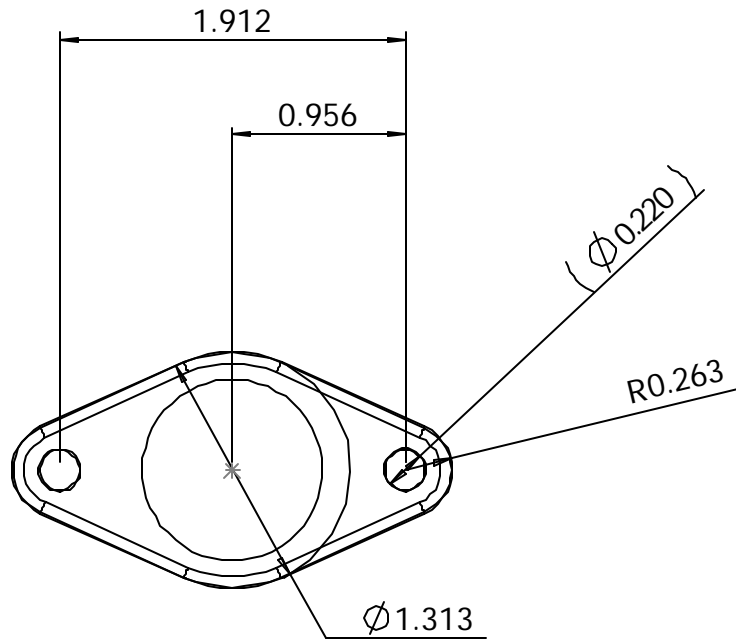
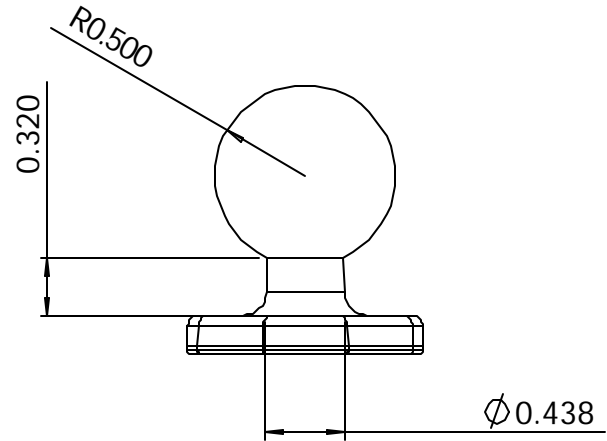
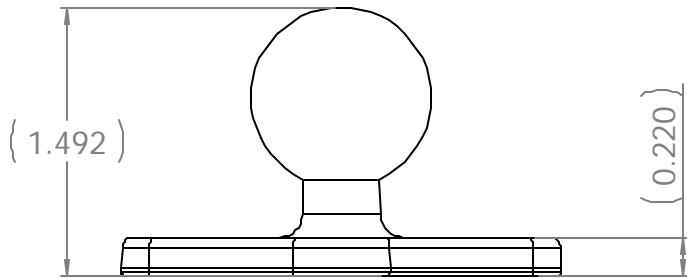


THE INFORMATION CONTAINED IN THIS DRAWING IS THE SOLE PROPERTY OF NATIONAL PRODUCTS INC. ANY REPRODUCTION IN PART OR WHOLE WITHOUT THE WRITTEN PERMISSION OF NATIONAL PRODUCTS INC. IS PROHIBITED.

8 7 6 5 4 3 2 1

D  
C  
B  
A

D  
C  
B  
A



|   |  |  |          |   |                    |              |
|---|--|--|----------|---|--------------------|--------------|
| UNLESS OTHERWISE SPECIFIED DIMENSIONS ARE IN INCHES<br>TOLERANCES ARE:<br>FRACTIONS DECIMALS ANGLES<br>+ - 1/32 .XX+ -.06 + - 1 DEG.<br>.XXX+ -.030 |  | CAD GENERATED DRAWING.<br>DO NOT MANUALLY UPDATE |          | NATIONAL PRODUCTS INC.<br>1017 S. ELMGROVE ST.<br>SEATTLE, WA 98108 |                    |              |
| MATERIAL ALUMINUM   |  | APPROVALS  | DATE     | RAM DIAMOND BASE WITH<br>1" DIAMETER RUBBER BALL                    |                    |              |
| FINISH BLACK POWDER COAT  |  | DRAWN JDC  | 02/05/99 |   |                    |              |
| DO NOT SCALE DRAWING  |  | CHECKED CMR                                      | 04/20/01 |   |                    |              |
|   |  | RESP ENG   |          |   |                    |              |
|   |  | MFG ENG  |          | SIZE A  | DWG. NO. RAM-B-238 | REV.         |
|   |  | QUAL ENG   |          | SCALE   | CAD FILE: RAMB238  | SHEET 1 OF 1 |

8 7 6 5 4 3 2 1