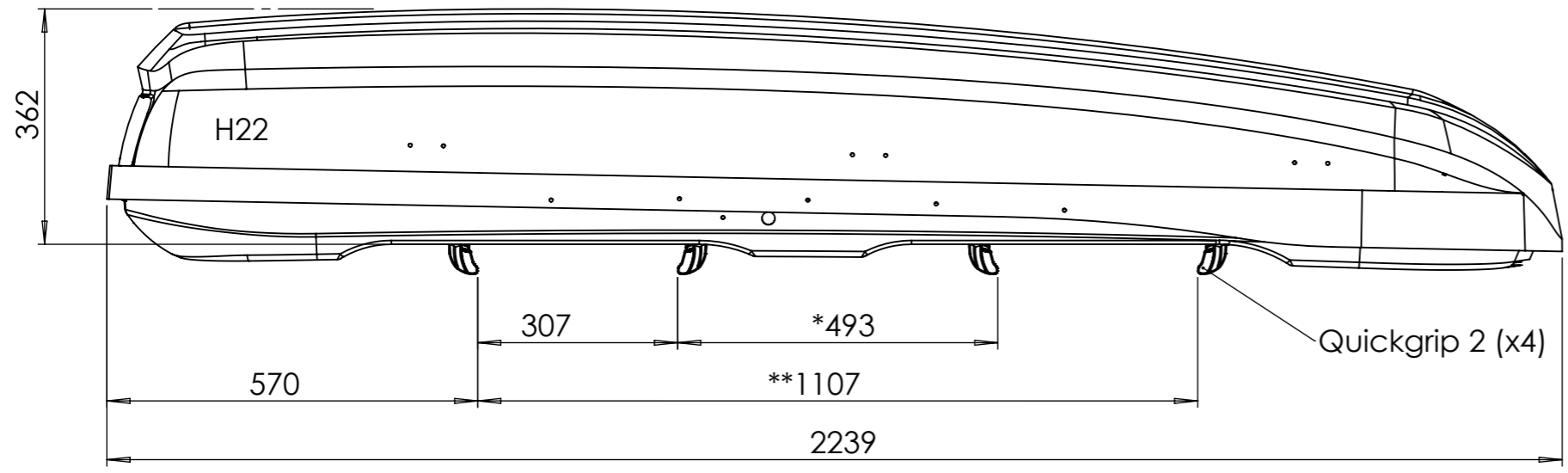
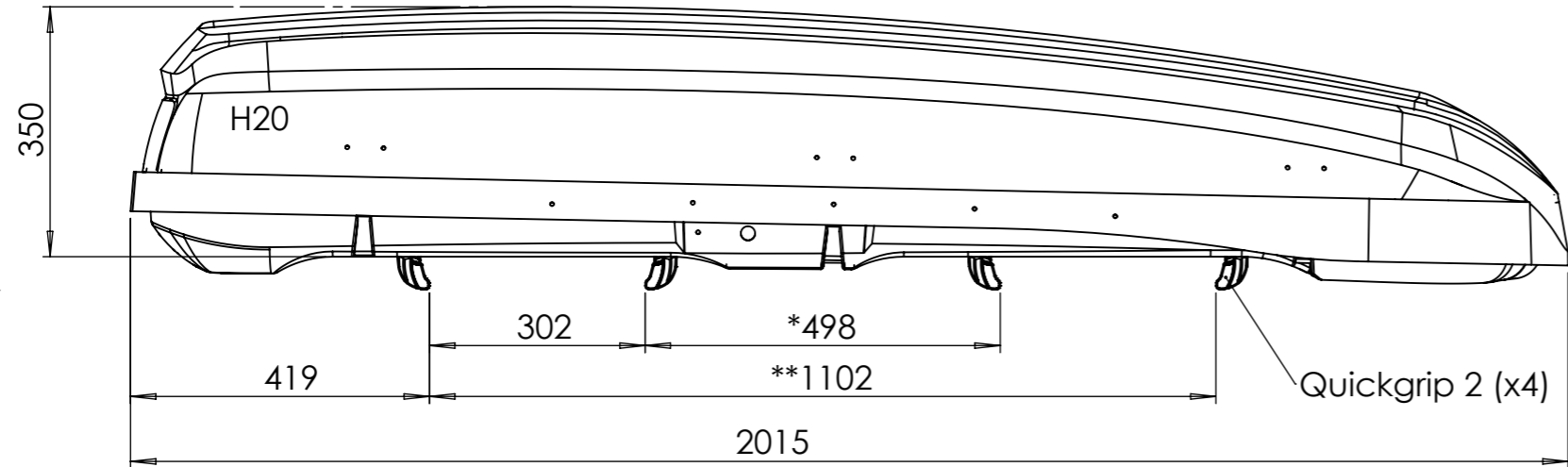


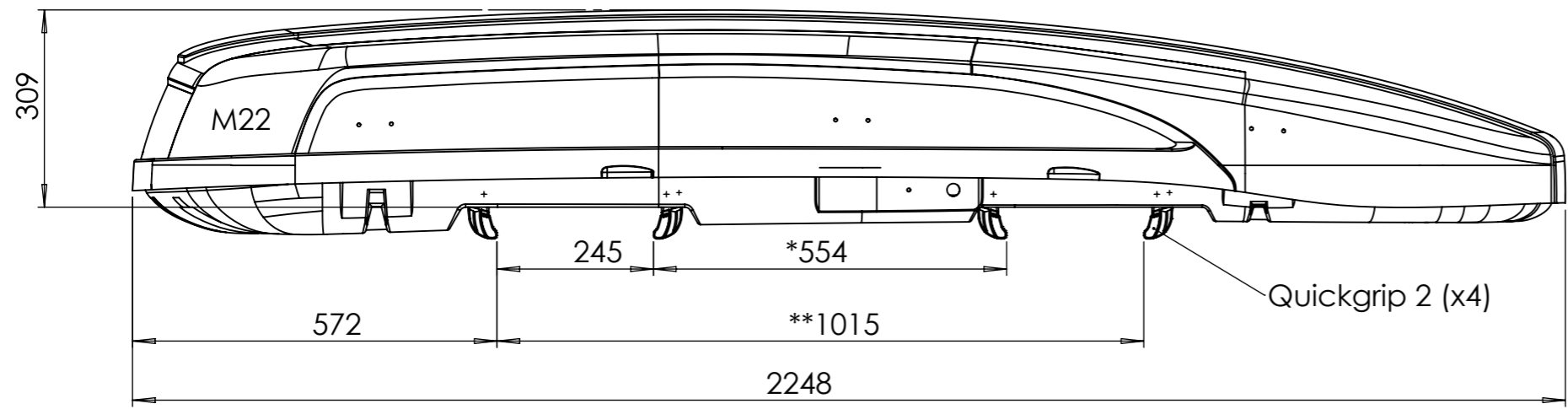
Rev.	Note	Date	Inf.	Appr.
B	New roof box assortment	2019-09-11	MAPE	



H22



H20



M22

Note: * Min distance between roof rails
 ** Max distance between roof rails

This document must not be copied without our written permission and the contents thereof must not be imparted to a third party nor be used for any unauthorized purpose. Contrainvention will be prosecuted.

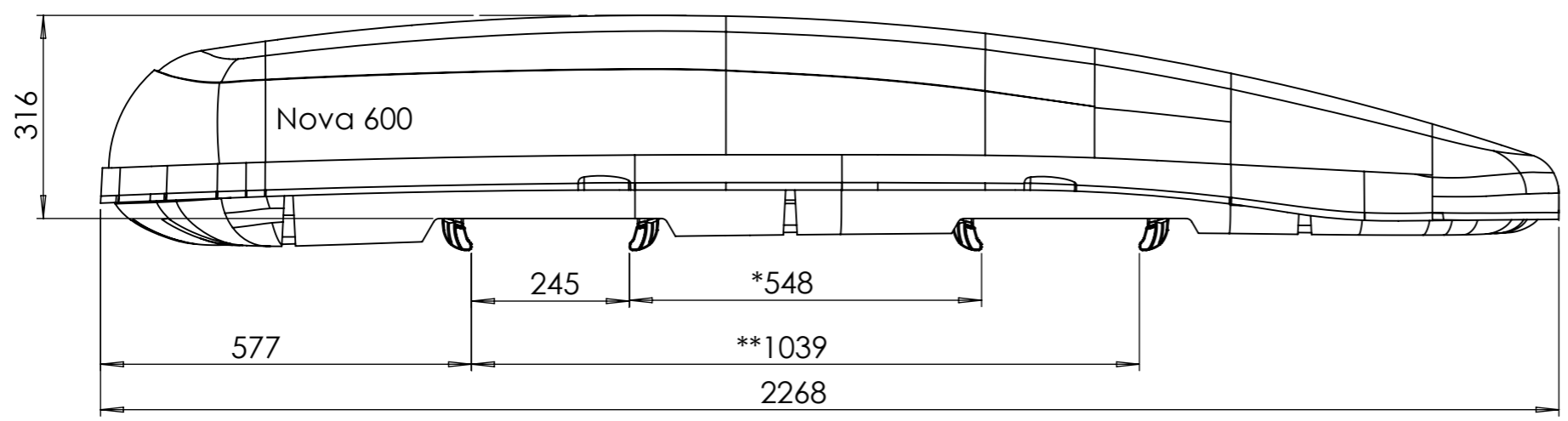
Den här handlingen får ej utån vårt medgivande kopieras. Den får ej heller delges annan eller eljest obehörigen användas. Överträdelse härav beivras med stöd av gällande lag.

Designed MAPE	Approved mape	State Revision	Size A3	Scale 1:10	Replaces	Replaced by
autoform			OVERVIEW PLACEMENT FOR ROOF RAILS CALIX ROOF BOXES WITH QUICKGRIP 2		Date 2018-10-30	Replaced by
					Draw.no 00047027 SH1	Rev. B

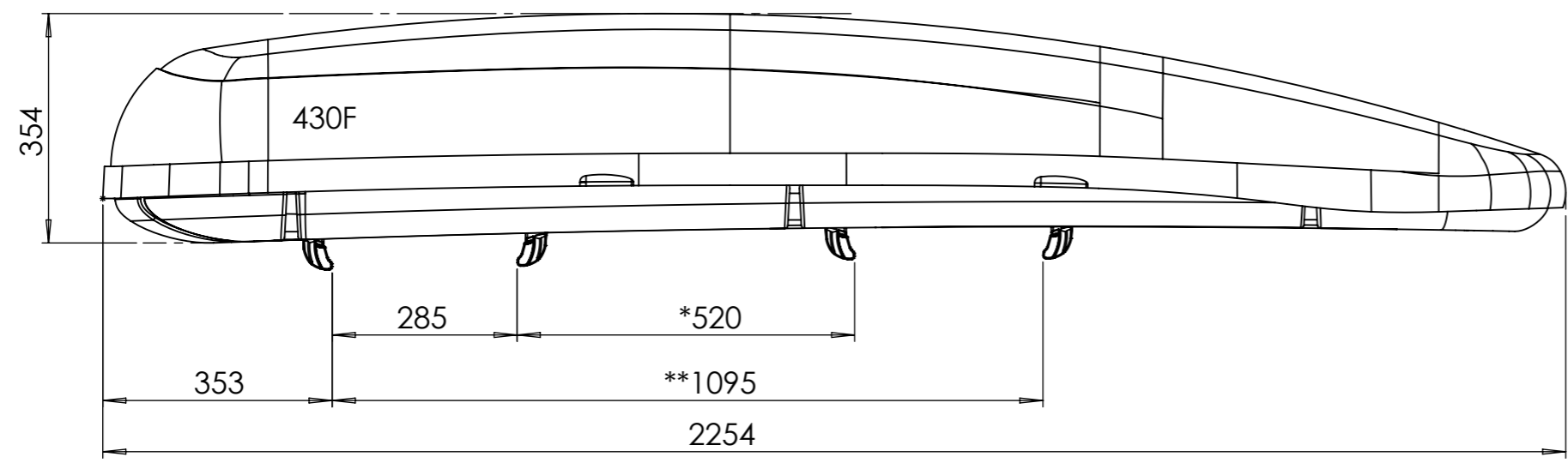
Rev.	Note	Date	Inf.	Appr.
B	New roof box assortment	2019-09-11	MAPE	

This document must not be copied without our written permission and the contents thereof must not be imparted to a third party nor be used for any unauthorized purpose. Contrainvention will be prosecuted.

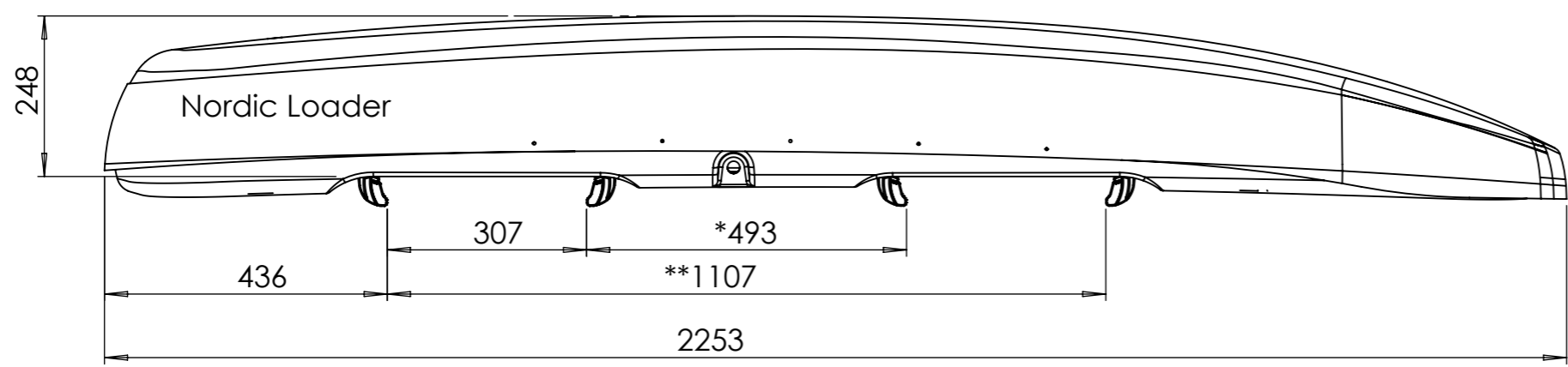
Den här handlingen får ej utån vårt medgivande kopieras. Den får ej heller delges annan eller eljest obehörigen användas. Överträdelse härav beivras med stöd av gällande lag.



Nova 600



430F



Nordic Loader

Note: * Min distance between roof rails
 ** Max distance between roof rails

Designed MAPE	Approved mape	State Revision	Size A3	Scale 1:10	Replaces	Replaced by
autoform			OVERVIEW PLACEMENT FOR ROOF RAILS CALIX ROOF BOXES WITH QUICKGRIP 2		Date 2018-10-18	Rev. B
					Draw.no 00047027 SH2	