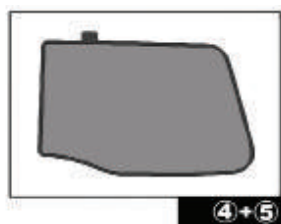
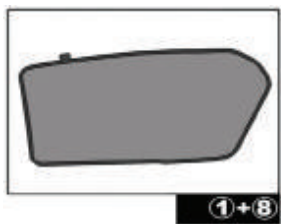


# Installation Manual

HONDA ACCORD ESTATE  
HON-ACCO-E-B



## COMPONENTS INCLUDED



CL-P02 x 2



CL-P01 x 12



CL-W01 x 1



# Installation

HONDA ACCORD ESTATE  
HON-ACCO-E-B



## WARNING

- ✦ Read these fitting instructions carefully before you start the installation.
- ✦ On installation care must be taken not to scratch any paintwork with clips.
- ✦ Rear passenger windows must be closed whilst the sun blinds are fitted and the vehicle is in motion.

## ATTENTION

- ✦ Lisez attentivement ces instructions de montage avant de commencer l'installation.
- ✦ Lors de l'installation, veillez à ne pas griffer la peinture avec des attaches.
- ✦ La vitre côté passager arrière doit être fermée pendant la fixation des pare-soleil, quand le véhicule est en mouvement.

## WARNUNG

- ✦ Lesen Sie diese Montageanleitungen sorgfältig, bevor Sie mit der Montage beginnen.
- ✦ Bei der Montage muss darauf geachtet werden, dass der Lack nicht mit den Klemmen zerkratzt wird.
- ✦ Heckfenster müssen geschlossen werden, während die Sonnenblenden montiert werden, und sich das Fahrzeug bewegt.

## WAARSCHUWING

- ✦ Lees deze montagehandleiding aandachtig alvorens met de montage te beginnen.
- ✦ Zorg ervoor dat u bij de montage de lak niet schendt met de clips.
- ✦ De vensters van de achterportieren moeten dicht blijven wanneer er zonnecleppen gemonteerd zijn en het voertuig in beweging is.

## ATTENZIONE

- ✦ Leggere attentamente le presenti istruzioni di montaggio prima di iniziare l'installazione.
- ✦ Nel corso dell'installazione si avrà cura di non graffiare la vernice con le clip.
- ✦ I finestrini posteriori rimarranno chiusi se sono montati i parasole ed il veicolo è in movimento.

## ATENCIÓN

- ✦ Lea atentamente estas instrucciones de colocación antes de comenzar la instalación.
- ✦ Durante la instalación se debe tener cuidado de no rayar la pintura con los clips.
- ✦ Las ventanas traseras se deben cerrar mientras se ajustan las persianas y el vehículo está en movimiento.

## AVISO

- ✦ Leia com atenção estas instruções de colocação antes de você iniciar a instalação.
- ✦ Tenha cuidado ao instalar para não riscar nenhuma pintura com os cliques.
- ✦ As janelas traseiras do passageiro deverá ser fechada enquanto os protetores contra o sol estiverem colocados e o veículo estiver em movimento.

## WARNING

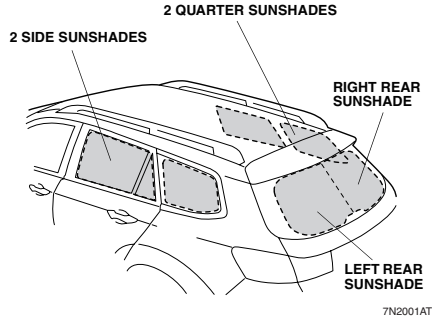
- ✦ Läs dessa monteringsanvisningar noga innan du börjar montera.

# Installation

HONDA ACCORD ESTATE  
HON-ACCO-E-B



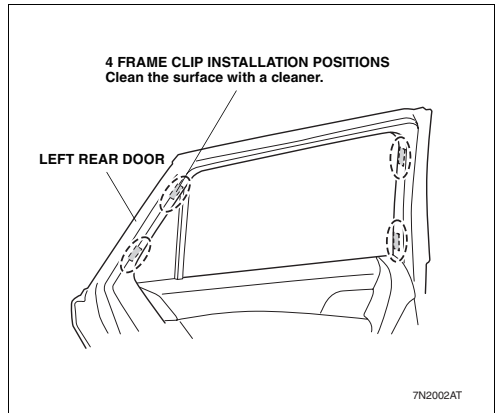
## Illustration of the Components on the Vehicle



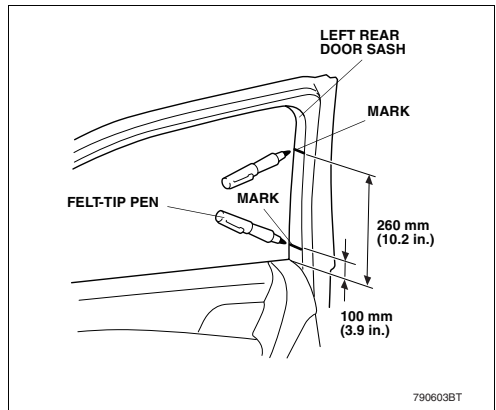
## Installation

### Installing the Side Sunshade

1. Open the left rear door.
2. Check the positions where the frame clips are installed and clean the surfaces with the cleaner provided from the kit.



3. Using a felt-tip pen, make two marks in the positions shown.

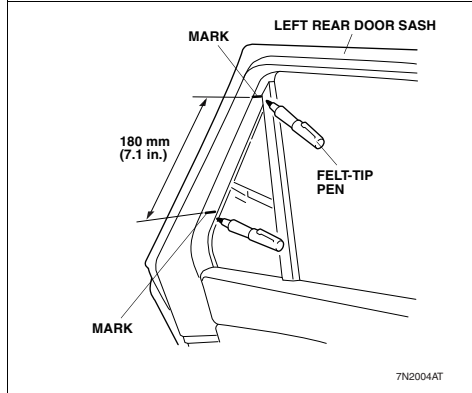


# Installation

HONDA ACCORD ESTATE  
HON-ACCO-E-B



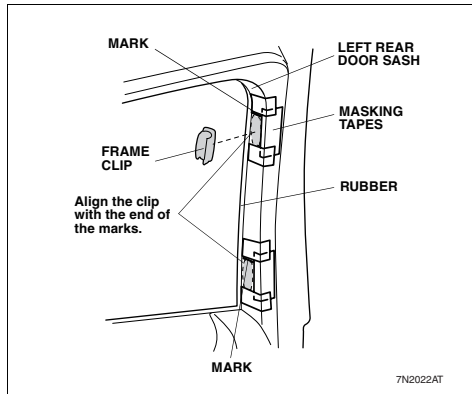
4. Using a felt-tip pen, make two marks in the positions shown.



5. Temporarily position the frame clip on the left rear door sash aligning the end of the frame clip with the marks you made in step 3 and attach the pieces of masking tape as shown.



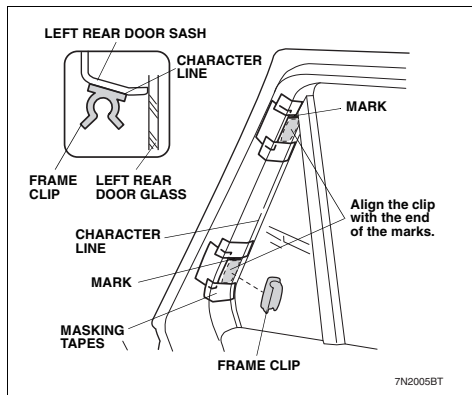
**CL-P01**



6. Temporarily position the frame clip on the left rear door sash aligning the end of the frame clip with the marks you made in step 4 and attach the pieces of masking tape as shown.



**CL-P01**

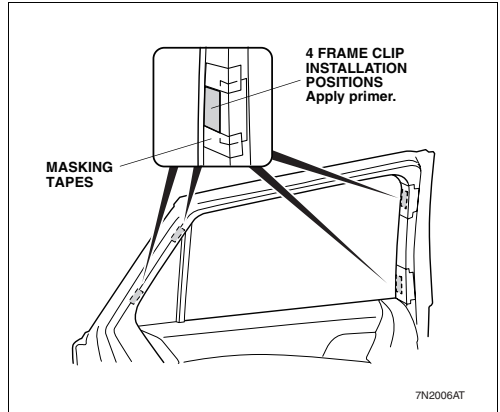


# Installation

HONDA ACCORD ESTATE  
HON-ACCO-E-B



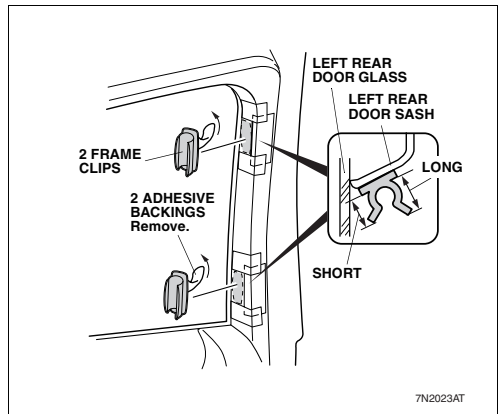
7. Apply primer to the parts of the door sash enclosed with the masking tapes and let it dry thoroughly.



8. Remove the adhesive backing from each frame clip to install in the positions shown.
  - Note the installation direction of the frame clips.



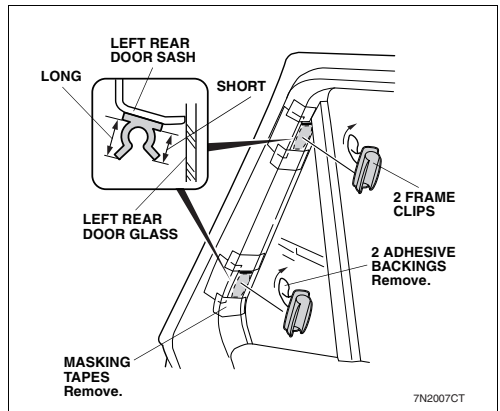
CL-P01



9. Remove the adhesive backing from each frame clip to install in the positions shown.
  - Note the installation direction of the frame clips.
10. Remove the masking tapes.
11. Erase the marks.



CL-P01

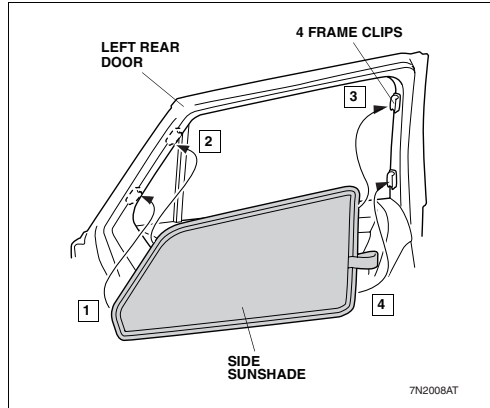


# Installation

HONDA ACCORD ESTATE  
HON-ACCO-E-B

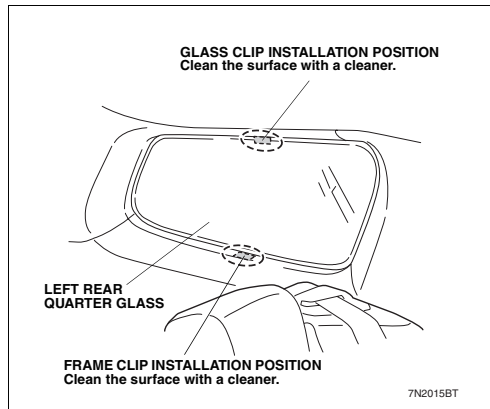


12. Install the side sunshade on the four frame clips in the numbered sequence of **1** through **4**.
13. Repeat the same work on the other side.

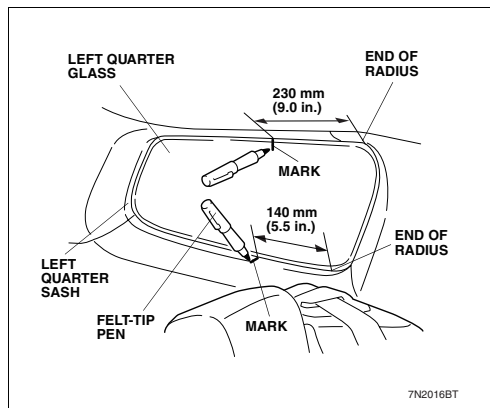


## Installing the Quarter Sunshade

14. Check the positions where the frame clip and glass clip are installed and clean the surfaces with the cleaner provided from the kit.



15. Using a felt-tip pen, make two marks in the positions shown.



# Installation

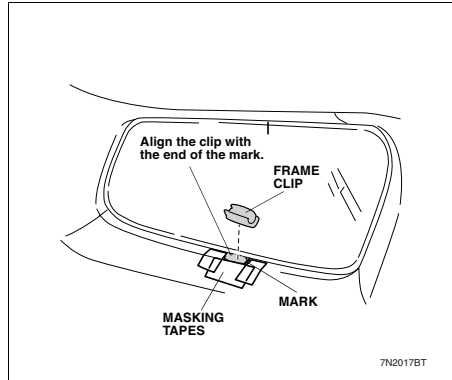
HONDA ACCORD ESTATE  
HON-ACCO-E-B



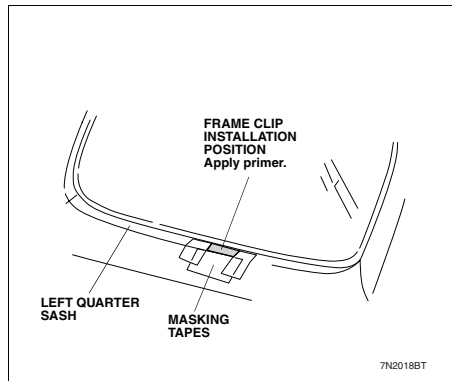
16. Temporarily position the frame clip on the left quarter sash aligning the end of the frame clip with the mark you made in step 15 and attach the pieces of masking tape as shown.



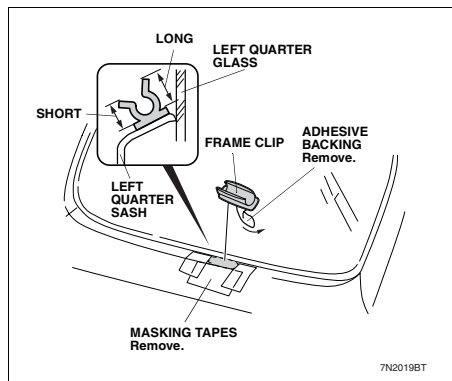
**CL-P01**



17. Apply primer to the parts of the left quarter sash enclosed with the masking tapes and let it dry thoroughly.



18. Remove the adhesive backing from the frame clip to install in the position shown.
- Note the installation direction of the frame clip.
19. Remove the masking tapes.



# Installation

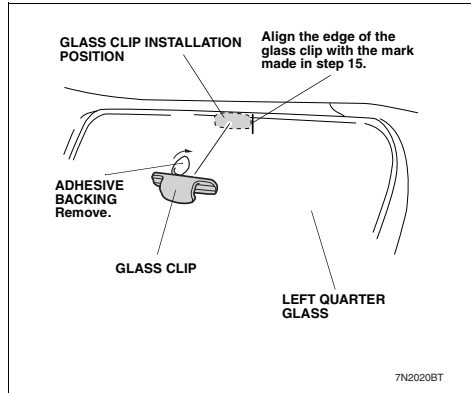
HONDA ACCORD ESTATE  
HON-ACCO-E-B



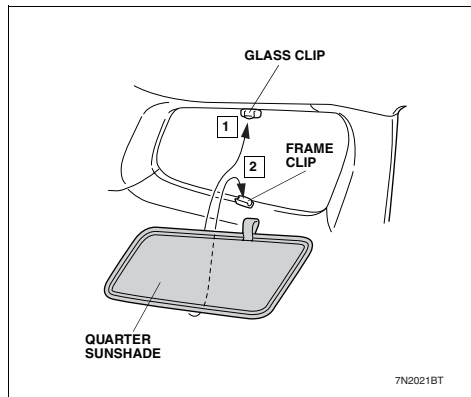
- Align the edge of the glass clip with the mark on the left quarter glass, and attach the glass clip on the left quarter glass.
- Erase the marks.



**CL-P02**

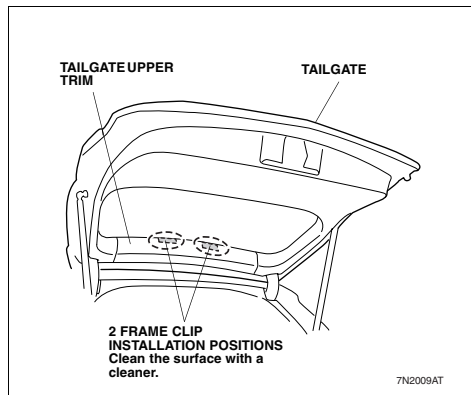


- Install the quarter sunshade on the two clips in the numbered sequence of **1** and **2**.
- Repeat the same work on the other side.



## Installing the Rear Sunshade

- Open the tailgate.
- Check the positions where the frame clips are installed and clean the surfaces with the cleaner provided from the kit.



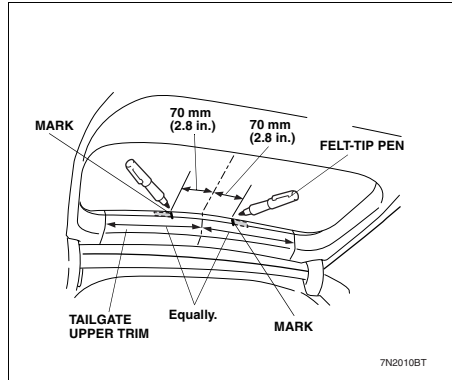


# Installation

HONDA ACCORD ESTATE  
HON-ACCO-E-B



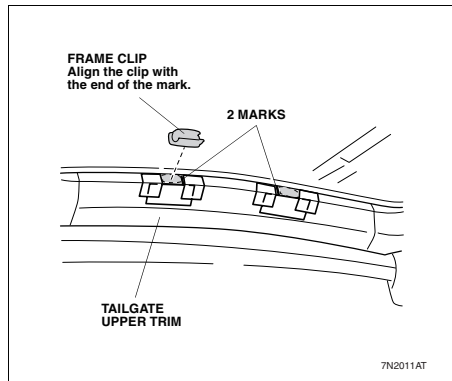
26. Using a felt-tip pen, make two marks in the positions shown.



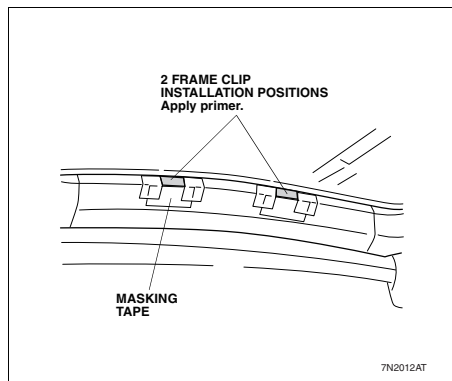
27. Temporarily position the frame clip on the tailgate upper trim aligning the end of the frame clip with the marks you made in step 26 and attach the pieces of masking tape as shown.



**CL-P01**



28. Apply primer to the parts of the tailgate upper trim enclosed with the masking tapes and let it dry thoroughly.



# Installation

HONDA ACCORD ESTATE  
HON-ACCO-E-B



29. Remove the adhesive backing from each frame clip to install in the position shown.
  - Note the installation direction of the frame clips.
30. Remove the masking tapes.
31. Erase the marks.



**CL-P01**

32. Install the left and right rear sunshades between the tailgate lower trim and the rear glass [1].
33. Secure the left and right rear sunshades to the frame clips [2].

