

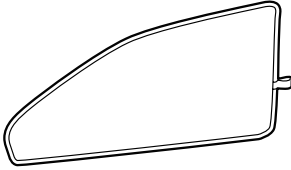
Installation Manual

HONDA ACCORD 4DR

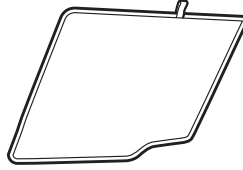
HON-ACCO-4-B



COMPONENTS INCLUDED



Side Shades x 2



Rear Shades x 2



CL-P02 x 2



CL-P01 x 8

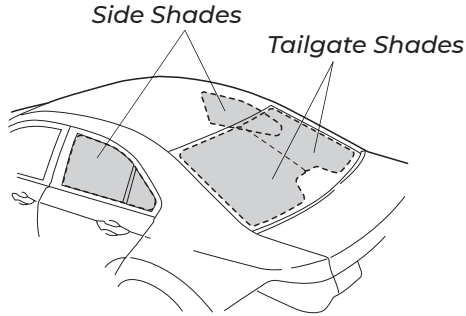


CL-W01 x 1



Installation

HONDA ACCORD 4DR
HON-ACCO-4-B

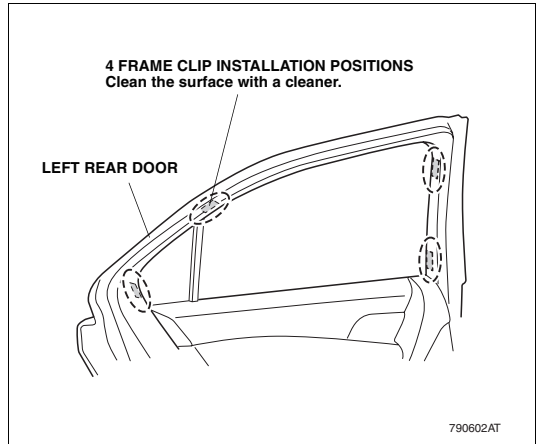


790601AT

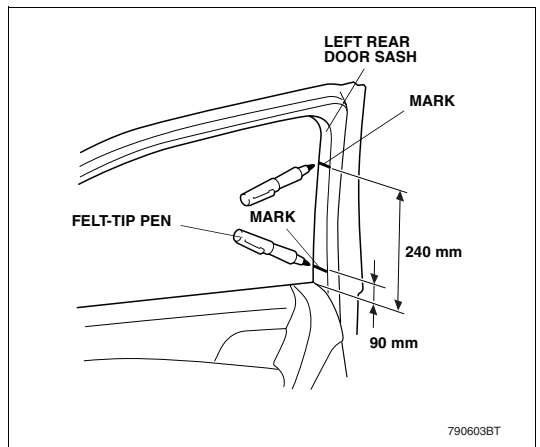
Installation

Installing the Side Shades

1. Open the left rear door.
2. Check the positions where the frame clips are installed and clean the surfaces with the cleaner provided from the kit.



3. Measure each clip installation position to the dimensions shown.
4. Mark with a felt-tip pen the position of the measured dimension of the door sash.



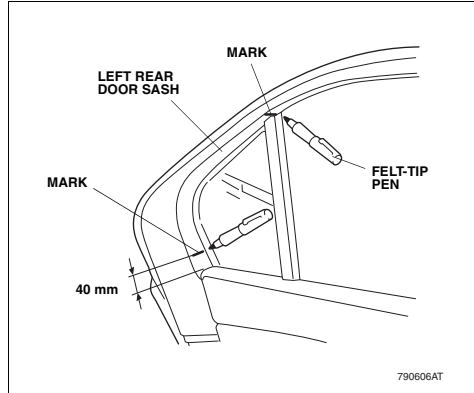
Installation

HONDA ACCORD 4DR

HON-ACCO-4-B



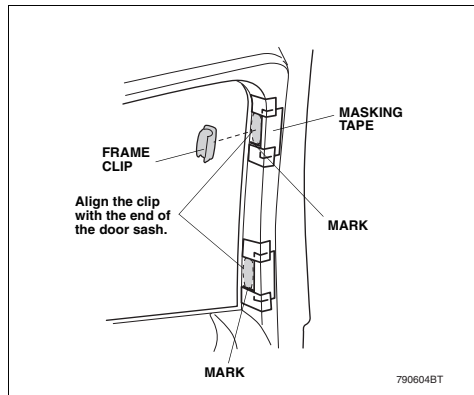
5. Measure each clip installation position to the dimensions shown.
6. Mark with a felt-tip pen the position of the measured dimension of the door sash.



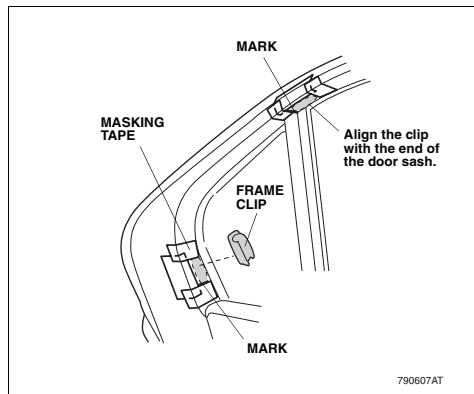
7. Temporarily position the two frame clips on the door sash aligning the end of the frame clips with the marks you made in step 4 and attach the pieces of masking tape as shown.



CL-P01



8. Temporarily position the frame clips on the door sash aligning the end of the frame clips with the marks you made in step 6 and attach the pieces of masking tape as shown.



Installation

HONDA ACCORD 4DR

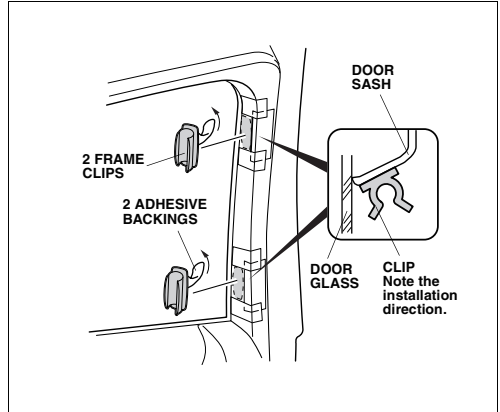
HON-ACCO-4-B



9. Remove the adhesive backing from each of the two frame clips and install the frame clips in the positions shown.
- Note the installation direction of the clips.



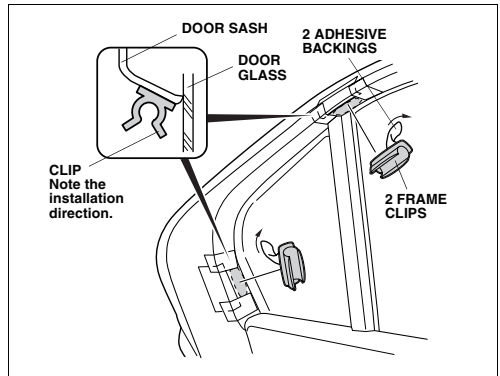
CL-P01



10. Remove the adhesive backing from each of the two frame clips and install the frame clips in the positions shown.
- Note the installation direction of the clips.
- Remove the masking tapes.



CL-P01



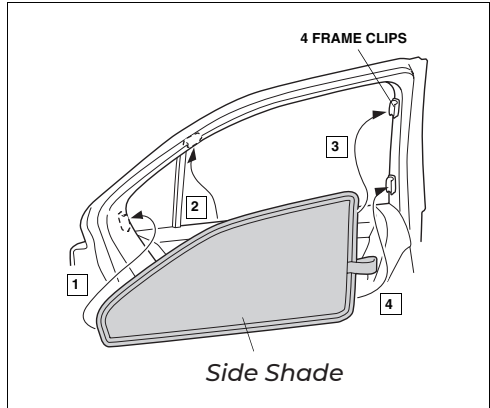
Installation

HONDA ACCORD 4DR

HON-ACCO-4-B

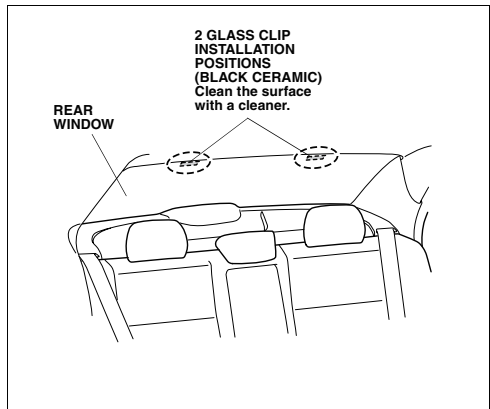


11. Install the side sunshade on the frame clips in the numbered sequence of **1** through **4**.
12. Repeat the same work on the other side.

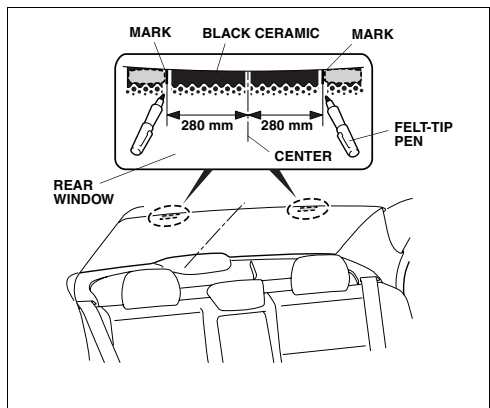


Installing The Tailgate Shades

13. Check the positions where the glass clips are installed and clean the surfaces with the cleaner provided from the kit.



14. Measure each glass clip installation position to the dimensions shown.
15. Mark with a felt-tip pen the position of the measured dimension of the rear window.



Installation

HONDA ACCORD 4DR

HON-ACCO-4-B



16. Remove the adhesive backing from each glass clip.
17. Align the edge of the glass clip with the mark on the rear window, and attach the glass clip on the window.
 - Hold the adhesive tape of the glass clip back side firmly against the rear window for 15 seconds after attaching the glass clip.
18. Erase the marks.



CL-P02

19. Install the *Tailgate Shade* on the glass clip [1].
20. Secure the *Tailgate Shade* by setting it between the high mount brake light and rear window.
21. Install another *Tailgate Shade*

