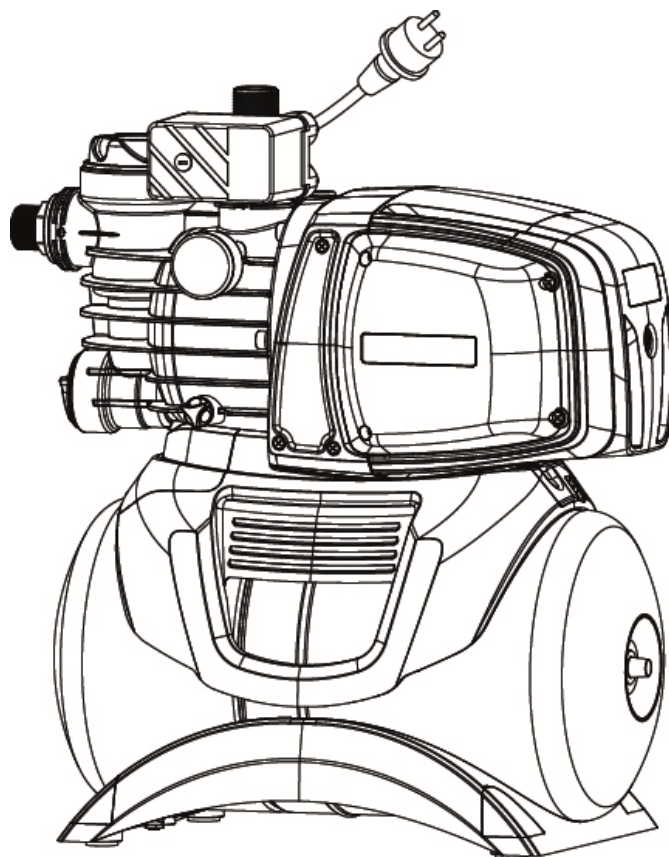


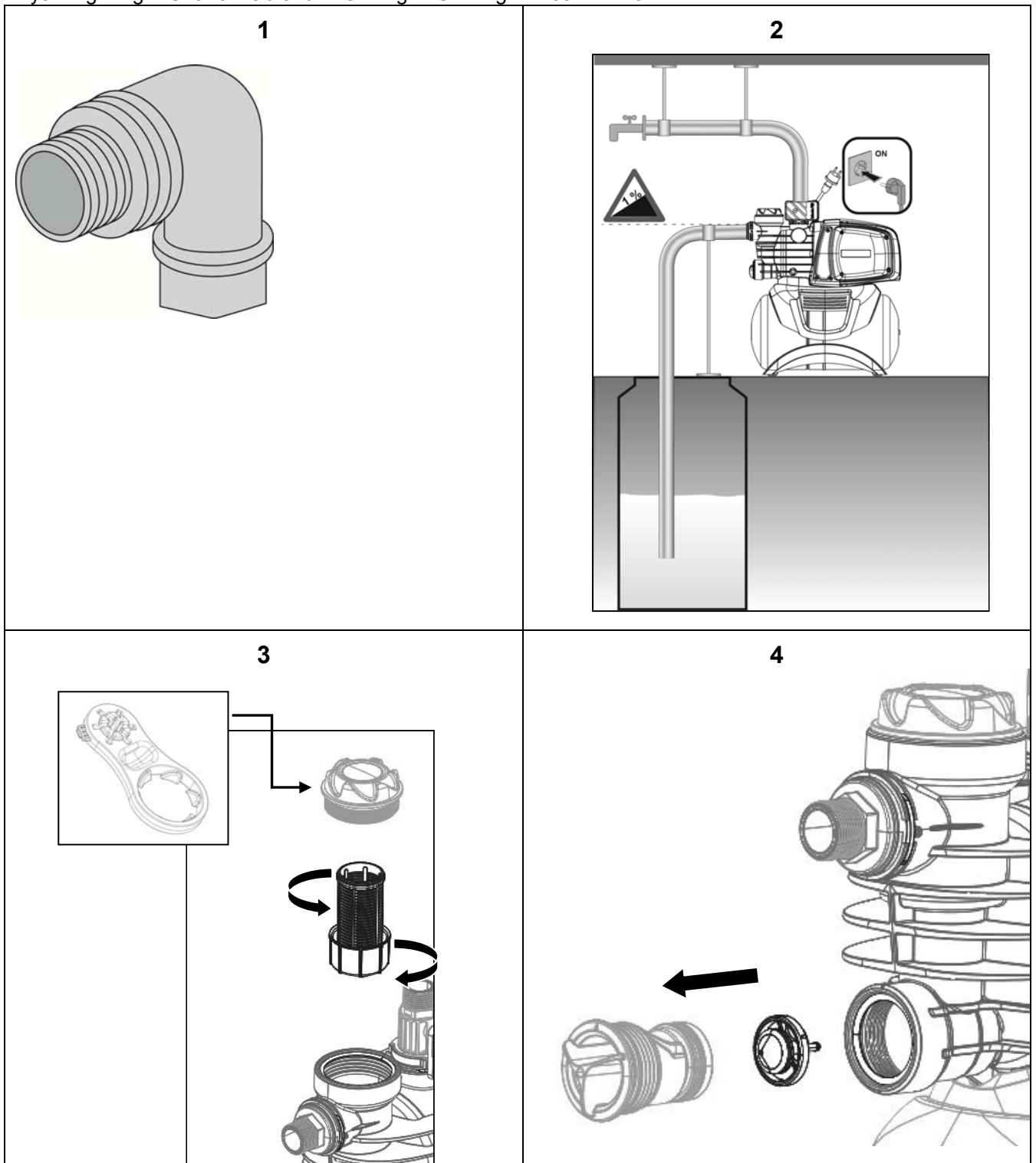
---

INSTRUCTIONS FOR INSTALLATION AND MAINTENANCE (GB)  
ISTRUZIONI PER L'INSTALLAZIONE E LA MANUTENZIONE (IT)  
INSTALLATIONS- UND WARTUNGSANLEITUNGEN (DE)  
INSTRUCTIONS POUR L'INSTALLATION ET LA MAINTENANCE (FR)  
INSTRUCCIONES DE INSTALACIÓN Y MANTENIMIENTO (ES)  
ИНСТРУКЦИЯ ЗА ИНСТАЛИРАНЕ И ОБСЛУЖВАНЕ (BG)  
NÁVOD K INSTALACI A ÚDRŽBĚ (CZ)  
BRUGSANVISNING (DK)  
ΟΔΗΓΙΕΣ ΓΙΑ ΤΗΝ ΕΓΚΑΤΑΣΤΑΣΗ ΚΑΙ ΤΗ ΣΥΝΤΗΡΗΣΗ (GR)  
KASUTUS- JA HOOLDUSJUHEND (EE)  
ASENNUS- JA HUOLTO-OHJEET (FI)  
PRIRUČNIK S UPUTAMA (HR)  
INSTALLÁCIÓS ÉS KARBANTARTÁSI KÉZIKÖNYV (HU)  
MONTAVIMO IR TECHNINĖS PRIEŽIŪROS INSTRUKCIJOS (LT)  
UZSTĀDĪŠANAS UN TEHNISKĀS APKOPES ROKASGRĀMATA (LV)  
INSTRUCTIES VOOR INSTALLATIE EN ONDERHOUD (NL)  
ANVISNINGER FOR INSTALLASJON OG VEDLIKEHOLD (NO)  
INSTRUKCJA MONTAŻU I KONSERWACJI (PL)  
INSTRUÇÕES PARA A INSTALAÇÃO (PT)  
INSTRUCȚIUNI PENTRU INSTALARE ȘI ÎNTREȚINERE (RO)  
ИНСТРУКЦИИ ПО МОНТАЖУ И ТЕХОБСЛУЖИВАНИЮ (RU)  
POKYNÝ K INŠTALÁCII A ÚDRŽBE (SK)  
NAVODILA ZA INŠTALACIJO IN VZDRŽEVANJE (SI)  
UDHËZIME PËR INSTALIMIN E MIRËMBAJTJEN (AL)  
UPUTSTVO ZA INSTALACIJU I ODRŽAVANJE (RS)  
INSTALLATIONS- OCH UNDERHÅLLSANVISNINGV(SE)  
KURMA VE BAKIM BİLGİLERİ (TR)  
ІНСТРУКЦІЇ ЗІ ВСТАНОВЛЕННЯ ТА ТЕХНІЧНОГО ОБСЛУГОВУВАННЯ (UA)



<b>ENGLISH</b>	Pag.	1
<b>ITALIANO</b>	Pag.	6
<b>DEUTSCH</b>	Seite	11
<b>FRANÇAIS</b>	Page	17
<b>ESPAÑOL</b>	Pág.	23
<b>БЪЛГАРСКИ</b>	Стр.	29
<b>ČESKY</b>	Strana	35
<b>DANSK</b>	Side	40
<b>ΕΛΛΗΝΙΚΑ</b>	Σελ.	45
<b>EESTI</b>	Lk.	51
<b>SUOMI</b>	Sivu	56
<b>HRVATSKI</b>	Stranica	61
<b>MAGYAR</b>	Oldal	66
<b>LIETUVIŲ</b>	Psł.	71
<b>LATVIEŠU</b>	Lpp.	76
<b>NEDERLANDS</b>	Pag.	81
<b>NORSK</b>	Pag.	87
<b>POLSKI</b>	Strona	92
<b>PORTUGUÊS</b>	Pag.	97
<b>ROMÂNĂ</b>	Pag.	102
<b>РУССКИЙ</b>	Стр.	107
<b>SLOVENSKY</b>	Str.	113
<b>SLOVENŠČINA</b>	Str.	118
<b>SHQIP</b>	Pag.	123
<b>SRPSKI</b>	Str	128
<b>SVENSKA</b>	Sid.	133
<b>TÜRKÇE</b>	Sf.	138
<b>УКРАЇНСЬКА</b>	Стор.	143

Fig - Fig. - Abb.- Fig.- Fig.- Фиг.- Obr.- Fig.- Еик. - Joonis - Kuva - Sl. - .ábra - Fig. - .att. - Afbeelding - Fig. - Rys.- Fig.- Fig. - Схема - Obrázok - Sl.- Fig. - Sl. - Fig. - Resim - Мал.



# INDEX

1. APPLICATIONS.....	1
2. PUMPABLE LIQUIDS.....	1
3. TECHNICAL DATA AND LIMITATIONS OF USE .....	1
4. MANAGEMENT.....	2
4.1 Storage.....	2
4.2 Transport.....	2
4.3 Weight and dimensions.....	2
5. WARNINGS.....	2
6. INSTALLATION .....	3
7. ELECTRICAL CONNECTION.....	3
8. START-UP.....	3
9. PRECAUTIONS.....	4
10. MAINTENANCE AND CLEANING .....	4
10.1 Cleaning the suction filter .....	4
10.2 Cleaning the NRV.....	4
11. TROUBLESHOOTING .....	4
FILLING THE EXPANSION VESSEL WITH AIR .....	5
12. GUARANTEE.....	5

## WARNINGS



Read all this documentation carefully before installation:



Take out the plug before any intervention. Absolutely avoid dry operation: the pump must be activated exclusively when it is immersed in water. If the water is finished, the pump must be deactivated immediately, taking the plug out of the socket.



Protect the electropump against inclement weather.



The pump is equipped with a thermal overload safety device. In the event of any overheating of the motor, this device automatically switches off the pump. The cooling time is roughly 15 to 20 minutes, then the pump automatically comes on again. If the overload cutout is tripped, it is essential to identify and deal with the cause of the overheating. See Troubleshooting.

## 1. APPLICATIONS

Self-priming centrifugal jet pumps with excellent suction capacity, even when gas is present in the water. Particularly indicated for water supply and pressure boosting in farmhouses. Suitable for small farming and gardening applications and for general hobby activity. Thanks to their compact and handy shape, they are also used for particular applications as portable pumps for emergency situations such as for drawing water from tanks or rivers.



These pumps cannot be used in swimming pools, ponds or basins where people are present, or for pumping hydrocarbons (petrol, diesel fuel, combustible oils, solvents, etc.) in accordance with the accident-prevention regulations in force. They should be cleaned before putting them away. See the chapter "Maintenance and Cleaning".

## 2. PUMPABLE LIQUIDS

Clean, free from solid bodies or abrasive substances, non-aggressive.

Fresh water	•
Rainwater (filtered)	•
Clear waste water	○
Dirty water	○
Fountain water (filtered)	•
River or lake water (filtered)	•
Drinking water	•

Table1

- Suitable
- Not suitable

## 3. TECHNICAL DATA AND LIMITATIONS OF USE

- **Supply voltage: 230V**, see electrical data plate
- **Delayed line fuses (230V version):** indicative values (Ampere)

Model	Line fuses 230V 50Hz
P1= 850 W	4
P1= 1100 W	6

Table2

- **Storage temperature:** -10°C +40°C

	<b>Model</b>	P1=850W	P1=1100W
Electrical data	P1 Rated absorbed power [W]	850	1100
	P2 [W]	600	750
	Mains voltage [V]	1 ~ 220-240 AC	
	Mains frequency [Hz]	50	
	Current [A]	3.88	4.58
	Capacitor [µF]	12.5	16
	Capacitor [Vc]	450	
Hydraulic data	Max. flow rate [l/h]	3.180	3.750
	Max. head [m]	43	45
	Max. head [bar]	4.3	4.5
	Max. pressure [bar]	6	
	Max suction depth [m/min]	8 m / < 3min	
	Switch-on pressure [bar]	1.8	
	Switch-off pressure [bar]	3.2	
	Pressure indicator	Gauge	Gauge
Range of use	Length of power cable [m]	1.5	
	Type of cable	H07 RNF	
	Grade of motor protection	IP X4	
	Insulation class	F	
	Liquid temperature range [°C] according to EN 60335-2-41 for domestic use	0 °C / +35 °C	
	Max. particle dimension [mm]	Clean water	
	Max. ambient temperature [°C]	+40 °C	
Weight	DNM GAS	1" M	
	Net/Gross weight approx. [kg]	14/16.6	14.8/17.4

Table 3



**The pump cannot support the weight of the pipes, which must be supported in some other way.**

#### 4. MANAGEMENT

##### 4.1 Storage

All the pumps must be stored in a dry covered place, with possible constant air humidity, free from vibrations and dust. They are supplied in their original pack in which they must remain until the time of installation.

##### 4.2 Transport

Avoid subjecting the products to needless impacts and collisions.

##### 4.3 Weight and dimensions

The adhesive plate on the packaging indicates the total weight of the pump and its dimensions.

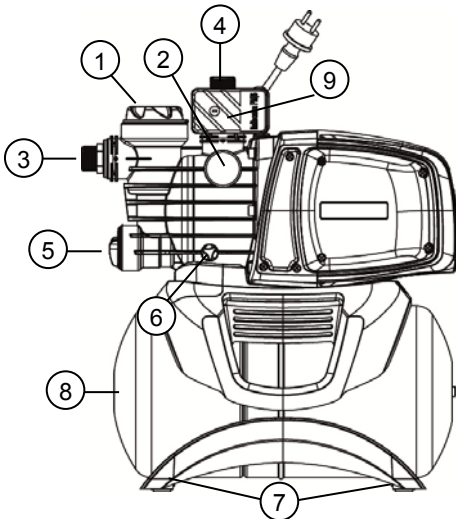
#### 5. WARNINGS



**The pumps must never be carried, lifted or allowed to operate suspended from the power cable; use the handle provided.**

- The pump must never be allowed to run when dry

## 6. INSTALLATION



- 1 Pre-filter
- 2 Gauge
- 3 Swivel suction connection
- 4 Delivery connection
- 5 Integrated non-return valve
- 6 Drainage cap
- 7 Vibration-damping rubber feet
- 8 Tank 18 l
- 9 Flow switch

The pump must be installed in a place protected from unfavourable weather conditions, and with an environment temperature not higher than 40°C.

The pump is provided with vibration-damping rubber feet, but in the case of fixed installations it is possible to remove them and provide anchorage to the base (7).

Do not allow the pipes to transmit excessive forces to the pump inlets (3) and (4), to avoid creating deformations or breakages.

**It is always good practice to place the pump as close as possible to the liquid to be pumped.** The pump must be installed only in horizontal position.

The pipes must never have an internal diameter smaller than that of the pump inlets; on intake, the pump is provided with a filter (1) and a non-return valve (NRV) (5).

For suction depths of over four metres or with long horizontal stretches it is advisable to use an intake hose with a diameter larger than that of the intake aperture of the pump. To prevent the formation of air pockets, the intake hose must slope slightly upwards towards the pump. Fig.2

If the suction pipe is made of rubber or flexible material, always check that it is of the reinforced vacuum-resistant type to avoid shrinkage due to suction.

In case of a fixed installation, it is recommended to fit a closing valve on both the suction side and the delivery side. This allows closure of the line upstream and/or downstream from the pump, useful for service and cleaning operations or for periods in which the pump is not in use.

The pump has a rotating inlet to facilitate installation (3) and (4).

In the case of flexible pipes, if necessary, use a bend fig. 1 and the gardening kit composed of a PE pipe and a kit of couplings with lance. These are not supplied, but can be bought separately.

In the case of very small dirt, as well as the integrated filter (1), it is recommended to use a **pump inlet filter fitted on the suction pipe**.

- Do not subject the motor to excessive starts/hour; it is strongly recommended not to exceed 20 starts/hour.



The diameter of the suction pipe must be **greater than or the same as the diameter of the pump inlet**, see Table 3.

## 7. ELECTRICAL CONNECTION



Ensure that the mains voltage is the same as the value shown on the motor plate and that there is the possibility of making a good earth connection. **Follow the indications on the technical data plate and in this manual, table 3. The length of the power cable on the pump limits the installation distance, if an extension is required, make sure that it is of the same type (e.g. H05 RN-F or H07 RN-F depending on the installation) see tab.**

## 8. START-UP



Do not start the pump without having completely filled it with liquid, about 4 litres.

If the water supply is finished, take the plug out of the socket immediately and switch off the pump. Avoid dry running.

1. Before starting, check that the pump is properly primed, filling it completely, with clean water, through the filling hole, after having removed the filling cap of the transparent filter (1), with your hands or with the appropriate tool provided. This ensures that the mechanical seal is well lubricated and that the pump immediately starts to work regularly. **Dry operation causes irreparable damage to the mechanical seal.**
2. The filling cap must be screwed on accurately until it stops (1).
3. Insert the plug of the power cable in a 230 V power socket. **Attention!** The pump motor will start immediately, the water will start to come out after a maximum time of 3 minutes, depending on the depth of the water level, in the well or cistern.
4. The pump is automatically deactivated when the maximum pressure is reached. If, when using water, the pressure falls below the minimum value, the pump is activated automatically. See Tab.3.
5. To switch off the pump completely, take the plug out of the power socket.



In case of problems with the priming, repeat the handling until all air in the suction is disappeared.

**9. PRECAUTIONS**

**RISK OF FROST:** when the pump remains inactive at a temperature lower than 0°C, it is necessary to ensure that there is no water residue which could freeze, causing cracks in the plastic parts.

If the pump has been used with substances that tend to form a deposit, or with water containing chlorine, rinse it after use with a powerful jet of water in order to avoid the formation of deposits or encrustations which would reduce the characteristics of the pump.

**10. MAINTENANCE AND CLEANING**

In normal operation the pump does not require any type of maintenance. In any case, all repair and maintenance work must be carried out only after having disconnected the pump from the supply mains. When restarting the pump, ensure that it has been correctly reassembled, so as not to create a risk for persons and property.

**10.1 Cleaning the suction filter**

Fig.3

- Switch off the electric power supply to the pump.
- Drain the pump, opening the drainage cap (6), after having first closed the gate valves upstream (if present).
- Unscrew the cover of the filter chamber, with your hands or with the appropriate tool provided
- Extract the filter unit from the top
- Rinse the cup under running water and clean the filter with a soft brush.
- Reassemble the filter, performing the operations in inverse order.

**10.2 Cleaning the NRV**

(Fig.4)

- Switch off the electric power supply to the pump.
- Remove the cap of the NRV (5) with the accessory provided.
- Remove the NRV check valve and clean it to remove any dirt fig.9
- Assemble the parts, proceeding in inverse order to disassembly.

**11. TROUBLESHOOTING**

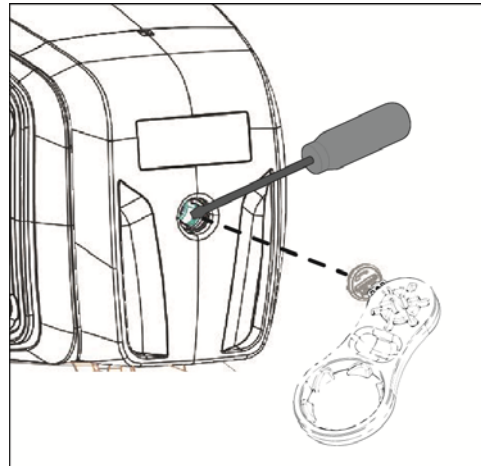
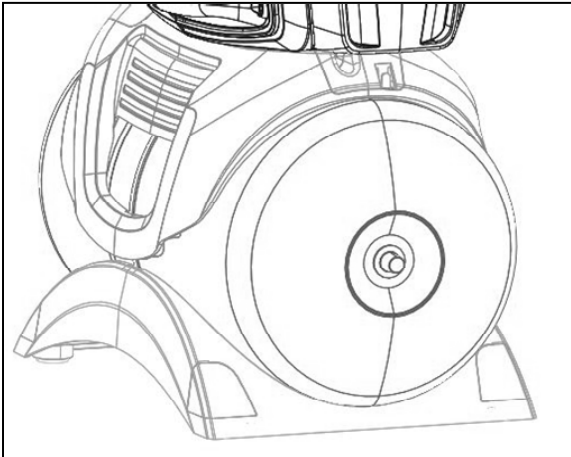


**Before taking any troubleshooting action, disconnect the pump from the power supply (i.e. remove the plug from the socket). If there is any damage to the power cable or pump, any necessary repairs or replacements must be performed by the manufacturer or his authorized customer support service, or by an equally-qualified party, in order to prevent all risks.**

FAULT	CHECKS (possible cause)	REMEDY
1. The motor does not start and makes no noise.	A. Check the electric connections. B. Check that the motor is live. C. Check the protection fuses. D. Possible intervention of thermal protection	C. If they are burnt-out, change them. D. Wait about 20 min until the motor cools. Check and eliminate the cause. <b>N.B.:</b> If the fault is repeated immediately this means that the motor is short circuiting.
1. The motor does not start but makes noise.	A. Ensure that the mains voltage is the same as the value on the plate. B. Look for possible blockages in the pump or motor. C. Check that the shaft is not blocked. D. Check the condition of the capacitor.	B. Remove the blockage C. Use the tool provided to release the shaft. D. Replace the capacitor
3. The motor turns with difficulty.	A. Check the voltage which may be insufficient. B. Check whether any moving parts are scraping against fixed parts.	B. Eliminate the cause of the scraping.
4. The pump does not deliver.	A. The pump has not been primed correctly. B. The diameter of the intake pipe is insufficient. C. NRV non-return valve or filter clogged.	A. Fill the pump with water and prime it, taking care to let air out by unscrewing the vent cap. B. Replace the pipe with one with a larger diameter. C. Clean the filter and, if this is not sufficient, the NRV.
5. The pump does not prime.	A. Suction pipe is taking in air.. B. The downward slope of the intake pipe favours the formation of air pockets.	A. Eliminate the phenomenon, checking that the connections and the suction pipe are airtight, and repeat the priming operation. B. Correct the inclination of the intake pipe.
6. The pump supplies insufficient flow.	A. The suction pipe is clogged. B. The impeller is worn or blocked. C. The diameter of the intake pipe is insufficient.	A. Clean the suction pipe.. B. Remove the obstructions or replace the worn parts. C. Replace the pipe with one with a larger diameter.

ENGLISH

FAULT	CHECKS (possible cause)	REMEDY
7. The pump is activated and deactivated too frequently	A. Damaged diaphragm of the expansion vessel B. The expansion vessel pressure is too low	A. Have the diaphragm replaced by an authorised service technician. B. Load the expansion vessel to 1.6 +/-0.2 bar.
8. The pump vibrates and operates noisily.	A. Check that the pump and the pipes are firmly anchored. B. There is cavitation in the pump, that is the demand for water is higher than it is able to pump. C. The pump is running above its plate characteristics.	A. Fix the loose parts more carefully. B. Reduce the intake height or check for load losses. C. It may be useful to limit the flow at delivery.



**FILLING THE EXPANSION VESSEL WITH AIR**

The pressure in the expansion vessel must be approx. 1.6 +/-0.2 bar. It is preloaded in the factory, so at the first start-up no operation is required.

To fill it with air you need an air pump or a device for inflating tyres with a pressure gauge (manometer).

1. Unscrew the protective cover.
2. Apply the air pump or the tyre inflating device to the valve of the boiler, pump air until the pressure gauge indicates about 1.6 +/-0.2 bar.
3. Screw the protective cover back on.

**12. GUARANTEE**



**Any modification made without prior authorisation relieves the manufacturer of all responsibility. All the spare parts used in repairs must be authentic and all accessories must be authorised by the manufacturer, in order to ensure maximum safety of the machines and of the systems in which they may be installed.**

This product is covered by a legal guarantee (in the European Community for 24 months from date of purchase) against all defects that can be assigned to manufacturing faults or to the material used.

The product under guarantee may, at discretion, either be replaced with one in perfect working order or replaced free of charge if the following conditions are observed:

- the product has been used correctly in compliance with the instructions and not attempt has been made to repair it by the buyer or by third parties.
- the product has been consigned to the outlet where it was purchased, attaching a document as proof of purchase (invoice or cash register receipt) and a brief description of the problem found.

The impeller and parts subject to wear are not covered by the guarantee. Intervention under guarantee does not extend the initial guarantee period in any way.



## INDICE

1. APPLICAZIONI .....	6
2. LIQUIDI POMPABILI.....	6
3. DATI TECNICI E LIMITAZIONI D'USO .....	7
4. GESTIONE .....	7
4.1 Immagazzinaggio .....	7
4.2 Trasporto .....	7
4.3 Peso e dimensioni.....	7
5. AVVERTENZE.....	7
6. INSTALLAZIONE.....	8
7. ALLACCIAMENTO ELETTRICO.....	8
8. AVVIAMENTO.....	8
9. PRECAUZIONI.....	9
10. MANUTENZIONE E PULIZIA .....	9
10.1 Pulizia del filtro di aspirazione .....	9
10.2 Pulizia della NRV.....	9
11. RICERCA GUASTI.....	9
RIEMPIRE D'ARIA IL VASO D'ESPANSIONE .....	10
12. GARANZIA.....	10

### AVVERTENZE



Prima di procedere all'installazione leggere attentamente tutta la documentazione:



Prima di ogni intervento staccare la spina. Evitare nel modo più assoluto il funzionamento a secco.



Proteggere l'elettropompa dalle intemperie



Protezione da sovraccarico. La pompa è dotata di un salvamotore termico. In caso di eventuale surriscaldamento del motore, il salvamotore spegne la pompa automaticamente. Il tempo di raffreddamento è di circa 15-20 min. dopo di che la pompa si riaccende automaticamente. Dopo l'intervento del salvamotore è assolutamente necessario ricercarne la causa ed eliminarla. Consultate Ricerca Guasti.

### 1. APPLICAZIONI

Pompe centrifughe autoadescanti a getto con ottima capacità di aspirazione anche in presenza di acqua gassata. Particolarmente indicata per alimentazione idrica e pressurizzazione di casolari. Idonee per piccola agricoltura di orti e giardinaggio, emergenze domestiche ed hobbistica in genere. Grazie alla forma compatta e maneggevole trovano anche particolari applicazioni come pompe portatili per casi di emergenza quali, prelievo d'acqua da serbatoi o fiumi.



Queste pompe non possono essere utilizzate in piscine, stagni, bacini con presenza di persone, e o per il pompaggio di idrocarburi (benzina, gasolio, oli combustibili, solventi, ecc.) secondo le norme antinfortunistiche vigenti in materia. Prima di riportarle sarebbe buona norma prevedere una fase di pulizia. Vedi capitolo "Manutenzione e Pulizia".

### 2. LIQUIDI POMPABILI

Pulito, senza corpi solidi o abrasivi, non aggressivo.

Acque fresche	•
Acqua piovana (filtrata)	•
Acque chiare di rifiuto	○
Acque sporche	○
Acqua di fontana (filtrata)	•
Acqua di fiume o lago (filtrata)	•
Acqua potabile	•

Tabella 1

- Adatto
- Non adatto

**3. DATI TECNICI E LIMITAZIONI D'USO**

- **Tensione di alimentazione: 230V**, vedi targhetta dati elettrici
- **Fusibili di linea ritardati (versione 230V)**: valori indicativi (Ampere)
- **Temperatura di magazzinaggio: -10°C +40°C**

Modello	Fusibili di linea 230V 50Hz
P1= 850W	4
P1= 1100W	6

Tabella 2

	Modello	P1=850W	P1=1100W
Dati Elettrici	P1 Potenza assorbita Nominale [W]	850	1100
	P2 [W]	600	750
	Voltaggio di rete [V]	1 ~ 220-240 AC	
	Frequenza di rete [Hz]	50	
	Corrente [A]	3.88	4.58
	Condensatore [ $\mu$ F]	12.5	16
	Condensatore [Vc]	450	
Dati Idraulici	Portata max. [l/h]	3.180	3.750
	Prevalenza max. [m]	43	45
	Prevalenza max. [bar]	4.3	4.5
	Max. pressione [bar]	6	
	Max profondità di aspirazione [m/min]	8 m / < 3min	
	Pressione accensione [bar]	1.8	
	Pressione spegnimento [bar]	3.2	
	Indicatore di pressione	Manometro	Manometro
Campo d'impiego	Lungh. Cavo alimentazione [m]	1.5	
	Tipo cavo	H07 RNF	
	Grado di protezione	IP X4	
	Classe d'isolamento	F	
	Campo temperatura del liquido [°C] secondo EN 60335-2-41 per uso domestico	0 °C / +35 °C	
	Dimensione delle particelle max. [mm]	Acqua pulita	
	Max. Temperatura ambiente [°C]	+40 °C	
	DNM GAS	1" M	
Peso			
		14/16.6	14.8/17.4

Tabella 3



**La pompa non può sorreggere il peso delle tubazioni il quale dev'essere sostenuto diversamente.**

**4. GESTIONE****4.1 Immagazzinaggio**

Tutte le pompe devono essere immagazzinate in luogo coperto, asciutto e con umidità dell'aria possibilmente costante, privo di vibrazioni e polveri. Vengono fornite nel loro imballo originale nel quale devono rimanere fino al momento dell'installazione.

**4.2 Trasporto**

Evitare di sottoporre i prodotti ad inutili urti e collisioni.

**4.3 Peso e dimensioni**

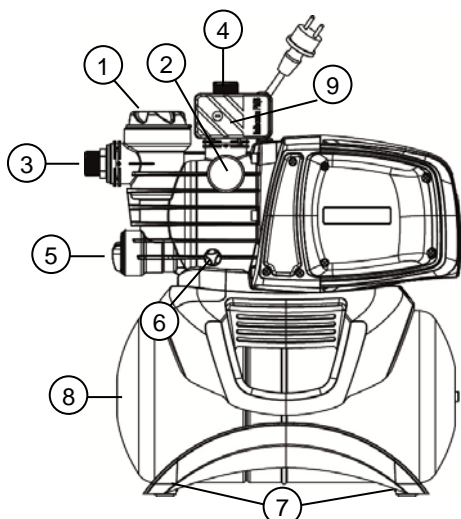
La targhetta adesiva posta sull'imballo riporta l'indicazione del peso totale dell'elettropompa e delle sue dimensioni.

**5. AVVERTENZE**

**Le pompe non devono mai essere trasportate, sollevate o fatte funzionare sospese facendo uso del cavo di alimentazione, utilizzare l'apposita maniglia.**

- La pompa non deve mai essere fatta funzionare a secco.

## 6. INSTALLAZIONE



- 1 Prefiltro
- 2 Manometro
- 3 Connessione d'aspirazione orientabile
- 4 Connessione di mandata
- 5 Valvola di non ritorno integrata
- 6 Tappo di scarico
- 7 Piedini in gomma antivibranti
- 8 Serbatoio da 18 l.
- 9 Flussostato

L'elettropompa deve essere installata in un luogo, protetto dalle intemperie e con una temperatura ambiente non superiore a 40°C.

La pompa e' dotata di piedini antivibranti, ma nel caso di installazioni fisse e' possibile rimuoverli e prevedere un ancoraggio alla base d'appoggio (7).

Evitare che le tubazioni trasmettano sforzi eccessivi alle bocche della pompa (3) e (4), per non creare deformazioni o rotture.

**È sempre buona norma posizionare la pompa il più vicino possibile al liquido da pompare.**

La pompa deve essere installata esclusivamente in posizione orizzontale.

Le tubazioni non devono mai essere di diametro interno inferiore a quello delle bocche dell'elettropompa e in aspirazione, la pompa e' dotata di filtro (1) e valvola di Non ritorno (NRV) (5).

Per profondità di aspirazione oltre i quattro metri o con notevoli percorsi in orizzontale, è consigliabile l'impiego di un tubo di aspirazione di diametro maggiore di quello della bocca aspirante dell'elettropompa. Per evitare il formarsi di sacche d'aria nel tubo di aspirazione, prevedere una leggera pendenza positiva del tubo di aspirazione verso l'elettropompa. Fig.2

Se la tubazione aspirante fosse in gomma o in materiale flessibile, controllare sempre che sia del tipo rinforzato resistente al vuoto per evitare restringimenti per effetto dell'aspirazione.

In caso di installazione fissa, si raccomanda di montare una valvola di chiusura sia sul lato aspirazione che sul lato mandata. Questo permette di chiudere la linea a monte e/o a valle della pompa utile per tutti gli interventi di manutenzione e pulizia o per i periodi in cui la pompa non viene usata.

La pompa e' dotata di ingresso rotante per facilitare l'installazione. (3) e (4)

Nel caso di tubi flessibili, se necessario, utilizzare una curva fig.1 e il kit di giardinaggio composto da tubazione in PE e kit raccordi con lancia, non forniti ma acquistabili separatamente.

In presenza di sporcizia di piccolissime dimensioni si consiglia di utilizzare, oltre al filtro integrato (1), un filtro ingresso pompa montato sul tubo di aspirazione.

- Non sottoporre il motore ad eccessivi avviamenti/ora, e' strettamente consigliato non superare i 20 avviamenti/ora.



**Il diametro del tubo aspirante deve essere maggiore o uguale al diametro della bocca dell'elettropompa, vedi Tabella 3.**

## 7. ALLACCIAMENTO ELETTRICO



Assicurarsi che la tensione di rete corrisponda a quella di targa del motore da alimentare e che sia possibile eseguire un buon collegamento di terra. **Attenersi alle indicazioni riportate in targhetta tecnica e in questo manuale tabella 3.**

**La lunghezza del cavo di alimentazione presente sulla pompa limita la distanza d'installazione, nel caso si necessiti di una prolunga assicurarsi sia dello stesso tipo (es.H05 RN-F o H07 RN-F a seconda dell'installazione) vedi tab.3.**

## 8. AVVIAMENTO



Non avviare la pompa senza averla totalmente riempita di liquido, circa 4 litri.

Nel caso si esaurisca la risorsa idrica, staccare immediatamente la spina, spegnendo la pompa. Evitare il funzionamento a secco.

1. Prima dell'avviamento controllare che la pompa sia regolarmente adescata, provvedendo al suo totale riempimento, con acqua pulita, attraverso l'apposito foro, dopo aver rimosso il tappo di carico del filtro trasparente (1), con le mani o con l'apposito strumento fornito in dotazione. Questa operazione risulta fondamentale per il perfetto funzionamento della pompa, indispensabile perché la tenuta meccanica risulti ben lubrificata. **Il funzionamento a secco provoca danni irreparabili alla tenuta meccanica.**
2. Il tappo di carico dovrà poi essere riavvitato accuratamente fino allo stop (1).
3. Inserire la spina del cavo di alimentazione in una presa di corrente a 230 V. **Attenzione!** Il motore della pompa si avvierà immediatamente, l'acqua inizierà ad uscire dopo un tempo massimo di 3 minuti, che dipenderà dalla profondità del livello dell'acqua, nel pozzo o cisterna.

4. Al raggiungimento della pressione massima la pompa si disattiva automaticamente. Se, utilizzando acqua, la pressione scende sotto la pressione minima la pompa si attiva automaticamente. Vedi Tab.3.
5. Per spegnere definitivamente la pompa staccare la spina del cavo di alimentazione.



In caso di problemi di adescamento, ripetere l'operazione fino a quando tutta l'aria nell'aspirazione viene completamente eliminata.

## 9. PRECAUZIONI

**PERICOLO DI GELO:** quando la pompa rimane inattiva a temperatura inferiore a 0°C, è necessario assicurarsi che non ci siano residui d'acqua che ghiacciando possano creare incrinature delle parti plastiche.

Se la pompa è stata utilizzata con sostanze che tendono a depositarsi, o con acqua clorata risciacquare dopo l'uso, con un potente getto d'acqua in modo da evitare il formarsi di depositi od incrostazioni che tenderebbero a ridurre le caratteristiche della pompa.

## 10. MANUTENZIONE E PULIZIA

L'elettropompa nel funzionamento normale non richiede alcun tipo di manutenzione. In ogni caso tutti gli interventi di riparazione e manutenzione si devono effettuare solo dopo aver scollegato la pompa dalla rete di alimentazione. Quando si fa ripartire la pompa, assicurarsi che sia stata rimontata a regola d'arte, per non creare pericolo a cose e persone.

### 10.1 Pulizia del filtro di aspirazione

(Fig.3)

- Disinserire l'alimentazione elettrica della pompa.
- Far drenare la pompa, aprendo il tappo di scarico (6), avendo prima chiuso le saracinesche a monte (se presenti)
- Svitare il coperchio della camera del filtro, con le mani o con l'apposito accessorio in dotazione
- Estrarre dall'alto l'unità di filtro
- Sciacquare il bicchiere sotto l'acqua corrente e pulire il filtro con una spazzola morbida.
- Rimontare il filtro eseguendo le operazioni in senso inverso.

### 10.2 Pulizia della NRV

(Fig.4)

- Disinserire l'alimentazione elettrica della pompa.
- Rimuovere il tappo della NRV (5) con l'accessorio fornito in dotazione
- Togliere la valvola di ritegno NRV e pulirla da eventuale sporcizia fig.9
- Assemblare le parti in senso opposto alla sequenza di smontaggio.

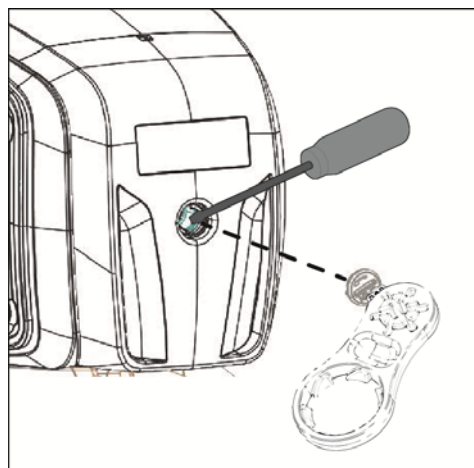
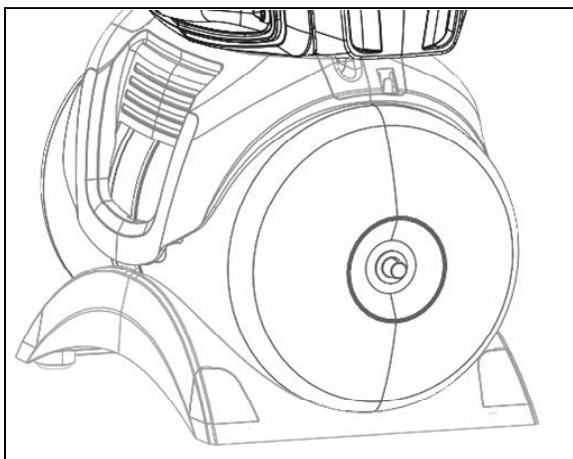
## 11. RICERCA GUASTI



Prima di iniziare la ricerca guasti è necessario interrompere il collegamento elettrico della pompa (togliere la spina dalla presa). Se il cavo di alimentazione o la pompa in qualsiasi sua parte elettrica è danneggiata l'intervento di riparazione o sostituzione deve essere eseguito dal Costruttore o dal suo servizio di assistenza tecnica o da una persona con qualifica equivalente in modo da prevenire ogni rischio.

INCONVENIENTI	VERIFICHE (possibili cause)	RIMEDI
1. Il motore non parte e non genera rumori.	A. Verificare le connessioni elettriche. B. Verificare che il motore sia sotto tensione. C. Verificare i fusibili di protezione. D. Possibile intervento protezione termica	C. Se bruciati sostituirli. D. Attendere ca 20 min affinché ci sia il raffreddamento del motore. Verificare la causa che l'ha determinato ed eliminarla. <b>N.B.:</b> l'eventuale immediato ripetersi del guasto significa che il motore è in corto circuito.
2. Il motore non parte ma genera rumori.	A. Assicurarsi che la tensione di rete corrisponda a quella di targa. B. Ricercare possibili ostruzioni della pompa o del motore. C. Verificare che l'albero non sia bloccato. D. Verificare lo stato del condensatore.	C. Rimuovere le ostruzioni. D. Agire con lo strumento in dotazione per sbloccare l'albero. E. Sostituire il condensatore.
3. Il motore gira con difficoltà.	A. Assicurarsi che la tensione di alimentazione non sia insufficiente. B. Verificare possibili raschiamenti tra parti mobili e fisse.	B. Provvedere ad eliminare le cause del raschiamento.
4. La pompa non eroga.	A. La pompa non è stata adescata correttamente. B. Tubo di aspirazione con diametro insufficiente. C. Valvola di non ritorno NRV o filtro ostruiti	A. Riempire d'acqua la pompa, ed effettuare l'adescamento, prestando attenzione a far uscire l'aria svitando il tappo di sfianto B. Sostituire il tubo con uno di diametro maggiore. C. Ripulire il filtro e nel caso non sia sufficiente la NRV.

INCONVENIENTI	VERIFICHE (possibili cause)	RIMEDI
5. La pompa non adesca.	A. Aspirazione d'aria attraverso il tubo di aspirazione. B. La pendenza negativa del tubo di aspirazione favorisce la formazione di sacche d'aria.	A. Eliminare il fenomeno, controllando la tenuta delle connessioni e la tubazione di aspirazione, e ripetere l'operazione di adescamento. B. Correggere l'inclinazione del tubo di aspirazione.
6. La pompa eroga una portata insufficiente.	A. Il tubo di aspirazione e' ostruito. B. La girante è usurata o ostruita. C. Tubazione di aspirazione con diametro insufficiente.	A. Ripulire il tubo di aspirazione. B. Rimuovere le ostruzioni o sostituire i particolari usurati. C. Sostituire la tubazione con una di diametro maggiore.
7. La pompa si attiva e disattiva troppo spesso	A. Membrana del vaso d'espansione danneggiata B. La pressione del vaso d'espansione e' troppo bassa	A. Far sostituire la membrana dal servizio tecnico autorizzato. B. Caricare il vaso d'espansione, fino ad una carica di 1.6 +/-0.2 bar. Vedi Tab.3.
8. La pompa vibra con funzionamento rumoroso.	A. Verificare che la pompa e le tubazioni siano ben fissate. B. La pompa cava, cioè ha una richiesta di acqua superiore a quella che riesce a pompare. C. La pompa lavora oltre i dati di targa.	A. Fissare con maggiore cura le parti allentate. B. Ridurre l'altezza di aspirazione o controllare le perdite di carico. C. Può essere utile limitare la portata in mandata.



### RIEMPIRE D'ARIA IL VASO D'ESPANSIONE

La pressione nel vaso d'espansione deve essere di ca. 1.6 +/-0.2 bar. Viene fatta una precarica in fabbrica quindi al primo avviamento non e' necessario effettuare nessuna operazione.

Per il riempimento dell'aria è necessaria una pompa ad aria o un dispositivo per il gonfiaggio per pneumatici con indicatore di pressione (manometro).

1. Svitare il coperchio protettivo.
2. Applicare la pompa ad aria o il dispositivo di gonfiaggio per pneumatici alla valvola della caldaia, pompare aria fino a quando il manometro indica ca. 1.6 +/-0.2 bar.
3. Riavvitare il coperchio protettivo.

### 12. GARANZIA



**Qualsiasi modifica non autorizzata preventivamente, solleva il costruttore da ogni tipo di responsabilità. Tutti i pezzi di ricambio utilizzati nelle riparazioni devono essere originali e tutti gli accessori devono essere autorizzati dal costruttore, in modo da poter garantire la massima sicurezza delle macchine e degli impianti su cui queste possono essere montate.**

Questo prodotto è coperto da garanzia legale (nella Comunità Europea per 24 mesi a partire dalla data di acquisto) relativamente a tutti i difetti imputabili a vizi di fabbricazione o di materiale impiegato.

Il prodotto in garanzia potrà essere, a discrezione, o sostituito con uno in perfetto stato di funzionamento o riparato gratuitamente qualora vengano osservate le seguenti condizioni:

- il prodotto sia stato adoperato in modo corretto e conforme alle istruzioni e nessun tentativo di riparazione sia stato eseguito dall'acquirente o da terzi.
- il prodotto sia stato consegnato nel punto vendita di acquisto, allegando il documento che attesta l'acquisto (fattura o scontrino fiscale) e una breve descrizione del problema riscontrato.

La girante e le parti soggette a usura, non rientrano nella garanzia. L'intervento in garanzia non estende in nessun caso il periodo iniziale.

# INHALT

<b>1. ANWENDUNGEN</b> .....	<b>11</b>
<b>2. PUMPBARE FLÜSSIGKEITEN</b> .....	<b>11</b>
<b>3. TECHNISCHE DATEN UND EINSCHRÄNKUNGEN</b> .....	<b>12</b>
<b>4. HANDHABUNG</b> .....	<b>12</b>
4.1 Lagerung .....	12
4.2 Transport.....	12
4.3 Gewicht und Abmessungen .....	12
<b>5. HINWEISE</b> .....	<b>12</b>
<b>6. INSTALLATION</b> .....	<b>13</b>
<b>7. ELEKTROANSCHLUSS</b> .....	<b>13</b>
<b>8. EINSCHALTEN</b> .....	<b>13</b>
<b>9. VORSICHTSMASSNAHMEN</b> .....	<b>14</b>
<b>10. WARTUNG UND REINIGUNG</b> .....	<b>14</b>
10.1 Reinigung des Ansaugfilters.....	14
10.2 Reinigung des Rückschlagventils.....	14
<b>11. STÖRUNGSSUCHE</b> .....	<b>14</b>
<b>DAS AUSDEHNUNGSGEFÄß MIT LUFT FÜLLEN</b> .....	<b>15</b>
<b>12. GARANTIE</b> .....	<b>16</b>

## HINWEISE



Vor der Installation müssen sämtliche Unterlagen sorgfältig gelesen werden:



Vor jeder Arbeit am Gerät den Netzstecker ziehen. Ein Trockenlauf der Pumpe ist unbedingt zu vermeiden.



Die Pumpe gegen Witterungseinflüsse schützen.



**Überlastschutz.** Die Pumpe verfügt über einen Motorschutzschalter. Bei einer eventuellen Überhitzung des Motors schaltet der Motorschutzschalter die Pumpe automatisch aus. Nach einer Abkühlzeit von zirka 15-20 Minuten läuft die Pumpe automatisch wieder an. Nach Auslösen des Motorschutzschalters muss unbedingt nach der Ursache gesucht und diese beseitigt werden. Siehe Kapitel „Fehlersuche“.

## 1. ANWENDUNGEN

Selbstansaugende Kreiselpumpen mit ausgezeichneter Ansaugleistung, auch bei Luft in der Ansaugleitung. Besonders geeignet für die Wasserversorgung und Druckerhöhung in abgelegenen Häusern. Praktisch für die kleine Landwirtschaft, Gemüseplantagen und Gärten, Notfälle im Haushalt und ähnliche Anwendungen. Dank ihrer kompakten, handlichen Form wird dieser Pumpentyp auch als tragbare Pumpe für Notfälle eingesetzt, wie zum Beispiel zur Wasserentnahme aus Tanks oder Gewässern.



Gemäß der einschlägigen Unfallschutzvorschriften dürfen diese Pumpen nicht in Schwimmbecken, Teichen, Wasserbecken eingesetzt werden, in denen sich Personen aufhalten, und auch nicht zum Pumpen von Kohlenwasserstoffen (Benzin, Gasölen, Heizölen, Lösemittel, usw.). Vor dem erneuten Einlagern muss das Gerät gereinigt werden. Siehe Kapitel „Wartung und Reinigung“.

## 2. PUMPBARE FLÜSSIGKEITEN

Sauber, ohne Fest- oder Schleifkörper, nicht aggressiv.

Frischwasser	•
Regenwasser (filtriert)	•
Klares Abwasser	○
Schmutzwasser	○
Brunnenwasser (filtriert)	•
Wasser aus Flüssen und Seen (filtriert)	•
Trinkwasser	•

Tabelle 1

- Geeignet
- Nicht geeignet

**3. TECHNISCHE DATEN UND EINSCHRÄNKUNGEN**

- **Versorgungsspannung: 230V**, siehe Schild der elektrischen Daten
- **Träge Schmelzsicherungen (Version 230V):** hinweisende Werte (Ampere)
- **Lagertemperatur:** -10°C +40°C

Modell	Schmelzsicherungen 230V 50Hz
P1 / 850 W	4
P1 / 1100 W	6

Tabelle 2

	Modell	P1 / 850 W	P1 / 1100 W
Elektrische Daten	P1 Nominale Leistungsaufnahme [W]	850	1100
	P2 [W]	600	750
	Netzspannung [V]	1 ~ 220-240 AC	
	Netzfrequenz [Hz]	50	
	Strom [A]	3.88	4.58
	Kondensator [µF]	12.5	16
	Kondensator [VC]	450	
Hydraulikdaten	Max. Fördermenge [l/h]	3.180	3.750
	Max. Förderhöhe [m]	43	45
	Max. Förderhöhe [bar]	4.3	4.5
	Max. Druck [bar]	6	
	Max. Ansaugtiefe [m/min]	8 m / < 3 min	
	Einschaltdruck [bar]	1.8	
	Abschaltdruck [bar]	3.2	
	Druckanzeiger	Manometer	Manometer
Anwendungsgebiet	Länge Stromkabel [m]	1.5	
	Kabeltyp	H07 RNF	
	Schutzgrad	IP X4	
	Isolierklasse	F	
	Temperaturbereich des Fördermediums [°C] gemäß EN 60335-2-41 für den Hausgebrauch	0 °C / +35 °C	
	Max. Größe der Partikel [mm]	Sauberes Wasser	
	Max. Umgebungstemperatur [°C]	+40 °C	
Gewicht	DNM GAS	1" M	
	Netto-/Bruttogewicht ca. [kg]	14/16.6	14.8/17.4

Tabelle 3



**Die Pumpe kann das Gewicht der Rohre nicht tragen, die folglich auf andere Weise abgestützt werden müssen.**

**4. HANDHABUNG**

**4.1 Lagerung**

Alle Pumpen müssen an einem überdachten, trockenen, staub- und vibrationsfreien Ort mit möglichst konstanter Luftfeuchtigkeit gelagert werden. Sie werden in ihrer Originalverpackung geliefert, in der sie bis zum Augenblick der Installation verbleiben müssen.

**4.2 Transport**

Unnötige Schlägeinwirkungen und Kollisionen vermeiden.

**4.3 Gewicht und Abmessungen**

Dem Klebeetikett auf der Verpackung kann das Gesamtgewicht und die Größe der Elektropumpe entnommen werden.

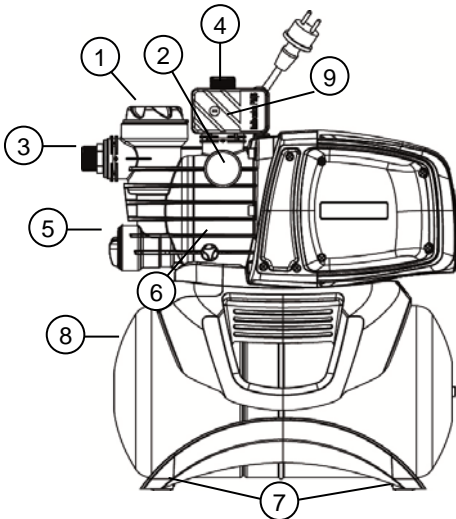
**5. HINWEISE**



**Pumpen dürfen nie am Stromkabel hängend gezogen, gehoben oder betrieben werden. Dazu den speziellen Griff verwenden.**

- Die Pumpe darf niemals trocken laufen.

## 6. INSTALLATION



- 1 Vorfilter
- 2 Manometer
- 3 Schwenkbarer Sauganschluss
- 4 Druckanschluss
- 5 Integriertes Rückschlagventil
- 6 Ablassstopfen
- 7 Schwingungsdämpfer aus Gummi
- 8 18 l Tank
- 9 Strömungswächter

Die Elektropumpe muss an einem gegen Witterungseinflüsse geschützten Ort mit einer Umgebungstemperatur von höchstens 40°C installiert werden.

Die Pumpe ist mit schwingungsdämpfenden Füßen versehen, die im Falle von bleibender Installation jedoch abgenommen und durch eine Verankerung der Auflagefläche ersetzt werden können (7).

Es muss vermieden werden, dass die Rohrleitungen die Pumpenmündungen (3) und (4) belasten, weil sonst Deformationen oder andere Beschädigungen entstehen können.

**Es empfiehlt sich die Pumpe stets so nahe wie möglich am Brunnen zu positionieren.**

Die Pumpe darf ausschließlich in waagrechter Position installiert werden.

Die Rohrleitungen dürfen auf keinen Fall einen kleineren Durchmesser haben, als jener der Pumpenmündungen; an der Saugleitung ist die Pumpe mit einem Filter (1) und Rückschlagventil (NRV) (5) ausgestattet.

Für Ansaughöhen von über vier Metern oder bei beträchtlichen horizontalen Verläufen empfiehlt sich die Verwendung eines Saugrohrs mit größerem Durchmesser als dem der Saugmündung der Pumpe. Eine leichte positive Neigung des Saugrohrs in Richtung Elektropumpe vorsehen, damit sich keine Luftsäcke bilden. Abb.2

Falls die Saugleitung aus Gummi oder einem anderen flexiblen Material sein sollte, muss unbedingt sichergestellt werden, dass dieses verstärkt ist, damit durch den Saugeffekt keine Einschnürungen entstehen können.

Bei festen Installationen sollte an Saug- und Druckseite ein Absperrventil montiert werden. Damit kann die Leitung für etwaige Wartungsarbeiten oder für längeren Stillstand vor und/oder nach der Pumpe abgesperrt werden.

Die Pumpe ist mit einem **schwenkbaren Sauganschluss** ausgestattet, um die Installation zu erleichtern. (3) und (4)

Im Falle von flexiblen Rohren sollte im Bedarfsfall eine Kurve Abb.1 und das Gartenset verwendet werden, das aus einem PE Schlauch mit Anschlüssen und Gartenbrause besteht, die separat erworben werden können.

Bei sehr kleinen Schmutzpartikeln empfiehlt es sich zusätzlich zum eingebauten Filter (1) am Pumpeneingang einen Filter vorzusehen, der am Saugrohr montiert wird.

- Den Motor nicht zu vielen Anlaufvorgängen pro Stunde aussetzen; es empfiehlt sich unbedingt 20 Anlaufvorgänge pro Stunde nicht zu überschreiten.



**Der Durchmesser des Saugrohrs muss gleich oder größer sein als der Durchmesser der Saugmündung der Pumpe, siehe Tabelle 3.**

## 7. ELEKTROANSCHLUSS



Sicherstellen, dass die Netzspannung mit den Daten des Typenschildes des zu versorgenden Motors übereinstimmt und eine adäquate Erdung möglich ist. **Die Anweisungen am Typenschild und in diesem Handbuch befolgen.**

**Die Länge des Pumpenkabels begrenzt den Installationsabstand; wird eine Verlängerung benötigt, muss diese vom selben Typ sein** (z.B. H05 RN-F oder H07 RN-F, je nach Installation) siehe Tab.3.

## 8. EINSCHALTEN



Vor dem Einschalten muss die Pumpe ganz mit zirka 4 Litern gefüllt sein.

Wenn das Wasser verbraucht ist, sofort den Stecker ziehen und die Pumpe ausschalten. Trockenlauf vermeiden.

1. Vor dem Einschalten kontrollieren, ob die Pumpe korrekt ansaugt und über **die spezielle Öffnung** vollkommen mit sauberem Wasser füllen, nachdem der Füllstopfen des durchsichtigen Filters (1) von Hand oder mit dem mitgelieferten Werkzeug abgenommen wurde. Dieser Vorgang ist für die einwandfreie Funktion der Pumpe sehr wichtig und für die korrekte Schmierung der mechanischen Dichtung unerlässlich. **Trockenlauf kann die mechanische Dichtung irreparabel beschädigen.**
2. Der Füllstopfen muss anschließend wieder bis zum Anschlag eingeschraubt werden (1).



3. Den Stecker des Stromkabels in eine 230 V Steckdose einstecken. **Achtung!** Der Pumpenmotor läuft umgehend an, das Wasser beginnt spätestens nach 3 Minuten zu fließen, wobei diese Zeitspanne von der Höhe des Wasserstands in dem Schacht oder der Zisterne abhängt.
4. Sobald der Höchstdruck erreicht ist, schaltet die Pumpe automatisch ab. Wenn der Druck bei Betrieb mit Wasser bis unter den Mindestdruck abfällt, schaltet sich die Pumpe automatisch ein. Siehe Tab.3.
5. Um die Pumpe ganz auszuschalten, den Stecker abziehen.



Falls es Probleme beim Ansaugen geben sollte, diesen Vorgang so oft wiederholen, bis die gesamte Luft am Saugteil beseitigt ist.

## 9. VORSICHTSMASSNAHMEN

**FROSTGEFAHR:** Wenn die Pumpe bei Temperaturen unter 0°C längere Zeit nicht betrieben werden soll, muss das gesamte noch enthaltene Wasser entleert werden, weil es sonst vereisen und die Kunststoffteile beschädigen kann.

Wenn die Pumpe mit gechlortem Wasser oder mit Substanzen betrieben wurde, die zu Ablagerungen neigen, muss sie nach dem Gebrauch mit einem kräftigen Wasserstrahl gespült werden, damit sich keine Ablagerungen oder Verkrustungen bilden, die die Leistung der Pumpe mindern würden.

## 10. WARTUNG UND REINIGUNG

Bei normalem Betrieb erfordert die Pumpe keinerlei Wartung. In jedem Fall dürfen alle Reparatur- und Wartungsarbeiten ausschließlich bei spannungslos gemachter Pumpe durchgeführt werden. Bevor die Pumpe wieder eingeschaltet wird, stets sicherstellen, dass alles fachgerecht eingebaut wurde, damit jedes Risiko für Personen oder Sachen ausgeschlossen wird.

### 10.1 Reinigung des Ansaugfilters

(Abb.3)

- Die Spannungsversorgung der Pumpe unterbrechen.
- Um die Pumpe zu entleeren, zunächst die vorgeschalteten Schieber (sofern vorhanden) schließen und dann den Ablassstopfen (6) öffnen.
- Den Deckel der Filterkammer Von Hand oder mit dem speziellen Werkzeug aufschrauben.
- Die Filtereinheit von oben herausziehen.
- Den Becher unter fließendem Wasser ausspülen und den Filter mit einer weichen Bürste säubern.
- Den Filter in umgekehrter Reihenfolge wieder einbauen.

### 10.2 Reinigung des Rückschlagventils

(Abb.4)

- Die Spannungsversorgung der Pumpe unterbrechen.
- Mit dem mitgelieferten Werkzeug den Deckel des Rückschlagventils NRV (5) ausbauen.
- Das Rückschlagventil NRV ausbauen und von etwaigen Verschmutzungen (Abb.9) befreien.
- Die Teile in umgekehrter Reihenfolge wieder zusammenbauen.

## 11. STÖRUNGSSUCHE

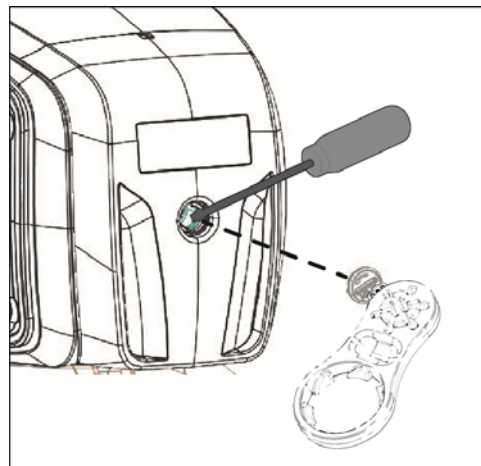
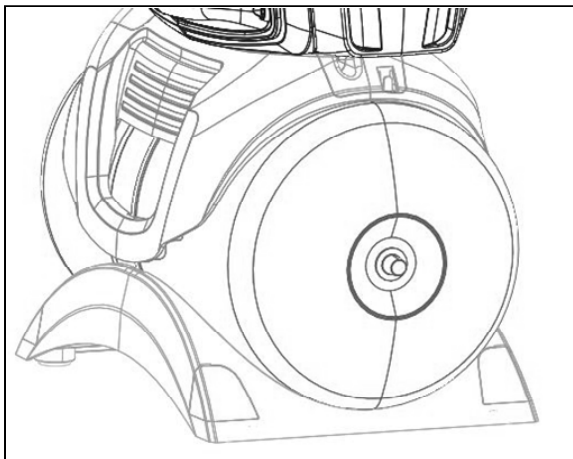


**Vor der Fehlersuche muss die Pumpe vom Stromnetz getrennt werden (Netzstecker ziehen). Falls Stromkabel oder elektrische Teile der Pumpe beschädigt sind, müssen Reparaturen von der Herstellerfirma oder seinem technischen Kundendienst bzw. von einer entsprechend qualifizierten Person durchgeführt werden, damit jedes Risiko ausgeschlossen wird.**

STÖRUNGEN	KONTROLLEN (mögliche Ursachen)	ABHILFEN
1. Der Motor läuft nicht an und erzeugt keinerlei Geräusch.	A. Die Elektroverbindungen kontrollieren. B. Sicherstellen, dass der Motor unter Spannung steht. C. Die Schmelzsicherungen prüfen. D. Der Wärmeschutzschalter wurde vielleicht ausgelöst	C. Falls durchgebrannt, ersetzen. D. Zirka 20 Minuten abwarten, bis der Motor abgekühlt ist. Die Ursache auffinden und beseitigen. NB: falls die Störung unverzüglich danach erneut auftritt, ist der Motor wahrscheinlich kurzgeschlossen.
2. Der Motor läuft nicht an und erzeugt keinerlei Geräusch.	A. Kontrollieren, ob die Netzspannung dem Wert des Typenschildes entspricht. B. Pumpe und Motor auf etwaige Verstopfungen kontrollieren. C. Prüfen, ob die Welle blockiert ist. D. Den Zustand des Kondensators prüfen.	C. Verstopfungen beseitigen. D. Die Welle mit dem speziellen Werkzeug befreien. E. Den Kondensator auswechseln.
3. Der Motor dreht schwer.	A. Sicherstellen, dass die Versorgungsspannung ausreichend ist. B. Kontrollieren, ob bewegliche und feste Teile aneinander streifen.	B. Die Ursachen beseitigen.

DEUTSCH

STÖRUNGEN	KONTROLLEN (mögliche Ursachen)	ABHILFEN
4. Die Pumpe fördert nicht.	A. Die Pumpe zieht nicht korrekt. B. Zu kleiner Durchmesser des Saugrohrs. C. Rückschlagventil (NRV) oder Filter verstopft	A. Die Pumpe füllen und Wasser ziehen lassen, so dass die Luft durch das Entlüftungsventil austreten kann. B. Ein Rohr mit größerem Durchmesser verwenden. C. Den Filter und gegebenenfalls auch das NRV säubern.
5. Die Pumpe fördert nicht.	A. Das Saugrohr saugt Luft an. B. Das negative Gefälle des Saugrohrs begünstigt die Bildung von Luftsäcken.	A. Das Phänomen beseitigen, indem die Dichtigkeit der Anschlüsse und die Saugleitung kontrolliert werden, und das Wasserziehen wiederholen. B. Das Gefälle der Saugleitung korrigieren.
6. Die Fördermenge der Pumpe ist zu gering.	A. Das Saugrohr ist verstopft. B. Das Pumpenrad ist verschlissen oder verstopft. C. Zu kleiner Durchmesser der Saugleitung.	A. Saugrohr reinigen. B. Verstopfung beseitigen oder die verschlissenen Teile ersetzen. C. Ein Rohr mit größerem Durchmesser verwenden.
7. Die Pumpe schaltet zu häufig ein und aus	A. Membran des Ausdehnungsgefäßes beschädigt B. Druck des Ausdehnungsgefäßes zu niedrig	A. Membran von einem autorisierten technischen Kundendienst ersetzen lassen. B. Das Ausdehnungsgefäß bis auf 1.6 +/- 0.2 bar füllen. Siehe Tab.3.
8. Die Pumpe erzeugt Vibrationen und läuft sehr laut.	A. Sicherstellen, dass die Pumpe und die Leitungen sicher befestigt sind. B. Die Pumpe erzeugt Kavitation, das heißt sie fordert mehr Wasser an, als sie pumpen kann. C. Der Pumpenbetrieb überschreitet die Daten des Typenschildes.	A. Lockere Teile sorgfältig fixieren. B. Saughöhe verringern oder Druckverluste kontrollieren. C. Eventuell die Fördermenge am Vorlauf begrenzen.



**DAS AUSDEHNUNGSGEFÄß MIT LUFT FÜLLEN**

Der Druck im Ausdehnungsgefäß muss zirka 1.6 +/-0.2 bar betragen. Das Gefäß wird im Werk vorgefüllt und folglich ist vor der ersten Inbetriebnahme keinerlei Eingriff erforderlich.

Für das Füllen mit Luft ist eine Luftpumpe oder eine Vorrichtung zum Aufpumpen von Reifen mit Druckanzeige (Manometer) notwendig.

1. Die Schutzabdeckung ausschrauben
2. Die Luftpumpe oder die Vorrichtung zum Aufpumpen von Reifen am Ventil des Gefäßes anbringen und Luft einblasen, bis das Manometer zirka 1.6 +/-0.2 bar anzeigt.
3. Die Schutzabdeckung wieder einschrauben

## 12. GARANTIE



**Alle nicht zuvor genehmigten Änderungen der Pumpe entheben den Hersteller von jeder Haftpflicht. Alle für Reparaturen verwendeten Ersatzteile müssen Originalteile sein und alle Zubehöre müssen vom Hersteller autorisiert sein, weil nur so die größtmögliche Sicherheit der Maschinen und Anlagen gewährleistet werden kann.**

Dieses Produkt verfügt über eine gesetzliche Garantiezeit (innerhalb der EG sind das 24 Monate ab dem Kaufdatum), die sämtliche auf Fabrikations- oder Materialfehler zurückzuführende Mängel deckt.

Das unter Garantie stehende Produkt kann nach Dafürhalten des Herstellers entweder durch ein einwandfrei funktionierendes Produkt ersetzt oder kostenlos repariert werden;

hierzu müssen die folgenden Bedingungen erfüllt sein:

- Das Produkt muss korrekt und gemäß den Anleitungen benutzt worden sein und es dürfen keinerlei Reparaturversuche seitens des Käufers oder dritten Personen unternommen worden sein.
- Das Produkt muss dem Händler zusammen mit dem Kaufbeleg (Rechnung oder Kassenbon) und einer kurzen Beschreibung des aufgetretenen Problems übergeben werden.

Das Laufrad und die Verschleißteile sind nicht von der Garantie gedeckt. Eine Reparatur oder der Ersatz unter Garantie verlängert in keinem Fall die ursprüngliche Garantiezeit.

# TABLE DES MATIÈRES

1. Applications .....	17
2. LIQUIDES POMPABLES .....	17
3. DONNÉES TECHNIQUES ET LIMITES D'UTILISATION .....	18
4. GESTION.....	18
4.1 Stockage .....	18
4.2 Transport.....	18
4.3 Poids et dimensions .....	18
5. AVERTISSEMENTS.....	18
6. INSTALLATION .....	19
7. BRANCHEMENT ÉLECTRIQUE .....	19
8. DÉMARRAGE .....	19
9. PRÉCAUTIONS.....	20
10. ENTRETIEN ET LAVAGE.....	20
10.1 Nettoyage du filtre d'aspiration.....	20
10.2 Nettoyage du clapet anti-retour NRV (non return valve).....	20
11. RECHERCHE PANNES.....	20
REEMPLIR D'AIR LE VASE D'EXPANSION.....	21
12. GARANTIE.....	22

## AVERTISSEMENTS



Avant de procéder à l'installation, lire attentivement toute la documentation:



Avant chaque intervention, débrancher la fiche. Il est strictement interdit de la faire fonctionner à sec.



Protéger l'électropompe contre les intempéries.



Protection contre la surcharge La pompe est munie d'une protection thermique. En cas de surchauffe éventuelle du moteur, la protection intervient en éteignant automatiquement la pompe. Le temps de refroidissement est d'environ 15-20 min puis la pompe se rallume automatiquement. Après l'intervention de la protection thermique, il faut absolument en identifier la cause et l'éliminer. Consulter la section Recherche des Pannes.

## 1. APPLICATIONS

Pompes centrifuges auto-amorçantes à jet avec une excellente capacité d'aspiration même en présence de bulles d'air. Particulièrement indiquées pour l'alimentation hydrique et le petit domestique. Appropriées pour la petite agriculture et les applications de jardinage, les urgences domestiques et les loisirs en général. En domestique, elles peuvent servir à l'alimentation d'un WC ou d'une machine à laver le linge par tir d'un puits, d'une source ou d'une citerne d'eau d'appoint. Pompes automatisées et équipées de réservoirs à diaphragme brevetés limitant les besoins de maintenance.



Ces pompes ne peuvent pas être utilisées dans des piscines, étangs, bassins en présence de personnes, ou pour le pompage d'hydrocarbures (essence, gazole, huiles combustibles, solvants, etc.) conformément aux normes de prévention des accidents en vigueur en la matière. Avant de les ranger, il faut prévoir une étape de nettoyage. Voir chapitre « Entretien et Nettoyage ».

## 2. LIQUIDES POMPABLES

Propre sans corps solide ou abrasif, sans calcaire ou minéralisation excessive

Eaux fraîches	•
Eau de pluie (Filtrée)	•
Eaux usées claires	○
Eaux usées	○
Eau de fontaine (Filtrée)	•
Eau de rivière ou lac (Filtrée)	•
Eau potable	•

Tableau 1

- Adaptée
- Non adaptée

**3. DONNÉES TECHNIQUES ET LIMITES D'UTILISATION**

- **Tension d'alimentation: 230V** voir plaquette des données électriques
- **Fusibles de ligne retardés (version 230V):** valeurs indicatives (Ampères)
- **Température de stockage:** -10°C +40°C

Modèle	Fusibles de ligne 230V 50Hz
P1= 850 W	4
P1= 1.100 W	6

Tableau 2

	Modèle	P1=850W	P1=1100W
Données électriques	P1 Puissance absorbée nominale [W]	850	1100
	P2 [W]	600	750
	Tension de réseau [V]	1 ~ 220-240 AC	
	Fréquence de réseau [Hz]	50	
	Courant [A]	3.88	4.58
	Condensateur [µF]	12.5	16
	Condensateur [Vc]	450	
Données hydrauliques	Débit max. [l/h.]	3.180	3.750
	Hauteur totale nominale max. [m]	43	45
	Hauteur totale nominale max. [bar]	4.3	4.5
	Résistance à la pression [bar]	6	
	Profondeur max. d'aspiration [m/min]	8 m / < 3min	
	Pression d'allumage [bar]	1.8	
	Pression d'arrêt [bar]	3.2	
	Indicateur de pression	Manomètre	Manomètre
Champ d'utilisation	Long. Câble alimentation [m]	1.5	
	Type câble	H07 RNF	
	Degré de protection du moteur	IP X4	
	Classe d'isolation	F	
	Champ température du liquide [°C] selon la norme EN 60335-2-41 pour usage domestique	0 °C / +35 °C	
	Dimension max. des particules	Eau propre	
	Max. Température environnementale [°C]	+40 °C	
Poids	DNM GAZ	1" M	
	Poids net/Lourd env. [kg]	14/16.6	14.8/17.4

Tableau 3



Veillez à ce qu'aucune contrainte ne soit exercée par le poids des tuyauteries sur la pompe elle même (fig 2) .

**4. GESTION****4.1 Stockage**

Toutes les pompes doivent être stockées dans un endroit couvert, sec et correctement ventilé, à l'abri du risque de condensation, exempt de vibrations et de poussières. Elles sont fournies dans leur emballage d'origine dans lequel elles doivent rester jusqu'au moment de l'installation.

**4.2 Transport**

Éviter de soumettre les produits à des chocs et collisions.

**4.3 Poids et dimensions**

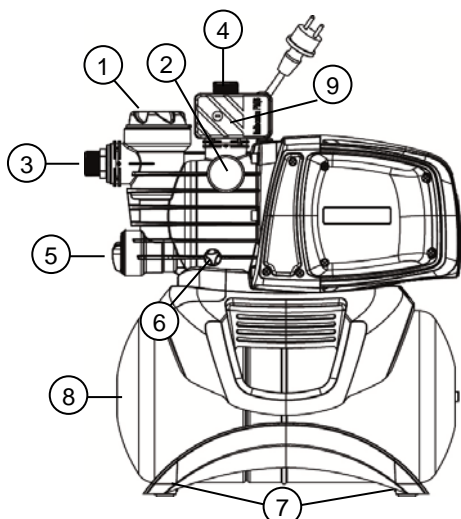
La plaque adhésive placée sur l'emballage indique le poids total de l'électropompe et ses dimensions.

**5. AVERTISSEMENTS**

Les pompes ne doivent jamais être transportées, soulevées ou fonctionner suspendues en utilisant le câble d'alimentation ; utiliser la poignée.

- La pompe ne doit jamais fonctionner à sec.

## 6. INSTALLATION



- 1 Préfiltre
- 2 Manomètre
- 3 Branchement d'aspiration orientable
- 4 Branchement de refoulement
- 5 Clapet anti-retour intégré (NRV)
- 6 Bouchon de vidange
- 7 Pieds en caoutchouc anti-vibrations
- 8 Réservoir de 18 l.
- 9 Pressostat

L'électropompe doit être installée dans un lieu, protégée des intempéries et avec une température ambiante ne dépassant pas les 40 °C.

La pompe est équipée de pieds anti-vibrations, mais en cas d'installations fixes, il est possible de les retirer et de prévoir un ancrage à la base d'appui (7).

Éviter que les tuyauteries transmettent des efforts excessifs aux raccords de la pompe (3) et (4), pour éviter les déformations ou les ruptures.

**Il est toujours conseillé de positionner la pompe le plus près possible du liquide à pomper.**

La pompe doit être installée exclusivement en position horizontale.

Les tuyauteries ne doivent jamais avoir un diamètre interne inférieur à celui des raccords de l'électropompe. En aspiration, la pompe est équipée d'un filtre (1) et d'un clapet anti-retour (5).

Pour des profondeurs d'aspiration dépassant les quatre mètres ou avec de longs parcours à l'horizontale, il est conseillé d'utiliser un tuyau d'aspiration d'un diamètre supérieur à celui du raccord d'aspiration de l'électropompe. Pour éviter la formation de poches d'air dans le tuyau d'aspiration, prévoir une légère pente positive du tuyau d'aspiration vers l'électropompe. Fig.2

Si la tuyauterie aspirante est en caoutchouc ou en matière flexible, contrôlez toujours qu'elle soit de type renforcé résistant au vide pour éviter des étranglements / aplatissements par effet de l'aspiration.

Pour une installation fixe, il est recommandé de monter une vanne de fermeture aussi bien sur le côté de l'aspiration que sur le côté de refoulement. Cela permet de fermer la ligne en amont et/ou en aval de la pompe utile pour toutes les interventions d'entretien et de nettoyage ou pour les périodes pendant lesquelles la pompe n'est pas utilisée. La vanne placée au refoulement permettra en outre d'assurer la coupure de la pompe ou son redémarrage selon la consommation d'eau. La pompe est équipée d'une entrée rotative pour faciliter l'installation (3) et (4).

En présence de particules très fines, nous vous conseillons d'utiliser, en plus du filtre intégré (1), un filtre entrée de pompe monté sur le tuyau d'aspiration.

- Ne pas soumettre le moteur à un nombre de démarrages/heure excessif ; il est fortement conseillé de ne pas dépasser les 20 démarrages/heure.



**Le diamètre du tuyau d'aspiration doit être supérieur ou égal au diamètre de la bouche de l'électropompe, voir Tableau 3.**

## 7. BRANCHEMENT ÉLECTRIQUE



S'assurer que la tension de secteur correspond à celle de la plaque du moteur à alimenter et qu'il est possible D'EFFECTUER UNE MISE À LA TERRE EFFICACE. **Respecter les indications présentes sur la plaque technique et dans le tableau 3 de ce manuel.**

**La longueur du câble d'alimentation présente sur la pompe limite la distance d'installation ; en cas de besoin de rallonge, assurez-vous qu'elle soit du même type (par ex.H05 RN-F ou H07 RN-F en fonction de l'installation) voir tab.3.**

## 8. DÉMARRAGE



Ne pas démarrer la pompe sans l'avoir entièrement remplie d'eau, environ 4 litres.

Si l'eau devait s'épuiser, débrancher immédiatement la fiche, en éteignant la pompe. Éviter le fonctionnement à sec.

1. Avant le démarrage, contrôler que la pompe soit normalement amorcée, en procédant à son remplissage total, avec de l'eau propre, par l'intermédiaire du bouchon de chargement du filtre transparent (1) (à ouvrir à la main ou avec la clé fournie). Cette opération est fondamentale pour le parfait fonctionnement de la pompe et indispensable pour que le joint d'étanchéité mécanique soit bien lubrifié.  
**Le fonctionnement à sec provoque des dommages irréversibles au joint d'étanchéité mécanique et à la turbine, non couverts par la garantie.**
2. Le bouchon de remplissage devra ensuite être refermé soigneusement à fond (1).
3. Insérer la fiche du câble d'alimentation dans une prise de courant à 230 V. **Attention !** Le moteur de la pompe démarrera immédiatement, l'eau commencera à sortir après un temps maximum de 3 minutes, qui dépendra de la profondeur du niveau de l'eau dans le puits ou la citerne.

4. Une fois la pression maximale atteinte, la pompe s'arrête automatiquement même si on utilise encore l'eau. Si, en utilisant l'eau, la pression descend sous la pression minimale, la pompe redémarre (les seuils démarrage/arrêt fixés en usine correspondent à la majorité des usages constatés - une modification est néanmoins possible - voir le revendeur)



En cas de problème d'amorçage, répéter la manipulation jusqu'à ce que l'air dans l'aspiration ait été totalement éliminé.

## 9. PRÉCAUTIONS

**DANGER DE GEL :** lorsque la pompe reste inactive à une température inférieure à 0 °C, il faut s'assurer qu'il n'y ait pas de résidus d'eau qui en gelant peuvent créer des fêlures des pièces en plastique.

Si la pompe a été utilisée avec des substances qui tendent à se déposer, rincer après l'utilisation à l'aide d'un puissant jet d'eau pour éviter la formation de dépôts ou d'incrustations qui auraient tendance à réduire les caractéristiques de la pompe et à l'endommager.

## 10. ENTRETIEN ET LAVAGE

L'électropompe, dans le fonctionnement normal, ne demande aucune maintenance particulière sauf le contrôle d'absence de fuites, de coulures et le nettoyage. Dans tous les cas, toutes les interventions de réparation et de maintenance ne doivent être effectuées qu'après avoir débranché la pompe. Lorsque vous faites repartir la pompe, assurez-vous qu'elle ait été remontée en bonne et due forme, pour ne pas créer de danger aux choses ou aux personnes.

### 10.1 Nettoyage du filtre d'aspiration

(Fig. 3)

- Déconnecter l'alimentation électrique de la pompe.
- Purger la pompe, en ouvrant le bouchon de vidange (6), en ayant d'abord fermé les vannes en amont (si présentes).
- Dévisser le bouchon du filtre à la main ou avec la clé fournie
- Extraire depuis le haut l'unité du filtre.
- Rincer la cartouche sous l'eau courante et nettoyer le tamis filtrant avec une brosse souple.
- Remonter le filtre en effectuant les opérations en sens inverse.

### 10.2 Nettoyage du clapet anti-retour NRV (non return valve)

(Fig. 4)

- Déconnecter l'alimentation électrique de la pompe.
- Retirer le bouchon du clapet anti-retour NRV (5) avec la clé fournie.
- Retirer le clapet anti-retour NRV et nettoyer les éventuelles saletés fig.9.
- Remonter le clapet en effectuant les opérations en sens inverse.

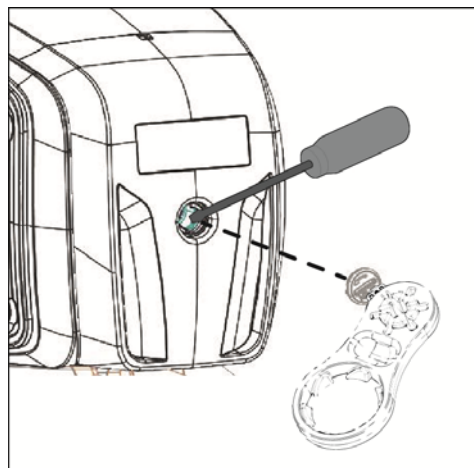
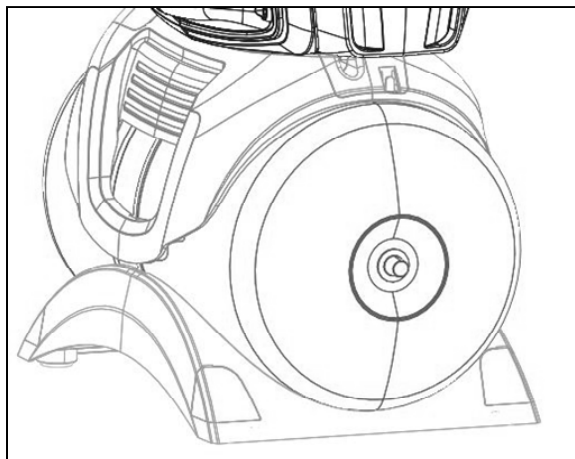
## 11. RECHERCHE PANNES



Avant de commencer la recherche des pannes, il faut interrompre l'alimentation électrique de la pompe (retirer la fiche de la prise). Si le câble d'alimentation ou un composant électrique quelconque de la pompe sont abîmés, la réparation ou le remplacement de la pièce doivent être effectués par le Constructeur ou par son service après-vente, ou bien par une personne ayant une qualification équivalente de manière à prévenir tout risque.

INCONVENIENTS	VERIFICATION (causes possibles)	REMEDES
1. Le moteur ne démarre pas et ne fait pas de bruit.	A. Vérifier les connexions électriques. B. Vérifier que le moteur est sous tension. C. Vérifier les fusibles de protection. D. Intervention possible de protection thermique.	C. S'ils sont grillés, les remplacer. D. Attendre environ 20 minutes que le moteur se soit refroidi. Vérifier la cause et l'éliminer. <b>N.B.:</b> la répétition immédiate éventuelle du problème signifie que le moteur est en court-circuit.
2. Le moteur ne démarre pas mais fait du bruit.	A. S'assurer que la tension du secteur correspond à celle de la plaque. B. Rechercher les raisons possibles d'un blocage de la pompe ou du moteur. C. Vérifier que l'arbre ne soit pas bloqué. D. Vérifier l'état du condensateur.	B. Eliminer les obstructions. C. Agir avec la clé fournie pour dévisser le capuchon et avec un tournevis débloquer l'arbre. (voir page suivante) D. Remplacer le condensateur.
3. La pompe tourne avec difficulté.	A. S'assurer que la tension d'alimentation est suffisante. B. Vérifier les frottements entre parties mobiles et parties fixes.	B. Eliminer la cause du frottement..

INCONVENIENTS	VERIFICATION (causes possibles)	REMEDES
4. La pompe ne refoule pas.	A. La pompe n'a pas été amorcée correctement. B. Tuyau d'aspiration avec diamètre insuffisant. C. Clapet anti-retour NRV ou filtre obstrués.	A. Remplir la pompe d'eau, et effectuer l'amorçage, en faisant attention à faire sortir l'air en dévissant le bouchon de purge d'air. B. Remplacer le tuyau avec un autre de diamètre supérieur. C. Nettoyer le filtre, ainsi que le clapet anti-retour NRV si besoin.
5. La pompe ne s'amorce pas.	A. Aspiration d'air à travers le tuyau d'aspiration. B. La pente négative du tuyau d'aspiration favorise la formation de poches d'air.	A. Éliminer le phénomène, en contrôlant l'étanchéité des branchements et la tuyauterie d'aspiration, et répéter l'opération d'amorçage. B. Corriger l'inclinaison du tuyau d'aspiration.
6. La pompe refoule à un débit insuffisant.	A. Le tuyau d'aspiration est obstrué. B. La roue est usée ou bouchée, ou le filtre est colmaté. C. Tuyau d'aspiration avec diamètre insuffisant..	A. Nettoyer le tuyau d'aspiration. B. Éliminer les obstructions et remplacer les pièces usées. C. Remplacer le tuyau avec un autre de diamètre supérieur.
7. La pompe s'active et se désactive trop souvent.	A. Membrane du vase d'expansion endommagée. B. La pression du vase d'expansion est trop basse C. Le réglage usine pressostat ne convient pas	A. Faire remplacer le réservoir par le service technique autorisé. B. Charger le vase d'expansion, jusqu'à une charge de 1.6 +/-0.2 bars. Voir Tab.3. C. Faire modifier le réglage.
8. La pompe vibre et a un fonctionnement bruyant.	A. Vérifier que la pompe et les tuyaux sont bien fixés. B. Il y a cavitation dans la pompe, c'est-à-dire que la demande d'eau dépasse ce que la pompe parvient à pomper. C. La pompe fonctionne au-delà des limites indiquées sur la plaque.	A. Fixer avec plus de soin les parties desserrées. B. Réduire la hauteur d'aspiration ou contrôler les pertes de charge. C. Il peut être utile de limiter le débit en refoulement.



### REEMPLIR D'AIR LE VASE D'EXPANSION

La pression dans le vase d'expansion doit être d'environ  $1,6 \pm 0,2$  bars. Une précharge est effectuée en usine donc au premier démarrage, aucune opération n'est nécessaire.

Pour le remplissage de l'air, il faut une pompe à air ou un dispositif pour le gonflage de pneumatiques avec indicateur de pression (manomètre).

1. Desserrer le couvercle de protection.
2. Appliquer la pompe à air ou le dispositif de gonflage pour pneumatiques à la valve du vase d'expansion, ajuster l'air jusqu'à ce que le manomètre indique environ  $1,6 \pm 0,2$  bar.
3. Replacer le couvercle de protection.



## 12. GARANTIE



**Toute modification non autorisée au préalable dégage le constructeur de tout type de responsabilité. Toutes les pièces de rechange utilisées dans les réparations doivent être originales et tous les accessoires doivent être autorisés par le constructeur de manière à pouvoir garantir le maximum de sécurité des machines et des installations sur lesquelles ils peuvent être montés.**

Ce produit est couvert par une garantie légale (dans la Communauté européenne pendant 24 mois à partir de la date d'achat) concernant tous les défauts imputables à des vices de fabrication ou de matériau utilisé.

Le produit en garantie pourra être, à discrétion, soit remplacé par un nouveau en parfait état de fonctionnement ou réparé gratuitement si les conditions suivantes sont observées:

- Le produit a été utilisé correctement et conformément aux instructions et qu'aucune tentative de réparation n'ait été effectuée par l'acheteur ou par des tiers.
- Le produit a été remis au point de vente d'achat, avec la documentation qui atteste l'achat (facture ou ticket fiscal) et une brève description du problème rencontré.

La roue et les pièces sujettes à l'usure ne sont pas concernées par la garantie. L'intervention sous garantie n'étend en aucun cas la durée initiale.

# ÍNDICE

<b>1. APLICACIONES.....</b>	<b>23</b>
<b>2. LÍQUIDOS QUE SE PUEDEN BOMBEAR .....</b>	<b>23</b>
<b>3. DATOS TÉCNICOS Y LÍMITES DE USO .....</b>	<b>24</b>
<b>4. GESTIÓN.....</b>	<b>24</b>
4.1 Almacenaje.....	24
4.2 Transporte.....	24
4.3 Peso y medidas.....	24
<b>5. ADVERTENCIAS .....</b>	<b>24</b>
<b>6. INSTALACIÓN .....</b>	<b>25</b>
<b>7. CONEXIÓN ELÉCTRICA .....</b>	<b>25</b>
<b>8. PUESTA EN MARCHA .....</b>	<b>25</b>
<b>9. PRECAUCIONES.....</b>	<b>26</b>
<b>10. MANTENIMIENTO Y LIMPIEZA .....</b>	<b>26</b>
10.1 Limpieza del filtro de aspiración .....	26
10.2 Limpieza de la válvula antirretorno (VA) .....	26
<b>11. Búsqueda de averías.....</b>	<b>26</b>
<b>LLENAR CON AIRE EL VASO DE EXPANSIÓN .....</b>	<b>27</b>
<b>12. Garantía .....</b>	<b>28</b>

## ADVERTENCIAS



Antes de proceder con la instalación, leer detenidamente esta documentación:



Antes de cada operación, desconectar la clavija. Está prohibido hacer funcionar la bomba en seco.



Proteger la electrobomba contra la intemperie.



No se pueden utilizar estas bombas en piscinas, estanques ni embalses con presencia de personas, y tampoco para bombear hidrocarburos (gasolina, gasóleo, aceites combustibles, disolventes, etc.), según las normas de prevención de accidentes vigentes en materia. No han sido diseñadas para un uso continuo, sino para los casos de emergencia durante un periodo limitado. Antes de guardarlas se recomienda limpiarlas. Ver el capítulo “Mantenimiento y Limpieza”.

## 1. APLICACIONES

Bombas centrífugas con autocebado de chorro, con una gran capacidad de aspiración incluso con agua con gas. Indicadas especialmente para la alimentación hídrica y presurización en casas de campo. Adecuadas para la pequeña agricultura de huertos y jardines, situaciones de emergencia domésticas y bricolaje en general. Gracias a su forma compacta y maniobrable, se utilizan como bombas portátiles para casos de emergencia, tales como la aspiración de agua de depósitos o ríos.



No se pueden utilizar estas bombas en piscinas, estanques ni embalses con presencia de personas, y tampoco para bombear hidrocarburos (gasolina, gasóleo, aceites combustibles, disolventes, etc.), según las normas de prevención de accidentes vigentes en materia. Antes de guardarlas se recomienda limpiarlas. Ver el capítulo “Mantenimiento y Limpieza”.

## 2. LÍQUIDOS QUE SE PUEDEN BOMBEAR

Limpio, sin cuerpos sólidos o abrasivos, no agresivo.

Aguas frescas	•
Agua de lluvia (filtrada)	•
Aguas claras residuales	○
Aguas sucias	○
Agua de fuente (filtrada)	•
Agua de río o lago (filtrada)	•
Agua potable	•

Tabla 1

- Apto
- No apto

### 3. DATOS TÉCNICOS Y LÍMITES DE USO

- **Tensión de alimentación: 230V** ver placa de datos eléctricos
- **Fusibles de línea retardados (versión 230V):** valores indicativos (Amperios)
- **Temperatura de almacenaje:** -10°C +40°C

Modelo	Fusibles de línea 230V 50Hz
P1= 850 W	4
P1= 1.100 W	6

Tabla 2

	Modelo	P1=850W	P1=1100W
Datos eléctricos	P1 Potencia absorbida Nominal [W]	850	1100
	P2 [W]	600	750
	Voltaje de red [V]	1 ~ 220-240 AC	
	Frecuencia de red [Hz]	50	
	Corriente [A]	3.88	4.58
	Condensador [ $\mu$ F]	12.5	16
	Condensador [Vc]	450	
Datos hidráulicos	Caudal máx. [l/h]	3.180	3.750
	Altura de elevación máx. [m]	43	45
	Altura de elevación máx. [bar]	4.3	4.5
	Presión máx. [bar]	6	
	Profundidad máx. de aspiración [m/min]	8 m / < 3min	
	Presión de encendido [bar]	1.8	
	Presión de apagado [bar]	3.2	
	Indicador de presión	Manómetro	Manómetro
Campo de utilización	Long. cable de alimentación [m]	1.5	
	Tipo de cable	H07 RNF	
	Grado de protección del motor	IP X4	
	Clase de aislamiento	F	
	Rango de temperatura del líquido [°C] de acuerdo con la Norma EN 60335-2-41 para uso doméstico	0 °C / +35 °C	
	Tamaño máx. de las partículas	Agua limpia	
	Temperatura ambiente máx. [°C]	+40 °C	
Peso	DNM GAS	1" M	
	Peso Neto/Bruto aprox. [kg]	14/16.6	14.8/17.4

Tabla 3



La bomba no puede soportar el peso de las tuberías, que deberán estar apoyadas de manera diferente.

### 4. GESTIÓN

#### 4.1 Almacenaje

Todas las bombas deben almacenarse en un lugar cubierto, seco y con un porcentaje de humedad lo más constante posible, libre de vibraciones y de polvo. Las bombas se entregan dentro de su embalaje original en el que deben conservarse hasta el momento de la instalación.

#### 4.2 Transporte

Evitar someter los productos a golpes y choques inútiles.

#### 4.3 Peso y medidas

En la placa adhesiva aplicada en el embalaje se indican el peso total de la electrobomba y sus medidas.

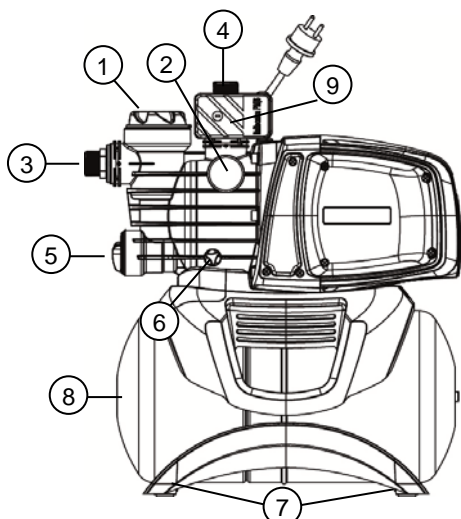
### 5. ADVERTENCIAS



Las bombas nunca se deben transportar, levantar o hacer funcionar en forma suspendida utilizando el cable de alimentación; utilizar el asa respectivo.

- La bomba no deberá nunca funcionar en seco.

## 6. INSTALACIÓN



- 1 Prefiltro
- 2 Manómetro
- 3 Conexión de aspiración orientable
- 4 Conessione di mandata
- 5 Conexión de impulsión orientable
- 6 Tapón de descarga
- 7 Pies de apoyo de goma antivibrantes
- 8 Depósito de 18 l.
- 9 Interruptor de flujo

La electrobomba debe instalarse en un lugar protegido contra la intemperie y con una temperatura ambiente que no supere 40 °C.

La bomba incorpora pies de apoyo antivibrantes, pero en el caso de instalaciones fijas es posible desmontarlos y fijar la base de apoyo (7).

Las tuberías no deben forzar excesivamente las bocas de la bomba (3) y (4) para no crear deformaciones ni roturas.

**Se considera una buena norma colocar la bomba lo más cerca posible del líquido a bombear.**

Hay que instalar la bomba sólo en posición horizontal.

Las tuberías nunca deben tener el diámetro interior inferior al de las bocas de la electrobomba; la bomba incorpora en la parte de aspiración un filtro (1) y una Válvula Antirretorno (VA) (5).

Para una aspiración que sobrepase los cuatro metros o con recorridos grandes en horizontal, se aconseja utilizar un tubo de aspiración cuyo diámetro sea mayor que el de la boca de aspiración de la bomba. Para que no se formen bolsas de aire en el tubo de aspiración, hay que crear una ligera inclinación positiva del tubo de aspiración hacia la electrobomba. Fig.2

Si la tubería de aspiración fuera de goma o de material flexible, compruebe que el tubo sea reforzado y resistente al vacío para evitar estrechamientos por efecto de la aspiración.

En caso de instalación fija, se recomienda instalar una válvula de cierre en el lado de aspiración y otra en el lado de impulsión. Esto permite cerrar la tubería aguas arriba y/o aguas abajo de la bomba y sirve para realizar los trabajos de mantenimiento y limpieza o para los períodos en los que no se utiliza la bomba.

La bomba incorpora una entrada rotatorias para facilitar la instalación (3) y (4).

En el caso de mangueras, si fuera necesario utilice una curva (fig.1) y el juego de jardinería compuesto por una manguera de PE y un juego de racores con lanza, no suministrado pero se pueden comprar por separado.

En presencia de suciedad de tamaño muy pequeño se recomienda utilizar, además del filtro incorporado (1), un filtro de entrada de la bomba montado en el tubo de aspiración.

- No someta el motor a excesivos arranques por hora, se recomienda estrictamente no superar los 20 arranques por hora.



**El diámetro del tubo de aspiración debe ser mayor o igual que el diámetro de la boca de la electrobomba, véase la Tabla 3.**

## 7. CONEXIÓN ELÉCTRICA



Comprobar que la tensión de la red corresponda a la indicada en la placa del motor a alimentar, Y QUE SEA POSIBLE REALIZAR UNA BUENA CONEXIÓN DE TIERRA. **Atenerse a las indicaciones dadas en la placa de datos técnicos y en la tabla 3 de este manual.**

**La longitud del cable de alimentación de la bomba limita la distancia de instalación; si se necesitara una extensión, asegúrese de que la misma sea del mismo tipo** (ej. H05 RN-F o H07 RN-F según la instalación) véase la tab.3.

## 8. PUESTA EN MARCHA



No ponga en marcha la bomba sin haberla llenado por completo de líquido, alrededor de 4 litros.

Si el agua se terminara, desenchufe inmediatamente la clavija para apagar la bomba. No haga funcionar la bomba en seco.

1. Antes del arranque compruebe que la bomba esté bien cebada llenándola por completo con agua limpia a través del agujero correspondiente, después de quitar el tapón de llenado del filtro transparente (1), con las manos o con la herramienta adecuada suministrada. Esta operación es de importancia básica para que la bomba trabaje bien y además es indispensable para lubricar bien la junta estanca mecánica. Esta se estropea irremediamente si la bomba funciona en seco.
2. Enrosque correctamente el tapón de llenado hasta el tope (1).

3. Conecte la clavija del cable de alimentación a un tomacorriente de 230 V. **¡Atención!** El motor de la bomba se pondrá en marcha inmediatamente, el agua comenzará a salir transcurridos 3 minutos como máximo, en función de la profundidad del nivel de agua en el pozo o tanque.
4. La bomba se desactiva automáticamente al alcanzar la presión máxima. Si al utilizar agua la presión bajara por debajo de la presión mínima, la bomba se activará automáticamente. Véase la Tab.3.
5. Para apagar la bomba, desenchufe la clavija del cable de alimentación.



En caso de problemas con el cebado, repita la operación hasta haber eliminado completamente el aire de la aspiración.

## 9. PRECAUCIONES

**PELIGRO DE CONGELACIÓN:** cuando la bomba queda inactiva con una temperatura bajo 0 °C, es necesario asegurarse de que no queden residuos de agua porque al congelarse pueden agrietar las piezas de plásticos.

Si la bomba ha sido utilizada con sustancias que tienden a depositarse o con agua con cloro, enjuagarla después del uso con un chorro de agua fuerte para que no se formen depósitos o incrustaciones que podrían reducir las características de la bomba.

## 10. MANTENIMIENTO Y LIMPIEZA

Durante el funcionamiento normal la electrobomba no requiere ningún mantenimiento. De cualquier modo, todas las operaciones de reparación y mantenimiento se deberán ejecutar únicamente tras desconectar la bomba de la red de alimentación. Cuando arranque la bomba, controle que todo esté montado correctamente para que no sea peligroso para las personas o bienes.

### 10.1 Limpieza del filtro de aspiración

(Fig. 3)

- Deshabilitar la alimentación eléctrica de la bomba.
- Vacíe la bomba cerrando las válvulas de compuerta montadas aguas arriba (en su caso) y abriendo el tapón de desagüe (6)
- Desenrosque la tapa de la cámara del filtro, con las manos o con la herramienta suministrada.
- Extraiga la unidad de filtro desde arriba.
- Enjuague el recipiente con agua corriente y limpie el filtro con un cepillo suave.

### 10.2 Limpieza de la válvula antirretorno (VA)

(Fig. 4)

- Deshabilitar la alimentación eléctrica de la bomba.
- Quite el tapón de la válvula VA (5) con la herramienta suministrada de serie.
- Quite la válvula antirretorno VA y límpiela si estuviera sucia fig.9.
- Ensamble las piezas en el orden inverso a la secuencia de desmontaje.

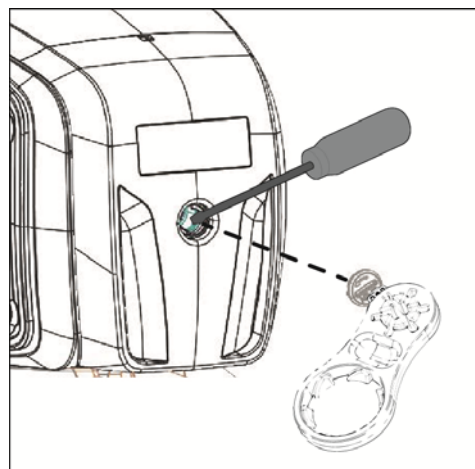
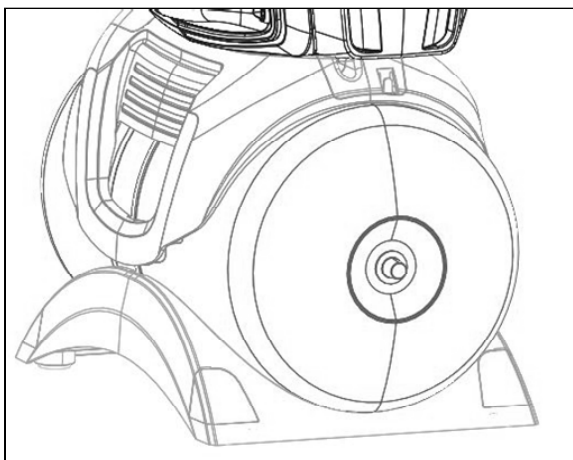
## 11. BÚSQUEDA DE AVERÍAS



**Antes de comenzar a buscar los desperfectos, corte la conexión eléctrica de la bomba (desenchúfela). Si el cable de alimentación o alguna pieza eléctrica de la bomba estuvieran averiados, la reparación o sustitución deben ser llevados a cabo por el Fabricante o por su servicio de asistencia técnica o bien por personal cualificado, para prevenir cualquier riesgo.**

ANOMALIAS	CONTROLES (causas posibles)	REMEDIOS
1. El motor no arranca y no hace ruidos.	A. Verificar las conexiones eléctricas. B. Verificar que el motor esté bajo tensión. C. Verificar los fusibles de protección. D. Posible activación de la protección térmica.	C. Cambiarlos si están quemados. D. Espere unos 20 minutos para que el motor se enfríe. Compruebe la causa que ha determinado el inconveniente y solucione el problema. <b>Nota:</b> Si se estropearan repetidamente, esto quiere que el motor está en cortocircuito.
2. El motor no arranca pero produce ruidos.	A. Comprobar que la tensión eléctrica corresponda a la de la placa.. B. Buscar posibles obstrucciones de la bomba o del motor. C. Compruebe que el eje no esté bloqueado. D. Controlar el estado del condensador.	B. Quitar los obstáculos. C. Utilice la herramienta suministrada para desenroscar la tapa y desbloquee el eje con un destornillador. D. Sustituir el condensador.
3. El motor no gira bien.	A. Asegúrese que la tensión de alimentación sea suficiente. B. Controbar que no rocem las partes móviles con las fijax.	B. Eliminar las causas de esto.

ANOMALIAS	CONTROLES (causas posibles)	REMEDIOS
4. La bomba no suministra.	A. La bomba no ha sido cebada bien.  B. Tubo de aspiración con diámetro insuficiente.  C. La válvula antirretorno VA o el filtro están atascados.	A. Rellene con agua la bomba y cébela desenroscando el tapón de purga para que salga el aire.  B. Sustituir el tubo con uno de mayor diámetro.  C. Limpie el filtro y, si no fuera suficiente, limpie la válvula VA.
5. La bomba no ceba o se encenda.	A. Aspiración de aire por el tubo de aspiración.  B. La inclinación negativa del tubo de aspiración favorece la formación de bolsas de aire.	A. Solucione el problema controlando la estanqueidad de las conexiones y la tubería de aspiración y repita la operación de cebado.  B. Corregir la inclinación del tubo de aspiración.
6. La bomba suministra un caudal insuficiente.	A. El tubo de aspiración está atascado.  B. El rodete está desgastado o obstruido.  C. Tuberías de aspiración con diámetro insuficiente.	A. Limpie el tubo de aspiración.  B. Sacar los obstáculos o sustituir las piezas desgastadas.  C. Sustituir la tubería con una de mayor diámetro.
7. La bomba se activa y desactiva muy a menudo.	A. La membrana del vaso de expansión está averiada.  B. La presión del vaso de expansión es muy baja.	A. Haga sustituir la membrana por el servicio técnico autorizado.  B. Llene el vaso de expansión con una carga de hasta 1,6 +0,2 bar. Véase la Tab.3.
8. La bomba vibra y funciona haciendo ruido.	A. Verificar que la bomba y las tuberías están bien sujetadas.  B. La bomba cavita, es decir, se le requiere más agua de la que puede bombear.  C. La bomba trabaja sobrepasando los datos de la placa.	A. Fijar bien las partes flojas.  B. Recucir la altura de aspiración o controlar las pérdidas de carga.  C. Pueda ser útil limitar el caudal de impulsión..



### LLENAR CON AIRE EL VASO DE EXPANSIÓN

La presión en el vaso de expansión debe ser de alrededor de 1,6 +0,2 bar. En fábrica se realiza una precarga, es decir que en el primer arranque no es necesario realizar ninguna operación.

Para el llenado de aire se necesita una bomba de aire o un dispositivo de inflado de neumáticos con indicador de presión (manómetro).

1. Desenrosque la tapa de protección
2. Conecte la bomba de aire o el dispositivo de inflado de neumáticos a la válvula del vaso de expansión, bombee aire hasta que el manómetro indique alrededor de 1,6 +0,2 bar.
3. Enrosque de nuevo la tapa de protección.

## 12. GARANTÍA



**Cualquier modificación no autorizada previamente exime al fabricante de toda responsabilidad. Todas las piezas de recambio utilizadas en las reparaciones deberán ser originales y todos los accesorios estarán autorizados por el fabricante, con el fin de garantizar la máxima seguridad de las máquinas y de las instalaciones en las que están montadas.**

Este producto está amparado por una garantía legal (en la Comunidad Europea durante 24 meses a partir de la fecha de compra) contra todos los defectos debidos a vicios de fabricación o materiales utilizados.

El producto cubierto por la garantía podrá ser, a discreción del fabricante, sustituido por uno que funcione perfectamente o reparado de forma gratuita si se observan las siguientes condiciones:

- el producto haya sido utilizado adecuadamente y de acuerdo con las instrucciones y ni el comprador ni terceros hayan intentado repararlo;
- el producto haya sido entregado en la tienda donde se ha comprado, adjuntando el documento que acredite la compra (factura o recibo fiscal) y una breve descripción del problema.

El rotor y las piezas sujetas a desgaste no están amparados por garantía. La reparación bajo garantía no extiende por ningún motivo el período original.

## СЪДЪРЖАНИЕ

1. ПРИЛОЖЕНИЯ .....	29
2. ТЕЧНОСТИ ЗА ИЗПОМПВАНЕ.....	29
3. ТЕХНИЧЕСКИ ДАННИ И ОГРАНИЧЕНИЯ ЗА УПОТРЕБА.....	30
4. СТОПАНИСВАНЕ.....	30
4.1 Съхранение.....	30
4.2 Транспорт.....	30
4.3 Тегло и размери.....	30
5. ПРЕДУПРЕЖДЕНИЯ.....	30
6. МОНТИРАНЕ.....	31
7. ЕЛЕКТРИЧЕСКО СВЪРЗВАНЕ .....	31
8. СТАРТИРАНЕ .....	31
9. ПРЕДПАЗНИ МЕРКИ.....	32
10. ПОДДРЪЖКА И ПОЧИСТВАНЕ .....	32
10.1 Почистване на аспирационната решетка .....	32
10.2 Почистване на НВК.....	32
11. ОТКРИВАНЕ НА ПОВРЕДИ .....	32
НАПЪЛНЕТЕ С ВЪЗДУХ РАЗШИРИТЕЛНИЯ СЪД.....	33
12. ГАРАНЦИЯ.....	34

### ПРЕДУПРЕЖДЕНИЯ



Преди да пристъпите към монтажа, прочетете внимателно цялата документация.



Преди всяка операция изваждайте щепсела. Никога не трябва да се допуска работа на сухо.



Предпазвайте помпата от неблагоприятните атмосферни условия.



Защита срещу претоварване. Помпата е окомплектована със защита срещу термично претоварване на двигателя. В случай на евентуално прегряване на двигателя, защитата изключва автоматично помпата. Времето за охлаждане е около 15-20 мин., след което помпата се включва отново автоматично. След задействането на защитата за двигателя е абсолютно необходимо да се потърси паричната и да се отстрани. Направете справка с "Откриване на повреди".

### 1. ПРИЛОЖЕНИЯ

Самозасмукваща центробежна помпа с отлични смукателна възможност и капацитет, дори когато има наличие на въздух. Много подходяща за водоснабдяване и подаване на вода под налягане в самостоятелни къщи. Подходящи са за малки зеленчукови градини и градини, за аварийно подаване на вода за бита и за свободното време като цяло. Благодарение на компактната си и лесна за работа форма намират и специално приложение като преносими помпи за аварийни ситуации, като например източване на вода от резервоари или реки.



Тези помпи не могат да бъдат използвани в басейни, херметични съдове, басейни с наличие на налягане и/или за изпомпване на въглеводороди (бензин, дизел, течни горива, разтворители и др.) съгласно действащите разпоредби срещу злополуки. Преди да ги приберете за съхранение, е добре да предвидите почистването им. Виж глава "Поддръжка и почистване".

### 2. ТЕЧНОСТИ ЗА ИЗПОМПВАНЕ

Чиста, свободна от примеси или абразивни вещества, не агресивни вода.

Чиста вода	•
Дъждовна вода (филтрирана)	•
Нефекални отпадъчни води	○
Мръсна вода	○
Вода от фонтани (филтрирана)	•
Речни или езерни води (филтрирана)	•
Питейна вода	•

Таблица 1

- Подходяща
- Неподходяща



## БЪЛГАРСКИ

### 3. ТЕХНИЧЕСКИ ДАННИ И ОГРАНИЧЕНИЯ ЗА УПОТРЕБА

- **Захранващо напрежение: 230V**, виж идент.табела с електрическите данни
- **Предпазители по линията с отложено действие (версия 230V):** примерни стойности (Ампери)
- **Температура на складиране: -10°C +40°C**

Модел	Предпазители по линията 230V 50Hz
P1= 850 W	<b>4</b>
P1= 1.100 W	<b>6</b>

Таблица 2

	Модел	P1=850W	P1=1100W
Данни - електрическа част	P1 Номинална консумирана мощност [W]	850	1100
	P2 [W]	600	750
	Мрежово напрежение [V]	1 ~ 220-240 AC	
	Мрежова честота [Hz]	50	
	Ток [A]	3.88	4.58
	Кондензатор [µF]	12.5	16
	Кондензатор [Vc]	450	
Данни - хидравлична част	Макс. дебит [l/h]	3.180	3.750
	Макс. напор [m]	43	45
	Макс. напор [bar]	4.3	4.5
	Макс.налягане [bar]	6	
	Макс. дълбочина на засмукване [m/min]	8 m / < 3min	
	Налягане при включване [bar]	1.8	
	Налягане при изключване [bar]	3.2	
Индикатор на налягане	Манометър	Манометър	
Сфера на приложение	Дълж. Захранващ кабел [m]	1.5	
	Вид кабел	H07 RNF	
	Степен на защита на двигателя	IP X4	
	Клас изолация	F	
	Температурен обхват на течността [°C] съгласно EN 60335-2-41 за битова употреба	0 °C / +35 °C	
	Макс. размер на частиците	чиста вода	
	Макс. температура на околната среда [°C]	+40 °C	
Тегло	DNM GAS	1" M	
	Тегло Нето/Бруто пригл. [kg]	14/16.6	14.8/17.4

Таблица 3



Помпата не може да издържи тежестта на тръбите, която в противен случай трябва да се понесе.

#### 4. СТОПАНИСВАНЕ

##### 4.1 Съхранение

Всички помпи трябва да се съхраняват в закрито, сухо място, по възможност с постоянна влажност на въздуха, без вибрации и прах. Доставят се в оригинална опаковка, в която трябва да останат до момента на монтажа.

##### 4.2 Транспорт

Избягвайте да подлагате продуктите на ненужни удари и сблъсъци.

##### 4.3 Тегло и размери

Идентификационният стикер, поставен върху опаковката, съдържа указание за общото тегло на електрическата помпа и за нейните размери.

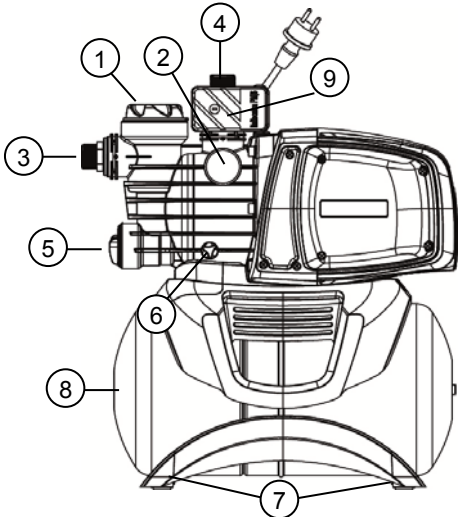
#### 5. ПРЕДУПРЕЖДЕНИЯ



Помпите никога не трябва да се транспортират, повдигат или пускат в действие, окачени за захранващия кабел, използвайте специалната дръжка..

- Помпата никога не трябва да се оставя да работи на сухо.

## 6. МОНТИРАНЕ



- 1 Предварителен филтър
- 2 Манометър
- 3 Ориентируема всмукателна връзка
- 4 Напорна връзка
- 5 Интегриран невъзвратен клапан
- 6 Тапа за източване
- 7 Гумени крачета срещу вибрации
- 8 Резервоар от 18 л.
- 9 Флусостат

Електрическата помпа трябва да се инсталира на място, защитено от неблагоприятни атмосферни условия и температура на околната среда, не по-висока от 40°C.

Помпата е снабдена с крачета срещу вибрации, но в случай на фиксирани монтаж е възможно да ги премахнете и да предвидите анкерно захващане на носещата основа (7).

Избягвайте тръбите да предават извънредни усилия към отворите на помпата (3) и (4), за да не се създават деформации или счупвания.

**Винаги е по-добре помпата да се монтира близо до захранването с вода.**

Да се монтира само в хоризонтално положение.

Тръбите не трябва никога да имат вътрешен диаметър, по-малък от този на отворите на електрическата помпа и при всмукателната тръба помпата е снабдена с филтър (1) и невъзвратен клапан (НВК) (5).

При засмукване от дълбочина по-голяма от 4 м. или дълъг хоризонтален участък, се препоръчва допълнително монтиране на малък участък с диаметър по-голям от този на входа на помпата. За избягване възможността за образуване на въздушни мехури в тракта, наклона леко да се снижава към помпата. Фиг.2

Ако всмукателната тръба е гумена или от друг гъвкав материал, винаги проверявайте дали са от подсилен тип, устойчив на вакуум, за да се избегнат стеснения поради всмукателния ефект.

В случай на фиксиран монтаж се препоръчва да монтирате затварящ клапан както от страната на всмукване, така и от страната на нагнетателната тръба. Това позволява да се затвори линията преди и/или след помпата, което е удобно за всички операции по поддръжка и почистване или за периоди, в които помпата не се използва.

Помпата е снабдена с въртящи се вход, за да се улесни монтажа. (3) и (4).

При маркучи, ако се налага, използвайте коляно фиг.1 и градинарския комплект, състоящ се от РЕ тръба и комплект с муфи с накрайник, които не са доставени, но могат да се доставят отделно.

При наличието на замърсявания с много малки размери се препоръчва да използвате, освен вградения филтър (1), филтър на входа на помпата, монтиран на всмукателната тръба.

- Не подлагайте двигателя на прекалено много стартирания/час, силно се препоръчва да не се превишават 20 стартирания/час.



**Диаметърът на всмукателната тръба трябва да бъде по-голям или равен на диаметъра на отвора на електрическата помпа, виж Таблица 3.**

## 7. ЕЛЕКТРИЧЕСКО СВЪРЗВАНЕ



Да се провери дали захранващото напрежение отговаря на изискването на помпата и да се оцени възможността за надеждна заземка **Придържайте се към указанията, посочени в табелата с техническите данни и в това ръководство, таблица 3.**

**Дължината на захранващия кабел, наличен с помпата, ограничава разстоянието за монтаж, ако се налага използване на удължител, уверете се, че е от същия тип (напр. H05 RN-F или H07 RN-F в зависимост от монтажа) виж табл.3.**

## 8. СТАРТИРАНЕ



Не задействайте помпата преди да я напълните изцяло с течност, приблизително 4 литри.

В случай на изчерпване на водния ресурс, незабавно изключете щепсела, с което спирате помпата. Избягвайте работата на сухо.

1. Преди пускането на помпата проверете дали помпата е правилно залята, като пристъпите към цялостното ѝ напълване с чиста вода през специалния отвор, след като сте отстранили тапата за зареждане на прозрачния филтър (1) ръчно или със специалния инструмент, доставен с машината. Това означава, че механичното уплътнение е добре смазано и помпата започва веднага нормалната си работа. **Работа в сух режим води до непоправима повреда на механичното уплътнение.**
2. След това, пробката за зареждане трябва да се завие отново старателно, докато престане да се върти (1).

## БЪЛГАРСКИ

3. Включете щепсела на захранващия кабел към захранващ контакт от 230 V. **Внимание!** Двигателят на помпата ще се стартира незабавно, водата ще започне да излиза след максимум 3 минути, което зависи от дълбочината на нивото на водата в кладенеца или в цистерната.
4. При достигането на максималното налягане, помпата се деактивира автоматично. Ако се използва вода и налягането слезе под минималното налягане, помпата се активира автоматично. Вж. Таб.3.
5. За да спрете помпата окончателно, изключете щепсела на захранващия кабел.



В случай на проблеми със заливането преди пускане в действие, повторете обработката, докато изчезне всичият въздух при всмукването.

### 9. ПРЕДПАЗНИ МЕРКИ

**ОПАСНОСТ ОТ ЗАМРЪЗВАНЕ:** когато помпата остане неактивна при температура под 0°C, е необходимо да се уверите, че няма остатъци от вода, които замръзвайки, могат да предизвикат пукнатини в пластмасовите части. Ако помпата е била използвана с вещества, които се утаяват или с хлорирана вода, изплакнете след употреба със силна струя вода, за да не се допусне образуване на утайки или отлагания, които могат да влошат характеристиките на помпата.

### 10. ПОДДРЪЖКА И ПОЧИСТВАНЕ

При нормално функциониране електрическата помпа не изисква никакъв вид поддръжка. Във всеки случай всички операции по ремонт и поддръжка трябва да се извършват само след като сте изключили помпата от захранващата мрежа. Когато стартирате помпата, уверете се, че е монтирана правилно, за да не се създаде опасност за хора и лица.

#### 10.1 Почистване на аспирационната решетка

(Фиг. 3)

- Изключете електрическото захранване на помпата.
- Оставете помпата да се отцеди, като отворите тапата за източване (6), като първо затворите решетките преди помпата (ако има такива).
- Развийте капака на камерата за филтъра, с ръце или със съответния аксесоар, доставен с машината.
- Извадете филтърния блок през горната страна.
- Изплакнете чашката под течаща вода и почистете филтъра с мека четка.
- Монтирайте отново филтъра, като извършите операциите в обратен ред.

#### 10.2 Почистване на НВК

(Фиг. 4)

- Изключете електрическото захранване на помпата.
- Отстранете тапата на НВК (5) с аксесоара, доставен с машината
- Свалете невъзвратния клапан (НВК) и го почистете от евентуални замърсявания фиг.9
- Сглобете частите в обратен ред на демонтирането.

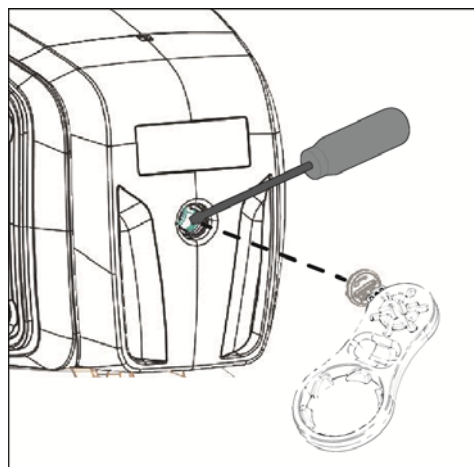
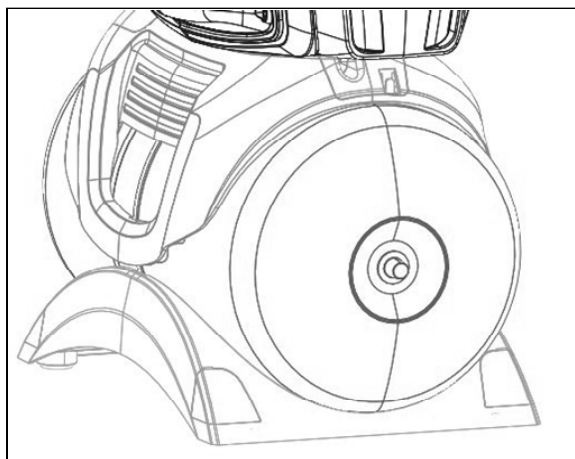
### 11. ОТКРИВАНЕ НА ПОВРЕДИ



Преди да започнете да търсите повреди, е необходимо да прекъснете електрическото свързване на помпата (извадете щепсела от контакта). Ако захранващият кабел или която и да е част на помпата е повредена, операцията по ремонта или смяната трябва да се извършва от Производителя или от неговия отдел за техническо обслужване, или от лице с еквивалентна квалификация, за да се предотврати всеки риск.

ПОВРЕДА	ПРОВЕРКА (възможна причина)	ДЕЙСТВИЯ
1. Мотора не тръгва и не издава звук.	A. Провери ел. връзки. B. Провери изправността на мотора. C. Провери предпазителите. D. Вероятно сработване на термозащитата.	C. Ако са изгорели-смени ги. D. Изчакайте около 20 мин., за да се охлади двигателя. Проверете причината и я отстранете. <b>N.B.:</b> Ако повредата се повтори пак – мотора е с късо съединение.
2. Мотора не тръгва, но издава звук..	A. Провери захранващото напрежение. B. Провери за блокаж на помпата или мотора. C. Проверете дали валът не е блокиран. D. Провери за блокаж на помпата или мотора..	B. Свали блокирането. C. Използвайте доставения инструмент, за да развиете капачето и с отвертка разблокирайте вала. D. Смени кондензатора.
3. Мотора работи с трудности.	A. Провери захранващото напрежение. B. Провери въртящите се части.	B. Отстрани причината.

ПОВРЕДА	ПРОВЕРКА (възможна причина)	ДЕЙСТВИЯ
4. Помпата не подава вода.	<p>A. Помпата не е захранена правилно.</p> <p>B. Диаметъра на тръбата на входа е недостатъчен.</p> <p>C. Запушен невъзвратен клапан НВК.</p>	<p>A. Напълнете помпата с вода и я залейте, като внимателно оставите водата да изтече, развивайки изпускателната тапа.</p> <p>B. Смени тръбата с друга, с по-голям диаметър.</p> <p>C. Почистете филтъра и в случай, че не е достатъчен, също и НВК.</p>
5. Помпата не засмуква.	<p>A. Всмукване на въздух през всмукателната тръба.</p> <p>B. Обърнат наклон на входящата тръба, наличие на въздух.</p>	<p>A. Отстранете явлението като проверите уплътнението на свързките и всмукателната тръба и повторете операцията по заливане.</p> <p>B. Поправи наклона на входящата тръба.</p>
6. Недостатъчен дебит на изхода.	<p>A. Всмукателната тръба е запушена.</p> <p>B. Блокирано или повредено работно колело.</p> <p>C. Недостатъчен диаметър на входната тръба.</p>	<p>A. Почистете всмукателната тръба.</p> <p>B. Смени тръбата с друга, с по-голям диаметър.</p> <p>C. Смени две от фазите.</p>
7. Помпата се активира и деактивира твърде често.	<p>A. Мембраната на разширителния съд е повредена.</p> <p>B. Налягането на разширителния съд е твърде ниско.</p>	<p>A. Сменете мембраната от оторизиран технически сервис.</p> <p>B. Заредете разширителния съд до 1,6 <math>\pm</math> 0,2 bar. Вж. Таб.3.</p>
8. Помпата вибрира и работи шумно..	<p>A. Провери връзките на тръбите към помпата.</p> <p>B. Кавитация.</p> <p>C. Помпата работи над възможностите си.</p>	<p>A. Притегни разхлабените връзки.</p> <p>B. Провери за загуби по входното трасе.</p> <p>C. Ограничи дебита.</p>



#### НАПЪЛНЕТЕ С ВЪЗДУХ РАЗШИРИТЕЛНИЯ СЪД

Налягането в разширителния съд трябва да бъде около 1,6  $\pm$  0,2 bar. Извършва се предварително зареждане във фабриката, следователно при първото задействане, не е необходимо да се извършва никаква операция. За напълването с въздух, е необходима въздушна помпа и устройство за напмпване на гумите със съответния индикатор на налягането (манометър).

1. Развийте защитният капак.
2. Поставете въздушна помпа или устройство за напмпване на гумите при клапана на разширителния съд, напмпайте въздух, докато манометъра покаже приблизително 1,6  $\pm$  0,2 bar.
3. Завийте отново защитният капак.

## 12. ГАРАНЦИЯ



Всяка промяна, за която нямате предварително разрешение, освобождава производителя от всякакъв вид отговорност. Всички резервни части, използвани при ремонтите, трябва да бъдат оригинални и всички принадлежности трябва да бъдат разрешени от производителя, за да може да се гарантира максималната безопасност на машините и на съоръженията, на които те могат да се монтират.

Този продукт има законова гаранция ( в Европейската общност 24 месеца, считано от датата на покупката) за всички дефекти, дължащи се на фабрични дефекти или в използваните материали.

По преценка гаранционният продукт може да бъде или заменен с такъв в идеално работно състояние, или поправен безплатно, когато са спазени следните условия:

- продуктът е използван правилно и в съответствие с инструкциите и не е правен никакъв опит за ремонт от страна на купувача или на трети страни.
- продуктът е предаден на мястото, от където е закупен, заедно с приложен документ, удостоверяващ покупката (фактура или фискален бон) и с кратко описание на установения проблем.

Роторът и частите, подлежащи на износването, не са част от гаранцията. Интервенциите по време на гаранцията не удължават по никакъв начин първоначалния период.

## OBSAH

1. APLIKACE .....	35
2. ČERPATELNÉ KAPALINY .....	35
3. TECHNICKÉ PARAMETRY A OMEZENÍ POUŽITÍ .....	36
4. SPRÁVA .....	36
4.1 Skladování .....	36
4.2 Přeprava .....	36
4.3 Hmotnost a rozměry .....	36
5. VAROVÁNÍ .....	36
6. INSTALACE .....	37
7. ELEKTRICKÉ ZAPOJENÍ .....	37
8. SPUŠTĚNÍ .....	37
9. OPATŘENÍ .....	38
10. ÚDRŽBA A ČIŠTĚNÍ .....	38
10.1 Čištění sacího filtru .....	38
10.2 Čištění NRV .....	38
11. VYHLEDÁVÁNÍ PORUCH .....	38
NAPLNĚNÍ EXPANZNÍ NÁDOBKY VZDUCEM .....	39
12. ZÁRUKA .....	39

### VAROVÁNÍ



Před zahájením instalace si pozorně přečtěte kompletní dokumentaci.



Před každým zásahem vytáhněte zástrčku ze zásuvky elektrické sítě. Jednoznačně se vyhněte chodu čerpadla nasucho.



Chraňte čerpadlo před povětrnostními vlivy.



Ochrana před přetížením. Čerpadlo je vybaveno tepelnou ochranou motoru. Pokud dojde k případnému přetížení motoru, ochrana motoru automaticky čerpadlo vypne. Doba potřebná k ochlazení motoru se pohybuje přibližně mezi 15-20 minutami, po ochlazení se čerpadlo automaticky zapne. Po zásahu ochrany motoru je nezbytně nutné vyhledat příčinu a odstranit ji. Konzultujte odstavec Vyhledávání závad.

### 1. APLIKACE

Horizontální samonasávací čerpadla s vynikajícím sacím výkonem i při čerpání vody obsahující vzduchové bubliny.. Jsou mimořádně vhodná pro zásobování vodou a tlakování obydlí na samotách. Jsou vhodná pro malé zemědělství v zahradách a pro zahradničení, nouzové stavy v domácnostech a kutilství jako takové. Díky kompaktnímu tvaru, s nímž se snadno manipuluje, nacházejí také speciální uplatnění jako přenosná čerpadla pro nouzové případy, jako je odběr vody z nádrží nebo řek.



Tato čerpadla nemohou být používána v bazénech, rybnících, vodních nádržích s přítomností osob ani pro čerpání uhlovodíků (benzin, nafta, topné oleje, rozpouštědla apod.) ve smyslu protiúrazových předpisů platných pro danou oblast. Před jejich odložením je dobrým zvykem je vyčistit. Viz kapitola „Údržba a Čištění“.

### 2. ČERPATELNÉ KAPALINY

Čistá, bez pevných těles nebo abrazivních látek, neagresivní.

Čerstvá voda	•
Dešťová voda (filtrovaná)	•
Světlé odpadní vody	○
Splaškové vody	○
Voda z bazénu nebo fontány (filtrovaná)	•
Voda z řeky nebo jezera (filtrovaná)	•
Pitná voda	•

Tabulka 1

- Vhodné
- Nevhodné

### 3. TECHNICKÉ PARAMETRY A OMEZENÍ POUŽITÍ

- **Napájecí napětí: 230 V**, viz štítek s elektrickými parametry  
**Pomalé pojistky na ochranu elektrického přívodu (verze 230 V):** orientační hodnoty (v ampérech)
- **Skladovací teplota:** -10°C +40°C

Model	Fusibili di linea 230V 50Hz
P1= 850 W	<b>4</b>
P1= 1.100 W	<b>6</b>

Tabulka 2

	Model	P1=850W	P1=1100W
Elektrické parametry	P1 Jmenovitý příkon [W]	850	1100
	P2 [W]	600	750
	Síťové napětí [V]	1 ~ 220-240 AC	
	Síťová frekvence [Hz]	50	
	Proud [A]	3.88	4.58
	Kondenzátor [µF]	12.5	16
	Kondenzátor [Vc]	450	
Vodní parametry	Max. průtok [l/h]	3.180	3.750
	Výtlačná výška [m]	43	45
	Dynamický tlak [bar]	4.3	4.5
	Max. tlak [bar]	6	
	Max. hloubka sání [m/min]	8 m / < 3min	
	Zapínací tlak [bar]	1.8	
	Vypínací tlak [bar]	3.2	
	Indikátor tlaku	Tlakoměr	Tlakoměr
Provozní rozsah	Délka napájecího kabelu [m]	1.5	
	Typ kabelu	H07 RNF	
	Třída ochrany motoru	IP X4	
	Třída izolace	F	
	Teplotní rozsah kapaliny [°C] podle EN 60335-2-41 pro domácí použití	0 °C / +35 °C	
	Max. rozměry částic	čistá voda	
	Max. teplota prostředí [°C]	+40 °C	
Hmotnost	Připojovací rozměr	1" (vnější)	
	Čistá/hrubá hmotnost přibl. [kg]	14/16.6	14.8/17.4

Tabulka 3



Čerpadlo nemůže snášet hmotnost potrubí, které musí být drženo jinak.

## 4. SPRÁVA

### 4.1 Skladování

Všechna čerpadla musí být skladována v krytém a suchém prostoru, dle možnosti s konstantní vlhkostí vzduchu, bez vibrací a prachu. Jsou dodávána ve svém původním obalu, ve kterém musí zůstat až do okamžiku instalace.

### 4.2 Přeprava

Nevystavujte výrobky zbytečným nárazům a kolizím.

### 4.3 Hmotnost a rozměry

Na samolepicím štítku, který je aplikován na obalu, je uvedena celková hmotnost elektročerpadla a jeho rozměry.

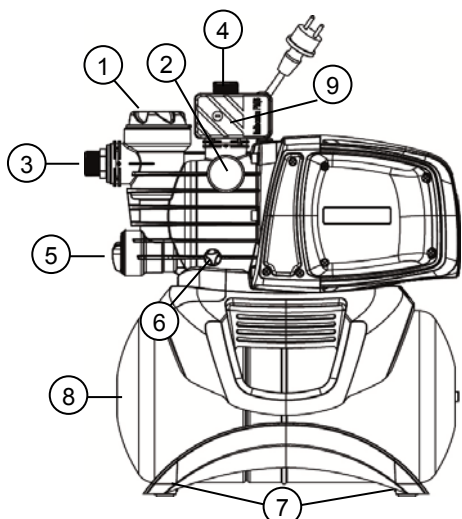
## 5. VAROVÁNÍ



Čerpadla nesmí být nikdy přepravována, zvedána nebo uváděna do chodu tak, že jsou zavěšena za napájecí kabel; pro tento účel používejte příslušnou rukojeť.

- Čerpadlo nesmí být nikdy uvedeno do chodu nasucho.

## 6. INSTALACE



- 1 Předfiltr
- 2 Tlakoměr
- 3 Sací hrdlo
- 4 Výtlačné hrdlo
- 5 Integrovaný zpětný ventil
- 6 Vypouštěcí uzávěr
- 7 Vypouštěcí uzávěr
- 8 Zásobník s kapacitou 18 l.
- 9 Průtokový spínač

Elektročerpadlo musí být nainstalováno na místě chráněném před nepřízní počasí a při teplotě nepřevyšující 40 °C.

Čerpadlo je vybaveno antivibračními nožkami, ale v případě pevných instalací je možné nožky odmontovat a ukotvit čerpadlo k opěrnému podkladu (7).

Zabraňte, aby potrubí přenášela nadměrnou námahu na hrdla čerpadla (3) a (4), aby nedocházelo k deformacím nebo zlomům.

**Je vhodné umístit čerpadlo co nejbližší k čerpané kapalině.**

Čerpadlo musí být instalováno pouze v horizontální poloze.

Potrubí nesmí mít nikdy menší průměr, než je průměr sacího hrdla čerpadla. Čerpadlo je vybaveno filtrem (1) a zpětným ventilem (NRV) (5).

Pro sací hloubky přes čtyři metry nebo s dlouhými vodorovnými úseky je doporučeno použít sací hadici s větším průměrem než je sací otvor čerpadla. Mírný sklon sací hadice směrem nahoru k čerpadlu zabrání tvorbě vzduchových kapes. Obr. 2

V případě, že je sací potrubí z gumy nebo z pružného materiálu, vždy zkontrolujte, zda je zesíleného druhu, který je odolný vůči vakuu, aby se zabránilo jeho zúžení v důsledku sání.

V případě pevné instalace se doporučuje namontovat uzavírací ventil na straně sání i na straně výtlačku. To umožňuje zavřít okruh na vstupu a/nebo na výstupu čerpadla, což je užitečné při provádění zásahů údržby a čištění nebo během období, kdy se čerpadlo nepoužívá.

Čerpadlo je vybaveno otočným vstupem a otočnými pro usnadnění instalace. (3) a (4).

V případě hadic dle potřeby použijte koleno znázorněné na obr. 1 a sadu pro zahradničení, která je tvořena hadicí z vyztuženého PE a sadou spojek a sacím košem, které se nedodávají s čerpadlem, ale lze je zakoupit samostatně.

Při použití ve vodě s příměsí nečistot malých rozměrů se doporučuje použít kromě integrovaného filtru (1) filtr na vstupu čerpadla, namontovaný na sací trubce.

- Nevystavujte motor příliš velkému počtu spuštění/hodinu. Doporučuje se nepřekročit 20 spuštění/hodinu.



**Průměr sací trubky musí být větší nebo se musí rovnat průměru hrdla elektročerpadla - viz Tabulka 3.**

## 7. ELEKTRICKÉ ZAPOJENÍ



Zkontrolujte shodnost štitkového napětí elektromotoru čerpadla s přivedeným napájecím napětím, zejména uzemňující svorka musí být připojena k napájecímu kabelu. **Dodržujte údaje uvedené na štítku s technickými parametry a v tabulce 3 tohoto návodu.**

**Délka napájecího kabelu, který je součástí čerpadla, omezuje instalační vzdálenost. Když potřebujete prodlužovací kabel, ujistěte se, že je stejného typu** (např. H05 RN-F nebo H07 RN-F, v závislosti na konkrétní instalaci) - viz tab. 3.

## 8. SPUŠTĚNÍ



Neuvádějte čerpadlo do chodu, aniž byste jej úplně naplnili kapalinou, přibližně 4 litry.

V případě, že by došlo k vyčerpání zdroje vody, okamžitě vypněte čerpadlo vytažením zástrčky ze zásuvky elektrické sítě. Zabraňte činnosti nasucho.

1. Před uvedením čerpadla do chodu zkontrolujte, zda je řádně zalito, a zajistěte jeho úplné naplnění čistou vodou přes příslušný otvor poté, co odšroubujete plnicí uzávěr průsvitného filtru (1) rukama nebo příslušným nástrojem dodaným v rámci výbavy. Současně otevřete také odvzdušňovací uzávěr (2) z důvodu vypuštění vzduchu. Naplnění zajišťuje dobrou funkci mechanického těsnění. **Provoz čerpadla na sucho způsobuje na mechanickém těsnění nenapravitelné škody.**
2. Poté je třeba důkladně zašroubovat plnicí uzávěr až po doraz (1).
3. Zasuňte zástrčku napájecího kabelu do zásuvky elektrické sítě s napětím 230 V. **Upozornění!** Ke spuštění motoru čerpadla dojde okamžitě a voda začne vytékat po uplynutí maximálně 3 minut, v závislosti na hloubce hladiny vody ve studni nebo v nádrži.
4. Po dosažení maximálního tlaku dojde automaticky k vypnutí čerpadla. Když při použití vody klesne tlak pod minimální hodnotu, dojde automaticky k opětovnému zapnutí čerpadla (viz tab. 3).



5. Pro definitivní vypnutí čerpadla odpojte zástrčku napájecího kabelu ze zásuvky elektrické sítě.



V případě problémů s infiltracemi zopakujte uvedený postup, dokud všechen vzduch z nasávání neunikne.

## 9. OPATŘENÍ

**NEBEZPEČÍ ZAMRZNUTÍ:** Když čerpadlo zůstane vypnuto při teplotě nižší než 0 °C, je třeba se ujistit, že se v něm nenacházejí zbytky vody, které by při zamrznutí mohly vytvořit praskliny v plastových součástech.

Když bylo čerpadlo použito s látkami, které mají tendenci vytvářet nánosy, nebo s chlorovanou vodou, po použití jej opláchněte silným proudem vody tak, aby se zabránilo vytváření nánosů nebo inkrustací, které by měly tendenci snižovat parametry čerpadla.

## 10. ÚDRŽBA A ČIŠTĚNÍ

Elektročerpadlo nevyžaduje během běžné činnosti žádný druh údržby. V každém případě je třeba úkony opravy a údržby provádět výhradně po odpojení čerpadla od napájecí sítě. Při opětovném uvedení čerpadla do chodu se ujistěte, že bylo zpětně smontováno určeným způsobem, aby nedocházelo k ohrožení osob.

### 10.1 Čištění sacího filtru

(Obr. 3)

- Vypněte elektrické napájení čerpadla.
- Proveďte odvodnění čerpadla otevřením vypouštěcího uzávěru (6) poté, co nejdříve zavřete šoupátka na vstupu (jsou-li součástí).
- Rukama nebo příslušným nářadím z výbavy odšroubujte víko komory filtru.
- Vyjměte jednotku filtru shora.
- Opláchněte nádobku pod tekoucí vodou a vyčistěte filtr jemným kartáčem.
- Namontujte filtr zpět dle stejného postupu, ale v opačném pořadí.

### 10.2 Čištění zpětného ventilu (NRV)

(Obr. 4)

- Vypněte elektrické napájení čerpadla.
- Odmontujte uzávěr NRV (5) pomocí příslušenství dodaného v rámci výbavy.
- Sejměte zpětný ventil NRV a vyčistěte jej od případných nečistot - obr. 9.
- Proveďte montáž jednotlivých součástí dle postupu pro demontáž, ale v opačném pořadí.

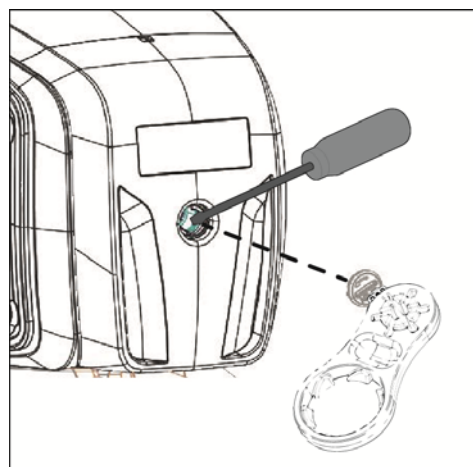
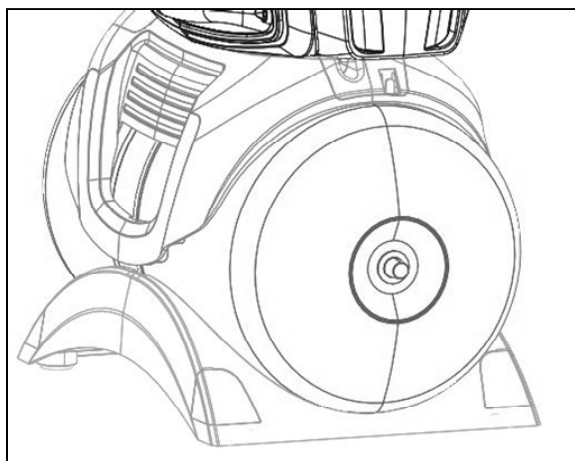
## 11. VYHLEDÁVÁNÍ PORUCH



Před zahájením vyhledávání závad musíte odpojit čerpadlo od přívodu elektrického proudu (vytáhněte zástrčku ze zásuvky). Pokud je napájecí kabel nebo kterákoliv elektrická součást čerpadla poškozena, oprava nebo výměna musí být provedena výrobcem nebo jeho technickým servisem nebo osobou s odpovídající kvalifikací, zamezíte tak jakémukoliv nebezpečí.

ZÁVADA	KONTROLA (možné příčiny)	ŘEŠENÍ
1. Motor se po zapnutí neotáčí a nevydává žádný zvuk.	A. Napájecí zásuvka není pod napětím. B. Motor čerpadla není pod napětím. C. Zkontrolujte jištění. D. Možný zásah tepelné ochrany.	A. Zkontrolujte elektrický přívod. B. Zkontrolujte přívodní kabel k čerpadlu. C. Jsou-li vadné pojistky, nahraďte je novými. D. Vyčkejte přibl. 20 min na ochlazení motoru. Zkontrolujte příčinu, která jej způsobila, a odstraňte ji. <b>POZN.:</b> Případné bezprostřední opakování poruchy znamená, že je motor zkratován.
2. Motor se po zapnutí neotáčí, ale vydává zvuk.	A. Nízké napájecí napětí. B. Vyhledejte možná ucpání čerpadla nebo motoru. C. Zkontrolujte, zda hřídel není zablokovaná. D. Překontrolujte stav kondenzátoru.	A. Překontrolujte napájecí napětí. B. Odstraňte mechanické odpory. C. S použitím nástroje z výbavy odšroubujte víko a šroubovákem pootočte hřídel. D. Vyměňte kondenzátor.
3. Motor běží s obtížemi.	A. Ujistěte se, že napájecí napětí není nedostatečné. B. Zkontrolujte možný otěr mezi pohyblivými a pevnými součástmi.	A. Překontrolujte napájecí napětí. B. Zkuste odstranit příčiny otěru.
4. Čerpadlo nedává žádnou vodu.	A. Čerpadlo nebylo správně zalito.  B. Sací trubka má nedostatečný průměr. C. Ucpaný zpětný ventil NRV nebo ucpané filtry.	A. Naplňte čerpadlo vodou, proveďte zalití a věnujte pozornost úniku vzduchu odšroubováním odvzdušňovacího uzávěru. B. Vyměňte trubku za jinou trubku s větším průměrem. C. Vyčistěte filtr a v případě, že by to nestačilo, i NRV.

ZÁVADA	KONTROLA (možné příčiny)	ŘEŠENÍ
5. Čerpadlo nenasává vodu.	A. Sání vzduchu prostřednictvím sací trubky. B. Záporný sklon sací trubky podporuje tvorbu vzduchových bublin.	A. Odstraňte uvedený negativní jev kontrolou těsnosti spojů a opakováním úkonu zalití. B. Upravte sklon sací trubky.
6. Čerpadlo čerpá nedostatečné množství vody.	A. Sací trubka je ucpaná. B. Oběžné kolo je opotřebené nebo ucpané. C. Průměr sacího potrubí je nedostatečný.	A. Vyčistěte sací trubku. B. Odstraňte ucpaní nebo vyměňte opotřebené součástky. C. Vyměňte za potrubí většího průměru.
7. Příliš často dochází k zapnutí a k vypnutí čerpadla.	A. Je poškozená membrána expanzní nádoby. B. Tlak v expanzní nádobce je příliš nízký.	A. Nechte vyměnit membránu autorizovanou servisní službou. B. Natlakujte expanzní nádobku až na hodnotu 1,6 +/-0,2 barů (viz tab. 3).
8. Čerpadlo vibruje a jeho chod je hlučný.	A. Zkontrolujte, zda je čerpadlo a potrubí pevně upevněno. B. Vznik kavitace v čerpadle. C. Čerpadlo je přetíženo.	A. Upevněte volné části. B. Snižte výšku sání nebo zkontrolujte pokles tlaku. C. Může být užitečné omezit průtok na přítoku.



### NAPLNĚNÍ EXPANZNÍ NÁDOBKY VZDUCHEM

Tlak v expanzní nádobce musí být přibližně 1,6 +/-0,2 baru. Ve výrobním závodě je provedeno předtlakování, a proto při prvním uvedení do chodu není třeba provádět žádný úkon plnění.

Pro naplnění vzduchem je potřebné vzduchové čerpadlo nebo zařízení pro huštění pneumatik s indikátorem tlaku (tlakoměr).

1. Odšroubujte ochranné víko
2. Aplikujte vzduchové čerpadlo nebo zařízení pro huštění pneumatik na ventil expanzní nádoby a čerpejte vzduch, dokud tlakoměr nebude ukazovat přibližně 1,6 +/-0,2 barů.
3. Zašroubujte zpět ochranné víko.

### 12. ZÁRUKA



**Jakákoli změna, která nebyla autorizována předem, zbavuje výrobce jakékoli odpovědnosti. Všechny náhradní díly použité při opravách musí být originální a veškeré příslušenství musí být autorizováno výrobcem, aby mohla být zajištěna maximální bezpečnost strojů a zařízení, na kterých tyto stroje mohou být namontovány.**

Na tento výrobek se vztahuje právní záruka (v Evropském společenství po dobu 24 měsíců od data zakoupení) na všechny vady, které lze přisoudit výrobním vadám nebo použitému materiálu.

Výrobek v záruce bude možné na základě nenapadnutelného rozhodnutí buď vyměnit za jiný v dokonale funkčním stavu, nebo bezplatně opravit, pokud byly dodrženy níže uvedené podmínky:

- výrobek byl používán správným způsobem, v souladu s návodem, a nebyl proveden žádný pokus o opravu kupujícím nebo třetí stranou;
- výrobek byl doručen do prodejního místa, ve kterém byl zakoupen, s příložením dokladu, který potvrzuje zakoupení (faktura nebo účtenka), a se stručným popisem zaznamenaného problému.

Záruka se nevztahuje na součásti podléhající opotřebení, což je zejména oběžné kolo, ucpávky a těsnění.

# INDHOLDSFORTEGNELSE

1. ANVENDELSESOMRÅDER .....	40
2. VÆSKER, DER KAN PUMPES .....	40
3. TEKNISKE SPECIFIKATIONER OG BRUGSBEGRÆNSNINGER .....	40
4. ADMINISTRATION .....	41
4.1 Opmagasinerings .....	41
4.2 Transport .....	41
4.3 Vægt og dimension .....	41
5. ADVARSLER .....	41
6. INSTALLATION .....	42
7. ELEKTRISK TILSLUTNING .....	42
8. IGANGSÆTNING .....	42
9. FORHOLDSREGLER .....	43
10. VEDLIGEHOLDELSE OG RENGØRING .....	43
10.1 Rengøring af sugefilteret .....	43
10.2 Rengøring af kontraventilen .....	43
11. FEJLFINDING .....	43
FYLDNING AF EKSPANSIONSBEHOLDEREN MED LUFT .....	44
12. GARANTI .....	44

## ADVARSLER



Læs hele dokumentationen med omhu, inden installationen iværksættes:



Træk altid stikket ud før et indgreb. Undgå med omhu, at pumpen fungerer uden væske.



Beskyt elektropumpen mod skiftende vejrforhold.



Overbelastningsbeskyttelse. Pumpen er udstyret med et termisk motorværn. Motorværnet slukker automatisk for pumpen i tilfælde af eventuel overophedning af motoren. Afkølingen varer cirka 15-20 min. hvorefter pumpen tænder igen. Det er strengt nødvendigt at finde frem til og eliminere årsagen til motorværnets indgreb. Jfr. Fejlfinding.

## 1. ANVENDELSESOMRÅDER

Selvansugende centrifugalstrålepumper med optimal sugeevne, også i tilfælde af kulsyreholdigt vand. Specielt velegnet til vandforsyning og trykopbygning i huse på landet. Velegnede til mindre landbrugs køkkenhaver og haver, husholdningsnødsituationer og hobbybrug generelt. I kraft af den kompakte og let anvendelige udformning, kan den også anvendes som bærbar pumpe i nødsituationer, så som pumpning af vand fra tanke eller vandløb.



Disse pumper må ikke anvendes til swimmingpools, damme eller bassiner, hvis der er personer heri, eller til pumpning af kulbrinte (benzin, diesel, brændbar olie, opløsningsmidler, etc.) i henhold til de gældende sikkerhedsforskrifter for området. Det er en god regel, at foretage en grundig rengøring, inden de stilles til opbevaring. Jfr. kapitlet "Vedligeholdelse og rengøring".

## 2. VÆSKER, DER KAN PUMPES

Rene, uden faste eller slibende partikler, ikke aggressive.

Frisk vand	•
Regnvand (filtreret)	•
Rent spildevand	○
Snavset vand	○
Fontænevand (filtreret)	•
Å- eller søvand (filtreret)	•
Drikkevand	•

Tabel 1

- Egnede
- Uegnede

## 3. TEKNISKE SPECIFIKATIONER OG BRUGSBEGRÆNSNINGER

- **Forsyningsspænding:** 230V, jfr. el-dataskilt
- **Forsinkede ledningssikringer (version 230V):** Vejledende værdier (Ampere)
- **Opbevaringstemperatur:** -10°C +40°C

Model	Ledningssikringer 230V 50Hz
P1= 850 W	4
P1= 1.100 W	6

Tabel 2

	Model	P1=850W	P1=1100W
El-data	P1 Nominal mærkeeffekt [W]	850	1100
	P2 [W]	600	750
	Netværksspænding [V]	1 ~ 220-240 AC	
	Netværksfrekvens [Hz]	50	
	Strøm [A]	3.88	4.58
	Kondensator [ $\mu$ F]	12.5	16
	Kondensator [Vc]	450	
Hydrauliske data	Max. kapacitet [l/h]	3.180	3.750
	Max. løftehøjde [m]	43	45
	Max. løftehøjde [bar]	4.3	4.5
	Max. tryk [bar]	6	
	Max sugedybde [m/min]	8 m / < 3min	
	Tændingstryk [bar]	1.8	
	Slukningstryk [bar]	3.2	
	Trykindikator	Manometer	Manometer
Brugsområde	Længde Forsyningskabel [m]	1.5	
	Kabeltype	H07 RNF	
	Motorens beskyttelsesgrad	IP X4	
	Isoleringsklasse	F	
	Væsketemperaturområde [°C] i henhold til EN 60335-2-41 til husholdningsbrug	0 °C / +35 °C	
	Max. partikelstørrelse	rent vand	
	Max. omgivelsestemperatur [°C]	+40 °C	
Vægt	DNM GAS	1" M	
	Netto-/bruttovægt ca. [kg]	14/16.6	14.8/17.4

Tabel 3



**Pumpen kan ikke understøtte rørledningernes vægt, som derfor skal understøttes på anden vis.**

#### 4. ADMINISTRATION

##### 4.1 Opmagasiner

Alle pumperne skal opmagasineres på et lukket, tørt sted, om muligt ved en konstant luftfugtighed, beskyttet mod vibrationer og støv. De leveres i deres originale emballage, og skal opbevares heri, indtil de installeres.

##### 4.2 Transport

Undgå at udsætte produktet for unødvendige slag og stød.

##### 4.3 Vægt og dimension

Elektropumpens totalvægt og dens dimensioner er anført på mærkatet på emballagen.

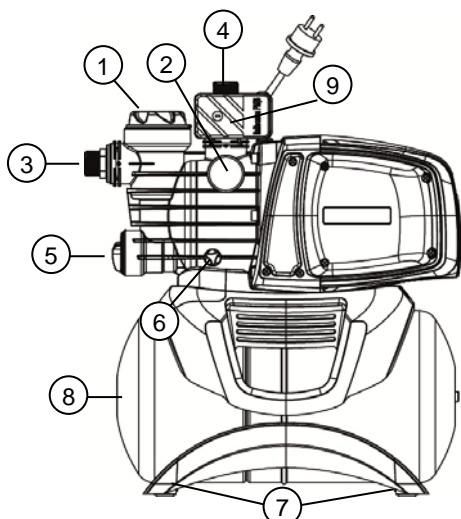
#### 5. ADVARSLER



**Pumperne må aldrig transporteres, løftes eller anvendes ved hjælp af forsyningskablet, benyt det dertil beregnede håndtag.**

- Pumpen må aldrig fungere uden vand.

## 6. INSTALLATION



- 1 Forfilter
- 2 Manometer
- 3 Drejelig sugetilslutning
- 4 Tryksidetilslutning
- 5 Indbygget kontraventil
- 6 Drænprop
- 7 Stødabsorberende gummifødder
- 8 Tank på 18 l.
- 9 Flowmåler

Elektropumpen skal installeres på et sted, som yder beskyttelse mod vejrpåvirkninger og med en omgivelsestemperatur, der ikke overstiger 40°C. Pumpen er udstyret med stødabsorberende fødder, men i tilfælde af stationær installation kan disse elimineres og pumpen forankres til støttefladen (7).

Undgå at rørledningerne overfører overdrevne påvirkninger til pumpens munding (3) og (4), så der ikke skabes deformationer eller beskadigelser.

**Det er altid en god regel, at placere pumpen så tæt som muligt på væsken, der skal pumpes.**

Pumpen må udelukkende installeres i den vandrette position.

Rørledningerne må aldrig have en intern diameter, som er mindre end elektropumpens munding, og i indsugning er pumpen udstyret med et filter (1) og kontraventil (NRV) (5).

Det anbefales at anvende en sugeledning med en større diameter end elektropumpens sugemunding til sugedybder på over fire meter, eller til længere vandrette strækninger. Forudse en let positiv hældning af sugeledningen i retning af elektropumpen, for at undgå at der skabes luftlommer i sugeledningen. Fig.2

Hvis sugeledningen er af gumme eller fleksibelt materiale, skal man altid kontrollere at den er af den forstærkede type, modstandsdygtig overfor vakuum, for at undgå at den kan snævre ind pga. sugeeffekten.

Det anbefales at montere en lukkeventil, både på sugesiden og på tryksiden, i tilfælde af stationær installation. Dette giver mulighed for at lukke linjen før og/eller efter pumpen, hvilket er nyttigt under alle vedligeholdelses- og rengøringsindgreb eller i de perioder, hvor pumpen ikke anvendes.

Pumpen er udstyret med drejelige indgange, med henblik på at lette installationen. (3) og (4).

I tilfælde af fleksible rørledninger skal man, om nødvendigt, anvende en kurve fig. 1 og have-sættet bestående af rørledning af PE og sættet med samlestykker med indsats, der ikke medfølger men kan købes separat.

Det anbefales at anvende et pumpeindgangsfiltet, monteret på sugeledningen, udover det indbyggede filter (1), ved tilstedeværelse af snavs af meget små dimensioner.

- Udsæt ikke motoren for overdrevne antal af igangsætninger/timen, det anbefales varmt at man ikke overstiger 20 igangsætninger/timen.



**Sugeledningens diameter skal være større end eller lig med elektropumpemundings diameter, jfr. Tabel 3.**

## 7. ELEKTRISK TILSLUTNING



Kontrollér, at ledningsnettets spænding stemmer overens med motorens mærkespænding, og at det er muligt at udføre en korrekt jordforbindelse. **Overhold anvisningerne, som er anført på mærkeskiltet og i tabel 3 i denne vejledning.**

**Længden på pumpens forsyningskabel begrænser installationsafstanden; ved behov for en forlænger, skal man forsikre sig, at denne er af samme type (eks. H05 RN-F eller H07 RN-F i funktion af installationen) jfr. tab.3.**

## 8. IGANGSÆTNING



Start aldrig pumpen uden at den er fyldt helt op med væske, cirka 4 liter.

Hvis vandreserven opbruges skal stikket øjeblikkeligt trækkes ud, så pumpen slukkes. Undgå tødrift.

1. Kontrollér inden igangsætning, at pumpen er spædet korrekt, og sørg for at den er helt fyldt med rent vand, der skal hældes på gennem den dertil beregnede åbning, efter at have fjernet påfyldningsdækslet på det gennemsigtige filter (1), med hænderne eller med det relevante medfølgende instrument. Denne handling er af grundlæggende betydning for pumpen funktion og er strengt nødvendig, for at den mekaniske pakning er velsmurt. **Tødrift vil medføre uoprettelige skader på den mekaniske pakning.**
2. Påfyldningsdækslet skal skrues helt i bund (1).
3. Sæt forsyningskablets stik i en stikkontakt med strøm på 230 V. **Giv agt!** Pumpemotoren går straks i gang, vandet vil strømme ud efter højst 3 minutter, hvilket afhænger af vandstandens dybde i brønden eller cisternen.
4. Pumpen slår automatisk fra, når det maksimale tryk er oparbejdet. Hvis trykket, ved brug af vand, falder til under minimum, går pumpen automatisk i gang. Jfr. Tab.3.

5. Sluk pumpen definitivt, ved at trække forsyningskablets stik ud.



Hvis der er problemer med spændingen skal handlingen gentages, indtil al luften i indsugningen er forsvundet.

## 9. FORHOLDSREGLER

**FARE FOR FROST:** Hvis pumpen forbliver inaktiv ved en temperatur på under 0°C, er det nødvendigt, at forsikre sig om at der ikke er vand heri, da der kan opstå revner på plastikdelene, hvis vandet fryser til is.

Hvis pumpen er blevet anvendt til stoffer med en tendens til at aflejre sig, eller til klorvand, skal den skylles efter brug med en kraftig vandstråle, for at undgå at der danner sig aflejringer eller belægninger, som vil kunne reducere pumpens egenskaber.

## 10. VEDLIGEHOLDELSE OG RENGØRING

Under normal funktion har elektropumpen intet behov for vedligeholdelse. Ethvert reparations- eller vedligeholdelsesindgreb må under alle omstændigheder først udføres, efter at pumpen er blevet koblet fra strømforsyningen. Kontrollér at pumpen er blevet genmonteret korrekt, så der ikke skabes fare for materiel eller personer, når pumpen genstartes.

### 10.1 Rengøring af sugefilteret

(Fig. 3)

- Frakobl pumpens strømforsyning.
- Tøm pumpen ved at åbne afløbsdækslet (6), efter først at have lukket skodderne forude for pumpen (om til stede).
- Skru dækslet af filterkammeret, med hænderne eller vha. det relevante medfølgende redskab.
- Træk filterenheden ud fra oversiden.
- Skyl koppen under rindende vand og rens filteret med en blød børste.
- Udfør handlingerne i den omvendte rækkefølge, for at genmontere filteret.

### 10.2 Rengøring af kontraventilen

(Fig. 4)

- Frakobl pumpens strømforsyning.
- Fjern kontraventilens dæksel (5) med det medfølgende redskab
- Tag kontraventilen ud og rens den for eventuelt snavs fig. 9
- Montér delene i omvendt rækkefølge af demonteringen.

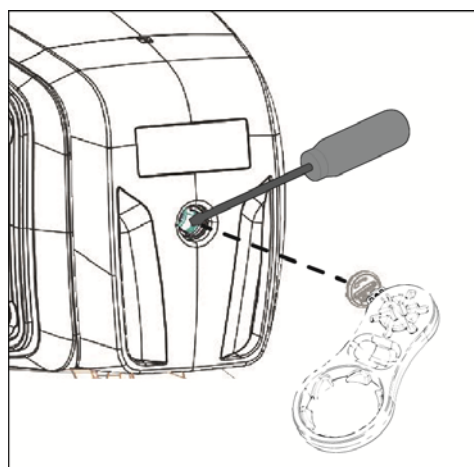
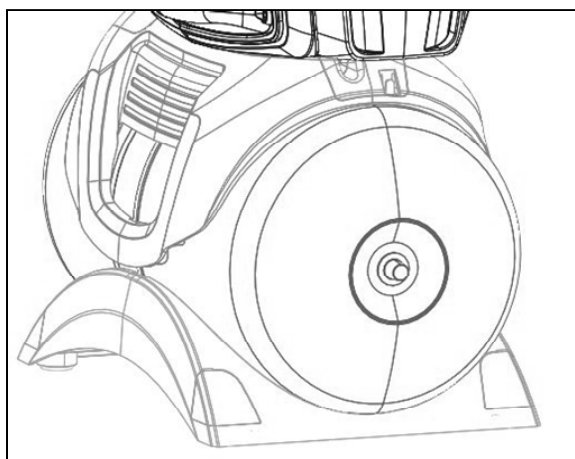
## 11. FEJLFINDING



Det er nødvendigt at afskære pumpens elektriske forbindelse (træk stikket ud af kontakten), før fejlfindingen påbegyndes. Hvis forsyningskablet eller en hvilken som helst af pumpens elektriske komponenter er beskadiget, skal reparationen eller udskiftningen foretages af Fabrikanten eller af dennes tekniske servicecenter, eller af en faglært person, med henblik på at forebygge enhver risiko.

ULEMPER	KONTROLLER (mulige årsager)	LØSNINGER
1. Motoren starter ikke og der høres ingen støj.	A. Kontrollér de elektriske tilslutninger. B. Kontrollér at motoren er under spænding. C. Kontrollér sikringerne. D. Muligt termosikringsindgreb	C. Udskift sprungne sikringer D. Vent i ca. 20 min. til motoren er kølet af. Find frem til årsagen og eliminér den. <b>NB.:</b> Eventuel øjeblikkelig gentagelse af forholdet betyder at motoren er kortslettet.
2. Motoren starter ikke men der høres støj.	A. Kontrollér at ledningsnettets spænding stemmer overens med mærkespændingen. B. Kontrollér for mulig tilstopning af pumpen eller motoren. C. Kontrollér at akslen ikke er blokeret. D. Kontrollér kondensatorens tilstand.	B. Eliminér tilstopningerne. C. Anvend det medfølgende redskab til at skrue dækslet af, og en skruetrækker til at ophæve akslens blokering. D. Udskift kondensatoren
3. Motoren drejer med besvær.	A. Kontrollér at forsyningsspændingen er tilstrækkelig. B. Kontrollér for mulige gnidninger mellem bevægelige og stationære dele.	B. Eliminér årsagerne til gnidningerne.
4. Pumpen leverer ikke.	A. Pumpen er ikke blevet spædet korrekt. B. Sugeledning med utilstrækkelig diameter. C. Tilstoppet kontraventil NRV eller filter.	A. Fyld pumpen med vand og spæd den, og sørg for at den tømmes for luft, ved at skrue luftafledningsdækslet af B. Udskift ledningen med en med større diameter. C. Rens filteret, og hvis dette ikke er nok kontraventilen.

ULEMPER	KONTROLLER (mulige årsager)	LØSNINGER
5. Pumpen spædes ikke.	A. Luftindsugning gennem sugeledningen.  B. En negativ hældning på sugeledningen fremme luftlommefforekomst.	A. Eliminér fænomenet ved at kontrollere forbindelsernes og sugeledningens tæthed, og gentag spædehandlingen. B. Korrigér sugeledningens hældning.
6. Pumpen leverer ikke tilstrækkeligt.	A. Sugeledningen er tilstoppet. B. Pumpehjulet er nedslidt eller blokeret.  C. Sugeledning med utilstrækkelig diameter.	A. Rens sugeledningen. B. Fjern blokeringerne eller udskift de slidte dele. C. Udskift sugeledningen med en med større diameter.
7. Pumpen tænder og slukker for ofte.	A. Beskadigelse af ekspansionsbeholderens membran. B. Ekspansionsbeholderens tryk er for lavt.	A. Lad membranen udskifte af den autoriserede tekniske assistance. B. Fyld ekspansionsbeholderen, til belastning på 1,6 +/-0,2 bar. Jfr. Tab.3.
8. Pumpen vibrerer og støjer under funktion.	A. Kontrollér at pumpen og rørledningerne er fastspændt korrekt. B. Kavitet i pumpen, dvs. at den kræver en større vandmængde end den er i stand til at pumpe. C. Pumpen arbejder ved over mærkedata.	A. Fastspænd de løstsiddende dele med omhu. B. Reducér sugehøjden eller kontrollér tryktabene. C. Det kan hjælpe at begrænse trykket i tryksiden.



#### FYLDNING AF EKSPANSIONSBEHOLDEREN MED LUFT

Trykket i ekspansionsbeholderen skal ligge på ca. 1.6 +/-0.2 bar. Der foretages en påfyldning på fabrikken, og det er derfor ikke nødvendigt at foretage sig noget i forbindelse med første start.

Påfyldning af luft kræver brug af en luftpumpe, eller en pumpeanordning til dæk, med trykindikator (manometer).

1. Skru beskyttelsehætten af
2. Sæt luftpumpen eller pumpeanordningen til dæk på ekspansionsbeholderens ventil, og pump luft heri, indtil manometeret viser ca. 1.6 +/-0.2 bar.
3. Skru beskyttelsehætten på igen.

#### 12. GARANTI



**Enhver modifikation, som ikke er autoriseret på forhånd af fabrikanten, fritager denne for ethvert ansvar. Alle de anvendte reservedele, i forbindelse med reparation, skal være originale, og alt anvendt udstyr skal være autoriseret af fabrikanten, med henblik på at kunne garantere den maksimale sikkerhed for maskinerne og de anlæg, som disse kan monteres på.**

Dette produkt er dækket af en garanti (i 24 måneder fra købsdato i det Europæiske Fællesskab) hvad angår alle defekter, som kan henledes til fabriksfejl eller materialskavanker.

Under garantien kan produktet, efter fabrikantens skøn, enten blive udskiftet med et i perfekt funktionsstand eller blive repareret gratis, hvis de følgende forhold er opfyldt:

- Produktet er blevet anvendt korrekt, i overensstemmelse med anvisningerne og uden at der, hverken af køber eller af tredjepart, er blevet foretaget reparationsforsøg herpå.
- Produktet er blevet overdraget til salgsstedet med vedlagt dokumentation, der attesterer købet (faktura eller kassebon) samt en kort beskrivelse af det foreliggende problem.

Pumpehjulet og andre sliddele indgår ikke i garantien. Indgreb under garanti ændrer i intet tilfælde garantiens oprindelige varighed.

## ΠΕΡΙΕΧΟΜΕΝΑ

1. ΕΦΑΡΜΟΓΕΣ.....	45
2. αντλησιμα υγρα .....	45
3. ΤΕΧΝΙΚΑ ΧΑΡΑΚΤΗΡΙΣΤΙΚΑ ΚΑΙ ΠΕΡΙΟΡΙΣΜΟΙ ΧΡΗΣΗΣ .....	46
4. ΔΙΑΧΕΙΡΙΣΗ.....	46
4.1 Αποθήκευση.....	46
4.2 Μεταφορά.....	46
4.3 Βάρος και διαστάσεις .....	46
5. ΠΡΟΕΙΔΟΠΟΙΗΣΕΙΣ .....	46
6. ΕΓΚΑΤΑΣΤΑΣΗ .....	47
7. ΗΛΕΚΤΡΙΚΗ ΣΥΝΔΕΣΜΟΛΟΓΙΑ.....	47
8. ΘΕΣΗ ΣΕ ΛΕΙΤΟΥΡΓΙΑ.....	47
9. ΠΡΟΛΗΠΤΙΚΑ ΜΕΤΡΑ .....	48
10. ΣΥΝΤΗΡΗΣΗ ΚΑΙ ΚΑΘΑΡΙΣΜΟΣ.....	48
10.1 Καθαρισμός του φίλτρου αναρρόφησης.....	48
10.2 Καθαρισμός της Ανασταλτικής Βαλβίδας (NRV).....	48
11. ΑΝΑΖΗΤΗΣΗ ΒΛΑΒΩΝ.....	48
ΠΛΗΡΩΣΗ ΤΟΥ ΔΟΧΕΙΟΥ ΔΙΑΣΤΟΛΗΣ ΜΕ ΑΕΡΑ .....	49
12. ΕΓΓΥΗΣΗ .....	50

### ΠΡΟΕΙΔΟΠΟΙΗΣΕΙΣ



Πριν προχωρήσετε στην εγκατάσταση διαβάστε με προσοχή όλα τα έγγραφα:



Πριν από κάθε επέμβαση να βγάζετε το φισ από την πρίζα. Να αποφεύγετε αυστηρά την ξηρά λειτουργία της αντλίας.



Προστατεύετε την αντλία από τις καιρικές συνθήκες.



Προστασία από υπερφόρτωση. Η αντλία διαθέτει θερμική προστασία κινητήρα. Σε περίπτωση ενδεχόμενης υπερθέρμανσης του κινητήρα, η προστασία κινητήρα σβήνει την αντλία αυτόματα. Ο χρόνος ψύξης είναι περίπου 15-20 λεπτά, μετά από τα οποία η αντλία ξαναβίγει αυτόματα. Μετά την επέμβαση της προστασίας κινητήρα απαιτείται αυστηρά να αναζητήσετε την αιτία και να την εξαλείψετε. Συμβουλευτείτε την Αναζήτηση Βλαβών.

### 1. ΕΦΑΡΜΟΓΕΣ

Φυγοκεντρικές αντλίες ψεκασμού αυτόματης εκκίνησης με βέλτιστες ικανότητες αναρρόφησης ακόμα και παρουσία αεριούχου ύδατος. Ενδείκνυται ιδιαίτερα για την τροφοδοσία νερού και την διατήρηση της πίεσης σε φάρμες. Κατάλληλες για γεωργία μικρής έκτασης σε λαχανόκηπους και για κηπουρική, έκτακτες ανάγκες οικιακής χρήσης και χόμπι εν γένει. Χάρη στο συμπαγές και εύχρηστο σχήμα μπορούν να χρησιμοποιηθούν επίσης ως φορητές αντλίες σε περιπτώσεις έκτακτης ανάγκης όπως άντληση νερού από πηγάδια ή ποτάμια.



Οι αντλίες αυτές δεν επιτρέπεται να χρησιμοποιηθούν σε πισίνες, έλη, ή δεξαμενές με παρουσία ατόμων, ή για την άντληση υδρογονανθράκων (βενζίνη, πετρέλαιο, καυσέλαια, διαλύτες, κλπ.), σύμφωνα με τις κείμενες διατάξεις πρόληψης ατυχημάτων. Πριν τις αποθηκεύσετε θα ήταν καλό να μεριμνήσετε μία φάση για τον καθαρισμό τους. Βλέπε κεφάλαιο “Συντήρηση και Καθαρισμός”.

### 2. ΑΝΤΛΗΣΙΜΑ ΥΓΡΑ

Καθαρό, χωρίς στερεά ή τραχιά σώματα, μη διαβρωτικό.

Καθαρό νερό	•
Βρόχινο νερό (φιλτραρισμένο)	•
Ακάθαρτα νερά (λουτρά και κουζίνες)	○
Ακάθαρτα νερά	○
Νερό σε σιντριβάνι (φιλτραρισμένο)	•
Νερό από ποταμό ή λίμνη (φιλτραρισμένο)	•
Πόσιμο νερό	•

Πίνακας 1

- Κατάλληλο
- Ακατάλληλο



## 3. ΤΕΧΝΙΚΑ ΧΑΡΑΚΤΗΡΙΣΤΙΚΑ ΚΑΙ ΠΕΡΙΟΡΙΣΜΟΙ ΧΡΗΣΗΣ

- **Τάση τροφοδοσίας: 230V**, διαβάστε την πινακίδα με τα ηλεκτρικά χαρακτηριστικά
- **Ασφάλειες γραμμής με καθυστέρηση (μοντέλο 230V):** ενδεικτικές τιμές (Ampere)
- **Θερμοκρασία αποθήκευσης:** -10°C +40°C

Μοντέλο	Ασφάλειες γραμμής 230V 50Hz
P1= 850 W	4
P1= 1.100 W	6

Πίνακας 2

	Μοντέλο	P1=850W	P1=1100W
Ηλεκτρικά Στοιχεία	P1 Ονομαστική απορροφούμενη ισχύς [W]	850	1100
	P2 [W]	600	750
	Τάση δικτύου [V]	1 ~ 220-240 AC	
	Συχνότητα δικτύου [Hz]	50	
	Ρεύμα [A]	3.88	4.58
	Συμπυκνωτής [μF]	12.5	16
	Συμπυκνωτής [Vc]	450	
Υδραυλικά Στοιχεία	Μέγιστη παροχή [l/h]	3.180	3.750
	Μανομετρικό ύψος max. [m]	43	45
	Μανομετρικό ύψος max. [bar]	4.3	4.5
	Max. πίεση [bar]	6	
	Max βάθος αναρρόφησης [m/min]	8 m / < 3min	
	Πίεση εκκίνησης [bar]	1.8	
	Πίεση σβησίματος [bar]	3.2	
Πεδίο χρήσης	Δείκτης πίεσης	Μανόμετρο	Μανόμετρο
	Μήκος Καλωδίου τροφοδοσίας [m]	1.5	
	Τύπος καλωδίου	H07 RNF	
	Βαθμός προστασίας του κινητήρα	IP X4	
	Κλάση μόνωσης	F	
	Πεδίο θερμοκρασίας του υγρού [°C] σύμφωνα με το EN 60335-2-41 για οικιακή χρήση	0 °C / +35 °C	
	Διάσταση των μορίων max. Max. Θερμοκρασία περιβάλλοντος ( ° C )	καθαρό νερό +40 °C	
Βάρος	DNM (Διάμετρος Παροχής) ΑΕΡΙΟΥ	1" M	
	Καθαρό/Μικτό Βάρος περίπου [kg]	14/16.6	14.8/17.4

Πίνακας 3



Η αντλία που δεν μπορεί να σηκώσει το βάρος των σωληνώσεων που, στην περίπτωση αυτή, πρέπει να υποστηριχτούν διαφορετικά.

## 4. ΔΙΑΧΕΙΡΙΣΗ

## 4.1 Αποθήκευση

Όλες οι αντλίες πρέπει να αποθηκεύονται σε σκεπαστό στεγνό χώρο, αν είναι δυνατόν με σταθερή υγρασία του αέρα, χωρίς κραδασμούς και θορύβους. Προμηθεύονται στην αρχική συσκευασία τους, στην οποία πρέπει να παραμείνουν μέχρι τη στιγμή εγκατάστασης.

## 4.2 Μεταφορά

Φροντίστε να μην κτυπήσουν οι συσκευές.

## 4.3 Βάρος και διαστάσεις

Η αυτοκόλλητη πινακίδα που βρίσκεται επάνω στη συσκευασία αναφέρει την ένδειξη του συνολικού βάρους της ηλεκτροκίνητης αντλίας και των διαστάσεών της.

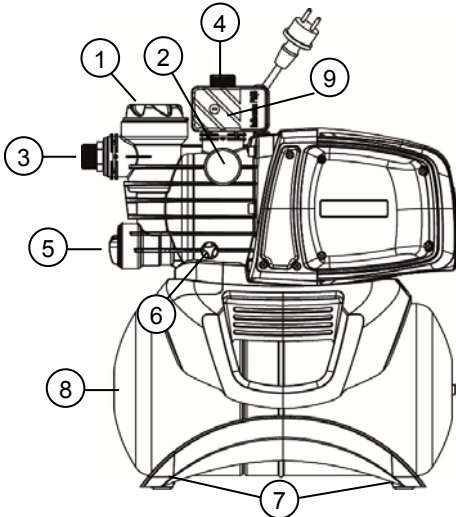
## 5. ΠΡΟΕΙΔΟΠΟΙΗΣΕΙΣ



Οι αντλίες δεν πρέπει ποτέ να μεταφέρονται, να ανυψώνονται ή να λειτουργούν αναρτημένες από το καλώδιο τροφοδοσίας, να χρησιμοποιείτε το ειδικό χερούλι.

- Η αντλία δεν πρέπει ποτέ να λειτουργεί χωρίς υγρό.

## 6. ΕΓΚΑΤΑΣΤΑΣΗ



- 1 Προφίλτρο
- 2 Μανόμετρο
- 3 Κατευθυνόμενη σύνδεση αναρρόφησης
- 4 Σύνδεση παροχής
- 5 Ενσωματωμένη ανασταλτική βαλβίδα
- 6 Τάπα εκκένωσης
- 7 Αντικραδασμικά λαστιχένια ποδαράκια
- 8 Ντεπόζιτο 18 l.
- 9 Ροοστάτης

Η ηλεκτροκίνητη αντλία πρέπει να εγκατασταθεί σε ένα μέρος το οποίο να προστατεύεται από την κακοκαιρία και με θερμοκρασία περιβάλλοντος όχι μεγαλύτερη από 40°C.

Η αντλία διαθέτει αντικραδασμικά ποδαράκια, αλλά σε περίπτωση σταθερών εγκαταστάσεων είναι δυνατόν να τα αφαιρέσετε και να φροντίσετε για μία αγκύρωση στη βάση στήριξης (7).

Αποφύγετε τη μετάδοση υπερβολικών καταπονήσεων από τις σωληνώσεις στα στόμια της αντλίας (3) και (4), για να μην δημιουργηθούν παραμορφώσεις και

για να μην σπάσουν.

**Είναι πάντα σκόπιμο να τοποθετείτε την αντλία όσο το δυνατόν πιο κοντά στο προς άντληση υγρό.**

Η αντλία πρέπει να εγκατασταθεί αποκλειστικά σε οριζόντια θέση.

Οι σωληνώσεις δεν πρέπει ποτέ να έχουν εσωτερική διάμετρο μικρότερη από τη διάμετρο των στομιών της ηλεκτροκίνητης αντλίας και κατά την αναρρόφηση, η αντλία διαθέτει φίλτρο (1) και Ανασταλτική βαλβίδα (NRV) (5).

Για βάθος αναρρόφησης μεγαλύτερο από τέσσερα μέτρα ή με πολλά οριζόντια τμήματα, συνιστάται η χρήση ενός σωλήνα αναρρόφησης με διάμετρο μεγαλύτερη από την διάμετρο του στομίου αναρρόφησης της ηλεκτροκίνητης αντλίας. Τοποθετήστε το σωλήνα αναρρόφησης με μια ελαφριά θετική κλίση προς την ηλεκτροκίνητη αντλία, για να μην δημιουργούνται θύλακες αέρα. Εικ.2

Εάν η σωλήνωση αναρρόφησης είναι από λάστιχο ή από εύκαμπτο υλικό, να ελέγχετε πάντα ότι είναι ενισχυμένου τύπου ανθεκτική στο κενό προς αποφυγή συσφίξεων λόγω της αναρρόφησης.

Σε περίπτωση σταθερής εγκατάστασης, συνιστάται να τοποθετείτε μία βαλβίδα κλεισίματος στην πλευρά αναρρόφησης και στην πλευρά παροχής. Αυτό επιτρέπει το κλείσιμο της γραμμής ανάντη και/ή κατόντη της αντλίας που είναι χρήσιμο για όλες τις επεμβάσεις συντήρησης και καθαρισμού ή για τις περιόδους κατά τις οποίες δεν χρησιμοποιείται η αντλία.

Η αντλία διαθέτει είσοδο και περιστροφικές εξόδους για τη διευκόλυνση της εγκατάστασης. (3) και (4)

Στην περίπτωση εύκαμπτων σωληνώσεων, εάν είναι απαραίτητο, χρησιμοποιήστε μία καμπύλη εικ.1 και το kit κηπουρικής που αποτελείται από σωλήνωση από PE και kit ρακόρ με εκτοξευτήρα, που δεν παρέχονται αλλά μπορείτε να αγοράσετε χωριστά.

Σε περίπτωση που υπάρχουν ακαθαρσίες με πολύ μικρές διαστάσεις συνιστάται να χρησιμοποιήσετε, πέρα από το ενσωματωμένο φίλτρο (1), ένα φίλτρο εισόδου αντλίας το οποίο τοποθετείται επάνω στο σωλήνα αναρρόφησης.

- Μην υποβάλλετε τον κινητήρα σε υπερβολικές εκκινήσεις/ώρα, συνιστάται αυστηρά να μην υπερβαίνετε τις 20 εκκινήσεις/ώρα.



**Η διάμετρος του σωλήνα αναρρόφησης πρέπει να είναι μεγαλύτερη ή ίση με τη διάμετρο του στομίου της ηλεκτροκίνητης αντλίας, βλέπε Πίνακα 3.**

## 7. ΗΛΕΚΤΡΙΚΗ ΣΥΝΔΕΣΜΟΛΟΓΙΑ



Βεβαιωθείτε πως η τάση του δικτύου αντιστοιχεί με την τάση της πινακίδας του κινητήρα που θα τροφοδοτηθεί και πως είναι δυνατή Η ΕΚΤΕΛΕΣΗ ΜΙΑΣ ΚΑΛΗΣ ΓΕΙΩΣΗΣ. **Ακολουθήστε τις ενδείξεις που αναφέρονται στην τεχνική πινακίδα και στον πίνακα 3 του παρόντος εγχειριδίου.**

Το μήκος του καλωδίου τροφοδοσίας που υπάρχει στην αντλία περιορίζει την απόσταση εγκατάστασης, σε περίπτωση που χρειαστεί προέκταση βεβαιωθείτε ότι είναι του ίδιου τύπου (π.χ. H05 RN-F ή H07 RN-F ανάλογα με την εγκατάσταση) βλέπε πίν.3.

## 8. ΘΕΣΗ ΣΕ ΛΕΙΤΟΥΡΓΙΑ



Μην θέτετε σε εκκίνηση την αντλία χωρίς να την έχετε γεμίσει πλήρως με υγρό, περίπου 4 λίτρα.

Σε περίπτωση που εξαντληθούν οι υδατικοί πόροι, βγάλτε αμέσως το φιν, σβήνοντας την αντλία. Αποφύγετε την ξηρά λειτουργία.

1. Πριν από την εκκίνηση ελέγξτε ότι η αντλία είναι κανονικά βυθισμένη, φροντίζοντας για την πλήρη πλήρωσή της, με καθαρό νερό, μέσω της ειδικής οπής, αφού αφαιρέσετε την τάπα φόρτωσης του διαφανούς φίλτρου (1), με τα χέρια ή με το ειδικό εργαλείο που παρέχεται με τον εξοπλισμό. Η εργασία αυτή έχει μεγάλη σημασία για την τέλεια λειτουργία της αντλίας και απαραίτητη για την καλή λίπανση της μηχανικής στεγανότητας. **Η λειτουργία χωρίς νερό προκαλεί ανεπανόρθωτες ζημιές στη μηχανική στεγανότητα.**
2. Η τάπα φόρτωσης θα πρέπει να ξαναβιδωθεί στη συνέχεια προσεκτικά μέχρι το στοπ (1).

3. Εισάγετε το φως του καλωδίου τροφοδοσίας σε μία ηλεκτρική πρίζα 230 V. **Προσοχή!** Ο κινητήρας της αντλίας θα ξεκινήσει αμέσως, το νερό θα αρχίσει να βγαίνει μετά από 3 λεπτά το ανώτερο, χρόνος που θα εξαρτηθεί από το βάθος της στάθμης του νερού, στο φρεάτιο ή στη δεξαμενή.
4. Μόλις επιτευχθεί η μέγιστη πίεση, η αντλία απενεργοποιείται αυτόματα. Εάν, χρησιμοποιώντας νερό, η πίεση κατέβει κάτω από την ελάχιστη πίεση, η αντλία ενεργοποιείται αυτόματα. Βλέπε Πιν.3.
5. Για να σβήσετε οριστικά την αντλία βγάλτε το φως του καλωδίου τροφοδοσίας.



Σε περίπτωση προβλημάτων με την αναρρόφηση, επαναλάβετε το χειρισμό μέχρι να εξαλειφθεί όλος ο αέρας αναρρόφησης.

## 9. ΠΡΟΛΗΠΤΙΚΑ ΜΕΤΡΑ

**ΚΙΝΔΥΝΟΣ ΠΑΓΩΜΑΤΟΣ:** όταν η αντλία παραμένει σε ακινητοποίηση σε θερμοκρασία κάτω από 0°C, είναι απαραίτητο να βεβαιωθείτε ότι δεν υπάρχουν υπολείμματα νερού τα οποία, εάν παγώσουν, μπορούν να δημιουργήσουν ρωγμές στα πλαστικά μέρη.

Εάν η αντλία χρησιμοποιήθηκε με ουσίες που τείνουν να επικαθίσουν, ή με χλωριωμένο νερό ξεβγάλετε την μετά από τη χρήση, με δυνατή ρίψη νερού έτσι ώστε να μην σχηματιστούν ιζήματα ή επικαθίσεις που θα μπορούσαν να μειώσουν τα χαρακτηριστικά της αντλίας.

## 10. ΣΥΝΤΗΡΗΣΗ ΚΑΙ ΚΑΘΑΡΙΣΜΟΣ

Κατά την κανονική λειτουργία, η ηλεκτροκίνητη αντλία δεν απαιτεί καμία συντήρηση. Σε κάθε περίπτωση όλες οι επεμβάσεις επισκευής και συντήρησης πρέπει να γίνονται μονάχα αφού αποσυνδέσετε την αντλία από το δίκτυο ηλεκτρικής παροχής. Όταν θέτετε ξανά σε λειτουργία την αντλία, να βεβαιώσετε ότι έχει επανασυναρμολογηθεί σύμφωνα με τους κανόνες της τέχνης, για να μην προκληθεί κίνδυνος σε πράγματα ή πρόσωπα.

### 10.1 Καθαρισμός του φίλτρου αναρρόφησης

(Εικ. 3)

- Αποσυνδέστε την αντλία από την ηλεκτρική τροφοδότηση.
- Αποστραγγίστε την αντλία, ανοίγοντας την τάπα εκκένωσης (θ), αφού έχετε κλείσει προηγουμένως τις θυρίδες ανάντη (εφόσον υπάρχουν).
- Ξεβιδώστε το καπάκι του θαλάμου του φίλτρου, με τα χέρια ή με το ειδικό παρεχόμενο εξάρτημα.
- Βγάλτε από ψηλά τη μονάδα του φίλτρου.
- Ξεβγάλετε το ποτήρι κάτω από νερό που τρέχει και καθαρίστε το φίλτρο με μία μαλακή βούρτσα.
- Συναρμολογήστε και πάλι το φίλτρο ακολουθώντας τις ενέργειες αντίστροφα.

## 11. ΑΝΑΖΗΤΗΣΗ ΒΛΑΒΩΝ



Πριν αρχίσετε την αναζήτηση βλαβών είναι απαραίτητο να διακόψετε την ηλεκτρική σύνδεση της αντλίας (βγάλτε το φως από την πρίζα). Εάν το καλώδιο τροφοδοσίας ή η αντλία παρουσιάζει φθορά σε οποιοδήποτε ηλεκτρικό της μέρος, η επέμβαση επισκευής ή η αντικατάσταση πρέπει να γίνει από τον Κατασκευαστή ή από την υπηρεσία τεχνικής υποστήριξής του ή από άτομο με ισοδύναμη ιδιότητα έτσι ώστε να αποφευχθεί κάθε κίνδυνος.

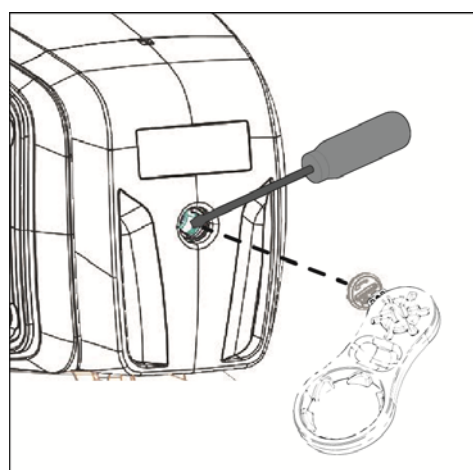
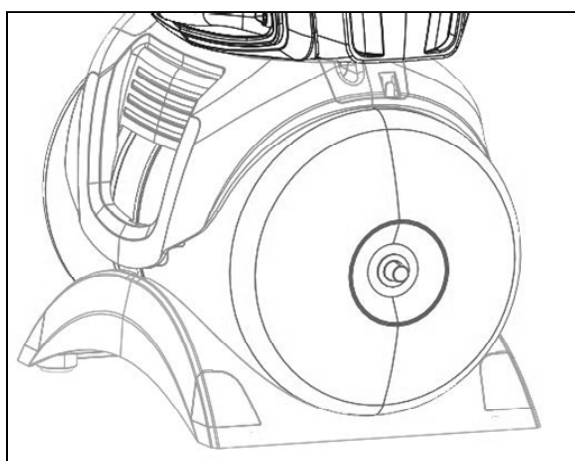
### 10.2 Καθαρισμός της Ανασταλτικής Βαλβίδας (NRV)

(Εικ. 4)

- Αποσυνδέστε την αντλία από την ηλεκτρική τροφοδότηση.
- Αφαιρέστε την τάπα της NRV (5) με το εξάρτημα που παρέχεται με τον εξοπλισμό
- Αφαιρέστε την ανασταλτική βαλβίδα NRV και καθαρίστε την από ενδεχόμενες ακαθαρσίες εικ.9
- Συναρμολογήστε τα μέρη με αντίθετη φορά από τη σειρά αποσυναρμολόγησης.

ΑΝΩΜΑΛΙΕΣ	ΕΞΑΚΡΙΒΩΣΕΙΣ (πιθανές αιτίες)	ΔΙΟΡΘΩΤΙΚΕΣ ΕΠΕΜΒΑΣΕΙΣ
1. Ο κινητήρας δεν ξεκινάει και δεν κάνει θόρυβο.	A. Ελέγξτε τις ηλεκτρικές συνδέσεις. B. Βεβαιωθείτε πως ο κινητήρας έχει τάση. C. Ελέγξτε τις προστατευτικές ασφάλειες. D. Πιθανή επέμβαση θερμικής προστασίας.	C. Αντικαταστήστε τις αν είναι καμένες. D. Περιμένετε περίπου 20 λεπτά μέχρι να κρυώσει ο κινητήρας. Ελέγξτε την αιτία που την προκάλεσε και εξαλείψτε την. <b>ΣΗΜΑΝΤΙΚΟ:</b> αν ξαναπαρουσιαστεί αμέσως η βλάβη σημαίνει πως ο κινητήρας έχει βραχυκύκλωμα.
2. Ο κινητήρας δεν ξεκινάει αλλά κάνει θόρυβο.	A. Βεβαιωθείτε πως η τάση του δικτύου αντιστοιχεί στην τάση της πινακίδας. B. Αναζητήστε τυχόν φραξίματα στην αντλία ή τον κινητήρα. C. Βεβαιωθείτε ότι ο άξονας δεν έχει μπλοκαριστεί. D. λέγξτε την κατάσταση του πυκνωτή.	B. Αποφράξτε. C. Χρησιμοποιήστε το παρεχόμενο εργαλείο για να ξεβιδώσετε το καπάκι και με ένα κατσαβίδι ξεμπλοκάρετε τον άξονα. D. Αντικαταστήστε τον πυκνωτή.

ΑΝΩΜΑΛΙΕΣ	ΕΞΑΚΡΙΒΩΣΕΙΣ (πιθανές αιτίες)	ΔΙΟΡΘΩΤΙΚΕΣ ΕΠΕΜΒΑΣΕΙΣ
3. Ο κινητήρας περιστρέφεται με δυσκολία.	A. Βεβαιωθείτε πως η τάση τροφοδοσίας είναι επαρκής. B. Ελέγξτε για τυχόν τριβές ανάμεσα στα κινητά και σταθερά μέρη.	B. Εξαλείψτε τις αιτίες που προκαλούν την τριβή.
4. Η αντλία δεν έχει παροχή.	A. Η αντλία δεν έχει πληρωθεί σωστά.  B. Ανεπαρκής διάμετρος σωλήνα αναρρόφησης. C. Φραγμένη ανασταλτική βαλβίδα NRV ή φίλτρο.	A. Γεμίστε με νερό την αντλία, και κάντε την αρχική πλήρωση της αντλίας, φροντίζοντας να βγάλετε τον αέρα ξεβιδώνοντας την τάπα εξαέρωσης. B. Αντικαταστήστε το σωλήνα με έναν μεγαλύτερης διαμέτρου. C. Ξανακαθαρίστε το φίλτρο και σε περίπτωση που δεν αρκεί την NRV.
5. Η αντλία δεν πληροúται.	A. Αναρρόφηση αέρα μέσω του σωλήνα αναρρόφησης.  B. Η αρνητική κλίση του σωλήνα αναρρόφησης δημιουργεί θύλακες αέρα.	A. Εξαλείψτε το φαινόμενο, ελέγχοντας τη στεγανότητα των συνδέσεων και τη σωλήνωση αναρρόφησης, και επαναλάβετε την ενέργεια της αρχικής πλήρωσης της αντλίας. B. Διορθώστε την κλίση του σωλήνα αναρρόφησης.
6. Ανεπαρκής παροχή της αντλίας.	A. Ο σωλήνας αναρρόφησης είναι φραγμένος. B. Φθαρμένη ή φραγμένη φτερωτή.  C. Ανεπαρκής διάμετρος σωλήνα αναρρόφησης.	A. Καθαρίστε το σωλήνα αναρρόφησης. B. Αποφράξτε ή αντικαταστήστε τα φθαρμένα εξαρτήματα.. C. Αντικαταστήστε το σωλήνα με έναν μεγαλύτερης διαμέτρου.
7. Η αντλία ενεργοποιείται και απενεργοποιείται πάρα πολύ συχνά.	A. Μεμβράνη του δοχείου διαστολής φθαρμένη. B. Η πίεση του δοχείου διαστολής είναι πάρα πολύ χαμηλή.	A. Αντικαταστήστε τη μεμβράνη στην εξουσιοδοτημένη τεχνική υπηρεσία. B. Γεμίστε το δοχείο διαστολής έως ένα φορτίο 1,6 +0,2 bar. Βλέπε Πιν.3.
8. Η αντλία λειτουργεί με κραδασμούς και θόρυβο.	A. Βεβαιωθείτε πως είναι στερεωμένη η αντλία και οι σωληνώσεις. B. Η αντλία παρουσιάζει σπηλαίωση, δηλαδή απαιτεί ποσότητα νερού μεγαλύτερη από την ποσότητα που μπορεί να αντλήσει. C. Η αντλία δουλεύει πέραν από τα όρια της πινακίδας της.	A. Στερεώστε καλύτερα τα χαλαρωμένα εξαρτήματα. B. Μειώστε το ύψος αναρρόφησης ή ελέγξτε τις απώλειες φορτίου.  C. Μπορεί να απαιτείται μείωση της παροχής στην κατάθλιψη.



#### ΠΛΗΡΩΣΗ ΤΟΥ ΔΟΧΕΙΟΥ ΔΙΑΣΤΟΛΗΣ ΜΕ ΑΕΡΑ

Η πίεση στο δοχείο διαστολής πρέπει να είναι περίπου 1.6 +0.2 bar. Κατά την πρώτη εκκίνηση δεν είναι απαραίτητο να κάνετε αυτήν την ενέργεια, καθώς στο εργοστάσιο πραγματοποιείται ήδη μία προφόρτωση.

Για την πλήρωση με αέρα είναι απαραίτητη μία αντλία αέρα ή μία συσκευή φουσκώματος ελαστικών με δείκτη πίεσης (μανόμετρο).

1. Ξεβιδώστε το προστατευτικό καπάκι

2. Τοποθετήστε την αντλία αέρα ή τη συσκευή φουσκώματος ελαστικών στη βαλβίδα του δοχείου διαστολής, αντλήστε αέρα μέχρι να δείξει το μανόμετρο περίπου 1.6 +0.2 bar.

3. Ξαναβιδώστε το προστατευτικό καπάκι.

## 12. ΕΓΓΥΗΣΗ



Οποιαδήποτε μη συμφωνημένη τροποποίηση, απαλλάσσει τον Κατασκευαστικό Οίκο από κάθε ευθύνη. Όλα τα ανταλλακτικά που θα χρησιμοποιηθούν στις επισκευές πρέπει να είναι γνήσια. Επίσης όλα τα βοηθητικά εξαρτήματα πρέπει να είναι εγκεκριμένα από τον κατασκευαστικό οίκο, έτσι ώστε να εξασφαλίζεται η μέγιστη ασφάλεια των μηχανημάτων και των εγκαταστάσεων στις οποίες μπορεί να είναι εγκατεστημένα.

Το προϊόν αυτό καλύπτεται από νόμιμη εγγύηση (στην Ευρωπαϊκή Κοινότητα 24 μήνες από την ημερομηνία αγοράς) σε σχέση με όλα τα ελαττώματα που οφείλονται σε κατασκευαστικά ελαττώματα ή στο υλικό που χρησιμοποιήθηκε.

Το προϊόν υπό εγγύηση, κατά διακριτική κρίση, θα μπορεί να αντικατασταθεί με ένα άλλο το οποίο να είναι σε τέλεια κατάσταση λειτουργίας

ή να επισκευαστεί δωρεάν εφόσον τηρούνται οι παρακάτω συνθήκες:

- το προϊόν να έχει χρησιμοποιηθεί με σωστό τρόπο και σύμφωνα με τις οδηγίες και να μην έχει γίνει καμία προσπάθεια επιδιόρθωσής του από τον αγοραστή ή από τρίτους.
- Το προϊόν να έχει παραδοθεί στο κατάστημα πώλησης από το οποίο έχει αγοραστεί, συνοδευόμενο από το παραστατικό που βεβαιώνει την αγορά (τιμολόγιο ή φορολογική απόδειξη) και από μία σύντομη περιγραφή του προβλήματος που παρουσιάστηκε.

Η φτερωτή και τα μέρη που υπόκεινται σε φθορά, δεν καλύπτονται από την εγγύηση. Η καλυπτόμενη με την εγγύηση επέμβαση δεν επεκτείνει σε καμία περίπτωση την αρχική περίοδο.

## INDEKS

1. RAKENDUSED .....	51
2. PUMBATAVAD VEDELIKUD .....	51
3. TEHNILISED ANDMED JA KASUTUSPIIRANGUD .....	51
4. KASUTAMINE .....	52
4.1 Hoiuruum.....	52
4.2 Transport.....	52
4.3 Kaal ja mõõtmed .....	52
5. HOIATUSED.....	52
6. PAIGALDUS.....	53
7. ELEKTRIÜHENDUS.....	53
8. KÄIVITAMINE .....	53
9. ETTEVAATUSABINÕUD .....	54
10. HOOLDUS JA PUHASTAMINE.....	54
10.1 Sisendvõre puhastamine .....	54
10.2 Tagasilöögiklapi puhastamine .....	54
11. VEAOTSING.....	54
TÄITKE PAISUPAAK VEEGA.....	55
12. GARANTII .....	55

## HOIATUSED



Enne paigaldamist lugege kõik juhised:



Enne sekkumist eemaldage pistik vooluvõrgust. Vältida täielikult kuiva töörežiimi.



Kaitske pumba karmide ilmastikuolude (halva ilma) eest.



Ülekoormuse kaitse. Pumbal on termaalne ülekoormuse katkesti. Mootori ülekuumenemise korral lülitab mootori kaitse pumba automaatselt välja. Jahtumisaeg on umbes 15–20 minutit. Pärast seda lülitub pump jälle automaatselt sisse. Pärast ülekoormuse kaitse aktiveerumist on alati tarvis välja uurida ülekoormuse põhjus ning see kõrvaldada. Lugege peatükki „Veaotsing“.

## 1. RAKENDUSED

Iseimevad tsentrifuugpumpad, millel on suurepärane imemisvõime ka karboniseeritud vee puhul. Eriti sobivad talumajapidamistes veevarustuse ja -surve tagamiseks. Sobivad väikestes aedadesse ja aiapidamiseks, talupidamiseks, kodusteks hädaolukordadeks ja üldisemalt hobitegevusteks. Tänu kompaktselle ja käepärasele kujule on neid pumпасid võimalik kasutada ka teisaldatevate pumpadena hädaolukordades nagu näiteks vee kogumiseks veehoidlatest või jõgedest.



Neid pumпасid ei tohi kasutada basseinides, tiikides, kraanikaussides, *kui inimesed on sees*, või süsivesinike pumpamiseks (bensiin, diiselkütus, kütteõli, lahustid jne.) vastavalt kehtivatele ohutuse eeskirjadele. Enne hoiule panemist oleks soovitatav puhastada. Vt peatükki "puhastamine ja hooldus".

## 2. PUMBATAVAD VEDELIKUD

Puhtad, ei tohi sisaldada tahkeid aineid, olla abrasiivsed või söövitavad.

Magevesi	•
Vihmavesi (filtered)	•
Heitvesi - puhas	○
Reovesi - must	○
Purskkaevuvesi (filtered)	•
Jõe- või järvevesi (filtered)	•
Joogivesi	•

Tabel 1

- Sobiv
- Ei sobi

## 3. TEHNILISED ANDMED JA KASUTUSPIIRANGUD

- **Toitepinge: 230V**, vt elektriandmete plaadile
- **Voolukaitsmed (230V versioon):** soovituslikud väärtused (amprites)
- **Säilitustemperatuur:** -10°C +40°C

Mudel	Voolukaitsmed 230V 50 Hz
P1= 850 W	4
P1= 1.100 W	6

Tabel 2

	Mudel	P1=850W	P1=1100W
Elektriandmed	P1 nominaalne imemisvõimsus [W]	850	1100
	P2 [W]	600	750
	Võrgupinge [V]	1 ~ 220-240 AC	
	Sagedus [Hz]	50	
	Vool [A]	3.88	4.58
	Kondensaator [ $\mu$ F]	12.5	16
	Kondensaator [Vc]	450	
Hüdraulilised andmed	Jõudlus max. l/h	3.180	3.750
	Max veesammas. [m]	43	45
	Max veesammas. [bar]	4.3	4.5
	Maksimaalne surve [bar]	6	
	Maksimaalne imemissügavus [m/min]	8 m / < 3min	
	Algrõhk [bar]	1.8	
	Väljalülitamisrõhk [bar]	3.2	
	Rõhu indikaator	Manomeeter	Manomeeter
Kasutusala	Pikkus. Toitejuhe [m]	1.5	
	Kaabli tüüp	H07 RNF	
	Mootori kaitse	IP X4	
	Isolatsiooniklass	F	
	Vedeliku temperatuurivahemik [°C] Vastavalt EN 60335-2-41 koduseks kasutamiseks	0 °C / +35 °C	
	Osakeste max. suurus	Puhas vesi	
	Max. Õhutemperatuur [°C]	+40 °C	
	Kaal	DNM GAS	1" M
Net/gross kaal ca. [kg]		14/16.6	14.8/17.4

Tabel 3



**Pump ei suuda torude raskust kanda ning seetõttu tuleb torud muul moel toetada.**

#### 4. KASUTAMINE

##### 4.1 Hoiuruum

Kõik pumbad peavad olema ladustatud siseruumides, kuivas ja võimaluse korral konstantse niiskuse juures, vibratsiooni- ja tolmuvabalt. Tarnitakse originaalpakendis, kuhu nad peavad jääma kuni paigaldamiseni.

##### 4.2 Transport

Vältida toodete rappumist või pörkumist.

##### 4.3 Kaal ja mõõtmed

Isekleepuv etikett pakendil näitab elektropumba kogukaalu ja selle suurust.

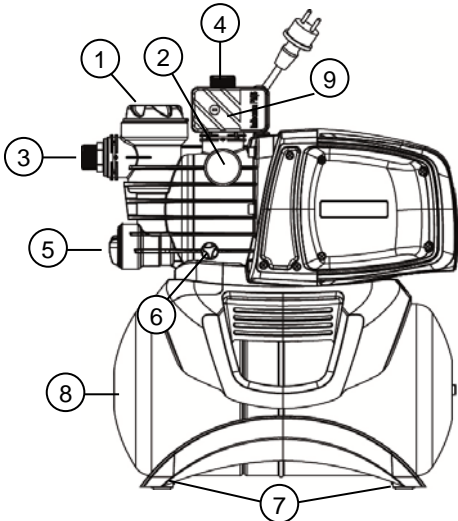
#### 5. HOIATUSED



**Pumpasid ei tohi kunagi transportida, tõsta või liigutada toitejuhtmest tõmmates, kasutage alati pumba käepidet.**

- Pumpa ei tohi kunagi kasutada kuivalt.

## 6. PAIGALDUS



- 1 Eelfilter
- 2 Manomeeter
- 3 Reguleeritav imiühendus
- 4 Väljalaskeühendus
- 5 Integreeritud tagasilöögiklapp
- 6 Äravooluava kate
- 7 Vibratsioonivastased kummijalad
- 8 18-liitrine paak
- 9 Vooluklapp

Pump tuleb paigaldada kohta, mis oleks kaitstud ebasoodsate kliimatingimuste eest ning mille temperatuur ei ületaks 40°C.

Pumbal on vibratsioonivastased jalad, kuid fikseeritud paigalduse korral võite need eemaldada ning pumba tugialusele (7) fikseerida.

Ennetage seda, et torud võiksid pumba sisendites (3) ja (4) ülekoormust edasi kanda – sellega väldite deformatsioone või purunemisi.

**Alati on soovitatav paigaldada pump pumbatavale vedelikule võimalikult lähedale.**

Pump peab olema paigaldatud horisontaalsesse asendisse.

Torude sisemine diameeter ei tohi kunagi olla väiksem kui pumba sisendi diameeter. Imemispoolel on pumbal filter (1) ja tagasilöögiklapp (5).

Imemissügavustel, mis ületavad neljameetrit, või märkimisväärselt horisontaalsete radade korral on soovitatav kasutada imemistoru, mille diameeter on suurem kui pumba sisendil. Imemisvoolikus õhutaskute tekke vältimiseks veenduge, et imemistoru oleks pumba suhtes kergelt positiivse kaldega. Joonis 2

Kui imemistoru on valmistatud kummist või pandlikust materjalist, kontrollige alati, et see oleks tugevdatud ja vaakumikindel, et ennetada toru kokku tõmbumist imemise tagajärjel.

Fikseeritud paigalduse korral soovitame nii imemis- kui ka väljundpoolele paigaldada väljalülitusventiil. See võimaldab teil pumba liini ülemjooksu või alamjooksu sulgeda ajaks, mil pump ei ole kasutuses, või selleks, et teha hooldustöid või pumba puhastada.

Paigaldamise lihtsustamiseks on pumbal pöörlevad sisendid (3) ja (4).

Painduvate voolikute korral kasutage vajadusel kaart joonisel 1 ning aiakomplekti, mille hulka kuuluvad PE voolik ja pihustiotsikute komplekt, mis pole komplektis, kuid mille saab eraldi osta.

Väga väikeste mullaosakeste korral peaksite lisaks integreeritud filtrile (1) kasutama ka pumba sisendi filtrit, mis paigaldatakse imivoolikule.

- Vältige liigselt käivitusi ühe tunni jooksul; on rangelt soovituslik mitte ületada 20 käivituskorda tunni kohta.



**Imivooliku diameeter peab olema võrdne pumba sisendi diameetriga või sellest suurem, vaadake tabelit 3.**

## 7. ELEKTRIÜHENDUS



Veenduge, et toitepinge vastab mootori plaadil toodud pingele ning et kasutatakse head maandusühendust. Järgige infoplaadil ja selles käsiraamatus toodud juhendeid, 3 tabel.

**Pumba toitejuhtme pikkus seab paigalduskaugusele piirangud. Kui peate kasutama pikendusjuhet, veenduge, et see oleks sama tüüpi (näiteks H05 RN-F või H07 RN-F sõltuvalt paigaldusest), vaadake tabel.3.**

## 8. KÄIVITAMINE



Ärge käivitage pumba ilma, et oleksite selle täielikult vedelikuga täitnud – umbes 4 liitrit.

Vee otsa lõppemise korral ühendage pump otsekohe vooluvõrgust lahti, et see välja lülitada. Ärge laske pumbal kuivalt töötada.

1. Enne pumba käivitamist veenduge, et see oleks nõuetekohaselt ette valmistatud ning täielikult puhta veega täidetud – tehke seda ava kaudu pärast läbipaistva filtri (1) käsitsi või komplektis oleva tööriistaga eemaldamist. See tegevus on oluline selleks, et tagada pumba õige töö, et mehhaaniline tihend oleks nõuetekohaselt määritud. **Kuivalt töötamine tekitab mehhaanilisele tihendile parandamatuid kahjustusi.**
2. Äravooluava kork tuleb seejärel hoolikalt lõpuni tagasi keerata,(1).
3. Ühendage toitejuhe 230 V seinakontaktiga. Täiteava kork tuleb seejärel hoolikalt lõpuni tagasi keerata (1) ning tagasi tuleb panna ka tõmbeluugi kate (2).
4. Pump peatub automaatselt, kui jõuab maksimaalse rõhuni. Kui vee kasutamise ajal on rõhk minimaalsest rõhust madalam, käivitub pump automaatselt. Vt tabelit 3.
5. Pumba täielikuks välja lülitamiseks eemaldage toitekaabel.





Kui praimimisega on probleeme, korrake toimingut, kuni kogu õhk imitorust on kadunud.

## 9. ETTEVAATUSABINÕUD

**KÜLMUMISOHT:** kui pumpa miinuskraadide juures ei kasutata, peate veenduma, et selles ei oleks vett, mis võiks külmudes ja paisudes plastikosi kahjustada.

Kui pumpa on kasutatud ainetega, mis kipuvad settima, või klooriveega, loputage seda pärast kasutamist tugeva veejoa all, et vältida kogumite või katlakivi teket, mis halvendaks pumpa töomadusi.

## 10. HOOLDUS JA PUHASTAMINE

Tavakasutuses pump hooldust ei vaja. Igaljuhul peab hooldus või remont toimuma seadme vooluvõrgust väljalülitatuna. Pumba uuesti käivitamisel veenduge, et see oleks nõuetekohaselt kokku pandud, et mitte ohustada esemeid ja inimesi.

### 10.1 Sisendvõre puhastamine

#### (Joonis 3)

- Lülita vooluvõrgust välja.
- Laske pump veest tühjaks, avades selleks äravooluava (6) ning sulgedes esmalt ülemjooksu avamentiilid (kui need on olemas).
- Keerake filtrikambri kate kas käsitsi või komplektis oleva vastava tööriista abil lahti.
- Eemaldage see filtriüksuse kohalt.
- Loputage korki voolava veega ning puhastage filter pehme harjaga.
- Asetage filter tagasi, tegutsedes vastupidises järjekorras.

### 10.2 Tagasilöögiklapi puhastamine

#### (Joonis 4)

- Lülita vooluvõrgust välja.
- Eemaldage tagasilöögiklapi kate (5) komplektis oleva tööriistaga.
- Eemaldage tagasilöögiklapp ning puhastage see mustusest, joonis 9.
- Pange osad tagasi kokku vastupidises järjekorras koost lahti võtmisele.

## 11. VEAOTSING



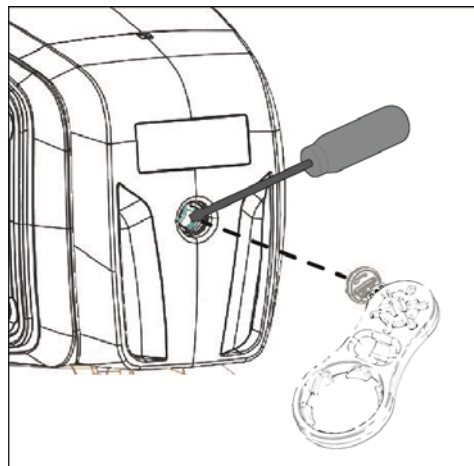
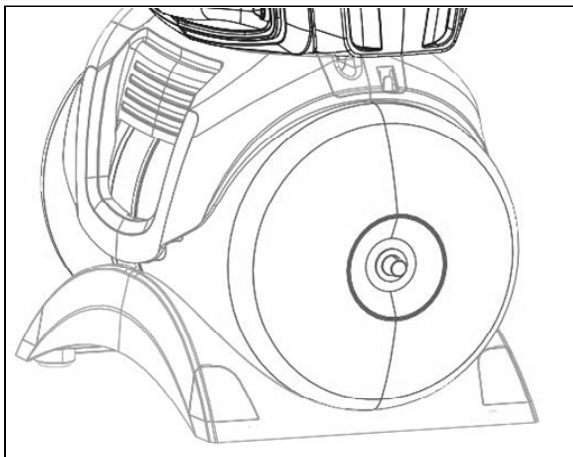
Enne veaotsinguga alustamist peate pumba elektrivõrgust lahti ühendama (pistiku seinakontaktist välja tõmbama). Kui pumba toitejuhe või mis tahes muu elektriline osa on kahjustunud, peab riskide vältimiseks parandus- või vahetustöid tegema tootja või tootja tehnilise abi pakkuja või võrdse kvalifikatsiooniga isik.

VEAD	VÕIMALIKUD PÕHJUSED	LAHENDUSED
1. Mootor ei käivitu ega tekita müra.	A. Kontrollige üle elektriühendused. B. Veenduge, et mootoril on toide. C. Kontrollige kaitsmeid. D. Võimalik, et termaalne kaitse on käivitunud.	C. Läbipõlemise korral vahetage need välja. D. Oodake umbes 20 minutit, et mootor maha jahtuks. Tehke kindlaks rikke põhjus ja kõrvaldage see. <b>Märkus:</b> kui rike kordub kohe uuesti, tähendab see seda, et mootor on lühises.
2. Mootor ei käivitu, kuid tekitab müra.	A. Veenuge, et toiteallika pinge vastab plaadil toodud spetsifikatsioonidele. B. Kontrollige, ega pumbas või mootoris takistusi pole. C. Veenduge, et võll ei oleks kinni kiilunud. D. Kontrollige kondensaatori seisundit.	B. Eemaldage takistus. C. Kasutage komplektis olevat tööriista katte avamiseks ning päästke võll kruvikeeraja abil lahti. D. Vahetage kondensaator välja.
3. Mootor töötab raskustega.	A. Veenduge, et toitepinge oleks piisav. B. Kontrollige, et paigal seisvad ja liikuvad osad teineteist ei kraabiks.	B. Eemaldage kraapimise põhjused.
4. Pumbast ei tule vett.	A. Pump ei ole nõuetekohaselt ette valmistatud. B. Imitoru diameeter on liiga väike. C. Tagasilöögiklapp või filter on ummistunud.	A. Täitke pump veega ning valmistage see ette, laske kindlasti ka ventilatsiooniava katte lahti kruvimisega õhk pumbast välja. B. Vahetage voolik suurema diameetriga vooliku vastu. C. Puhastage filter ning, kui sellest ei piisa, ka tagasilöögiklapp.
5. Pump ei valmistu ette.	A. Õhu sisse imemine imemisliini kaudu. B. Sisendtoru/vooliku negatiivne kalle soodustab õhutaskute teket.	A. Lahendage see probleem, kontrollides ühenduste ning imemistoru/vooliku tihedust ning korrake ettevalmistustegevusi. B. Korrigeerige imemisliini kallet.

VEAD	VÕIMALIKUD PÕHJUSED	LAHENDUSED
------	---------------------	------------

## EESTI

6. Pumbast voolab liiga vähe vett.	A. Imemisvoolik on blokeeritud. B. Tööratas on kulunud või blokeeritud. C. Imitoru diameeter on liiga väike.	A. Puhastage imemistoru. B. Eemaldage takistus või vahetage kulunud osad välja. C. Vahetage voolik suurema diameetriga vooliku vastu.
7. Pump käivitub ja peatub sageli.	A. Paisupaagi membraan on kahjustatud. B. Paisupaagi rõhk on liiga madal.	A. Laske vastava voltusega tehnikul membraan välja vahetada. B. Laadige paisupaak rõhuni suurusega 1,6 +/- 0,2 bari. Vt tabelit 3.
8. Pump vibreerib ja tekitab müra.	A. Kontrollige, et pump ja torud oleksid kindlalt ühendatud. B. Pumba nõudlus vee järele on suurem kui pumba suutlikkus. C. Pump ei tööta vastavalt plaadil toodud spetsifikatsioonidele.	A. Kruvige kõik lahtised osad korralikult kinni. B. Vähendage imemiskõrgust või kontrollige lekete olemasolu. C. Kasuks võib tulla väljuva voolukiiruse piiramine.



### TÄITKE PAISUPAAK VEEGA

Paisupaagi rõhk peaks olema umbes 1,6 +/- 0,2 bari. Enne seadme kohale toimetamist teeb tootja standardse laadimise ning seega ei ole enne esimest käivitust vaja midagi teha.

Õhuga täitmiseks kasutage õhupumpa või kummi täispumpamisseedet, millel on rõhumõõtur (manomeeter).

1. Eemaldage kaitsekate
2. Ühendage õhupump või kummi täispumpamisseedet paisupaagi ventiili külge ning pumbake õhku, kuni rõhumõõtur (manomeeter) näitab umbes 1,6 +/- 0,2 bari.
3. Pange kaitsekate tagasi.

### 12. GARANTII



**Iga seadme varasemalt heakskiitmata muutmise vabastab tootja vastutusest. Kõik remondis kasutatavada varuosad peavad olema originaalid ja kõik lisandid peavad olema tootja poolt kinnitanud, et garanteerida seadmete ja süsteemide, kuhu see on paigaldatud maksimaalne turvalisus.**

Sellel tootel on õiguslik garantii (Euroopa Ühenduses 24 kuud alates ostukuupäevast) defektide osas, mis on põhjustatud tootmisest või kasutatud materjalist.

Garantii all olev toode asnedatakse töökorras oleva tootega või remonditakse tasuta, kui allolevad tingimused on täidetud:

- Seadet on kasutatud õigesti ning vastavalt juhenditele, ilma kolmanda osapoole poolt teostatud remondita
- Toote on tagasi toodud müügipunkti, kus see on ostetud ostudokumentidega (arve või müügikviitung) ning tekkinud probleemi lühikirjeldusega.

Garantii ei hõlma tiivikut ja muid kuluvaid osakesi. Garantii ei pikenda esimesest garantiiperioodi.

# SISÄLTÖ

1. KÄYTTÖTAVAT .....	56
2. PUMPATTAVAT NESTEET .....	56
3. TEKNISET TIEDOT JA KÄYTTÖRAJOITUKSET .....	57
4. KÄSITTELY .....	57
4.1 Varastointi .....	57
4.2 Kuljetus.....	57
4.3 Paino ja mitat.....	57
5. VAROITUKSIA .....	57
6. ASENNUS .....	58
7. SÄHKÖLIITÄNTÄ .....	58
8. KÄYNNISTYS.....	58
9. VAROITIMET.....	59
10. HUOLTO JA PUHDISTUS .....	59
10.1 Imusuodattimen puhdistus .....	59
10.2 Takaiskuventtiilin puhdistus.....	59
11. VIANETSINTÄ.....	59
TÄYTÄ PAISUNTASÄILIÖ ILMALLA .....	60
12. TAKUU .....	60

## VAROITUKSIA



Lue kaikki ohjeet huolellisesti ennen asennusta:



Irrota pistoke ennen toimenpiteitä. Vältä ehdottomasti kuivakäyttöä.



Suojaa sähköpumppu ilmastotekijöiltä.



Ylikuormitussuoja. Pumppu on varustettu moottorin lämpösuojalla. Jos moottori ylikuumentuu, moottorin lämpösuoja pysäyttää pumpun automaattisesti. Jäähymisaika on noin 15-20 minuuttia, minkä jälkeen pumppu käynnistyy uudelleen automaattisesti. Jos moottorin lämpösuoja laukeaa, etsi ehdottomasti laukeamisen syy ja korjaa se. Lue Vianetsintä-luku.

## 1. KÄYTTÖTAVAT

Keskikipakopumput automaattisella suihkuimulla, joihin kuuluu erinomainen imukyky myös jos paikalla on hiilihappovettä. Tarkoitettu erityisesti mökkien vedensyöttöön ja -paineistukseen. Soveltuu pienviljelyksiin vihannes- ja puutarhoissa, kotitalouksien hätätiloihin ja harrastuskäyttöön. Kompaktin muotonsa ja helpon käsiteltävyytensä ansiosta sitä voidaan hätätilanteessa käyttää kannettavana pumppuna myös muihin tarkoituksiin, esim. vedenottoon säiliöistä tai vesistöistä.



Aihekohtaisten voimassa olevien tapaturmantorjuntamääräysten mukaan näitä pumppuja ei tule käyttää uima-altaissa, lammissa tai piha-altaissa, joissa on ihmisiä. Niillä ei myöskään tule pumpata hiilivetyjä (bensini, dieselöljy, polttoöljyt, liuottimet jne.). Puhdista pumppu ennen sen asettamista varastoon. Katso Huolto ja puhdistus.

## 2. PUMPATTAVAT NESTEET

Puhdas, ei kiinteitä tai hankaavia osia, ei aggressiivinen.

Puhdas vesi	•
Sadevesi (suodatettu)	•
Kirkas jätevesi	○
Likainen vesi	○
Lähdevesi (suodatettu)	•
Joki- tai järvi- vesi (suodatettu)	•
Juomavesi	•

Taulukko 1

- Soveltuu
- Ei sovellu

## 3. TEKNISET TIEDOT JA KÄYTTÖRAJOITUKSET

- **Sähköjännite: 230 V**, ks. Arvokilpi
- **Viivesulakkeet (versio 230 V):** viitteelliset arvot (A)
- **Varastointilämpötila:** -10 - +40 °C

Malli	Verkkosulakkeet 230 V 50 Hz
P1= 850 W	4
P1= 1.100 W	6

Taulukko 2

	Malli	P1=850W	P1=1100W
Sähkötiedot	P1 nimellistehonkulutus [W]	850	1100
	P2 [W]	600	750
	Verkkojännite [V]	1 ~ 220-240 AC	
	Verkkotaajuus [Hz]	50	
	Virta [A]	3.88	4.58
	Kondensaattori [µF]	12.5	16
	Kondensaattori [Vc]	450	
Hydrauliset arvot	Maks.virtausnopeus [L/h]	3.180	3.750
	Maks.painekorkeus [m]	43	45
	Maks.painekorkeus [bar]	4.3	4.5
	Maks.paine [bar]	6	
	Maks.imusyvyys [m/min]	8 m / < 3min	
	Käynnistyspaine [bar]	1.8	
	Sammutuspaine [bar]	3.2	
	Painemittari	Painemittari	Painemittari
Käyttöalue	Sähköjohdon pituus [m]	1.5	
	Johdon tyyppi	H07 RNF	
	Moottorin suoja-aste	IP X4	
	Eristysluokka	F	
	Nesteen lämpötila-alue [°C] kotitalouskäytössä standardin EN 60335-2-41 mukaan	0 °C / +35 °C	
	Hiukkasten maks.koko	puhdas vesi	
	Ympäröivä maks.lämpötila [°C]	+40 °C	
Paino	DNM GAS	1" M	
	Likimäär. netto/bruttopaino [kg]	14/16.6	14.8/17.4

Taulukko 3



**Pumppu ei kykene kannattamaan letkujen painoa. Tue letkut asianmukaisesti.**

## 4. KÄSITTELY

## 4.1 Varastointi

Kaikkia pumppuja tulee säilyttää suojatussa ja kuivassa tilassa, jonka ilmankosteus on mahdollisimman tasainen ja jossa ei ole tärinää tai pölyä. Pumppu toimitetaan alkuperäisessä pakkauksessaan, jossa se tulee säilyttää asennukseen asti.

## 4.2 Kuljetus

Älä kohdistu laitteeseen turhia iskuja tai törmäyksiä.

## 4.3 Paino ja mitat

Pakkaukseen kiinnitetystä tarrasta ilmoitetaan sähköpumpun kokonaispaino ja mitat.

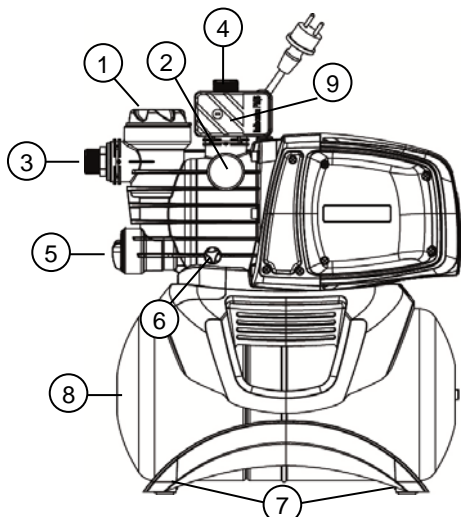
## 5. VAROITUKSIA



**Älä koskaan kuljeta tai nosta pumppua sähköjohdosta tai käynnistä sitä sen roikkuessa sähköjohdon varassa. Käytä erityistä kahvaa.**

- Pumppua ei saa koskaan käyttää kuivana.

## 6. ASENNUS



- 1 Esisuodatin
- 2 Painemittari
- 3 Käännettävä imuliitäntä
- 4 Poistoliitäntä
- 5 Sisäänrakennettu takaiskuventtiili
- 6 Tyhjennystulppa
- 7 Tärinää vaimentavat tukijalat
- 8 18 L:n säiliö
- 9 Virtauskytkin

Sähköpumppu tulee asentaa ilmastotekijöiltä suojattuun paikkaan, jonka ympäröivä lämpötila ei ole yli 40 °C.

Pumpussa on tärinää vaimentavat tukijalat. Jos pumppu asennetaan kiinteästi, ne voidaan poistaa ja pumppu ankkuroida tukialustaan (7).

Varmista, etteivät letkut kohdistu liiallista kuormitusta pumpun aukkoihin (3) ja (4). Seurauksena saattaa olla vääntyminen tai rikkoutuminen.

**Pumppu on aina hyvä asemoida mahdollisimman lähelle pumpattavaa nestettä.**

Pumppu on asennettava yksinomaan vaakasuoraan asentoon.

Letkujen sisähalkaisija ei saa koskaan olla sähköpumpun aukkoja pienempi. Pumpun imupuolella on suodatin (1) ja takaiskuventtiili (5).

Kun kyseessä on yli neljän metrin imusyvyys tai jos kyseessä on huomattavat vaakasuoraan tehtävät reitit on hyvä käyttää imuputkea, jonka läpimitta on suurempi sähköpumpun imuaukkoon nähden. Estääksesi ilmataskujen muodostumista imuputken sisälle, asenna sähköpumpun suuntaan menevä imuputki kevyesti kaltevaan asentoon.

Kuva 2

Jos imuletku on kumia tai joustavaa materiaalia, tarkista aina että se on vahvistettua ja alipainetta kestävä tyyppiä, ettei se painu kokoon imun vaikutuksesta.

Jos pumppu asennetaan kiinteästi, asenna sulkuventtiili sekä imu- että painepuolelle. Siten voit sulkea järjestelmän pumppua ennen ja/tai sen jälkeen. Tämä on hyödyllistä suoritettaessa huoltoja ja puhdistuksia tai pumpun käyttötaukojen aikana.

Asennuksen helpottamiseksi pumppu on varustettu käännettävällä imu (3) ja (4).

Käytä letkuille tarvittaessa erikseen tilattavia kulmakappaletta (kuva 1) ja puutarhasarjaa, johon sisältyy PE-putki, liittinsarja ja suutin.

Jos likahiukkaset ovat hyvin pienikokoisia, käytä sisäänrakennetun suodattimen (1) lisäksi imuletkuun asennettua pumpun imusuodatinta.

- Moottorin käynnistysmäärä tunnissa ei saa olla liiallinen. Se ei saa ylittää 20 käynnistystä tunnissa.



**Il diametro del tubo aspirante deve essere maggiore o uguale al diametro della bocca dell'elettropompa, vedi Tabella 3.**

## 7. SÄHKÖLIITÄNTÄ



Varmista, että verkkovirta vastaa syötettävän moottorin kilvessä annettua arvoa ja että MAADOITUS ON MAHDOLLISTA SUORITTAA. **Noudata arvokilven ja tämän käyttöoppaan taulukon 3 arvoja.**

**Pumpun asennusetäisyys riippuu sähköjohdon pituudesta. Jos tarvitset jatkojohtoa, varmista että se on samaa tyyppiä** (esim. H05 RN-F tai H07 RN-F järjestelmästä riippuen), katso taulukko 3.

## 8. KÄYNNISTYS



Täytä pumppu ennen käynnistystä kokonaan nesteellä (noin 4 litraa).

Jos vesi loppuu, sammuta pumppu välittömästi irrottamalla pistoke pistorasiasta. Vältä kuivakäyttöä.

1. Tarkista ennen käynnistystä, että pumppu on käynnistystätetty asianmukaisesti. Täytä se kokonaan puhtaalla vedellä täyttöreian kautta poistamalla suodattimen läpinäkyvä täyttötulppa (1) käsin tai ohessa toimitetulla työkalulla. Tämä toimenpide on oleellinen pumpun oikeaa toimintaa varten ja välttämätön mekaanisen tiivisteiden hyvää voitelua varten. **Kuivakäynti saa aikaan korjaamattomia vikoja mekaaniselle tiivisteelle.**
2. Täyttötulppa (1) tulee tämän jälkeen ruuvata huolellisesti kiinni pohjaan asti.
3. Kytke pistoke 230 V:n pistorasiaan. **Varoitus!** Pumpun moottori käynnistyy välittömästi. Vettä alkaa tulla ulos enintään 3 minuutin kuluttua riippuen kaivon tai säiliön vedensyvyydestä.
4. Kun maksimipaine saavutetaan, pumppu kytkeytyy pois automaattisesti. Jos paine laskee minimiarvon alapuolelle veden käytön aikana, pumppu kytkeytyy päälle automaattisesti. Katso taulukko 3.
5. Sammuta pumppu kokonaan irrottamalla pistoke pistorasiasta.



Jos käynnistystyössä on ongelmia, toista toimenpidettä, kunnes kaikki ilma on poistunut imupuolelta.

## 9. VAROTOIMET

**JÄÄTYMISVAARA:** jos pumppu jätetään käyttötouon ajaksi alle 0 °C:n lämpötilaan, varmista ettei siihen ole jäänyt vettä, joka jäätyessään aiheuttaa muoviosien halkeilua.

Jos pumppua on käytetty aineissa, jotka pyrkivät kerääntymään, tai klooria sisältävässä vedessä, huuhtelee se käytön jälkeen voimakkaalla vesisuihkulla. Siten estät pumpun ominaisuuksia heikentävien kerääntymien tai saostumien muodostumisen.

## 10. HUOLTO JA PUHDISTUS

Sähköpumppua ei tarvitse huoltaa, jos sitä käytetään normaalisti. Pumpun sähkö tulee joka tapauksessa katkaista aina ennen korjauksia ja huoltoja. Varmista aina käynnistäessäsi pumpun uudelleen, että se on asennettu asianmukaisesti välttääksesi henkilöihin ja esineisiin kohdistuvat vaarat.

### 10.1 Imusuodattimen puhdistus

(kuva 3)

- Katkaise pumpun sähkö.
- Sulje ennen pumppua sijaitsevat luistiventtiilit (jos asennettu) ja anna pumpun tyhjentyä avaamalla tyhjennystulppa (6).
- Ruuvaa auki suodatinkammion kansi käsin tai ohessa toimitetulla työkalulla.
- Poista suodatinyksikkö ylhäältä.
- Huuhtelee malja juoksevan veden alla ja puhdistaa suodatin pehmeällä harjalla.
- Asenna suodatin takaisin suorittamalla toimenpiteet vastakkaisessa järjestyksessä.

### 10.2 Takaiskuventtiilin puhdistus

(kuva 4)

- Katkaise pumpun sähkö.
- Poista takaiskuventtiilin tulppa (5) ohessa toimitetulla työkalulla.
- Poista takaiskuventtiili ja poista siitä tarvittaessa lika (kuva 9).
- Kokoa osat vastakkaisessa järjestyksessä purkamiseen nähden.

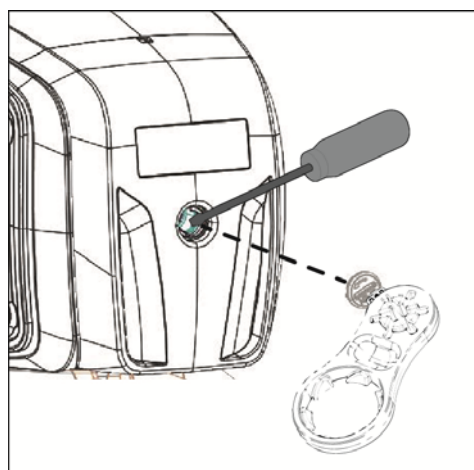
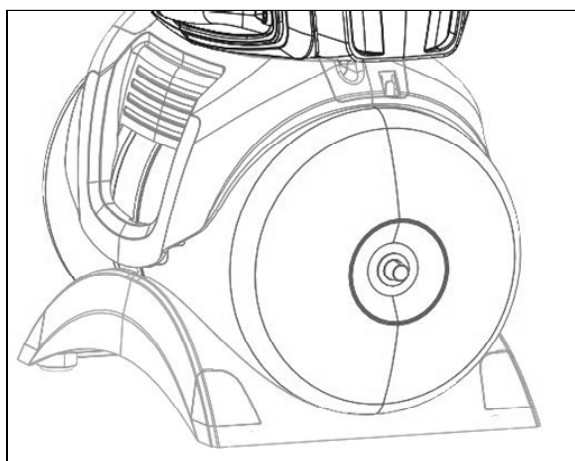
## 11. VIANETSINTÄ



**Katkaise pumpun sähkö ennen vianetsintää (irrota pistoke pistorasiasta). Jos sähköjohto tai muu pumpun sähköosa on vaurioitunut, ainoastaan valmistaja, sen valtuuttama huoltoliike tai ammattitaitoinen henkilö saa suorittaa korjaukset tai vaihdot, jotta käyttö on turvallista.**

VIKA	TARKASTUKSET (mahdolliset syyt)	KORJAUSTOIMENPITEET
1. Moottori ei käynnisty eikä saa aikaan melua.	A. Tarkista sähköliitännät. B. Tarkista, että moottorissa on virta. C. Tarkista suojaavat sulakkeet. D. Lämpösuoja on saattanut laueta.	C. Vaihda ne uusiin jos ne ovat palaneet. D. Odota noin 20 minuuttia, että moottori jäähtyy. Tarkista laukeamisen syy ja korjaa se. <b>HUOM:</b> jos vika uusiutuu välittömästi se tarkoittaa, että moottorissa on syntynyt oikosulku.
2. Moottori ei käynnisty mutta saa aikaan melu.	A. Varmista, että verkkojännite vastaa kilvessä osoitettua jännitettä. B. Etsi mahdolliset pumpussa tai moottorissa esiintyvät tukkeumat. C. Tarkista, ettei akseli ole jumissa. D. Tarkista lauhduttimen tila.	B. Poista tukkeumat. C. Käytä ohessa toimitettua työkalua ruuvataksesi kannen auki ja irrota akseli ruuvimeisselillä. D. Vaihda lauhdutin.
3. Moottorin pyörimässä ongelmia.	A. Varmista, että syöttöjännite on riittävä. B. Tarkista liikkuvien ja kiinteiden osien välissä syntyvät hankaumat.	B. Poista hankautumista aiheuttavat syyt.
4. Pumppu ei ime.	A. Pumppua ei ole esitäytetty oikein. B. Imuputken läpimitta on riittämätön. C. Takaiskuventtiili tai suodatin on tukossa	A. Täytä pumppu vedellä ja suorita käynnistystyttö. Muista poistaa ilma ruuvaamalla ilmaustulppa auki. B. Vaihda putki läpimitaltaan suurempaan putkeen. C. Puhdista suodatin ja tarvittaessa myös takaiskuventtiili.
5. Pumppu ei ime.	A. Pumppu imee ilmaa imuletkun kautta. B. Imuputken negatiivinen kaltevuus saa aikaan imutaskujen syntymisen.	A. Korjaa ilmiö tarkistamalla liitäntöjen tiiviyys ja imuletku. Suorita käynnistystyttö uudelleen. B. Korjaa imuputken kaltevuus.

VIKA	TARKASTUKSET (mahdolliset syyt)	KORJAUSTOIMENPITEET
6. Pumppu ei annostele riittävää virtausta.	A. Imuletku on tukossa. B. Roottori on kulunut tai tukossa. C. Imuputkiston läpimitta on riittämätön.	A. Puhdista imuletku. B. Poista tukkeumat tai vaihda kuluneet osat. C. Vaihda putkisto läpimitaltaan suurempaan putkistoon.
7. Pumppu kytkeytyy päälle ja pois liian usein.	A. Paisuntasäiliön kalvo on vaurioitunut. B. Paisuntasäiliön paine on liian alhainen.	A. Pyydä huoltopalvelua vaihtamaan kalvo. B. Täytä paisuntasäiliö 1,6 +/-0,2 baarin paineeseen. Katso taulukko 3.
8. Pumppu pärisee ja käynti on meluisaa.	A. Tarkista, että pumppu ja putkistot on kiinnitetty kunnolla. B. Pumppu kavitoi eli pyytää suurempaa määrää vettä pumpattavaan määrään nähden. C. Pumppu työskentelee yli kyltissä osoitettujen arvojen.	A. Kiinnitä huolellisesti löystyneet osat. B. Vähennä imukorkeus tai tarkista kuormituksessa esiintyvät vuodot. C. Voi olla hyödyllistä rajoittaa painepuolen kuormitus.



### TÄYTÄ PAISUNTASÄILIÖ ILMALLA

Paisuntasäiliön paineen tulee olla noin 1,6 +/-0,2 bar. Tehtaalla on suoritettu esitäyttö, joten ensimmäisen käynnistyksen yhteydessä ei tarvitse tehdä mitään toimenpiteitä.

Ilmalla täyttöön tulee käyttää ilmapumppua tai painemittarilla varustettua renkaantäyttölaitetta.

1. Ruuvaa suojakansi auki.
2. Kiinnitä ilmapumppu tai renkaantäyttölaitte paisuntasäiliön ventiliiniin ja pumpkaa ilmaa, kunnes painemittari osoittaa noin 1,6 +/-0,2 baarin painetta
3. Ruuvaa suojakansi takaisin.

### 12. TAKUU



**Kaikki muutokset, joille ei ole annettu ennakovaltuutusta, vapauttavat valmistajan kaikesta vastuusta. Kaikkien korjauksissa käytettävien varaosien tulee olla alkuperäisiä ja kaikkien lisävarusteiden valmistajan valtuuttamia, jotta laitteiden ja järjestelmien turvallisuus voidaan taata.**

Tälle tuotteelle annetaan lakimääräinen takuu (Euroopan unionissa 24 kuukautta ostopäivästä alkaen), joka kattaa kaikki valmistus- tai materiaalivioista johtuvat vauriot.

Takuunalainen tuote voidaan harkinnanvaraisesti vaihtaa toiseen täydellisesti toimivaan tuotteeseen tai korjata veloitusetta seuraavissa tapauksissa:

- tuotetta on käytetty oikein ja ohjeiden mukaisesti eikä ostaja tai muu henkilö ole yrittänyt korjata sitä.
- tuote on toimitettu myyntipisteeseen varustettuna ostotodistuksella (lasku tai ostokuitti) ja todetun ongelman lyhyellä selostuksella.

Takuu ei kata juoksupyörää eikä kulutusosia. Takuukorjaus ei missään tapauksessa jatka alkuperäistä takuu-aikaa.

## KAZALO

1. PRIMJENE .....	61
2. TEKUĆINE KOJE SE MOGU PUMPATI .....	61
3. TEHNIČKI PODACI I OGRANIČENJA UPORABE .....	62
4. UPRAVLJANJE .....	62
4.1 Skladištenje .....	62
4.2 Transport .....	62
4.3 Težina i dimenzije .....	62
5. UPOZORENJA .....	62
6. INSTALACIJA .....	63
7. ELEKTRIČNO PRIKLJUČIVANJE .....	63
8. POKRETANJE .....	63
9. MJERE OPREZA .....	64
10. ODRŽAVANJE I ČIŠĆENJE .....	64
10.1 Čišćenje usisnog filtra .....	64
10.2 Čišćenje nepovratnog ventila .....	64
11. TRAŽENJE KVAROVA .....	64
PUNJENJE EKSPANZIJSKE POSUDE ZRAKOM .....	65
12. JAMSTVO .....	65

## UPOZORENJA



Prije nego što nastavite s instalacijom pažljivo pročitajte cijelu dokumentaciju.



Prije svake intervencije izvucite utikač iz utičnice. Bezuvjetno izbjegavajte rad na suho.



Zaštite pumpu od vremenskih nepogoda.



Ove pumpe ne mogu se koristiti u bazenima, lokvama, ili koritima u kojima su prisutne osobe i/ili za pumpanje ugljikovodika (benzina, dizel goriva, ulja korištenog kao gorivo, otapala, itd.) u skladu s važećim normama o zaštiti na radu. Prije odlaganja, dobro je predvidjeti jednu fazu čišćenja. Pogledajte poglavlje "Održavanje i čišćenje".

## 1. PRIMJENE

Samousisne centrifugalne mlazne pumpe s odličnim kapacitetom usisavanja čak i kad u vodi postoje zračni mjehurići. Posebno su preporučljive za napajanje vodom i podizanje tlaka u seoskim imanjima. Prikladne su za malu poljoprivredu u povrtnjacima i vrtovima, za slučajevne nužde u kućanstvu i hobbije u općem smislu. Zahvaljujući kompaktnom obliku, prikladnom za rukovanje, ove pumpe imaju i posebnu primjenu kao prenosive pumpe u slučajevima nužde, kao što su uzimanje vode iz spremnika ili rijeka.



Ove pumpe ne mogu se koristiti u bazenima, lokvama, ili koritima u kojima su prisutne osobe i/ili za pumpanje ugljikovodika (benzina, dizel goriva, ulja korištenog kao gorivo, otapala, itd.) u skladu s važećim normama o zaštiti na radu. Prije odlaganja, dobro je predvidjeti jednu fazu čišćenja. Pogledajte poglavlje "Održavanje i čišćenje".

## 2. TEKUĆINE KOJE SE MOGU PUMPATI

Čista, neagresivna tekućina, bez čvrstih ili abrazivnih tijela.

Svježa voda	•
Kišnica (filtrirana)	•
Čista voda od otpada	○
Prijava voda	○
Voda iz fontane (filtrirana)	•
Jezerska ili riječna voda (filtrirana)	•
Pitka voda	•

Tablica 1

- Pogodna
- Nepogodna



### 3. TEHNIČKI PODACI I OGRANIČENJA UPORABE

- **Napon napajanja: 230 V**, pogledajte pločicu s električnim podacima
- **Tromi linijski osigurači (verzija 230 V)** indikativne vrijednosti (u amperima)
- **Temperatura skladištenja: -10°C +40°C**

Modello	Linijski osigurači 230V 50Hz
P1= 850 W	4
P1= 1.100 W	6

Tablica 2

	Model	P1=850W	P1=1100W
Električni podatci	P1 Nominalna apsorbirana snaga [W]	850	1100
	P2 [W]	600	750
	Mrežni napon [V]	1 ~ 220-240 AC	
	Mrežna frekvencija [Hz]	50	
	Struja [A]	3.88	4.58
	Kondenzator [µF]	12.5	16
	Kondenzator [Vc]	450	
Hidraulički i podatci	Maks. kapacitet protoka [l/h]	3.180	3.750
	Maks. dobavna visina [m]	43	45
	Maks. dobavni tlak [bar]	4.3	4.5
	Maks. tlak [bar]	6	
	Maks. dubina usisavanja [m/min]	8 m / < 3min	
	Tlak pri uključanju [bar]	1.8	
	Tlak pri isključenju [bar]	3.2	
	Pokazivač tlaka	Manometar	Manometar
Polje uporabe	Duljina kabela za napajanje [m]	1.5	
	Vrsta kabela	H07 RNF	
	Stupanj zaštite motora	IP X4	
	Klasa izolacije	F	
	Polje temperature tekućine [°C] prema normi EN 60335-2-41 za uporabu u kućanstvu	0 °C / +35 °C	
	Maks. dimenzija čestica	čista voda	
	Maks. okolna temperatura	+40 °C	
Težina	DNM GAS	1" M	
	Neto/bruto težina cca [kg]	14/16.6	14.8/17.4

Tablica 3



**Pumpa ne može podnijeti težinu cijevi koje se u tom slučaju moraju podržavati na drugi način.**

## 4. UPRAVLJANJE

### 4.1 Skladištenje

Sve pumpe treba skladištiti u zatvorenoj, suhoj prostoriji, bez vibracija i prašine i s vlagom zraka po mogućnosti na konstantnoj vrijednosti. Pumpe se isporučuju u svom originalnom pakiranju u kojem moraju ostati do momenta instalacije.

### 4.2 Transport

Izbjegavajte bespotrebne udarce i sudare proizvoda.

### 4.3 Težina i dimenzije

Na pakiranju se nalazi naljepnica s oznakom ukupne težine i dimenzija električne pumpe.

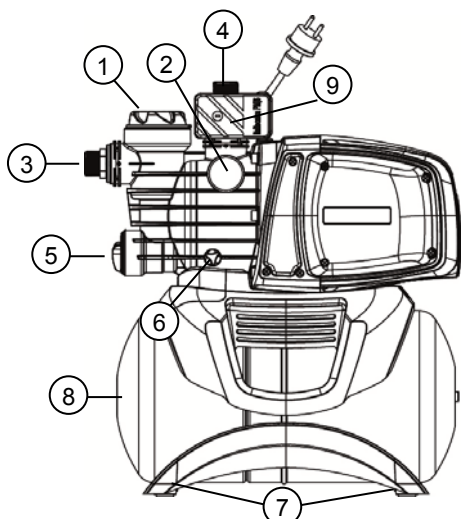
## 5. UPOZORENJA



**Pumpe se nikad ne smiju prenositi, podizati ili puštati u rad obješene za kabel za napajanje. Koristite odgovarajuću ručku.**

- Pumpa ne smije nikad raditi na suho.

## 6. INSTALACIJA



- 1 Predfilter
- 2 Manometar
- 3 Usmjerivi usisni priključak
- 4 Dovodni priključak
- 5 Integrirani nepovratni ventil
- 6 Čep za pražnjenje
- 7 Gumena antivibracijska podnožja
- 8 Spremnik od 18 l.
- 9 Kontrolnik protoka

Električna pumpa mora biti instalirana u prostoru zaštićenom od vremenskih nepogoda, a okolna temperatura ne smije preći 40°C.

Pumpa je opremljena antivibracijskim podnožjima, ali u slučaju nepomične instalacije, moguće ih je ukloniti i predvidjeti pričvršćivanje za osnovicu. Nemojte dozvoliti da cijevi prenose pretjerano opterećenje na otvore pumpe (3) i (4), kako se ne bi stvorile deformacije ili lomljenja.

**Uvijek je poželjno postaviti pumpu što je više moguće u blizini tekućine koju treba pumpati.**

Pumpa mora biti instalirana isključivo u horizontalnom položaju.

Cijevi ne smiju nikad imati unutrašnji promjer manji od promjera otvora električne pumpe; na usisnom dijelu pumpa je opremljena filtrom (1) i nepovratnim ventilom (NRV) (5).

Za usisne dubine preko četiri metra i sa značajnim horizontalnim putanjama, preporučuje se uporaba usisne cijevi većeg promjera od promjera usisnog otvora električne pumpe. Kako bi se izbjeglo stvaranje zračnih rupa u usisnoj cijevi, predvidite mali pozitivni nagib od usisne cijevi prema električnoj pumpi. Sl.2

Ako je usisna cijev izrađena od gume ili fleksibilnog materijala, uvijek provjerite da se radi o vrsti cijevi s ojačanjem otpornim na vakuum kako bi se izbjeglo njeno sužavanje uslijed usisavanja.

U slučaju nepomične instalacije, preporučuje se montaža ventila za zatvaranje i na usisnom i na dovodnom dijelu. To omogućuje zatvaranje linije uzvodno i/ili nizvodno od pumpe, što je korisno za sve intervencije održavanja i čišćenja ili u periodima u kojima se pumpa ne koristi.

Pumpa je opremljena rotirajućim ulazima kako bi se olakšala instalacija. (3) i (4).

U slučaju fleksibilnih cijevi, potrebno je koristiti krivu cijev, sl. 1 i komplet opreme za rad u vrtu koji se sastoji od PE cijevi i kompleta priključaka s uskim nastavkom, koji nisu dio opreme ali se mogu odvojeno nabaviti.

U prisustvu prljavštine vrlo malih dimenzija preporučuje se uporaba, osim integriranog filtra (1) još jednog filtra na ulazu pumpe, montiranog na usisnoj cijevi.

- Nemojte podrgavati motor pretjeranim pokretanjima/sat. Izričito se preporučuje da broj pokretanja ne pređe 20 pokretanja /sat.



**Promjer usisne cijevi mora biti veći ili jednak promjeru otvora električne pumpe, pogledajte Tablicu 3.**

## 7. ELEKTRIČNO PRIKLJUČIVANJE



Uvjerite se da mrežni napon odgovara naponu navedenom na pločici motora i da je moguće izvršiti dobro uzemljenje. **Pridržavajte se uputa navedenih na tehničkoj pločici i u ovom priručniku, u tablici 3.**

**Dužina kabela za napajanje prisutnog na pumpi ograničava udaljenost instalacije. U slučaju da je potreban produžni kabel, uvjerite se da je on iste vrste, pogledajte tab. (npr. H05 RN-F ili H07 RN-F ovisno o instalaciji) pogledajte tab.3.**

## 8. POKRETANJE



Nemojte pokrenuti pumpu ako je niste potpuno napunili tečnošću, otprilike 4 litra.

U slučaju da dođe do nedostatka vodenog resursa, odmah izvucite utikač iz utičnice, kako biste isključili pumpu. Izbjegavajte rad na suho.

1. Prije pokretanja provjerite da li pumpa ispravno usisava, obezbjeđujući njeno potpuno punjenje čistom vodom, preko odgovarajućeg otvora, nakon što ste ručno ili putem odgovarajuće sprave, koja je dio opreme, skinuli čep za punjenje prozirnog filtra (1). Ova radnja je izuzetno važna za savršen rad pumpe, i neophodna je kako bi mehanička brtva bila dobro podmazana. **Rad na suho uzrokuje nepopravljiva oštećenja na mehaničkoj brtvi.**
2. Čep za punjenje mora se nakon tog pažljivo zavrnuti do kraja (1).
3. Umetnite utikač kabela za napajanje u 230 V strujnu utičnicu. **Pažnja!** Motor pumpe će se odmah pokrenuti, voda će početi izlaziti nakon maksimalno 3 minute, što ovisi o dubini razine vode, jame ili cisterne.
4. Kad dostigne maksimalni tlak, pumpa se automatski deaktivira. Ako se, korištenjem vode, tlak spusti ispod minimalnog, pumpa se automatski aktivira. Pogledajte tab. 3.

5. Za definitivno isključivanje pumpe izvucite iz utičnice utikač kabela za napajanje.



U slučaju problema s početnim punjenjem, ponovite postupak dok zrak u usisu potpuno ne nestane.

## 9. MJERE OPREZA

**OPASNOST OD ZAMRZAVANJA:** kad pumpa ostane neaktivna na temperaturi nižoj od 0°C, treba provjeriti da nema preostale vode koja bi se mogla zamrznuti i dovesti do stvaranja naprslina na plastičnim dijelovima.

Ako je pumpa korištena s tvarima koje se polažu, ili s kloriranom vodom, nakon uporabe isperite je snažnim mlazom vode kako bi se izbjeglo stvaranje naslaga koji bi mogle umanjiti svojstva pumpe.

## 10. ODRŽAVANJE I ČIŠĆENJE

Prilikom normalnog rada električna pumpa ne zahtijeva bilo kakvu vrstu održavanja. U svakom slučaju sve intervencije popravki i održavanja moraju se vršiti samo nakon što se pumpa odspoji s mreže napajanja. Kad se pumpa ponovno pokreće, uvjerite se da je ispravno montirana, kako ne bi bila uzrok opasnosti po ljude i stvari.

### 10.1 Čišćenje usisnog filtra

#### (Sl. 3)

- Odspojite električno napajanje pumpe.
- Izvršite drenažu pumpe, tako što ćete otvoriti čep za pražnjenje (6), nakon što ste prvo zatvorili uzvodne zasune (ako su prisutni).
- Odvijte poklopac komore filtra, ručno ili uz pomoć odgovarajuće sprave koja je dio opreme.
- Izvucite odozgo jedinicu filtra.
- Isperite čašu pod tekućom vodom i očistite filter mekanom četkom.
- Ponovo montirajte filter vršeći radnje obrnutim redoslijedom.

### 10.2 Čišćenje nepovratnog ventila

#### (Sl. 4)

- Odspojite električno napajanje pumpe.
- Skinite čep nepovratnog ventila (NRV) (5) spravom koja je dio opreme.
- Skinite zaporni ventil (NRV) i očistite ga od eventualne prljavštine, sl. 9.
- Sklopite dijelove obrnutim redoslijedom u odnosu na rasklapanje.

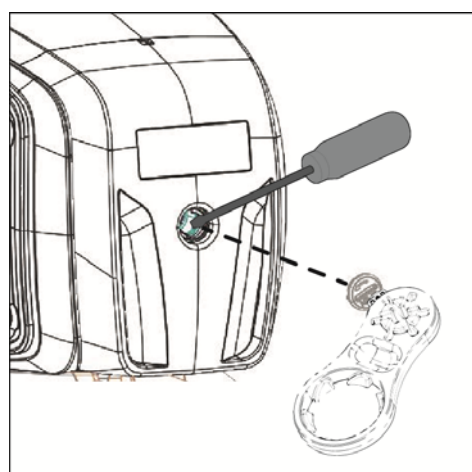
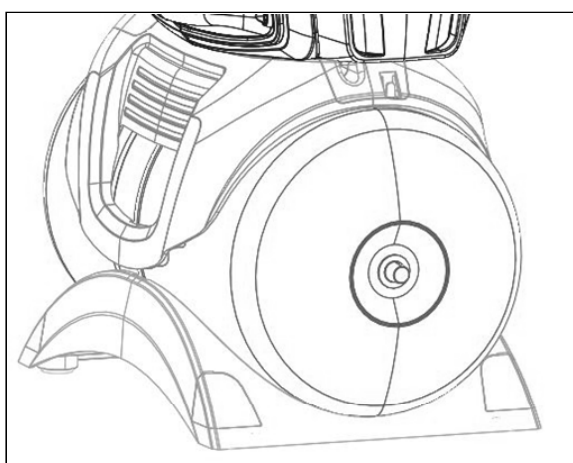
## 11. TRAŽENJE KVAROVA



**Prije nego što započnete tražiti kvarove, potrebno je prekinuti dovod struje u pumpu (izvući utikač iz utičnice). Ako su kabel za napajanje ili pumpa oštećeni na bilo kojem od električnih dijelova, zbog spriječavanja svake opasnosti, popravak ili zamjenu mora vršiti Konstruktor ili njegova služba tehničke potpore ili osoba s jednakom kvalifikacijom.**

SMETNJE	PROVJERE (mogući uzroci)	RJEŠENJA
1. Motor se ne pokreće i ne stvara buku.	A. Provjerite električna povezivanja. B. Provjerite je li motor pod naponom. C. Provjerite zaštitne osigurače. D. Moguća intervencija termičke zaštite.	C. Ako su pregoreli, zamijenite ih. D. Sačekajte otprilike 20 min dok se motor ne ohladi. Provjerite što je uzrok tome i uklonite ga. <b>Napomena:</b> u slučaju da se kvar odmah ponovo pojavi, znači da je motor u kratkom spoju.
2. Motor se ne pokreće, ali stvara buku.	A. Provjerite da mrežni napon odgovara naponu navedenom na pločici motora. B. Pretražite moguće zapreke pumpe ili motora. C. Provjerite je li osovina blokirana. D. Provjerite stanje kondenzatora.	B. Uklonite zapreke. C. Uz pomoć sprave koja je dio opreme odvijte mali poklopac i odvijačem odblokirajte osovinu. D. Zamijenite kondenzator.
3. Motor se okreće uz poteškoće.	A. Provjerite je li napon napajanja nedovoljan. B. Provjerite postoji li struganje između pokretnih i nepokretnih dijelova.	B. Uklonite uzroke struganja.
4. Pumpa ne izbacuje tekućinu.	A. Pumpa ne usisava ispravno. B. Usisna cijev s nedovoljnim promjerom. C. Nepovratni ventil (NRV) ili filter zapriječeni.	A. Napunite pumpu vodom i izvršite usisavanje, pazeći da ispuštite zrak djelujući na čep za odzračivanje. B. Zamijenite cijev drugom cijevi s većim promjerom. C. Dobro očistite filter, a u slučaju da to nije dovoljno i nepovratni ventil (NRV).
5. Pumpa ne usisava.	A. Usisavanje zraka putem usisne cijevi. B. Negativni nagib usisne cijevi pomaže stvaranju zračnih rupa.	A. Uklonite tu pojavu tako što ćete provjeriti nepropusnost priključaka i usisnih cijevi i ponovite radnju usisavanja. B. Ispravite nagib usisne cijevi.

SMETNJE	PROVJERE (mogući uzroci)	RJEŠENJA
6. Pumpa izbacuje nedovoljan protok tekućine.	A. Usisna cijev je zapriječena. B. Rotor je istrošen ili zapriječen. C. Usisna cijev s nedovoljnim promjerom.	A. Dobro očistite usisnu cijev. B. Uklonite zapreke ili zamijenite istrošene pojednosti. C. Zamijenite cijev drugom cijevi s većim promjerom.
7. Pumpa se prečesto aktivira i deaktivira.	A. Membrana ekspanzijske posude je oštećena. B. Tlak ekspanzijske posude je prenizak.	A. Obratite se ovlaštenom tehničkom servisu radi zamjene membrane. B. Napunite ekspanzionu posudu do 1,6 +/- 0,2 bara. Pogledajte tab. 3.
8. Pumpa vibrira i bučno radi.	A. Provjerite jesu li pumpa i cijevi dobro pričvršćene. B. Pumpa radi s kavitacijom, tj. traži veću količinu vode u odnosu na količinu koju može pumpati. C. Pumpa radi s višim vrijednostima u odnosu na one navedene na pločici.	A. Bolje pričvrstite opušteno zidove. B. Smanjite visinu usisavanja ili provjerite gubitak tlaka. C. Može biti od koristi ograničiti dovodni kapacitet protoka.



#### PUNJENJE EKSPANZIJSKE POSUDE ZRAKOM

Tlak u ekspanzijskoj posudi mora biti od oko 1,6 +/- 0,2 bara. Tvornički je već napunjena i stoga kod prvog pokretanja nije potrebno vršiti bilo kakvu radnju.

Za dopunjavanje zrakom potrebna je zračna pumpa ili uređaj za pumpanje pneumatika s pokazivačem tlaka (manometrom).

1. Odvrnite zaštitni poklopac.
2. Postavite zračnu pumpu ili uređaj za pumpanje za pneumatike na ventil ekspanzijske posude i pumpajte zrak dok se na manometru ne prikaže vrijednost od otprilike 1,6 +/- 0,2 bara.
3. Ponovno zavrnite zaštitni poklopac.

#### 12. JAMSTVO



**Bilo kakva promjena koja nije prethodno ovlaštena, oslobađa proizvođača od bilo kakve odgovornosti. Svi rezervni dijelovi korišteni u popravcima moraju biti originalni i sva dodatna oprema mora biti ovlaštena od strane proizvođača, kako bi se mogla jamčiti maksimalna sigurnost strojeva i sustava u kojima se montiraju ove pumpe.**

Ovaj proizvod pokriven je legalnim jamstvom (u Europskoj zajednici rok je 24 mjeseca od datuma kupnje) koje se odnosi na sve defekte nastale greškama u proizvodnji ili uslijed korištenog materijala.

Proizvod u jamstvenom roku može biti, po potrebi, zamijenjen proizvodom u savršenom radnom stanju ili besplatno popravljen ako se poštuju sljedeći uvjeti:

- proizvod je korišten na ispravan način i u skladu s uputama i kupac ili treće osobe nisu ga pokušali popraviti ni na koji način;
- proizvod je predat prodajnom mjestu, uz prilog dokumenta koji potvrđuje njegovu kupnju (faktura ili fiskalni račun) i kratki opis problema.

Rotor i dijelovi podložni trošenju nisu pokriveni jamstvom. Intervencija u jamstvenom roku ni u kom slučaju ne produžuje početni period.

# TARTALOMJEGYZÉK

1. ALKALMAZÁSOK .....	66
2. SZIVATTYÚZHATÓ FOLYADÉKOK .....	66
3. MŰSZAKI ADATOK ÉS FELHASZNÁLÁSOK KORLÁTOZÁSAI.....	67
4. KEZELÉS .....	67
4.1 Tárolás .....	67
4.2 Szállítás.....	67
4.3 Súly és méretek .....	67
5. FIGYELEM .....	67
6. ÖSSZESZERELÉS.....	68
7. ELEKTROMOS BEKÖTÉS.....	68
8. BEINDÍTÁS .....	68
9. ÓVINTÉZKEDÉSE .....	69
10. KARBANTARTÁS ÉS TISZTÍTÁS .....	69
10.1 Szívósűrítő tisztítása.....	69
10.2 NRV szelep tisztítása .....	69
11. HIBAKERESÉS.....	69
A TÁGULÁSI TARTÁLY FELTÖLTÉSE LEVEGŐVEL .....	70
12. GARANCIA .....	70

## FIGYELEM



A telepítés előtt gondosan olvassa el a dokumentációt.



Minden egyes beavatkozás előtt húzza ki a dugót. Kerülje el a szárazon működést.



Védje az elektromos szivattyút az időjárás viszontagságai ellen.



Túlterhelés elleni védelem: a szivattyú el van látva egy hővédelmi kapcsolóval a túlterhelés ellen. A motor esetleges túlmelegedésekor a motorvédelem automatikusan kikapcsolja a szivattyút. A lehűlési idő kb. 15-20 perc, ezt követően a szivattyú auto-matikusan újraindul. A motorvédelem beavatkozása esetén fontos, hogy beazonosítsa a hibajelenség okát és küszöbölje ki a hiba ismételt lehetőségét. Tanulmányozza a hibakeresési táblázatot.

## 1. ALKALMAZÁSOK

Önteltöltődő vízsugárszivattyúk optimális lehetőséget biztosítva a gázos vizek szívásához is. Különösen alkalmas vízellátásra és nyaralók nyomás biztosítására. Alkalmas kis mezőgazdaságokban és kertgazdaságokban, háztartási vészhelyzetekben és hasonló hobbik üzésére. A kompakt és jól kezelhető formájának köszönhetően hordozható szivattyúként is használhatók olyan vészhelyzetekben, amelyekben tartályokból vagy folyókból vizet kell szivattyúzni.



Ezeket a szivattyúkat nem szabad medencékben, szennyvízelvezetőkben, személyekkel tele medencékben vagy szénhidrogének szivattyúzására (benzin, gázolaj, üzemanyagok, oldószerek, stb.) használni a témában érvényes baleset-megelőzési szabványok szerint. Mielőtt helyre teszi, érdemes megtisztítani. Lásd a „Karbantartás és Tisztítás“ fejezetet.

## 2. SZIVATTYÚZHATÓ FOLYADÉKOK

Legyen tiszta, szilárd vagy dörzskoptató ill. agresszív anyagoktól mentes.

Friss víz	•
Esővíz (szűrt)	•
Tiszta szennyvíz	○
Szennyvíz	○
Kútvíz (szűrt)	•
Folyó-, vagy tóvíz (szűrt)	•
Ivóvíz	•

1. táblázat

- Alkalmas
- Nem alkalmas

## 3. MŰSZAKI ADATOK ÉS FELHASZNÁLÁSOK KORLÁTOZÁSAI

- **Tápfeszültség: 230 V**, lásd az elektromos adatok címkét
- **Késleltetett vonal biztosítékok (230 V verzió):** szabványos értékek (Amper)
- **Tárolási hőmérséklet: -10°C +40°C**

Modell	Vonal olvadóbiztosíték 230V 50Hz
P1= 850 W	<b>4</b>
P1= 1.100 W	<b>6</b>

2. táblázat

	Modell	P1=850W	P1=1100W
Elektromos adatok	P1 Névleges elnyelt teljesítmény [W]	850	1100
	P2 [W]	600	750
	Hálózati feszültség [V]	1 ~ 220-240 AC	
	Hálózati frekvencia [Hz]	50	
	Áram [A]	3.88	4.58
	Kondenzátor [µF]	12.5	16
	Kondenzátor [Vc]	450	
Hidraulikus adatok	Max. hozam [l/h]	3.180	3.750
	Max. szállítás [m]	43	45
	Max. szállítás [bar]	4.3	4.5
	Max. nyomás [bar]	6	
	Max. elszívási mélység [m/perc]	8 m / < 3min	
	Bekapcsolási nyomás [bar]	1.8	
	Kikapcsolási nyomás [bar]	3.2	
	Nyomásjelző	Manométer	Manométer
Alkalmazási terület	hossz Tápellátó vezeték [m]	1.5	
	Vezeték típus	H07 RNF	
	Motor védelmi fok	IP X4	
	Szigetelési osztály	F	
	Folyadék hőmérsékleti mező [°C] EN 60335-2-41 szerint otthoni használatra	0 °C / +35 °C	
	A részecskék mérete max.	tiszta víz	
	Max. Szobahőmérséklet [°C]	+40 °C	
Súly	DNM GAS	1" M	
	Nettó/bruttó súly kb. [kg]	14/16.6	14.8/17.4

3. táblázat



A szivattyú nem tudja megtartani a tömlők súlyát, ezt más módon kell megtartani.

## 4. KEZELÉS

## 4.1 Tárolás

Az összes szivattyút zárt, száraz és a páratartalomtól védett helyen kell tartani, lehetőleg állandóan, rezgésektől és poroktól mentesen. Eredeti csomagolásban szállítjuk, és ebben kell maradniuk a telepítés pillanatáig.

## 4.2 Szállítás

Kerülje a termék szükségtelen ütközését és ütődését.

## 4.3 Súly és méretek

A csomagoláson lévő matrica a teljes elektromos szivattyú súlyát és méreteit mutatja.

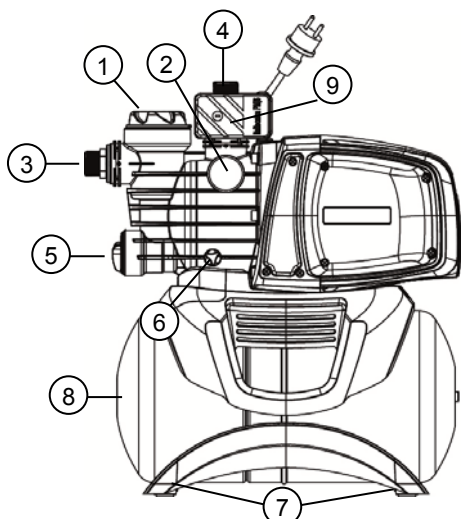
## 5. FIGYELEM



A szivattyúkat nem kell szállítani, felemelni vagy felfüggesztve működtetni a tápvezetéket használva, használja a megfelelő akasztót.

- A szivattyút ne működtesse szárazon.

## 6. ÖSSZESZERELÉS



- 1 Előszűrő
- 2 Manométer
- 3 Beállítható elszívó csatlakozás
- 4 Előremenő csatlakozás
- 5 Beépített nem visszatérő szelep
- 6 Kiürítő dugó
- 7 Rezgéscsökkentő gumilábak
- 8 18 literes tartály
- 9 Áramlásmérő

Az elektromos szivattyút az időjárás viszontagságaitól mentes helyen telepítse, ahol a környezeti hőmérséklet nem lépi túl a 40°C fokot.

A szivattyún rezgéscsökkentő lábak vannak, de állandó telepítés esetén eltávolíthatók és a talpzat hornyolható (7).

Kerülje, hogy a tömlők túlzott erőt adjanak át a szivattyú szájának (3) és (4), hogy ne hozzon létre eldeformálódásokat vagy repedéseket.

**Helyez szem előtt tartani azt, hogy a szivattyút a lehető legközelebb kell elhelyezni a szivattyúzandó vízhez.**

A szivattyú kizárólag vízszintes helyzetben installálható.

A tömlők átmérője soha ne legyen kisebb, mint az elektromos szivattyú szája és beszívásnál a szivattyún van egy szűrő (1) és egy nem visszatérő szelep (NRV) (5).

A négy métert meghaladó szívási mélység vagy jelentős vízszintes csőhosszak esetén javasolt olyan szívócsövet alkalmazni mely nagyobb, mint a szivattyú torokmérete. A szívócsőben kialakuló légszákok kialakulásának elkerülése érdekében gondoskodni kell arról, hogy a szívócső enyhén emelkedjen a szivattyú felé. 2. ábra

Ha a beszívó tömlő gumiból vagy egyéb rugalmas anyagból lenne, akkor mindig ellenőrizze, hogy vákuumnak ellenálló, edzett anyag legyen, hogy elkerülje a beszívás hatása miatti összesűküléseket.

Állandó telepítés esetén ajánlatos zárószelepet felszerelni a beszívó és az előremenő oldalra is. Ez lehetővé teszi, hogy a szivattyú felső szakaszát és/vagy az alsó szakaszát elzárhassa, amely az összes karbantartó és tisztító műveleteknél hasznos, ahol a szivattyút nem használja.

A szivattyún forgó bemenetek vannak, a telepítés megkönnyítéséhez. (3) és (4).

Rugalmas tömlők esetén szükség esetén használjon meghajlított idomot (1. ábra) és a kertészkedési készletben található PE anyagból készült tömlőt és lándzsás csővégekészletet, amelyeket nem szállítunk, de külön megvásárolhatók. Kisméretű szennyeződések jelenléte esetén ajánlatos a beépített szűrőn kívül (1) a beszívó tömlőre szerelt szivattyú bemeneti szűrő használata.

- A motort ne tegye ki túlzottan sok beindításnak/működési órának, kifejezetten ajánlatos nem túllépni a 20 beindítást/órát.



**A beszívó tömlő átmérője legyen nagyobb vagy egyenlő az elektromos szivattyú átmérőjével, lásd 3. táblázat.**

## 7. ELEKTROMOS BEKÖTÉS



Győződjön meg arról, hogy a rendelkezésre álló elektromos feszültség megfelel a motor adattábláján feltüntetett feszültségnek és ALAKÍTSON KI EGY JÓ VÉDŐFÖLDELÉST. **Tartsa be a műszaki címkén és ebben a 3. táblázatban megadott utasításokat.**

**A szivattyún lévő tápvezeték hossza korlátozza a telepítési távolságot, ha hosszabbítóra van szüksége, akkor azonos típusút használjon (pl.H05 RN-F vagy H07 RN-F a telepítéstől függően) lásd 3. tábl.**

## 8. BEINDÍTÁS



Ne indítsa be a szivattyút, mielőtt nem töltötte fel teljesen, kb. 4 liter folyadékkal.

Ha a vízforrás kiürült, akkor azonnal húzza ki a dugót, a szivattyút kikapcsolva. Kerülje a szárazon futást.

1. A beindítás előtt ellenőrizze, hogy a szivattyú rendszeren és teljesen feltöltötte tiszta vízzel a megfelelő lyukon keresztül, miután eltávolította az átlátszó szűrő betöltő dugót (1) a kezével vagy a csomagban található megfelelő szerszámmal. Ez a művelet alapvető fontosságú a szivattyú helyes működése érdekében, mivel elengedhetetlenül fontos a csúszógyűrűs tömítés vízzel való kenése. **A szárazon történő működtetés visszavonhatatlan károsodást okoz a csúszógyűrűs tömítésnél.**
2. A betöltő dugót teljesen csavarozza be (1).
3. Dugja be a dugót 230 V-os konnektorba. **Figyelem!** A szivattyú motorja azonnal beindul, a víz elkezd kifolyni legfeljebb 3 perc után, ami a kútban vagy a csatornában lévő vízszint mélységétől függ.
4. A maximális nyomás elérése után a szivattyú automatikusan kikapcsol. Ha vízhasználat esetén a nyomás a minimális nyomás alá süllyed, akkor a szivattyú automatikusan bekapcsol. Lásd a 3. táblázatot.
5. A szivattyú végleges kikapcsolásához húzza ki a dugót a tápellátó vezetékéből.



Ha problémái vannak a feltöltéssel, akkor ismétlje meg a kezelést, amíg az összes levegő eltűnik a beszíváskor.

## 9. ÓVINTÉZKEDÉSE

**FAGYVÉDELEM:** amikor a szivattyú 0°C alatti hőmérsékleten van, akkor ellenőrizze, hogy nincsenek vízmaradványok, amelyek megfagyva megrepeszthetik a műanyag részeket.

Ha a szivattyút lerakódásra hajlamos részekkel használta vagy klóros vízzel, akkor a használat után öblítse ki erős vízszugárral, hogy elkerülje a lerakódások vagy szennyeződések képződését, amelyek csökkentenék a szivattyú jellemzőit.

## 10. KARBANTARTÁS ÉS TISZTÍTÁS

Az elektromos szivattyú normális működés közben nem igényel semmilyen karbantartást. Mindenesetre az összes javítási és karbantartási közbeavatkozást csak akkor végezze, miután a szivattyút leválasztotta a táphálózatról. Amikor újra beindítja a szivattyút, akkor ellenőrizze, hogy rendesen visszaszerelte, hogy ne hozzon létre személyekre vagy tárgyakra veszélyes helyzeteket.

### 10.1 Szívószűrő tisztítása

(3. ábra)

- Húzza ki az elektromos szivattyú tápellátását.
- Eressze le a szivattyút, a leeresztődugó (6) megnyitásával, előtte zárja el a felmenő oldalon a zárószelepet (ha van ilyen).
- Hajtsa ki a szűrő kamera fedelét kézzel vagy a csomagban található megfelelő szerszámmal.
- Húzza ki felülről a szűrőegységet.
- Öblítse ki a poharat folyóvízzel és tisztítsa meg a szűrőt puha kefével.
- Szerelje vissza a szűrőt a folyamatok ellenkező sorrendben végrehajtásával.

### 10.2 NRV szelep tisztítása

(4. ábra)

- Húzza ki az elektromos szivattyú tápellátását.
- Távolítsa el az NRV dugót (5) a csomagban található szerszámmal
- Távolítsa el az NRV visszacsapó szelepet és tisztítsa meg a szennyeződésektől 9. ábra
- Szerelje össze az összes részt a szétszerelési sorrenddel ellenkező sorrendben.

## 11. HIBAKERESÉS

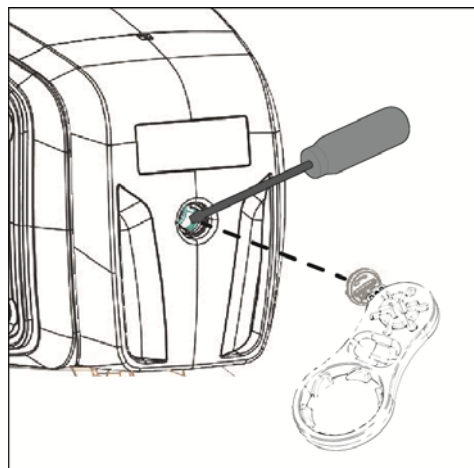
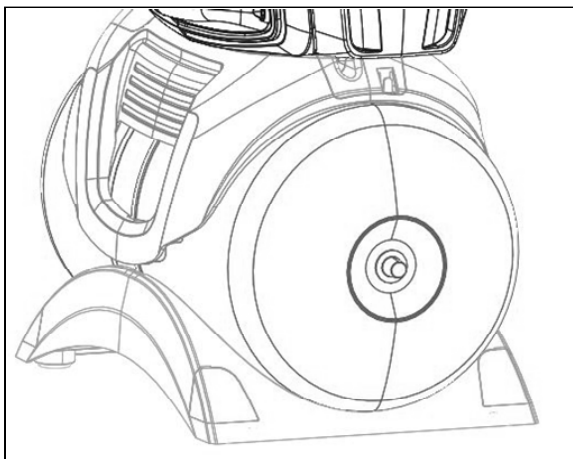


**Mielőtt elkezd a hibakeresést, áramtalanítani kell a szivattyút a tápkábel dugaszának kihúzásával. Ha a tápkábel vagy maga a szivattyú bármely része megsérült, a javítást vagy cserét a gyártónak vagy a gyártó által megbízott szakszerviznek vagy olyan műszaki sza-kembernek kell elvégeznie aki az előzőekkel azonos képzettségű, és képes megelőzni minden veszélylehetőséget.**

RENDELLENESSÉG	ELLENŐRZÉSEK ( lehetséges okok)	TEENDŐK
1. A motor nem indul és nincs motorhang.	A. Ellenőrizze az elektromos csatlakozásokat. B. Ellenőrizze, hogy a motor feszültség alatt van-e.. C. Ellenőrizze a védőbiztosítókat. D. Lehetséges, hogy a hővédelmi kapcsoló közbelépett.	C. Ha kiégtek, cseréni kell őket. D. Várjon kb. 20 percet, amíg a motor lehűl. Ellenőrizze a megállapított okot és hárítsa el. <b>Megj.</b> Az esetleges azonnali hiba ismétlődés azt jelenti, hogy a motor rövidzárlatos.
2. A motor nem indul és nincs motorhang.	A. Ellenőrizze, hogy a hálózati tápfeszültség megfelel-e az adattáblán feltüntetett értéknek. B. Ellenőrizze a szivattyú és a motor esetleges megszorulását. C. Ellenőrizze, hogy a tengely ne legyen rögzítve. D. Ellenőrizze az indítókondenzátor állapotát..	B. Szüntesse meg a dugulást. C. A csomagban található szerszámmal hajtsa ki a fedelet és egy csavarhúzóval rögzítse a tengelyt. D. Cserélje a kondenzátort.
3. A motor nehezen jár.	A. Ellenőrizze, hogy a tápfeszültség nem kisebb-e a szükségesnél. B. Ellenőrizze a forgó és álló gépelemek közötti súrlódást.	B. Szüntesse meg a káros súrlódás okát.
4. A szivattyú nem szállít vizet.	A. A szivattyú nem lett megfelelően feltöltve vízzel. B. Nem elég nagy a szívócső átmérője. C. Eldugult NRV nem visszatérő szelep vagy szűrő.	A. Töltse fel a szivattyút vízzel, figyeljen oda, hogy kiereszti a levegőt a légelvezető dugó kihajtásával. B. Cserélje a szívócsövet nagyobb átmérőjűre. C. Tisztítsa meg a szűrőt és adott esetben az NRV-t is.



RENDELLENESSÉG	ELLENŐRZÉSEK ( lehetséges okok)	TEENDŐK
5. A szivattyú nem feltöltődik vízzel.	A. Levegő elszívás az elszívó tömlőn keresztül.  B. A szívócső ellenkező dőlésszöge (a szivattyú felé lejt) légzsákok kialakulásának kedvez.	A. Hárítsa el a jelenséget, ellenőrizze a csatlakozások és a beszívó tömlő tömítését és ismételje meg a feltöltési folyamatot. B. Javítsa a szívócső dőlésszögét.
6. A szivattyúnak nem elégséges a szállítási teljesítménye.	A. A beszívó tömlő eldugult. B. A járókerék kopott vagy eltömődött. C. Elégtelen átmérőjű szívó csővezeték.	A. Tisztítsa meg a beszívó tömlőt. B. Távolítsa el a dugulást vagy cserélje a kopott alkatrészeket. C. Cserélje a szívócsövet nagyobb átmérőjűvel.
7. A szivattyú túl gyakran kapcsol be és ki.	A. A tágulási tartály membránja károsodott. B. A tágulási tartály nyomása túl alacsony.	A. Cseréltesse ki a membránt engedélyezett technikussal. B. Töltse fel a tágulási tartályt, amíg eléri a(z) 1,6 +0,2 bar nyomást. Lásd a 3. táblázatot.
8. Beremeg a szivattyú miközben zajosan működik.	A. Ellenőrizze, hogy a szivattyú és a csővezetékek megfelelően rögzítettek. B. A szivattyú leürül vagyis a vízigény nagyobb, mint amit a szivattyú képes szolgáltatni. C. A szivattyú az adattábláján megadott értékeket meghaladó módon dolgozik..	A. Gondosabban rögzítse a meglazult részeket. B. Csökkentse a szívási magasságot vagy ellenőrizze a töltési veszteséget. C. Hasznos lehet a nyomóoldalon lehatárolni a szállítási teljesítményt.



### A TÁGULÁSI TARTÁLY FELTÖLTÉSE LEVEGŐVEL

A tágulási tartály nyomása legyen kb. 1,6 +0,2 bar. Ha a gyárban előtöltik, akkor az első beindítás során nem szükséges végrehajtani semmilyen folyamatot.

A levegő feltöltéséhez légszivattyú vagy nyomáskijelzős (manométeres) abroncs felfújó berendezés szükséges.

1. Hajtsa ki a védőfedelelet
2. Szerelje a légszivattyút vagy az abroncs felfújó berendezést a tágulási tartály szelepére, szivattyúzzon levegőt, amíg a manométer kb. 1,6 +0,2 bar nyomást nem jelez.
3. Csavarozza vissza a védőfedelelet.

## 12. GARANCIA



**Bármilyen előzetes engedély nélküli módosítás felmenti a gyártót minden felelősség alól. A javításoknál használt összes pótalkatrész legyen eredeti és az összes kiegészítő legyen a gyártó által engedélyezett, hogy a gépek valamint a berendezések maximális biztonsága, amelyekre felszerelik, garantálható legyen.**

Ezt a terméket a törvény által előírt garancia védi (az Európai Közösség országaiban 24 hónap a vásárlás dátumától kezdődően), amely az összes gyártási hibára és használt anyag hibájára vonatkozik.

A garanciás terméket esetleg ki is cseréljük egy tökéletesen működő másik termékre vagy ingyenesen megjavítjuk, ha a következő feltételek adottak:

- a terméket helyesen és az utasításoknak megfelelően működteti és nem próbálja meg megjavítani sem a vásárló sem harmadik személy.
- A terméket a vásárlás helyén adja át, a vásárlást igazoló nyugtával (áfás számla vagy nyugta) és az észlelt hiba leírásával együtt.

A forgórész és a részek kopórészek, ezek nem tartoznak a garancia alá. A garanciás közbeavatkozás nem hosszabbítja meg az eredeti garanciás időszakot.

## TURINYS

1. NAUDOJIMO SRITIS .....	71
2. SIURBIMUI TINKAMI VANDENYS .....	71
3. TECHNINIAI DUOMENYS IR NAUDOJIMO APRIBOJIMAI .....	71
4. VALDYMAS .....	72
4.1 Laikymas .....	72
4.2 Transportavimas .....	72
4.3 Svoris ir matmenys .....	72
5. ĮSPĖJIMAI .....	72
6. ĮRENGIMAS .....	73
7. ELEKTROS ĮRANGOS PRIJUNGIMAS .....	73
8. PALEIDIMAS .....	73
9. ATSARGUMO PRIEMONĖS .....	74
10. PRIEŽIŪRA IR VALYMAS .....	74
10.1 Įsiurbimo filtro valymas .....	74
10.2 Atbulinio vožtuvo valymas .....	74
11. GEDIMŲ PAIEŠKA .....	74
PRIPILDYKITE PLĖTIMOSI REZERVUARĄ, KAD SLĖGIS SIEKTŲ XX BAR. ŽR. 3 LENTELĘ .....	75
12. GARANTIJA .....	75

## ĮSPĖJIMAI



Prieš įrengdami siurbį, atidžiai perskaitykite visus dokumentus.



Prieš imdamiesi bet kokių veiksmų, ištraukite kištuką iš elektros lizdo. Siurblys jokių būdu negali veikti be vandens sausiai.



Apsaugokite siurbį nuo atmosferinių reiškinių poveikio.



Apsauga nuo per didelės apkrovos. Siurblyje įrengta šiluminė variklio apsauga. Tuo atveju, jei variklis per daug įkaistų, variklio apsauga automatiškai išjungtų siurbį. Variklis atvėsta per maždaug 15-20 min. ir vėl automatiškai įsijungia. Suveikus variklio apsaugai, būtina surasti ir pašalinti to priežastį. Skaitykite skyrių „Gedimų paieška“.

## 1. NAUDOJIMO SRITIS

Šie išcentriniai siurbiai yra gerų siurbimo savybių, net pumpuojant vandenį su dujų priemaišom. Ypač tinka vandens tiekimui ir slėgio didinimui sodybose. Taip pat tinka naudoti nedidelėse žemės ūkiuose: daržuose ir soduose, avarinėse buitinėse situacijose ir apskritai mėgėjiškai veiklai. Dėl savo kompaktiškos ir patogios formos taip pat gali būti naudojami kaip kilnojami siurbiai avarinių situacijų atvejais, pavyzdžiui, paimti vandeniui iš rezervuarų ar upių.



Šie siurbiai negali būti naudojami baseinuose, tvenkiniuose ir kituose vandens telkiniuose tuomet, kai juose yra žmonių, arba angliavandeniliams (benzinui, dyzelinui, degiosioms alyvoms, tirpikliams ir pan.) persiurbti vadovaujantis galiojančių nelaimingų atsitikimų prevencijos taisyklių reikalavimais. Pasinaudojus rekomenduojama išvalyti. Žiūrėti skyrių „Priežiūra ir valymas“.

## 2. SIURBIMUI TINKAMI VANDENYS

Švarus, be kietų ir abrazyvinių dalelių, chemiškai neutralus.

Švarūs vandenys	•
Lietaus vanduo (filtruota)	•
Nekenksmingi nutekamieji vandenys	○
Purvini vandenys	○
Fontanų vanduo (filtruota)	•
Upių ar ežerų vanduo (filtruota)	•
Geriamas vanduo	•

1 lentelė.

- Tinkami siurbimui vandenys
- Netinkami siurbimui vandenys

## 3. TECHNINIAI DUOMENYS IR NAUDOJIMO APRIBOJIMAI

- Maitinimo įtampa: 230V, žiūrėkite elektrinių komponentų duomenų plokštelėje
- Išjungimo vėlinimo linijiniai lydiei saugikliai (230V

Modelis	Linijiniai lydiei saugikliai 230V 50Hz
P1= 850 W	4
P1= 1.100 W	6

2 lentelė.

## LIETUVIŲ

**versija):** orientacinės vertės (išreikštos amperais)

- **Laikymo temperatūra:** -10°C +40°C

	Modelis	P1=850W	P1=1100W
Elektros duomenys	P1 Absorbuota nominali galia [W]	850	1100
	P2 [W]	600	750
	Tinklo įtampa [V]	1 ~ 220-240 AC	
	Tinklo dažnis [Hz]	50	
	Srovė [A]	3.88	4.58
	Kondensatorius [µF]	12.5	16
	Kondensatorius [Vc]	450	
	Hidrauliniai duomenys	Didž. našumas [l/h]	3.180
Didž. kėlimo aukštis [m]		43	45
Didž. kėlimo slėgis [bar]		4.3	4.5
Didž. slėgis (bar)		6	
Didž. įsiurbimo gylis (m/min.)		8 m / < 3min	
Įsijungimo slėgis (bar)		1.8	
Išsijungimo slėgis (bar)		3.2	
Slėgio rodiklis		Manometras	Manometras
Galimas naudojimas	Maitinimo kabelio ilgis [m]	1.5	
	Kabelio tipas	H07 RNF	
	Variklio apsaugos laipsnis	IP X4	
	Izoliacinė klasė	F	
	Skysčių temperatūros ribos [°C] pagal EN 60335-2-41 standartą dėl buitinių prietaisų	0 °C / +35 °C	
	Didž. dalelių matmenys	švarus vanduo	
	Didž. aplinkos temperatūra [°C]	+40 °C	
Svoris	Hidraulinės dalies dydis DNM GAS	1" M	
	Apytikslis neto (grynasis) / bruto (bendrasis) svoris [kg]	14/16.6	14.8/17.4

3 lentelė.



**Siurblys gali neatlaikyti vamzdžių svorio, todėl jų svoris turėtų būti palaikomas kitaip.**

#### 4. VALDYMAS

##### 4.1 Laikymas

Visi siurbliai turi būti laikomi uždaroje sausose patalpose, kuriose, jeigu įmanoma, būtų palaikomas pastovus drėgnumo lygis ir kuriose nėra vibracijos bei dulkių. Siurbliai pristatomi originalioje pakuotėje ir turi būti jose laikomi iki įrengimo pradžios.

##### 4.2 Transportavimas

Venkite smūgių ir įrenginio susidūrimo su kitais daiktais.

##### 4.3 Svoris ir matmenys

Ant pakuotės priklijuotoje lentelėje nurodytas bendras elektrinio siurblio svoris ir jo matmenys.

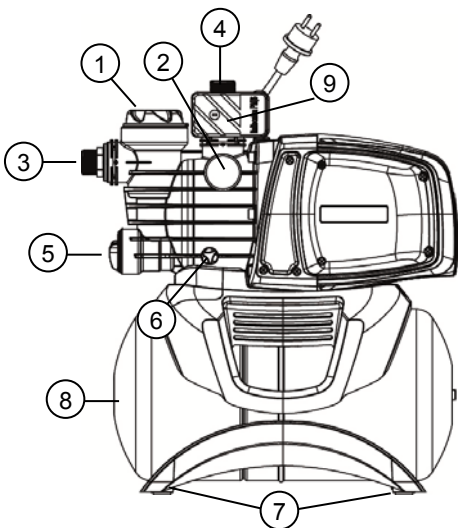
#### 5. ĮSPĖJIMAI



**Siurblių jokia būdu negalima perkelti iš vienos vietos į kitą, kelti į viršų ar leisti jiems veikti pakabinus juos naudojant maitinimo kabelį, naudokite tam skirtą rankeną.**

- Siurblys niekuomet neturi veikti tuščiaja eiga („sausai“).

## 6. ĮRENGIMAS



- 1 Priešfiltris
- 2 Manometras
- 3 Reguliuojama įsiurbimo vamzdžio jungtis
- 4 Tiekimo vamzdžio jungtis
- 5 Integruotas atbulinis vožtuvas
- 6 Išleidimo angos dangtelis
- 7 Išleidimo angos dangtelis
- 8 18 l bakas
- 9 Skysčio srauto jungiklis

Elektrinis siurblys turi būti įrengiamas nuo blogo oro sąlygų apsaugotoje vietoje, kur aplinkos temperatūra neviršija 40 °C.

Siurblys turi antivibracines kojeles, tačiau įrengiant siurblį nuolatinėje vietoje galima jas nuimti ir pritvirtinti siurblį prie atraminio pagrindo (7).

Pasirūpinkite, kad vamzdžiai per daug nespautų siurblio angų (3) ir (4), kad šis nebūtų deformuotas ar nesulūžtų.

**Rekomenduojama siurblį pastatyti kuo arčiau siurbiamo skysčio.**

Siurbliai turi būti montuojami tik horizontalioje padėtyje.

Vamzdžių vidinis skersmuo neturi būti mažesnis negu elektros siurblio angų, siurblio įsiurbimo sistemoje įrengtas filtras (1) ir atbulinis vožtuvas (5).

Įsiurbimo vietoje turi būti pajungtas atbulinis vožtuvas. Siurbimo gyliui esant virš 4 metrų, o taip esant dideliems horizontaliems atstumams, rekomenduojamas didesnis siurbimo žarnos skersmuo negu siurblio angos. Norint išvengti oro tarpų, siurblio žarna turi būti su kylančiu nuolydžiu siurblio link. 2 pav.

Jeigu įsiurbimo vamzdis (žarna) yra guminis arba pagamintas iš kitos lanksčios medžiagos, visada patikrinkite, ar jo sienelės sustiprintos, kad nesusitrauktų dėl įsiurbiant galinčių susidaryti tuščių tarpų.

Įrengiant siurblį nuolatinėje vietoje, rekomenduojama įrengti uždaromuosius vožtuvus įsiurbimo ir tiekimo vamzdžiams. Taip galėsite uždaryti siurblio įsiurbimo ir (arba) tiekimo linijas techninės priežiūros ir valymo darbų metu bei tuomet, kai siurblys nenaudojamas.

Siurblys turi sukamąją įsiurbimo angą, kad jį būtų lengviau įrengti (3) ir (4).

Jeigu norite naudoti lanksčius vamzdžius (žarnas), pririnkus pasinaudokite lankstu (1 pav.) ir sodininkystės rinkiniu, į kurį įeina PE vamzdis ir jungčių su antgaliu rinkinys, kurie nepridėti, tačiau juos galima įsigyti atskirai.

Jeigu yra labai mažų nešvarumų, rekomenduojama naudoti ne tik integruotą filtrą (1), bet ir filtrą siurblio įsiurbimo angoje, įrengtą įsiurbimo vamzdyje.

- Nejunkite variklio per dažnai, griežtai rekomenduojama nejungti jo dažniau kaip 20 kartų per valandą.



Įsiurbimo vamzdžio skersmuo turi būti **didesnis arba tokio pat dydžio** kaip elektros siurblio angos skersmuo, žr. 3 lentelę.

## 7. ELEKTROS ĮRANGOS PRIJUNGIMAS



Tinklo įtampa turi atitikti įtampą nurodytą ant gamyklinės variklio duomenų plokštelės. Variklis privalo būti įžemintas. **Vadovaukitės techninių duomenų lentelėje ir šio vadovo 3 lentelėje pateiktais parametrais.**

**Siurblio maitinimo kabelio ilgis riboja įrengimo atstumą, jeigu reiktų ilgintuvo, įsitikinkite, kad jis yra tokio paties tipo** (pvz., H05 RN-F arba H07 RN-F, priklausomai nuo įrengimo), žr. 3 lentelę.

## 8. PALEIDIMAS



Įjunkite siurblį tik pilnai pripildę jį vandens (maždaug 4 litrai).

Jeigu vandens šaltinis išsenka, nedelsdami ištraukite kištuką iš elektros lizdo išjungdami siurblį. Pasirūpinkite, kad siurblys nedirbtų sausas be vandens.

1. Prieš įjungdami siurblį, patikrinkite, ar siurblys tinkamai paruoštas: pilnai jį pripildykite švariu vandeniu per tam skirtą angą, prieš tai rankomis ar specialiu pridėtu įrankiu nuėmę skaidraus filtro pildymo angos dangtelį (1). Atlikus šį veiksmą, užpildymo angą sandariai uždarykite. **Sauso paleidimo atveju yra nepataisomai sugadinami mech. sandarinimai.**
2. Paskui pildymo angos dangtelį reikės kruopščiai užsukti (1).
3. Įkiškite maitinimo kabelio kištuką į 230 V elektros lizdą. **Dėmesio!** Siurblio variklis iš karto įsijungs, vanduo pradės tekėti ne vėliau kaip po 3 minučių, tai priklauso nuo vandens lygio gylio šulinyje ar cisternoje..
4. Pasiekęs didžiausią slėgį, siurblys automatiškai išsijungia. Jeigu naudojant vandenį slėgis nukrinta tiek, kad neviršija mažiausio slėgio, siurblys automatiškai įsijungia. Žr. 3 lentelę.
5. Norėdami visiškai išjungti siurblį, ištraukite maitinimo kabelio kištuką iš elektros lizdo.



Kilus problemų pripildant, kartokite, kol siurbiamame sraute neliks oro.

## 9. ATSARGUMO PRIEMONĖS

**UŽŠALIMO PAVOJUS:** kai siurblys nenaudojamas esant žemesnei kaip 0 °C temperatūrai, būtina įsitikinti, kad neliko vandens likučių, kuriems sustingus į ledą, gali trūkti plastikinės dalys.

Jeigu siurblys naudotas su nusėdančiomis medžiagomis arba chloruotu vandeniu, panaudoję jį praplaukite stipria vandens srove, kad nesusidarytų nuosėdos ar nuogulos, kurios turėtų neigiamos įtakos siurblio techninėms savybėms.

## 10. PRIEŽIŪRA IR VALYMAS

Normaliomis sąlygomis naudojamam siurbliui nereikia jokios priežiūros. Bet kuriuo atveju priežiūros ir taisymo darbai gali būti atliekami tik išjungus siurbį iš maitinimo tinklo. Prieš vėl įjungdami siurbį, įsitinkite, kad jis buvo tinkamai sumontuotas ir nekelia pavojaus daiktams ar žmonėms.

### 10.1 Įsiurbimo filtro valymas

(3 pav.)

- Išjunkite siurbį iš elektros maitinimo šaltinio.
- Pašalinkite vandenį, atidarydami išleidimo angos dangtelį (6), prieš tai uždarę sklendes (jeigu įrengtos).
- Rankomis arba specialiu pridėtu įrankiu atsukite filtro bloko dangtelį.
- Iš viršaus ištraukite filtrą.
- Praskalaukite stiklinę srūvančiu vandeniu ir išvalykite filtrą minkštu šepetėliu.
- Sumontuokite filtrą atlikdami aprašytus veiksmus atvirkštine tvarka.

### 10.2 Atbulinio vožtuvo valymas

(4 pav.)

- Išjunkite siurbį iš elektros maitinimo šaltinio.
- Naudodamiesi specialiu pridėtu įrankiu, nuimkite atbulinio vožtuvo dangtelį (5).
- Išimkite atbulinį vožtuvą ir nuvalykite esamus nešvarumus (9 pav.).
- Surinkite dalis atlikdami aprašytus veiksmus atvirkštine tvarka.

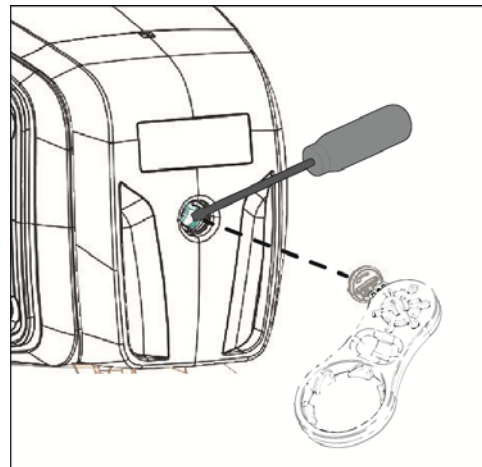
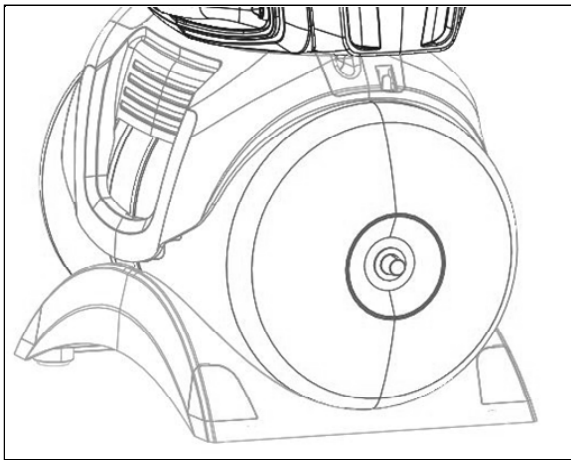
## 11. GEDIMŲ PAIEŠKA



Prieš pradėdami ieškoti gedimų, būtina nutraukti elektros tiekimą siurbliui (ištraukite kištuką iš elektros lizdo). Jeigu maitinimo kabelis arba kuri nors siurblio elektrinė dalis yra pažeista, taisymo ar keitimo darbus privalo atlikti Gamintojas arba jo techninės priežiūros tarnyba, arba atitinkamą kvalifikaciją turintis asmuo, kad būtų išvengta bet kokios rizikos.

PROBLEMOS	PATIKRINIMAS (galimos priežastys)	SPRENDIMO BŪDAS
1. Siurblys nepasileidžia ir nesigirdi jokių triukšmų.	A. Patikrinti elektrinius sujungimus. B. Patikrinti ar užmaitintas variklis. C. Patikrinkite saugiklius. D. Galimai suveikė šiluminė apsauga.	C. Jeigu saugikliai sudegę, pakeiskite juos. D. Palaukite maždaug 20 min., kol atvės variklis. Patikrinkite ir pašalinkite tai lėmusią priežastį. Jeigu gedimas pasikartoja nedelsiant, tai reiškia, kad variklyje yra trumpas jungimas..
2. Siurblys nepasileidžia, bet girdisi triukšmai.	A. Patikrinkite ar tinklo įtampa sutampa su nurodyta ant gamyklinės siurblio duomenų lentelės. B. Patikrinkite galimus užblokavimus siurblyje arba variklyje. C. Patikrinkite, ar neužstrigo velenas. D. Patikrinkite kondensatoriaus būklę.	B. Pašalinkite užblokavimus. C. Naudodamiesi specialiu pridėtu įrankiu, atsukite dangtelį ir atsuktuvu atblokuokite veleną. D. Pakeiskite kondensatorių.
3. Sunkiai sukasi variklis.	A. Patikrinkite įtampą, kuri gali būti nepakankama. B. Patikrinkite ar judančios dalys nesiliečia su nejudančiomis.	B. Pašalinkite lietimosi priežastį.
4. Siurblys nesiurbia.	A. Siurblys neteisingai užpildytas. B. Nepakankamas pasiurbimo vamzdžio diametras. C. Užsikimšo atbulinis vožtuvas arba filtras.	A. Pripildykite siurbį vandens ir paruoškite jį veikimui, pasirūpindami, kad atsukus oro išleidimo dangtelį išeitų oras. B. Pakeiskite pasiurbimo vamzdį didesnio skersmens vamzdžiu. C. Išvalykite filtrą, o jei to nepakaktų – ir atbulinį vožtuvą.
5. Siurblys neušpildo.	A. Įsiurbiamas oras per įsiurbimo vamzdį. B. Žemėjantis pasiurbimo vamzdžio nuolydis sąlygoja oro tarpų susidarym.	A. Pašalinkite to priežastį, patikrindami, ar sandarios jungtys ir įsiurbimo vamzdis, ir pakartokite parengiamuosius veiksmus. B. Pataisykite pasiurbimo vamzdžio nuolydį.

PROBLEMOS	PATIKRINIMAS (galimos priežastys)	SPRENDIMO BŪDAS
6. Nepakankamas srautas..	A. Užsikimšęs įsiurbimo vamzdis. B. Susidėvėjęs arba užblokuotas darbo ratas. C. Nepakankamas pasiurbimo vamzdžio skersmuo.	A. Išvalykite įsiurbimo vamzdį. B. Pašalinkite užsikimšimus arba pakeiskite susidėvėjusias dalis. C. Pakeiskite pasiurbimo vamzdį didesnio skersmens vamzdžiu.
7. Siurblys per dažnai įsijungia ir išsijungia.	A. Pažeista plėtimosi rezervuaro membrana. B. Pažeista plėtimosi rezervuaro membrana.	A. Pasirūpinkite, kad įgaliota techninė tarnyba pakeistų membraną. B. Pripildykite plėtimosi rezervuarą, kad slėgis siektų 1,6 +/- 0,2 bar. Žr. 3 lentelę.
8. Siurblys dirba triukšmingai ir vibruoja.	A. Patikrinkite ar vamzdžiai ir siurblys stipriai pritvirtinti. B. Jeigu siurblys kavituoja, tai reiškia, kad vandens poreikavimas yra didesnis, nei galimas siurbti. C. Siurblys dirba virš parametų nurodytų ant gamyklinės siurblio duomenų lentelės.	A. Stipriai pritvirtinkite laisvas detales. B. Sumažinkite pasiurbimo aukštį arba patikrinkite apkrovimo nuostolius. C. Gali būti naudinga apriboti paduodamą srautą.



### PRIPILDYKITE PLĒTIMOSI REZERVUARĄ, KAD SLĒGIS SIEKTŲ XX BAR. ŽR. 3 LENTELE

Plėtimosi rezervuaro slėgis turi būti maždaug 1,6 +/- 0,2 bar. Tinkamas slėgis nustatomas gamykloje, todėl pirmą kartą paleidus siurbį nereikia nieko daryti.

Norint pripildyti oro, reikalinga oro pompa arba prietaisas padangoms pūsti, rodantis slėgį (su manometru).

1. Atsukite apsauginį dangtelį.
2. Pridėkite oro pompą arba prietaisą padangoms pūsti prie plėtimosi rezervuaro, pūskite orą, kol manometras rodytų maždaug 1,6 +/- 0,2 bar.
3. Užsukite apsauginį dangtelį.

## 12. GARANTIJA



**Bet kokios iš anksto nesuderintos modifikacijos, atliktos negavus gamintojo leidimo, atleidžia gamintoją nuo bet kokios atsakomybės. Visos atsarginės dalys, naudojamos atliekant taisymo darbus, turi būti originalios, visi priedai gali būti naudojami tik gavus gamintojo leidimą, siekiant užtikrinti didžiausią mašinų ir įrenginių, į kuriuos įmontuojamos šios dalys ir priedai, saugumą.**

Šiam gaminiui galioja teisinė garantija (Europos Bendrijoje 24 mėnesius nuo įsigijimo dienos) visiems defektams, atsiradusiems dėl gamintojo kaltės ar dėl naudotų medžiagų.

Gaminys garantijos laikotarpiu gali būti pakeistas kitu puikiai veikiančiu įrenginiu arba nemokamai pataisytas tik tuo atveju, jeigu laikytasi šių sąlygų:

- gaminys naudotas tinkamai, laikantis instrukcijų, nei pirkėjas, nei tretieji asmenys jo nebandė taisyti;
- gaminys pristatytas į pirkimo vietą su pirkimą patvirtinančiais dokumentais (sąskaita faktūra arba kasos kvitu) ir glaustu pastebėtos problemos aprašymu.

Sparnuotei ir visoms kitoms nusidėvinčioms dalims garantija negalioja. Pasinaudojus garantija, pradinis garantijos laikotarpis jokia būdu nepailgėja.

## SATURA RĀDĪTĀJS

1. LIETOJUMI.....	76
2. SŪKNĒJAMIE ŠKIDRUMI .....	76
3. TEHNISKĀS SPECIFIKĀCIJAS UN LIETOŠANAS IEROBEŽOJUMI.....	77
4. PĀRVALDĪBA .....	77
4.1 Uzglabāšana .....	77
4.2 Transportēšana .....	77
4.3 Svārs un izmēri.....	77
5. BRĪDINĀJUMS.....	77
6. UZSTĀDĪŠANA.....	78
7. ELEKTRISKAIS SAVIENOJUMS .....	78
8. IEDARBINĀŠANA.....	78
9. DROŠĪBAS BRĪDINĀJUMI .....	79
10. TEHNISKĀ APKOPE UN TĪRĪŠANA.....	79
10.1 Nosūkšanas filtra tīrīšana .....	79
10.2 Pretvārsta tīrīšana .....	79
11. TRAUCĒJUMMEKLĒŠANA .....	79
IZPLEŠANĀS TVERTNES UZPILDĪŠANA AR GAISU.....	80
12. GARANTĪJA.....	80

## BRĪDINĀJUMS



Pirms uzstādīšanas rūpīgi izlasiet visu dokumentāciju.



Pirms jebkuras rīcības atvienojiet kontaktdakšu. Jebkādā veidā izvairieties no darbības bez ūdens.



Nepakļaujiet sūkni nelabvēlīgiem laika apstākļiem.



Aizsardzība pret pārslodzi. Sūknis ir aprīkots ar motora termisko pārslodzes aizsargu. Motora iespējamās pārkaršanas gadījumā motora termiskās pārslodzes aizsargs automātiski izslēdz sūkni. Dzesēšanas laiks ir apmēram 15-20 min., un pēc tam sūknis automātiski ieslēdzas no jauna. Pēc motora termiskās pārslodzes aizsarga nostrādāšanas ir absolūti nepieciešams atrast cēloni un novērst to. Skatīt nodaļu „Traucējummeklēšana”.

## 1. LIETOJUMI

Pašuzsūcošie strūklas centrālās sūkņi ar optimālu sūkšanas jaudu pat gāzēta ūdens klātbūtnē. Īpaši piemēroti ūdensapgādei un nemainīga spiediena uzturēšanai lauku mājās. Piemēroti lauksaimniecības maziem dārziem un dārzkopībai, mājsaimniecības ārkārtas situācijās un hobijs kopumā. Pateicoties to kompaktajai formai un parocīgumam, tie arī ir ērti īpašiem lietojumiem, piemēram, kā portatīvie sūkņi avārijas gadījumā ūdens savākšanai no tvirtnēm vai upēm.



Saskaņā ar spēkā esošajiem drošības noteikumiem, šos sūkņus nevar izmantot peldbaseinos, dīķos, ūdenskrātuvēs ar personu klātbūtni un, vai ogļūdeņražu (benzīna, dīzeļdegviela, degvielleļa, šķīdinātāji u.c.) sūknēšanai. Pirms uzglabāšanas laba prakse ir nodrošināt tīrīšanas posmu. Skatīt nodaļu "Tehniskā apkope un tīrīšana".

## 2. SŪKNĒJAMIE ŠKIDRUMI

Tīrīt bez cietiem vai abrazīviem, ar neagresīviem līdzekļiem.

Saldūdens	•
Lietusūdens (filtrēts)	•
Tīri notekūdeņi	○
Netīrs ūdens	○
Strūklakas ūdens (filtrēts)	•
Upju un ezeru ūdens (filtrēts)	•
Dzeramais ūdens	•

1.tabula

- Piemērots
- Nepiemērots

## LATVIEŠU

### 3. TEHNISKĀS SPECIFIKĀCIJAS UN LIETOŠANAS IEROBEŽOJUMI

- **Barošanas spriegums: 230V**, skatiet elektrisko datu plāksnītes
- **Līnijas aizkavētas darbības drošinātāji (230V versija):** indikatīvās vērtības (ampēri)
- **Uzglabāšanas temperatūra: -10°C +40°C**

Modelis	Līnijas 230V, 50Hz drošinātāji
P1= 850 W	<b>4</b>
P1= 1.100 W	<b>6</b>

2.tabula

	Modelis	P1=850W	P1=1100W
Elektriskie dati	P1 Nominālais enerģijas patēriņš [W]	850	1100
	P2 [W]	600	750
	Tīkla spriegums [V]	1 ~ 220-240 AC	
	Tīkla frekvence [Hz]	50	
	Strāva [A]	3.88	4.58
	Kondensators [uF]	12.5	16
	Kondensators [Vc]	450	
Santehnikas dati	Plūsma, maks. [l/h]	3.180	3.750
	Izplatība, maks. [m]	43	45
	Izplatība, maks. [bar]	4.3	4.5
	Maks. spiediens [bāri]	6	
	Maks. sūkņēšanas dziļums [m/min.]	8 m / < 3min	
	Ieslēgšanas spiediens [bāri]	1.8	
	Izslēgšanas spiediens [bāri]	3.2	
	Spiediena rādītājs	Manometrs	Manometrs
Paredzētā lietošana	Strāvas kabeļa gar. [m]	1.5	
	Tipo cavo	H07 RNF	
	Motora aizsardzības pakāpe	IP X4	
	Izolācijas klase	F	
	Sķidruma temperatūras lauks [°C], atbilstoši EN 60335-2-41 prasībām, lietošanai mājas apstākļos	0 °C / +35 °C	
	Dalīņu lielums, maks.	tīrs ūdens	
	Maks. vides temperatūra [°C]	+40 °C	
Svars	DNM GAS	1" M	
	Neto/bruto svars apt. [kg]	14/16.6	14.8/17.4

3. tabula



**Sūknis nevar atbalstīt cauruļvadu svaru, kas jāatbalsta citādi.**

#### 4. PĀRVALDĪBA

##### 4.1 Uzglabāšana

Visi sūkņi jāuzglabā slēgtā, sausā telpā ar pēc iespējas konstantu mitruma procentu, bez vibrācijām un putekļiem. Sūkņi pienāk savā oriģinālajā iepakojumā, kurā atrodas līdz to uzstādīšanai.

##### 4.2 Transportēšana

Izvairieties izstrādājumus pakļaut nevajadzīgu triecienu un sadursmju ietekmei.

##### 4.3 Svars un izmēri

Uzlīmē uz iepakojuma tiek norādīts elektriskā sūkņa kopējais svars un tā izmēri.

#### 5. BRĪDINĀJUMS

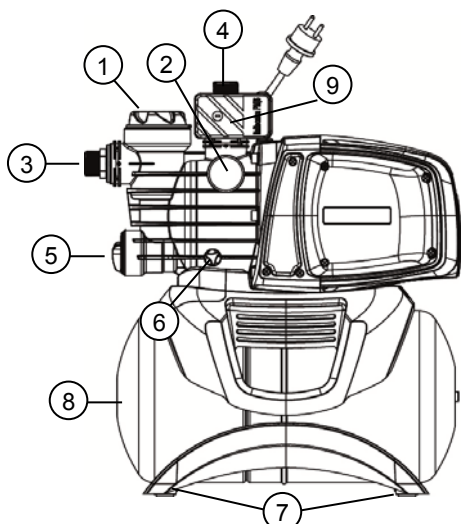


**Sūkņus nekad nedrīkst transportēt, celt vai paceltus darbināt ar strāvas kabeļa palīdzību; izmantojiet speciālu rokturi.**

- Sūkņi nekad nedrīkst darbināt bez ūdens.



## 6. UZSTĀDĪŠANA



- 1 Priekšfiltrs
- 2 Manometrs
- 3 Grozāmi sūkšanas savienojumi
- 4 Izvada savienojumi
- 5 Iebūvēts pretvārsts
- 6 Nolaišanas skrūve
- 7 Pretvibrāciju gumijas kājas
- 8 18 l tvertne
- 9 Plūsmas slēdzis

Sūknis jāuzstāda no laika apstākļiem aizsargātā vietā un pie vides temperatūras, kas nepārsniedz 40°C.

Sūknis ir aprīkots ar pretvibrāciju kājām, bet stacionāru iekārtu gadījumā, jūs varat tās noņemt un nodrošināt stiprinājumu uz pamatplates (7).

Novērst, ka cauruļvadi var pārvadīt pārmērīgu spēku sūkņa atverēs (3) un (4), radot deformācijas vai lūzumus.

**Vienmēr ir laba prakse novietot sūkni pēc iespējas tuvāk sūknējamajam šķidrumsam.**

Sūkni drīkst uzstādīt tikai vertikālā stāvoklī.

Cauruļvadi nekad nedrīkst būt ar mazāku iekšējo diametru nekā elektriskā sūkņa un sūknēšanas atvere; sūknis ir aprīkots ar filtru (1), un pretvārstu (NRV) (5).

Sūknēšanas dziļumam virs četriem metriem vai ar būtiskām horizontālām pārejām ir ieteicams izmantot iesūkšanas caurules ar lielāku diametru nekā no iesūkšanas sūkņa atvere. Lai novērstu gaisa kabatas veidošanos iesūkšanas caurulē, tā ir ar nelielu slīpumu attiecībā pret elektrosūkni. Att.2.

Ja iesūkšanas caurule ir izgatavoti no gumijas vai elastīga materiāla, vienmēr jāpārbauda, vai tā ir izturīga darbam ar vakuumu ekstrēmos apstākļos, lai, veicot sūknēšanu izvairītos no sašaurinājumiem.

Stacionāras iekārtas gadījumā mēs iesakām iesūkšanas pusē, kā arī izplūdes pusē uzstādīt slēgvārstu. Tas ļauj slēgt līniju pirms un/vai pēc sūkņa noderīga visiem iejaukšanās uzturēšanu un tīrīšanu vai par periodiem, kuros sūknis netiek izmantots.

Sūknis ir aprīkots ar rotējošu pievadu, lai atvieglotu uzstādīšanu. (3) un (4).

Šļūtenes gadījumā, ja nepieciešams, izmantot līkni 1.attēlā un dārzniecības komplektu, kas sastāv no PE cauruļvada un armatūras ar uzgali komplektācijā, kas nav iekļauts komplektācijā, bet ko var iegādāties atsevišķi.

Loti sīku izmēru neīrums klātbūtnes gadījumā ieteicams lietot, papildus iebūvēto filtru (1), filtru sūkņa pievadā, kas uzstādīts uz iesūkšanas caurules.

- Motoru nedrīkst pakļaut pārmērīgam palaišanas biežumam/stundā, un ir stingri ieteicams nepārsniegt 20 palaišanas reizes/stundā.



**Izplūdes caurules diametrs jābūt lielākam vai vienādam ar elektrosūkņa atveres diametru, skatīt 3. tabulu.**

## 7. ELEKTRISKAIS SAVIENOJUMS



Pārliecināties, vai tīkla spriegums atbilst tam, kas norādīts motora strāvas padeves datu plāksnītē, un, vai ir iespējams izveidot labu zemes savienojumu. **Ievērojiet datu plāksnītes un šīs instrukcijas 3. tabulas norādījumus.**

Sūkņa strāvas vada garums ierobežo uzstādīšana attālumu; ja jums nepieciešams pagarinātājs, pārliecināties, vai tas ir tas ir tāda paša veida (piemēram, H05 RN-F vai H07 RN-F, atkarībā no iekārtas); skatīt 3. tabulu.

## 8. IEDARBINĀŠANA



Neiedarbināt sūkni, līdz tas nav pilnībā uzpildīts ar šķidrumu, aptuveni no 4 litriem.

Gadījumā ja ūdens resursi izbeidzas, nekavējoties atvienojiet kontaktdakšu, sūkni izslēdzot. Izvairieties no darbības sausus apstākļos.

1. Pirms sūkņa iedarbināšanas pārbaudīt, vai sūknis sūknē vienmērīgi, nodrošinot tā pilnīgu uzpildījumu ar tīru ūdeni caur atveri, noņemot filtra caurspīdīgo uzpildes vāciņu (1) ar rokām vai ar īpaša instrumenta palīdzību, kas iekļauts komplektācijā. Šī darbība ir būtiska pareizai sūkņa funkcionēšanai, kas ir nepieciešams, lai tiktu rūpīgi ieeļļots mehāniskais blīvējums. **Darbība sausus apstākļos rada mehāniskā blīvējuma neatgriezeniskus bojājumus.**
2. Pēc tam rūpīgi no jauna jāuzskrūvē nolaišanas skrūve līdz atdurei (1).
3. Pievienojiet strāvas vada kontaktdakšu elektrības kontaktligzdai 230 V. **Uzmanību!** Sūkņa motors iedarbojas nekavējoties; ūdens sāk iztecēt pēc maksimālā laikā 3 minūtes, kas ir atkarīgs no ūdens līmeņa dziļuma urbumā vai tvertnē.

## LATVIEŠU

4. Sasniedzot maksimālo spiedienu, sūknis izslēdzas automātiski. Ja, izmantojot ūdeni, spiediens nokrītas zemāk par minimālo spiedienu, sūknis ieslēdzas automātiski. Skatiet 3. tabulu.
5. Lai izslēgtu sūkni, atvienojiet strāvas vada kontaktdakšu no barošanas avota.



Ja rodas problēmas ar gruntēšanu, atkārtojiet darbību, līdz viss gaiss sūknēšanas procesa laikā ir pazudis.

### 9. DROŠĪBAS BRĪDINĀJUMI

**SALA RISKS:** Sūknim neatrodies darbībā pie temperatūras, kas zemāka par 0°C, jānodrošina, lai nebūtu atlikušā ūdens, kas veido apledojuumu un tādejādi var rasties plaisas plastmasas detaļās.

Ja sūknis tiek izmantots ar vielām, kas veido nogulsnes, vai hlōrētu ūdeni, pēc lietošanas izskalot to ar spēcīgu ūdens strūklu, lai neveidotos nogulsnes vai inkrustācijas, kas savukārt samazina sūkņa raksturlielumus.

### 10. TEHNISKĀ APKOPE UN TĪRĪŠANA

Elektriskajam sūknim normālas ekspluatācijas apstākļos nav nepieciešama tehniskā apkope. Jebkurā gadījumā, visi remonta un tehniskās apkopes darbi jāveic tikai pēc sūkņa atvienošanas no barošanas avota. Restartējot sūkni, pārlicināties, vai tas tika prasmīgu pievienots no jauna, lai neradītu miesas bojājumus vai materiālos zaudējumus.

#### 10.1 Nosūkšanas filtra tīrīšana

(3. att.)

- Izslēgt sūkņa strāvas padevi.
- Drenēt sūkni, atverot nolaišanas skrūvi (6), vispirms aizverot iepriekšējā posma plūsmas vārstus (ja ir uzstādīti).
- Atskrūvēt filtra kameras vāku ar rokām vai ar īpašu piederumu, kas iekļauts komplektācijā.
- Izvilkt filtra mezglu.
- Noskalot stikla trauku zem tekoša ūdens un notīrīt filtru ar mīkstu suku.
- Uzstādīt filtru, izpildot darbības apgrieztā secībā.

#### 10.2 Pretvārsta tīrīšana

(4. att.)

- Izslēgt sūkņa strāvas padevi.
- Noņemt pretvārsta vāciņu (5) izmantojot komplektācijā iekļauto piederumu
- Noņemt pretvārstu un iztīrīt to no netīrumiem, 9.att.
- Uzstādīt attiecīgās detaļas demontāžai pretējā secībā.

### 11. TRAUCĒJUMMEKLĒŠANA

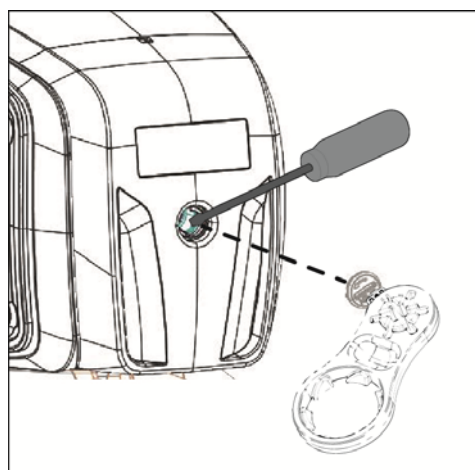
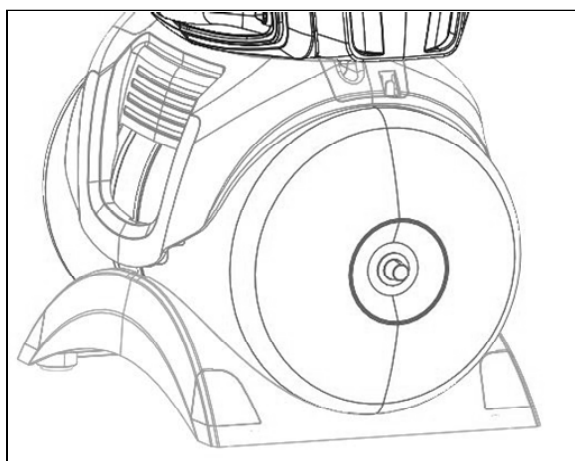


**Pirms sākt traucējummeklēšanu, nepieciešams atvienot elektriskos savienojumus (atvienot kontaktdakšu). Ja barošanas kabeļa vai sūkņa jebkura elektriskā daļa ir bojāta, tās remonts vai nomaiņa jāveic ražotājam vai tā tehniskās palīdzības pakalpojuma dienestam vai personai ar līdzvērtīgu kvalifikāciju, lai novērstu visus riskus.**

PROBLĒMAS	PĀRBAUDES (iespējamie cēloni)	RISINĀJUMI
1. Motors neiedarbinās un neizdod troksni.	A. Pārbaudīt elektriskos savienojumus. B. Pārbaudīt, vai motors ir zem sprieguma. C. Pārbaudīt aizsardzības drošinātājus. D. Termiskā aizsardzības iespējama nostrādāšana.	C. Ja tie ir nolietojušies, nomainīt. D. Uzgaidīt apt. 20 min, lai atdzistu motors. Pārbaudīt traucējumu iemeslu un novērst to. <b>N.B.:</b> Kļūmes tūlītēja atkārtošanās nozīmē, ka motorā ir īssavienojums.
2. Motors neiedarbinās, bet izdod troksni.	A. Pārlicināties, vai tīkla spriegums atbilst plāksnītē norādītajam. B. Meklēt, vai nav aizsērējis sūknis vai motors. C. Pārlicināties vai nav bloķēta vārpsta. D. Pārbaudīt kondensatora stāvokli.	B. Noņemt aizsērējumus. C. Ar komplektācijā iekļautā instrumenta palīdzību noskrūvēt vāciņu, un, izmantojot skrūvgriezi, atbloķēt vārpstu. D. Nomainīt kondensatoru.
3. Motors griežas ar grūtībām.	A. Pārlicināties, vai strāvas padeve ir pietiekama. B. Pārlicināties, vai nav skrāpējumu pazīmes starp kustīgajām un fiksētajām daļām.	B. Noskaidrot un novērst skrāpējumu cēloņus.
4. Sūknis nedarbojas.	A. Sūknis nesūknē pareizi. B. Iesūkšanas caurules diametrs nav pietiekams. C. Pretvārsts vai filtrs aizsērējis.	A. Uzpildīt sūkni ar ūdeni, un veikt sūknēšanu, pievēršot uzmanību gaisa izlaišanai, atlaižot ventilācijas vāciņu. B. Nomainīt ar cauruli ar lielāku diametru. C. Notīriet filtru un gadījumā, ja tas nav pietiekami, pretvārstu.
5. Sūknis nesūknē.	A. Iesūkšanas caurulē tiek nosūkts gaiss. B. Iesūkšanas caurules negatīvais slīpums veicina gaisa kabatu veidošanos.	A. Novērst šo fenomenu, pārbaudot savienojumu hermētiskumu un ieplūdes cauruļvadu, un atkārtoti sistēmas atgaisošanu. B. Izlabot iesūkšanas caurules slīpumu.

## LATVIEŠU

PROBLĒMAS	PĀRBAUDES (iespējamie cēloni)	RISINĀJUMI
6. Sūkņa sūkņēšanas kapacitāte ir pārāk zema.	A. Iesūkšanas caurule ir aizsērējusi. B. Lāpstīņritenis ir nodilis vai aizsērējis. C. Iepļūdes caurules diametrs nav pietiekams.	A. Notīrīt iesūkšanas cauruli. B. Noņemt aizsērējumus vai nomainīt nodilušās detaļas. C. Nomainīt ar cauruļvadu ar lielāku diametru.
7. Sūknis ieslēdzas un izslēdzas pārāk bieži o.	A. Izplešanās tvertnes membrāna ir bojāta. B. Izplešanās tvertnes spiediens ir pārāk zems	A. Pilnvarotam servisa tehnikam jānomaina membrāna. B. Uzpildīt izplešanās tvertni, līdz tiek sasniegts spiediena 1,6 + -0,2 bāri. Skatiet 3. tabulu.
8. Sūknis vibrē ar trokšņainu darbību.	A. Pārbaudīt, vai sūknis un cauruļvadi ir nofiksēti. B. Sūkņa kavitācija, t. i., ūdens pieprasījums pārsniedz to, ko spēj sūknis sūknēt. C. Sūkņa darbība neatbilst datu plāksnītē norādītajai.	A. Nostiprināt rūpīgāk valjīgās daļas. B. Samazināt iesūkšanas augstumu vai pārbaudīt slodzes zudumus. C. Var būt noderīgi ierobežot piegāde plūsmu.



### IZPLEŠANĀS TVERTNES UZPILDĪŠANA AR GAISU

Izplešanās tvertnes spiedienam jābūt apm. 1,6 + -0,2 bāri. Tiek veikta iepriekšēja uzpildīšana rūpnīcā, tāpēc pirmās palaišanas laikā nav nepieciešams veikt nekādas darbības.

Gaisa uzpildīšanai ir nepieciešams gaisa sūknis vai riepu piepūšanas ierīce ar spiediena rādītāju (manometru)

1. Atskrūvēt aizsargapvalku
2. Pievienot gaisa sūkni vai riepu piepūšanas ierīci izplešanās tvertnes vārstam, un sūknēt gaisu, līdz manometrs norāda apm. 1,6 + -0,2 bāri.
3. Pieskrūvēt aizsargapvalku.

## 12. GARANTIJA



**Jebkādas neatļautas modifikācijas atbrīvo ražotāju no jebkādas atbildības. Visām rezerves daļām, kuras izmanto remontam, jābūt oriģinālām un visām palīgierīcēm jābūt ražotāja apstiprinātām, lai varētu nodrošināt iekārtu un sistēmu maksimālu drošību vietās, kur tās var tikt uzstādītas.**

Šim produktam ir piešķirtas juridiskās garantijas (Eiropas Kopienā 24 mēnešu laikā no iegādes datuma) attiecībā uz visiem trūkumiem saistībā ar ražošanas defektiem vai izmantoto materiālu.

Izstrādājums garantijas laikā, pēc saviem ieskatiem, vai nu tiek aizstāts ar tādu, kas ir labā darba kārtībā, vai tiek remontēts bez maksas, pamatojoties uz šādiem nosacījumiem:

- izstrādājums tika izmantots pareizi un saskaņā ar instrukcijām, un pircējs vai trešās personas nav mēģinājušas veikt remontu.
- izstrādājums tiek nodots pirkuma veikalā, pievienojot dokumentu, kas apliecina pirkumu (pārdošanas kvīti), un tā problēmas īsu aprakstu.

Garantija nesedz lāpstīņriteni un dilstošās daļas. Garantijas prasības nekādā veidā nav pagarināmas ilgāk par sākotnējo laikposmu.

# INHOUD

<b>1. TOEPASSINGEN .....</b>	<b>81</b>
<b>2. POMPBARE VLOEISTOFFEN .....</b>	<b>81</b>
<b>3. TECHNISCHE GEGEVENS EN GEBRUIKSBEPERKINGEN .....</b>	<b>82</b>
<b>4. BEHEER.....</b>	<b>82</b>
4.1 Opslag.....	82
4.2 Transport.....	82
4.3 Gewicht en afmetingen .....	82
<b>5. WAARSCHUWINGEN.....</b>	<b>82</b>
<b>6. INSTALLATIE .....</b>	<b>83</b>
<b>7. ELEKTRISCHE AANSLUITING.....</b>	<b>83</b>
<b>8. STARTEN.....</b>	<b>83</b>
<b>9. VOORZORGSMAATREGELEN .....</b>	<b>84</b>
<b>10. ONDERHOUD EN REINIGING .....</b>	<b>84</b>
10.1 Schoonmaak van de aanzuigfilter .....	84
10.2 Schoonmaak van de terugslagklep .....	84
<b>11. PROBLEMEN OPSPOREN .....</b>	<b>84</b>
<b>VUL HET EXPANSIEVAT MET LUCHT .....</b>	<b>85</b>
<b>12. GARANTIE.....</b>	<b>86</b>

## WAARSCHUWINGEN



Lees deze documentatie aandachtig door vóór de installatie.



Trek steeds de stekker uit het stopcontact alvorens enige interventie uit te voeren. Vermijd absoluut de droge werking.



Bescherm de elektropomp tegen weer en wind.



Beveiliging tegen overbelasting: de pomp is voorzien van een beveiliging tegen oververhitting. Indien de motor eventueel oververhit raakt, schakelt deze oververhittingsbeveiliging de pomp automatisch uit. Na een afkoeltijd van ongeveer 15-20 minuten gaat de pomp automatisch weer aan. Na inwerkingtreding van de thermische motorbeveiliging, moet in ieder geval de oorzaak daarvan opgespoord en verholpen worden. Raadpleeg Het Opsporen van Storingen.

## 1. TOEPASSINGEN

Centrifugaal zelfvissende sproei pompen met uitstekende opzuigings vermogen ook bij water met gasaanwezigheid. Bijzonder geschikt voor de toevoer en onderdrukzetting van water naar landhuizen. Geschikt voor kleine landbouw- en tuinbouwbedrijven, huishoudelijke noodsituaties en doe-het-zelf-doeleinden. Dankzij de compacte en handige vorm is deze pomp ook zeer nuttig als draagbare pomp in noodgevallen, zoals bij stalname van water uit reservoirs en rivieren.



Volgens de normen voor ongevallenpreventie die op dit gebied van kracht zijn, mogen deze pompen niet worden gebruikt in zwembaden, vijvers, bassins waar zich mensen bevinden, of voor het pompen van koolwaterstoffen (benzine, gasolie, stookolie, oplosmiddelen enz.). Maak de pomp schoon alvorens ze terug op te bergen: zie hoofdstuk "Onderhoud en Schoonmaak"

## 2. POMPBARE VLOEISTOFFEN

Schoon, zonder vaste of schurende stoffen, niet agressief.

Schoon water	•
Regenwater (Gefiltreerd)	•
Grijs afvalwater	○
Afvalwater	○
Fonteinwater (Gefiltreerd)	•
Water van rivieren of meren (Gefiltreerd)	•
Drinkwater	•

Tabel 1

- Geschikt
- Niet geschikt

**3. TECHNISCHE GEGEVENS EN GEBRUIKSBEPERKINGEN**

- **Voedingsspanning: 230V**, zie het plaatje met elektriciteitsgegevens
- **Vertraagde lijnzekeringen (versie van 230V)**: waarden bij benadering (ampère)
- **Temperatuurbereik van de vloeistof: -10°C +40°C**

Model	Lijnzekeringen 230V 50Hz
P1= 850 W	4
P1= 1.100 W	6

Tabel 2

	Model	P1=850W	P1=1100W
Elektrische gegevens	P1 Nominaal opgenomen vermogen [W]	850	1100
	P2 [W]	600	750
	Netspanning [V]	1 ~ 220-240 AC	
	Netfrequentie [Hz]	50	
	Stroom [A]	3.88	4.58
	Condensator [µF]	12.5	16
	Condensator [Vc]	450	
Hydraulische gegevens	Max. debiet [l/h]	3.180	3.750
	Max. opvoerhoogte [m]	43	45
	Max. opvoerhoogte [bar]	4.3	4.5
	Max. druk [bar]	6	
	Max. aanzuigdiepte [m/min]	8 m / < 3min	
	Aanschakeldruk [bar]	1.8	
	Uitschakeldruk [bar]	3.2	
	Drukaanwijzer	Manometer	Manometer
Toepassingsgebieden	Lengte voedingskabel [m]	1.5	
	Soort kabel	H07 RNF	
	Beschermingsgraad motor	IP X4	
	Isolatieklasse	F	
	Temperatuurrange vloeistof [°C] volgens EN 60335-2-41 voor huishoudelijk gebruik	0 °C / +35 °C	
	Max. afmetingen deeltjes	schoon water	
	Max. omgevingstemperatuur [°C]	+40 °C	
Gewicht	DNM GAS	1" M	
	Netto/brutogewicht [kg]	14/16.6	14.8/17.4

Tabel 3



**De pomp hij kan niethet gewicht van de leidingen niet dragen; dit gewicht moet derhalve op een andere manier worden ondersteund.**

**4. BEHEER**

**4.1 Opslag**

Alle pompen moeten worden opgeslagen in een overdekte, droge ruimte met een zo mogelijk constante luchtvochtigheid, zonder trillingen en stof. Ze worden geleverd in hun oorspronkelijke verpakking, waarin ze tot aan het moment van installatie moeten blijven.

**4.2 Transport**

Voorkom dat er onnodig tegen de producten wordt gestoten en gebotst.

**4.3 Gewicht en afmetingen**

De sticker aangebracht op de verpakking vermeldt het totaalgewicht en de afmetingen van de elektropomp.

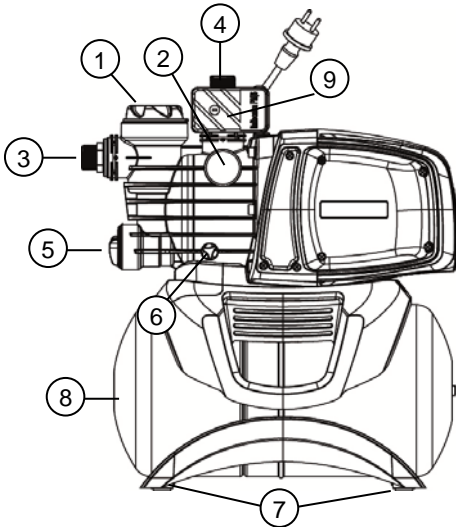
**5. WAARSCHUWINGEN**



**De pompen mogen niet worden verplaatst, worden opgeheven of werken terwijl ze opgehangen zijn aan de voedingskabel. Gebruik hiervoor enkel het specifiek handvat.**

- De pomp mag nooit droog draaien.

## 6. INSTALLATIE



- 1 Voorfilter
- 2 Manometer
- 3 Draaibare aanzuigaansluiting
- 4 Persaansluiting
- 5 Geïntegreerde terugslagklep
- 6 Afvoerdop
- 7 Afvoerdop
- 8 Tank van 18 l.
- 9 Debietmeter

De elektropomp moet geïnstalleerd worden op een plaats beschermd tegen weer en wind, bij een temperatuur van maximum 40°C.

De pomp is uitgerust met antitrilvoetjes. Bij vaste installatie kunnen deze worden verwijderd en kan de pomp verankerd worden aan de steunbasis (7).

Vermijd dat de buizen grote belastingen overbrengen naar de pompaansluitingen (3) en (4), om omvormingen of schade te vermijden.

**Het is altijd goede regel de pomp zo naast mogelijk bij de op te pompen vloeistof te plaatsen.**

De pomp moet alleen in horizontale stand geplaatst worden.

De interne diameter van de buizen mag nooit kleiner zijn dan die van de pers- en aanzuigaansluiting van de elektropomp. De pomp is uitgerust met een filter (1) en terugslagklep (5).

Voor diepte opzuiging boven de vier meter of met aanzienlijk horizontale trajecten, het is de toepassing van een opzuigingsbuis aan te raden van grotere diameter dan diegene van de pomp opzuigingsmond. Om de vorming van lucht zakken in de opzuigingsbuis te voorkomen, een kleine positieve helling bij de opzuigingsmond naar de elektropomp te rekenen. Afb.2

Indien de aanzuigbuis vervaardigd is in rubber of in een flexibel materiaal, moet u steeds controleren dat dit versterkt is en vacuumbestendig, om te vermijden dat deze zou vernauwen ten gevolge van de aanzuiging.

Bij vaste installaties raden wij aan een afsluitklep te installeren zowel op de aanzuig- als persaansluiting, zodat de stroomopwaartse en/of stroomafwaartse lijn van de pomp kan worden afgesloten voor onderhouds- en schoonmaak interventies, of gedurende periodes waarin de pomp niet wordt gebruikt.

De pomp is aan de ingang uitgerust met draaibare aansluitingen, (3) en (4), voor een eenvoudige installatie.

Indien u tuinslangen wenst te gebruiken is een bochtstuk fig.1 vereist en de tuinkit bestaande uit een slang in PE en een kit voor aansluiting van het spuitstuk (niet bijgeleverd, maar afzonderlijk aan te kopen).

In omstandigheden met aanwezigheid van onzuiverheden van kleine afmetingen raden wij aan om buiten de geïntegreerde filter (1) ook een filter te plaatsen aan de pompingang, geïnstalleerd op de aanzuigbuis.

- De motor mag niet te vaak opstarten per uur: wij raden strikt aan het maximum aantal van 20 starten/uur niet te overschrijden.



**De diameter van de aanzuigbuis moet groter of gelijk zijn aan de diameter van de aansluitmond van de elektropomp, zie Tabel 3.**

## 7. ELEKTRISCHE AANSLUITING



Zich verzekeren dat de netspanning met datgene overeenkomt die op het motor naamplaatje is aangegeven en dat het mogelijk is EEN GOEDE AARD VERBINDING TOT STAND TE BRENGEN. **Respecteer de aanduidingen op het typeplaatje en in deze handleiding, tabel 3.**

**De lengte van de voedingskabel van de pomp beperkt de installatie-afstand. Bij gebruik van verlengstukken moet u controleren dat deze van hetzelfde type zijn (bv. H05 RN-F of H07 RN-F afhankelijk van de installatie) zie tab.3.**

## 8. STARTEN



Start de pomp niet op zonder dat zij volledig gevuld is met vloeistof (circa 4 liter).

Trek de stekker onmiddellijk uit het stopcontact wanneer de vloeistof op is, om de pomp uit te schakelen. Vermijd een droge werking.

1. Alvorens de pomp op te starten moet u ervoor zorgen dat ze correct aanzuigt. Verwijder de transparante vuldop van de filter (1) met uw handen of met het bijgeleverde accessoire en vul de pomp met zuiver water via de specifieke opening. Deze handeling is van groot belang voor een perfecte pomp functionering, onmisbaar om de mechanische houding gesmeerd te houden. **Een droge functionering brengt onherstelbare schade aan de mechanische houding.**
2. De vuldop moet vervolgens correct worden vastgedraaid tot aan de stop (1).

## NEDERLANDS

3. Steek de stekker van de voedingskabel in een 230 V stopcontact. **Opgelet!** De motor van de pomp zal onmiddellijk opstarten: het water zal uit de pomp beginnen lopen na max. 3 minuten. Het tijdsinterval is afhankelijk van de diepte van het waterpeil, van de put of tank.
4. De pomp zal automatisch uitschakelen wanneer de maximumdruk wordt bereikt. Indien bij gebruik van water de druk daalt onder de minimumdruk, dan schakelt de pomp automatisch uit. Zie Tab.3.
5. Schakel de pomp definitief uit en trek de stekker van de voedingskabel uit.



Indien er problemen optreden tijdens het aanzuigen moet u de handeling herhalen totdat alle opgezogen lucht werd verwijderd.

### 9. VOORZORGSMAATREGELEN

**BEVRIEZINGSGEVAAR:** wanneer de pomp buiten werking blijft bij een temperatuur lager dan 0°C, moet men er voor zorgen dat er geen waterresten in de pomp kunnen bevriezen, waardoor er barsten zouden kunnen ontstaan in de plastic onderdelen.

Indien de pomp werd gebruikt met vloeistoffen die neerslaan of met bleekwater, dan moet ze na gebruik worden gespoeld met behulp van een krachtige waterstraal, om neerslag- of korstvorming te vermijden, wat zou leiden tot de vermindering van de pomp prestaties.

### 10. ONDERHOUD EN REINIGING

Bij de normale werking vereist de elektropomp geen enkel onderhoud. In ieder geval mogen alle reparaties en onderhoudswerkzaamheden pas worden uitgevoerd nadat de pomp is afgekoppeld van het voedingsnet. Wanneer de pomp terug wordt opstart moet u controleren dat alles correct werd gemonteerd, om geen gevaar te berokkenen aan personen of zaken.

#### 10.1 Schoonmaak van de aanzuigfilter

##### (Afbeelding.3)

- De elektrische voeding van de pomp uitschakelen.
- Dreneer de pomp, open de afvoerdop (6) nadat de hogerliggende luiken (indien aanwezig) werden gesloten.
- Draai de dop van de filterkamer los met de handen of met het bijgeleverde accessoire.
- Verwijder de filtereenheid naar boven toe.
- Spoel de beker onder stromend water en maak de filter schoon met een zachte borstel.
- Monteer de filter terug door de handelingen in de omgekeerde volgorde uit te voeren.

#### 10.2 Schoonmaak van de terugslagklep

##### (Afbeelding.4)

- De elektrische voeding van de pomp uitschakelen.
- Verwijder de dop van de terugslagklep (5) met het bijgeleverde accessoire.
- Maak de terugslagklep schoon en verwijder aanwezige vuiltjes fig.9.
- Assembleer de onderdelen terug in de omgekeerde volgorde.

### 11. PROBLEMEN OPSPOREN

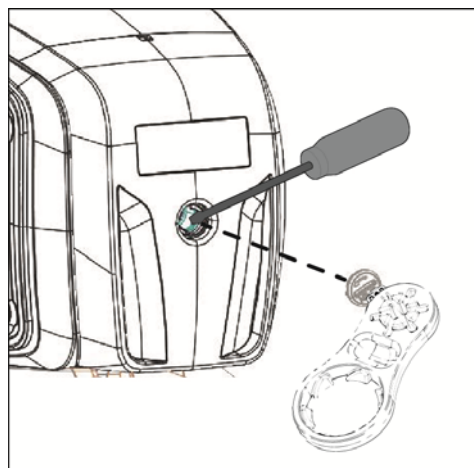
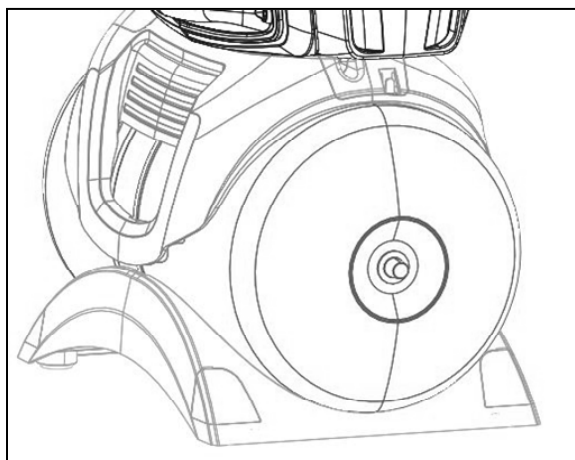


**Voordat begonnen wordt met het opsporen van storingen, moet de pomp eerst losgekoppeld worden van het elektriciteitsnet (door de stekker uit het stopcontact te halen). Indien de voedingskabel of een elektrisch onderdeel van de pomp beschadigd zijn, mogen deze alleen door de fabrikant of diens technische klantenservice of door een iemand met gelijke bevoegdheid.**

ONGEMAKKEN	ONDERZOEKEN (mogelijke oorzaak)	OPLOSSINGEN
1. De motor start niet en maakt geen lawaai.	A. Elektrische aansluitingen nagaan. B. Nagaan dat de motor onder druk staat. C. De beschermings zekeringen. D. Controleer of de thermische beveiliging werd geactiveerd.	C. Indien verbrandt vervangen. D. Wacht 20 min totdat de motor is afgekoeld. Ga na wat de oorzaak ervan is en verwijder deze. <b>N.B.:</b> het heventueel zich direkt herhalen van het mancamment kan betekenen dat de motor in kortsluiting staat.
2. De motor start niet maar doet lawaai.	A. Zich verzekeren dat de netspanning overeenkomt met datgene wat er op het naamplaatje staat. B. Onderzoek naar mogelijke verstoppingen van de motor of van de pomp. C. Controleer dat de as niet geblokkeerd zit. D. Nagaan de toestand van de condensator.	B. Verstoppingen verwijderen. C. Gebruik het bijgeleverde accessoire om het deksel los te draaien en bevrijd de as met behulp van een schroevendraaier. D. De condensator vervang.
3. De motor draait moeilijk.	A. Zich verzen dat er geen onvoldoende voedings spanning is.. B. Nagaan mogelijke wrijvingen tussen de bewegende en vaste delen.	B. Zorgen om de wrijvinges oorzaken op te sporen.

## NEDERLANDS

ONGEMAKKEN	ONDERZOEKEN (mogelijke oorzaak)	OPLOSSINGEN
4. De pomp werkt.	A. De pomp is niet correct aangesloten.. B. Onvoldoende diameter van de opzuigingsbuis. C. De terugslagklep of filter zit verstopt.	A. Vul de pomp met water en zorg voor de aanzuiging. De lucht kan ontsnappen doordat de ontluchtingsdop wordt losgedraaid. B. Buis vervangen met een van grotere diameter. C. Maak de filter schoon en indien dit niet volstaat ook de terugslagklep.
5. De pomp vist niet..	A. De luchtaanzuiging gebeurt via de aanzuigbuis. B. De negatieve helling van de opzuigingsbuis vergemakkelijkt de vorming van luchtzakken.	A. Elimineer dit fenomeen door de dichting van de aansluitingen en van de aanzuigbuis te controleren. Herhaal de handelingen voor vloeistofaanzuiging. B. De helling van de buis herstellen.
6. De pomp voert een onvoldoende druk uit.	A. De aanzuigbuis zit verstopt. B. De draaier is versleten of verstopt. C. Opzuigingsbuis met onvoldoende diameter.	A. Maak de aanzuigbuis terug schoon. B. De verstoppingen verwijderen of de versleten delen vervangen. C. De buis vervangen met een van grotere diameter..
7. De pomp schakelt te vaak aan en uit.	A. Membraan van expansievat beschadigd. B. Druk van het expansievat te laag.	A. Laat het membraan vervangen door een geautoriseerde technicus. B. Vul het expansievat tot een drukwaarde van 1.6 +/-0.2 bar wordt bereikt. Zie Tab.3.
8. De pomp trilt met een rumoerige geluid.	A. Nagaan dat de pomp en de buizen goed zijn aangesloten. B. De pomp heeft een holte d.w.z. er is meer water nodig dan opgepompt kan worden. C. De pomp werkt meer dan wat aangegeven staat.	A. Met meer zorg de losgekomen delen vastmaken. B. De opzuigings hoogte beperken of drukbelasting controleren. C. Kan nuttig zijn de belasting te beperken..



### VUL HET EXPANSIEVAT MET LUCHT

De druk in het expansievat moet circa 1.6 +/-0.2 bar bedragen. Op de fabriek wordt zij reeds gevuld dus moet er niets gebeuren tijdens de eerste opstarting.

Het vullen met lucht vereist een luchtpomp of toestel om autobanden mee op te pompen uitgerust met een drukkometer (manometer).

1. Draai het beschermende deksel los.
2. Plaats een luchtpomp of toestel om autobanden mee op te pompen op het ventiel van het expansievat, pomp lucht totdat de manometer een waarde van 1.6 +/-0.2 bar aanduidt.
3. Draai het beschermende deksel terug vast.



## 12. GARANTIE



**Elke wijziging waarvoor geen voorafgaande toestemming verkregen is, ontheft de fabrikant van iedere verantwoordelijkheid. Alle vervangingsonderdelen die worden gebruikt bij reparaties moeten originele onderdelen zijn, en alle accessoires moeten geautoriseerd zijn door de fabrikant, zodanig dat de maximale veiligheid van de machines en van de installaties waarop zij gemonteerd kunnen worden, wordt gewaarborgd.**

Dit product wordt gedekt door een wettelijk voorziene garantie (in de Europese Gemeenschap gedurende 24 maanden, met ingang op de aankoopdatum) voor alle storingen te wijten aan fabricagefouten of gebruikt materiaal.

Het product kan gratis worden vervangen door een perfect werkend product of gratis worden hersteld wanneer de volgende condities zich voordoen:

- Het product correct werd gebruikt, conform de instructies en er geen poging werd ondernomen voor herstelling door de koper zelf of derden.
- Het product werd overhandigd aan het verkooppunt, samen met het aankoopbewijs (factuur of kassabon) en een korte beschrijving van het opgetreden probleem.

Het vliegwiel en de onderdelen onderhevig aan slijtage worden niet gedekt door de garantie. De uitvoering van interventies tijdens de garantieperiode resulteert nooit in de verlening van deze periode.

# INNHOLDSFORTEGNELSE

1. ANVENDELSER.....	87
2. VÆSKER SOM KAN PUMPES .....	87
3. TEKNISKE SPESIFIKASJONER OG BEGRENSNINGER FOR BRUK.....	88
4. BEHANDLING .....	88
4.1 Lagring .....	88
4.2 Transport .....	88
4.3 Vekt og dimensjoner .....	88
5. ADVARSLER .....	88
6. INSTALLASJON .....	89
7. ELEKTRISK TILKOPLING .....	89
8. OPPSTART .....	89
9. FORHOLDSREGLER.....	90
10. VEDLIKEHOLD OG RENGJØRING .....	90
10.1 Rengjøring av sugefilter.....	90
10.2 Rengjøring av NRV.....	90
11. PROBLEMLØSNING .....	90
FYLL EKPANSJONSTANKEN MED LUFT.....	91
12. GARANTI .....	91

## ADVARSLER



Før du installerer, les all dokumentasjonen nøye.



Før man gjør inngrep, uansett art, trekk ut kontakten. Unngå enhver form for tørrkjøring.



Beskytt den elektriske pumpen mot vær og vind.



Overbelastningsvern. Pumpen er utstyrt med et termisk overbelastningsvern . Ved en eventuell overoppheting av motoren , vil overbelastningsvernet slå av pumpen automatisk. Kjøletiden er ca. 15-20 minutter , etter dette slår pumpen seg på igjen automatisk. Etter inngrep fra overbelastningsvernet er det helt nødvendig å finne årsaken, og eliminere den. Konsulter Problemløsning.

## 1. ANVENDELSER

Selvsugende jetbasert sentrifugalpumpe med god sugeevne selv når det er kullsyreholdig vann tilstede. Spesielt egnet til vannforsyning og trykksetting til hytter. Egnet til mindre hage-/gårdsbruk, nødssituasjoner i hjemmet og generelt hobbybruk. Takket være den kompakte og enkle formen, kan de også brukes som bærbare pumper for alle ulike typer nødssituasjoner som for eksempel pumping av vann fra vanntanker eller elver.



Disse pumpene kan ikke brukes i svømmebasseng, dammer, reservoarer der det er personer tilstede, eller til å pumpe hydrokarboner (bensin, diesel, fyringsoljer, løsemidler, etc.) i samsvar med gjeldende sikkerhetsforskrifter. Før man setter pumpen på lager, anbefales det å rengjøre den. Se kapittelet «Rengjøring og vedlikehold».

## 2. VÆSKER SOM KAN PUMPES

Pulito, senza corpi solidi o abrasivi, non aggressivo.

Ferskvann	•
Regnvann (filtrert)	•
Klart vann uten avfallsstoffer	○
Skittent vann	○
Fontenevann (filtrert)	•
Vann fra elver eller innsjøer (filtrert)	•
Drikkevann	•

Tabell 1

- Egnet
- Ikke egnet

## NORSK

### 3. TEKNISKE SPESIFIKASJONER OG BEGRENSNINGER FOR BRUK

- **Forsyningsspennning:** 230 V, se skiltet med elektriske data
- **Forsinkede kurssikringer (versjon 230 V):** referanseverdier (Ampere)
- **Lagringstemperatur:** -10°C +40°C

Modell	Kurssikringer 230V 50Hz
P1= 850 W	<b>4</b>
P1= 1.100 W	<b>6</b>

Tabell 2

	Modell	P1=850W	P1=1100W
Elektriske data	P1 Nominelt strømforbruk [W]	850	1100
	P2 [W]	600	750
	Nettfrekvens [Hz]	1 ~ 220-240 AC	
	Strøm [A]	50	
	Kondensator [uF]	3.88	4.58
	Kondensator [Vc]	12.5	16
	Nettfrekvens [Hz]	450	
Hydrauliske data	Makskapasitet [l/t]	3.180	3.750
	Maks trykkhøyde [m]	43	45
	Maks trykkhøyde [bar]	4.3	4.5
	Maks trykk [bar]	6	
	Maks sugedybde [m/min]	8 m / < 3min	
	Temmingstrykk [bar]	1.8	
	Slukkingstrykk [bar]	3.2	
	Trykkindikator	Manometer	Manometer
Bruksområde	Lengde strømkabel [m]	1.5	
	Type kabel	H07 RNF	
	Beskyttelsesgrad motor	IP X4	
	Isolasjonsklasse	F	
	Område for væsketemperatur [° C] ifølge standarden EN 60335-2-41 for hjemmebruk	0 °C / +35 °C	
	Partikkelstørrelse maks. [mm]	rent vann	
	Maks omgivelsestemperatur [°C]	+40 °C	
Vekt	DNM GASS	1" M	
	Nettovekt/bruttovekt ca. [kg]	14/16.6	14.8/17.4

Tabell 3



**Pumpen kan ikke bære vekten av rørene/slangen, så disse må støttes opp på annen måte.**

#### 4. BEHANDLING

##### 4.1 Lagring

Alle pumper må oppbevares innendørs, på et tørt sted, om mulig ved jevn luftfuktighet, uten vibrasjoner og støv. De leveres i originalemballasjen og må fortsatt oppbevares der helt til installasjonstidspunktet.

##### 4.2 Transport

Unngå å utsette produktene for unødvendige støt og slag.

##### 4.3 Vekt og dimensjoner

Den selvklebende etiketten på emballasjen har angivelser om den totale vekten på den elektriske pumpen, og dimensjonene.

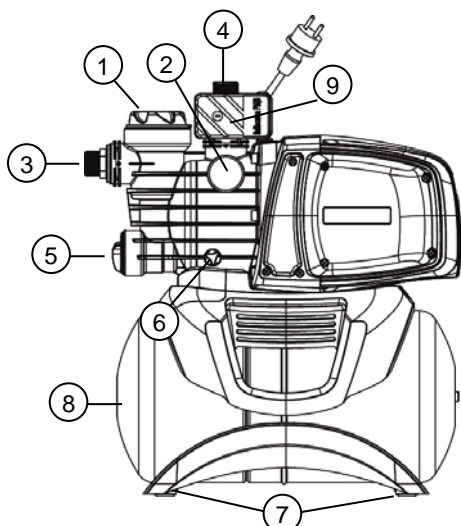
#### 5. ADVARSLER



**Pumpene må aldri transporteres, løftes, eller henges opp ved hjelp av strømledningen. Bruk istedet håndtaket.**

- Pumpen må aldri tørrkjøres.

## 6. INSTALLASJON



- 1 Forfilter
- 2 Manometer
- 3 Tilkobling av roterbart sug
- 4 Tilkobling utløp
- 5 Integrert tilbakeslagsventil
- 6 Dreneringslokk
- 7 Vibrasjonshemmende gummiføtter
- 8 18 l tank.
- 9 Strømningsbryter

Pumpen må installeres på et sted beskyttet mot vær og vind, med en omgivelsestemperatur som ikke overstiger 40° C.

Pumpen er utstyrt med vibrasjonshemmende gummiføtter, men ved faste installasjoner, kan disse fjernes og man i stedet bruke en forankring til det stedet pumpen er plassert på (7).

Unngå at rørene overføre for stor belastning til pumpeåpningene (3) og (4), slik at man ikke får deformasjon og brudd.

### Det er alltid en god rutine å plassere pumpen så nær som mulig den væsken som skal pumpes.

Pumpen må kun installeres i horisontal stilling.

Rørene må aldri ha en diameter som er mindre enn åpningene til den elektriske pumpen og suget; pumpen er utstyrt med filter (1) og tilbakeslagsventil (NRV) (5).

Ved sugedybder på mer enn fire meter eller med lange horisontale strekninger, anbefales bruk av en sugeslange med en større diameter enn sugeåpningen på den elektriske pumpen. For å unngå dannelse av luftlommer i sugeslangen, sørg for en svak positiv helning for sugeslangen mot pumpen. Fig. 2

Hvis sugeslangene er av gummi eller annet fleksibelt materiale, må man alltid kontrollere at materialet er forsterket, og vakuumbestandig, for å unngå innsnevring på grunn av sugeeffekten.

Ved fast installasjon anbefaler vi at du installerer en lukkeventil på sugesiden, så vel som på som er på trykksiden. Dette gjør det mulig å stenge linjen oppstrøms og/eller nedstrøms, noe som er nyttig for alle vedlikeholds- og rengjøringsoperasjoner, og for perioder der pumpen ikke er i bruk.

Pumpen er utstyrt med roterbare innganger for å forenkle installasjonen. (3) og (4).

Ved fleksible slanger, bruk om nødvendig en sving som i fig. 1, og et hagesett som består av slanger av polyetylen, og vanningssett med tut, som ikke følger men, men må kjøpes separat. Når det er finkornet smuss tilstede, anbefales det tillegg til det innebygde filteret (1), å bruke et filter for pumpeinnløpet, som monteres på sugeslangen/-røret.

- Ikke utsett motoren for hyppige oppstarter per time. Det anbefales på det sterkeste å ikke overstige 20 oppstarter per time.



**Diameteren på sugeslangen må være større eller lik diameteren til åpningen til elektriske pumpen, se tabell 3.**

## 7. ELEKTRISK TILKOPLING



Kontroller at spenningen tilsvarer den på skiltet på den motoren som trenger strøm, og at det er mulig å jorde korrekt. **Følg anvisningene på det tekniske dataskiltet, og i denne håndboken, tabell 3.**

**Lengden på strømkabelen på pumpen begrenser installasjonsavstanden, dersom mantrenger en skjøteledning, må man forsikre seg om at den er av samme type (f.eks. H05 RN-F eller H07 RN-F avhengig av installasjonen), se tab.3.**

## 8. OPPSTART



Ikke start pumpen før den er helt fylt med væske, cirka 4 liter.

Dersom det blir tomt for vann, trekk ut kontakten med en gang for å slå av pumpen. Unngå all tørrkjøring.

1. Før oppstart, sjekk at pumpen er riktig primet regelmessig, slik at den er helt fylt med rent vann gjennom åpningen, etter at man har fjernet noe som gir den totale fylling, med rent vann, gjennom hullet, etter fjerning av lokket for påfylling ved det gjennomsiktige filteret (1), for hånd, eller ved hjelp av det medfølgende instrumentet. Denne operasjon er viktig for riktig funksjon av pumpen, noe som er grunnleggende for at den mekaniske tetningen skal være godt smurt. **Tørrkjøring vil føre til ødeleggende skader på den mekaniske tetningen.**
2. Fyllepluggen må skrues ordentlig på plass helt til den stopper (1).
3. Sett støpslet til strømledningen inn i en 230 V kontakt. **OB!** Pumpemotoren starter umiddelbart. Vannet vil begynne å komme ut etter maksimalt 3 minutter, noe som vil være avhengig av dybden på vannivået i brønnen eller tanken.
4. Når det maksimale trykket er oppnådd vil pumpen kobles ut automatisk. Dersom man ved bruk av vann opplever at trykket faller til under minimum, kobles pumpen til automatisk. Se tabell 3.
5. For å slå av pumpen definitivt, trekk ut støpslet fra strømkontakten.



Dersom det oppstår problemer med klargjøring/forhåndsfilling, gjenta behandlingen helt til all luft inne i suget er borte.

## 9. FORHOLDSREGLER

**FARE FOR FROST:** Når pumpen ikke fungerer ved temperaturer under 0 °C, må du sørge for at det ikke er vannrester tilstede, som når de fryser kan danne sprekker i plastdeler.

Hvis pumpen har vært brukt sammen med stoffer som har en tendens til å danne avleiringer, eller sammen med klorvann, skyll etter bruk med en kraftig vannstråle, for å unngå dannelse av avleiringer og belegg som kan redusere ytelsene til pumpen.

## 10. VEDLIKEHOLD OG RENGJØRING

Den elektriske pumpen krever ved normal drift ingen type vedlikehold. Alle reparasjoner og vedlikehold må uansett kun utføres etter at man har koblet pumpen fra strømforsyningen. Når man starter pumpen, sørg for at den er blitt montert på en fagmessig måte, for å unngå fare for mennesker og eiendom.

### 10.1 Rengjøring av sugefilter

(Fig.3)

- Koble fra strømforsyningen til pumpen.
- Far drenare la pompa, aprendo il tappo di scarico (6), avendo prima chiuso le saracinesche a monte (se presenti)
- Svitare il coperchio della camera del filtro, con le mani o con l'apposito accessorio in dotazione
- Estrarre dall'alto l'unità di filtro
- Sciacquare il bicchiere sotto l'acqua corrente e pulire il filtro con una spazzola morbida.
- Rimontare il filtro eseguendo le operazioni in senso inverso.

### 10.2 Rengjøring av NRV

(Fig.4)

- Koble fra strømforsyningen til pumpen.
- Rimuovere il tappo della NRV (5) con l'eccessorio fornito in dotazione
- Togliere la valvola di ritegno NRV e pulirla da eventuale sporcizia fig.9
- Assemblare le parti in senso opposto alla sequenza di smontaggio.

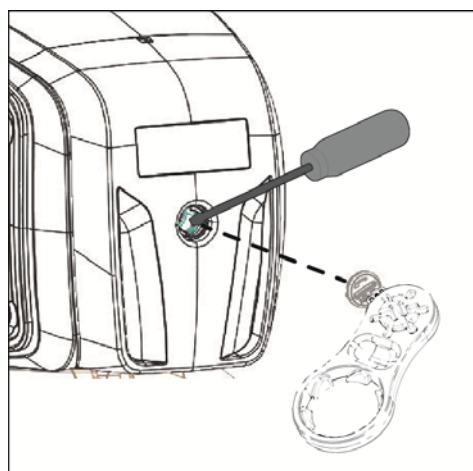
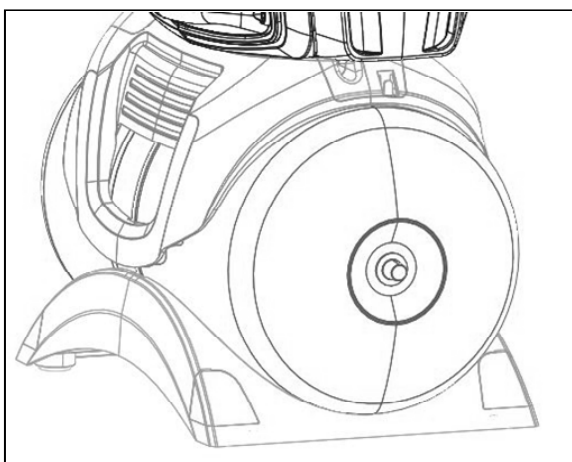
## 11. PROBLEMLØSNING



Før du starter feilsøk og problemløsning, er nødvendig å koble fra all strømforsyning (ta ut støpslet). Hvis noen del av strømkabelen eller de elektriske delene av pumpen er skadet, må alle reparasjoner og erstatningen utføres av produsenten, eller teknisk assistanse tjeneste eller en person med tilsvarende, eller av en person med lignende kvalifikasjoner, slik at all risiko unngås.

PROBLEMER	KONTROLLER (mulige årsaker)	LØSNINGER
1. Motoren vil ikke starte og lager ikke lyd..	A. Sjekk de elektriske tilkoblingene. B. Kontroller at motoren er spenningsførende. C. Kontroller sikringene. D. Mulig inngrep fra termisk beskyttelse.	C. Skift dersom sikringen er sprengt. D. Vent i ca 20 min mens motoren kjøler seg ned. Fastslå årsaken til dette, og fjern den. <b>N.B.:</b> Dersom samme feil oppstår umiddelbart, betyr dette at motoren er kortsluttet.
2. Motoren vil ikke starte, men den lager ikke lyd.	A. Kontroller at spenningen tilsvarer den på merkeskiltet. B. Let etter mulige tilstoppinger av pumpen eller motoren. C. Kontroller at akselen ikke er blokkert. D. Sjekk tilstanden til kondensatoren.	B. Fjern tilstoppinger. C. Bruk den medfølgende redskaper for å skru av lokket, og bruk en skrutrekker for å frigjøre akselen. D. Erstatt kondensatoren.
3. Motoren går, men har problemer med å få igang omdreiningene.	A. Kontroller at forsyningsspenningen ikke er for lav. B. Sjekk om det er bevegelige og faste deler og som skrapes mot hverandre.	B. Sørg for å gjerne årsaken til skrapingen.
4. Pumpen leverer ikke væske.	A. Pumpen er ikke blitt riktig primet/klargjort. B. Sugelangen har for liten diameter. C. Tilbakeslagsventil NRV eller filterne er tilstoppet.	A. Fyll vannpumpen, og utfør primingen, aktsomt så man slipper ut luften fra ventilasjonspluggen. B. Bytt ut røret/slangen med et med større diameter. C. Rengjør filteret, og hvis det ikke er nok, også NRV.
5. Pumpen fylles ikke.	A. Luft suges inn gjennom sugelangen. B. Negativ helning på sugelangen gir dannelse av luftlommer.	A. Eliminere fenomenet ved å kontrollere tettheten til koblingpunktene til sugelangene, og gjenta fylloperasjonen. B. Korrigjer hellingen på sugelangen.

PROBLEMER	KONTROLLER (mulige årsaker)	LØSNINGER
6. Pumpens leverer for lavt volum.	A. Sugelangene er tilstoppet. B. Impelleren er slitt eller blokkert. C. Sugelangene har for liten diameter.	A. Rengjør sugelangene. B. Fjern tilstoppinger eller bytt slitte deler. C. Bytt ut slangen med en med større diameter.
7. Pumpen slår seg av og på for ofte	A. Membranen til ekspansjonstanken er ødelagt B. Trykket i ekspansjonstanken og for lavt	A. La membranen erstattes av den autoriserte tekniske tjenesten. B. Fyll ekspansjonstanken, opp til verdien 1.6 +/-0.2 bar. Se tabell 3..
8. Pumpen vibrerer og lager støy under drift.	A. Sjekk at pumpen og slangen er godt festet. B. Pumpen kaviterer, det betyr at den blir satt til å pumpe mer vann enn den kan klare. C. Pumpen drives over ytelsesgrensene på skiltet.	A. Fest løse deler bedre. B. Reduser sugehøyden eller kontroller tap av pumpevolum. C. Det kan være hensiktsmessig å begrense væskemengden som pumpes ut.



### FYLL EKPANSJONSTANKEN MED LUFT

Trykket i ekspansjonstanken må være av ca. 1,6 + - 0,2 bar. En forhåndsfylling er utført på fabrikken, så ved første oppstart trenger man ikke gjennomføre noen operasjon.

For å fylle luft er det nødvendig å bruke luftpumpe, eller en lignende anordning for å blåse opp dekk med manometeret (manometer).

1. Skru løs det beskyttende lokket
2. Bruk luftpumpen eller oppblåsningsanordningen for dekk på ventilen til eksplansjonskaret, pump luft til manometeret viser ca. 1,6 + -0,2 bar.
3. Skru fast det beskyttende lokket

### 12. GARANTI



**Enhver endring som ikke på forhånd er autorisert, vil frata produsenten ethvert ansvar. Alle reservedeler som brukes til reparasjoner må være originaldelene, og alt tilbehør må være godkjent av produsenten, slik at du kan sikre maksimal sikkerhet for maskiner og systemer som disse kan være påmontert.**

Dette produktet er dekket av en juridisk garanti (i Det europeiske fellesskapet, i 24 måneder fra kjøpsdato) for alle feil som skyldes produksjonsfeil eller materialene som er blitt brukt.

Produktgarantien vil etter skjønn kunne være enten erstatning med en enhet som er i perfekt stand, eller kostnadsfri reparasjon, dersom følgende vilkår overholdes:

- produktet har blitt håndtert på riktig måte og i samsvar med anvisningene, og det ikke er gjort noe forsøk på å reparere av kjøperen selv, eller tredjeparter.
- produktet har blitt levert til butikken der den ble kjøpt, sammen med dokumenter som bekrefter kjøpet (kvittering), og en kort beskrivelse av problemet.

Impelleren og deler som er utsatt for slitasje, dekkes ikke av garantien. Garantikravet vil ikke på noen måte forlenge den opprinnelige garantiperioden.

## SPIS TREŚCI

1. ZASTOSOWANIA .....	92
2. POMPOWANE CIECZE .....	92
3. DANE TECHNICZNE I OGRANICZENIA W ZASTOSOWANIU .....	93
4. ZARZĄDZANIE .....	93
4.1 Przechowywanie .....	93
4.2 Transport .....	93
4.3 Waga i wymiary .....	93
5. OSTRZEŻENIA .....	93
6. INSTALOWANIE .....	94
7. PODŁĄCZENIE ELEKTRYCZNE .....	94
8. URUCHOMIENIE .....	94
9. ŚRODKI OSTROŻNOŚCI .....	95
10. KONSERWACJA I CZYSZCZENIE .....	95
10.1 Czyszczenia filtra zasysającego .....	95
10.2 Czyszczenie zaworu zwrotnego NRV .....	95
11. WYKRYWANIE USTEREK .....	95
NAPEŁNIĆ POWIETRZEM ZBIORNIK WYRÓWNAWCZY .....	96
12. GWARANCJA .....	96

## OSTRZEŻENIA



Przed przystąpieniem do instalowania przeczytać uważnie całą dokumentację.



Przed każdą interwencją odłączyć wtyczkę. Unikać w sposób kategoryczny funkcjonowania na sucho.



Należy osłaniać pompę elektryczną od złych czynników atmosferycznych.



Pompa wyposażona jest w termiczne zabezpieczenie przed przeciążeniem. W razie przegrzania silnika, urządzenie automatycznie wyłącza pompę. Czas chłodzenia wynosi mniej więcej od 15 do 20 minut, a następnie pompa automatycznie włącza się ponownie. Jeśli wyłącznik przeciążenia zadziałał, konieczna jest identyfikacja przyczyn przegrzania. Zobacz Rozwiązywanie problemów.

## 1. ZASTOSOWANIA

Pompy odśrodkowe samozasysające strumieniowe, także z optymalną zdolnością ssania w obecności wody gazowanej. Szczególnie wskazane do zasilania w wodę i do podnoszenia ciśnienia wody w domach wiejskich. Nadające się do drobnych gospodarstw warzywniczych i ogrodniczych, w nagłych wypadkach domowych i do innych celów hobbistycznych. Dzięki kompaktowej i zwrotnej budowie pompy znajdują także specjalne zastosowania, jako pompy podręczne przenośne w nagłych wypadkach, takich jak, pobieranie wody ze zbiorników lub rzek.



Pompy te nie mogą być używane w basenach, stawach, zalewach, w których przebywają ludzie, lub do pompowania węglowodorów (benzyna, olej gazowy, olej napędowy, rozpuszczalniki, itd.) zgodnie z odnoszącymi się obowiązującymi normami przeciwwypadkowymi. Przed odstawieniem na dłuższy czas jest wskazane przystąpienie do fazy czyszczenia. Patrz rozdział "Konserwacja i Czyszczenie".

## 2. POMPOWANE CIECZE

Czysta, bez ciał stałych lub abrazyjnych, nieagresywna.

Woda czysta	•
Woda deszczowa (filtrowana)	•
Woda jasna odpływowa	○
Woda brudna	○
Woda z fontanny (filtrowana)	•
Woda z rzeki lub jeziora (filtrowana)	•
Woda pitna	•

Tabela 1

- Nadająca się
- Nie nadająca się

**3. DANE TECHNICZNE I OGRANICZENIA W ZASTOSOWANIU**

- **Napięcie zasilania: 230 V**, patrz tabliczka danych elektrycznych **Zwłoczne bezpieczniki topikowe linii (wersja 230 V)**: wartości orientacyjne (Amper)
- **Temperatura przechowywania: -10°C +40°C**

Model	Bezpieczniki topikowe linii 230V 50Hz
P1= 850 W	4
P1= 1.100 W	6

Tabela 2

	Model	P1=850W	P1=1100W
Dane Elektryczne	P1 Nominalny pobór mocy [W]	850	1100
	P2 [W]	600	750
	Napięcie sieciowe [V]	1 ~ 220-240 AC	
	Częstotliwość sieciowa [Hz]	50	
	Prąd [A]	3.88	4.58
	Kondensator [µF]	12.5	16
	Kondensator [Vc]	450	
Dane Hydrauliczne	Max wydajność [l/h]	3.180	3.750
	Max wysokość tłoczenia [m]	43	45
	Max ciśnienie tłoczenia [bar]	4.3	4.5
	Max ciśnienie [bar]	6	
	Max głębokość zasysania [m/min]	8 m / < 3min	
	Ciśnienie włączenia [bar]	1.8	
	Ciśnienie wyłączenia [bar]	3.2	
	Wskaźnik ciśnienia	Manometr	Manometr
Zakres stosowania	Dł. kabla zasilającego [m]	1.5	
	Typ kabla	H07 RNF	
	Stopień ochrony silnika	IP X4	
	Klasa izolacji	F	
	Zakres temperatury cieczy [°C] według EN 60335-2-41 do użytku domowego	0 °C / +35 °C	
	Max wymiar cząstek	woda czysta	
	Max temperatura otoczenia [°C]	+40 °C	
Waga	DNM GAS	1" M	
	Waga Netto/Brutto ok. [kg]	14/16.6	14.8/17.4

Tabela 3



**Pompa nie może podtrzymać ciężaru przewodów rurowych, które muszą być podparte w inny sposób.**

**4. ZARZĄDZANIE**

**4.1 Przechowywanie**

Wszystkie pompy powinny być przechowywane w miejscu zakrytym, suchym, pozbawionym wibracji i pyłów i z możliwie stałą wilgotnością powietrza. Pompy zostają dostarczone w swoich oryginalnych opakowaniach, w których muszą pozostać aż do momentu zainstalowania.

**4.2 Transport**

Unikać narażania produktów na niepotrzebne wstrząsy i zderzenia.

**4.3 Waga i wymiary**

Na tabliczce naklejonej na opakowaniu jest wskazana ogólna waga elektropompy i jej wymiary.

**5. OSTRZEŻENIA**

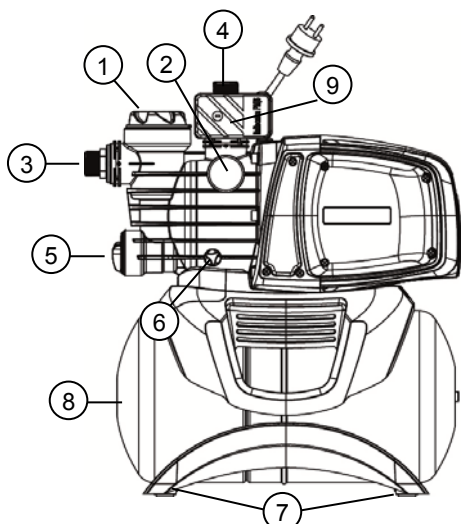


**Pompy nigdy nie powinny być transportowane, podnoszone lub pracować zawieszona używając do tego celu kabel zasilający, należy posługiwać się odpowiednim uchwytem.**

- Pompa nigdy nie powinna pracować na sucho.



## 6. INSTALOWANIE



- 1 Filtr wstępny
- 2 Manometr
- 3 Regulowany łącznik ssawny
- 4 Łącznik tłoczny
- 5 Wbudowany zawór zwrotny
- 6 Korek spustowy
- 7 Antywibracyjne nóżki gumowe
- 8 Zbiornik 18 L
- 9 Flusostat

Elektropompa powinna być zainstalowana w miejscu zabezpieczonym przed złymi warunkami atmosferycznymi i w temperaturze otoczenia nie przekraczającej 40°C.

Pompa jest wyposażona w nóżki antywibracyjne, które w przypadku instalacji stałych można usunąć i przymocować pompę do podstawy oparcia (7).

Unikać, aby przewody rurowe przenosiły nadmierne naprężenia na wyloty pompy (3) i (4), co mogłoby spowodować deformacje lub złamania.

**Dobłą regułą jest ustawienie pompy jak najbliższej cieczy do pompowania.**

Pompa musi być zamontowana tylko i wyłącznie w pozycji poziomej.

Przewody rurowe nie mogą nigdy posiadać wewnętrznej średnicy mniejszej od średnicy otworów elektropompy i w zasysaniu pompa jest wyposażona w filtr (1) i zawór zwrotny (NRV) (5)..

Dla głębokości ssania powyżej 4 metry lub z licznymi przejściami poziomymi zaleca się zastosowania średnicy większej od tej wlotu ssania elektropompy. W celu uniknięcia tworzenia się pęcherzy powietrza w przewodach ssących pamiętać o wykonaniu lekkiego nachylenia dodatniego tegoż przewodu ssącego w kierunku elektropompy. Rys.2

Jeżeli przewody rurowe będą gumowe lub z materiałów giętkich, kontrolować zawsze, jakiego typu jest wzmocnienie odporności na próżnię, aby uniknąć zwężenia na skutek zasysania.

W przypadku instalacji stałej, poleca się zamontować zawór zamykający zarówno po stronie ssawnej jak i po stronie tłocznej. Umożliwi to zamykanie linii doprowadzającej i/lub odprowadzającej użyteczne do wykonywania wszystkich interwencji konserwacyjnych i czyszczenia lub w czasie okresów, w których pompa nie będzie używana.

Pompa jest wyposażona w wejście obrotowe, które ułatwiają instalowanie. (3) i (4).

W przypadku rur giętkich, jeżeli konieczne, używać kolanko rys.1 i zestaw ogrodowy złożony z przewodów rurowych z polietylenu PE i zestaw złączy z łańcą, nie dostarczony, lecz do zakupienia oddzielnie.

W przypadku brudu o bardzo małych cząstkach zaleca się stosować, oprócz filtra wbudowanego (1), filtr wejścia pompy zamontowany na rurze zasysającej.

- Nie narażać silnika na nadmierną ilość uruchomień na godzinę, zaleca się nie przekraczać 20 uruchomień na godzinę.



Średnica rury zasysającej musi być **większa lub równa** średnicy otworu elektropompy, patrz Tabela 3.

## 7. PODŁĄCZENIE ELEKTRYCZNE



Upewnić się, czy napięcie sieci odpowiada danym na tabliczce silnika do zasilania i czy można WYKONAĆ PRAWDŁOWE UZIEMIENIE. **Przestrzegać wskazania przedstawione na tabliczce technicznej i w niniejszej instrukcji tabela 3.**

**Długość kabla zasilającego znajdującego się w pompie ogranicza odległość instalowania, w przypadku konieczności użycia przedłużacza upewnić się, aby był tego samego typu (np. H05 RN-F lub H07 RN-F w zależności od instalacji) patrz tab.3..**

## 8. URUCHOMIENIE



Nie uruchamiać pompy bez całkowitego napełnienia jej cieczą, około 4 litrów.

W przypadku, gdy wyczerpie się zasób wody, natychmiast odłączyć wtyczkę, zgasić pompę. Unikać pracy na sucho.

1. Przed uruchomieniem kontrolować, czy pompa jest poprawnie zalana, napełniając ją całkowicie czystą wodą poprzez odpowiedni otwór napełniający, po wyjęciu przezroczystego korka zalewowego filtra (1), rękami lub odpowiednim narzędziem dostarczonym na wyposażeniu. Otworzyć jednocześnie także korek odpowietrzający (2), aby spuścić powietrze. Czynność ta jest niezbędna w ramach prawidłowego działania pompy, aby uszczelnienie mechaniczne było dobrze nasmarowane. **Działanie na sucho powoduje nieodwracalne uszkodzenie uszczelnienia mechanicznego.**
2. Korek zalewowy musi być ponownie dokładnie zakręcony aż do końca (1).
3. Włączyć wtyczkę kabla zasilającego do gniazdka prądu elektrycznego 230 V. **Uwaga!** Silnik pompy natychmiast włączy się, woda zacznie wychodzić po maksimum 3 minutach, co będzie zależec od głębokości poziomu wody, w zbiorniku lub cysternie.

4. Po osiągnięciu maksymalnego ciśnienia pompa automatycznie wyłączy się. Jeżeli, używając wodę, ciśnienie zejdzie poniżej minimalnego ciśnienia pompa włączy się automatycznie. Patrz Tab.3.
5. Aby zgasić definitywnie pompę odłączyć wtyczkę kabla zasilającego.



W przypadku problemów z zalewaniem, powtórzyć operację dopóki nie wyjdzie wszystko powietrze z zasysania.

## 9. ŚRODKI OSTROŻNOŚCI

**NIEBEZPIECZEŃSTWO MROZU:** jeżeli pompa będzie składowana nieużywana w temperaturze poniżej 0°C, należy upewnić się, czy nie ma w niej resztek wody, które zamarzając mogłyby spowodować pęknięcia części plastikowych. Jeżeli pompa była używana z substancjami, które mają tendencję do osadzania się lub z wodą chlorowaną, po użyciu wypłukać ją silnym strumieniem wody, tak aby uniknąć powstawania osadów i zakamienienia, które powodowałyby zmniejszenia charakterystyk pompy.

## 10. KONSERWACJA I CZYSZCZENIE

Elektropompa przy normalnej pracy nie wymaga żadnego rodzaju konserwacji. W każdym razie wszystkie interwencje naprawy i konserwacji muszą być wykonywane tylko po uprzednim wyłączeniu pompy z sieci zasilania. Gdy ponownie włączy się pompę upewnić się, czy została zamontowana zgodnie z regułami sztuki, aby nie stwarzać niebezpieczeństwa dla rzeczy i osób.

### 10.1 Czyszczenia filtra zasysającego

(Rys. 3)

- Wyłączyć zasilanie elektryczne pompy.
- Drenować pompę, otwierając korek spustowy (6), zamykając uprzednio zasuwę na wlocie (jeżeli obecne).
- Odkręcić pokrywę komory filtra, rękoma lub specjalnym narzędziem na wyposażeniu.
- Wyciągnąć od góry zespół filtra.
- Wypłukać kubek pod bieżącą wodą i wyczyścić filtr miękką szczoteczką.
- Zamontować filtr wykonując operacje w odwrotnym kierunku.

### 10.2 Czyszczenie zaworu zwrotnego NRV

(Rys.4)

- Wyłączyć zasilanie elektryczne pompy.
- Wyjąć korek z zaworu zwrotnego NRV (5) akcesorium dostarczonym na wyposażeniu.
- Zdjąć zawór zwrotny NRV i wyczyścić z zabrudzeń rys.9.
- Zamontować części w kierunku odwrotnym do sekwencji demontażu.

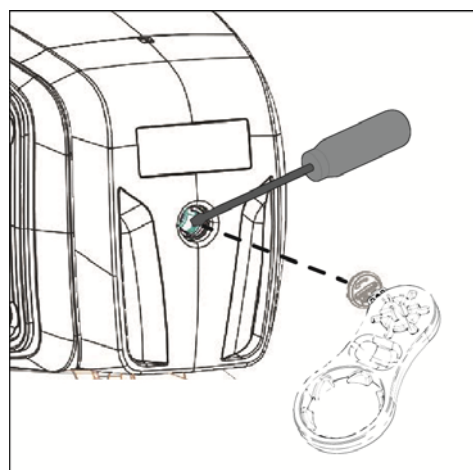
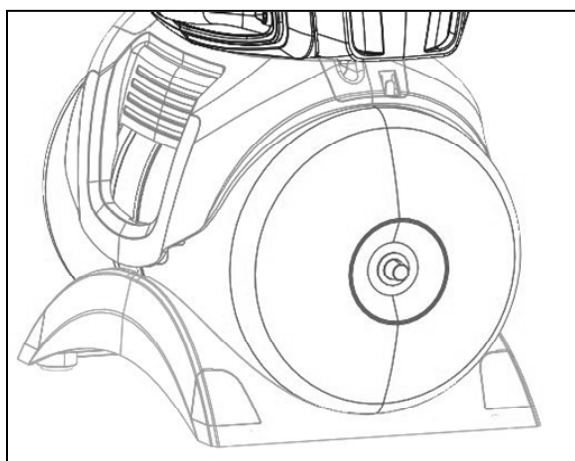
## 11. WYKRYWANIE USTEREK



Przed podjęciem decyzji o przeprowadzeniu jakichkolwiek napraw, należy odłączyć pompę od zasilania (np. wyjąć wtyczkę z gniazdka). Jeśli istnieje jakiegokolwiek uszkodzenie przewodu zasilającego lub pompy, wszystkie niezbędne naprawy lub wymiany muszą być wykonywane przez producenta, lub upoważnionego serwisu, lub przez osoby równie wykwalifikowane, w celu uniknięcia wszelkiego ryzyka.

PROBLEMY	KONTROLE (możliwe przyczyny)	ŚRODKI ZARADCZE
1. Silnik nie uruchamia się i nie wydaje hałasu.	A. Sprawdzić podłączenia elektryczne. B. Sprawdzić, czy silnik jest zasilany. C. Sprawdzić zabezpieczające bezpieczniki topikowe. D. Możliwa interwencja zabezpieczenia termicznego.	C. Jeżeli przepalony, wymienić je. D. Począkać około 20 min, żeby silnik się ochłodził. Sprawdzić przyczynę, która ją spowodowała i usunąć ją. <b>NB.</b> Ewentualne i natychmiastowe przywrócenie do pierwotnego stanu może świadczyć o tym, że silnik jest w zwarcu.
2. Silnik nie uruchamia się, ale wydaje hałas.	A. Upewnić się, czy napięcie zasilania odpowiada temu na tabliczce. B. Wyszukać ewentualne zatkania pompy lub silnika. C. Sprawdzić, czy wał nie jest zablokowany. D. Sprawdzić stan kondensatora.	B Usunąć zatkania. C. Stosować przyrząd na wyposażeniu, aby odkręcić pokrywę i śrubokrętem odblokować wał. D. Wymienić kondensator.
3. Silnik obraca się z trudnością.	A. Sprawdzić, czy napięcie zasilania jest wystarczające. B. Skontrolować możliwe zadrapania pomiędzy częściami ruchomymi, a częściami stałymi.	B. Zadbać o usunięcie przyczyn zadrapań..
4. Pompa nie pracuje.	A. Pompa nie jest zalana prawidłowo. B. Przewód ssący z niewystarczającą średnicą. C. Zawór zwrotny NRV lub filtr zatkane.	A. Napelnić pompę wodą i dokonać zalania, zwracając uwagę, aby wyszło powietrze odkręcając korek odpowietrzający. B. Wymienić przewód ssący na inny o większej średnicy. C. Wyczyścić filtr i w przypadku, gdyby było niewystarczające, zawór NRV.

PROBLEMY	KONTROLE (możliwe przyczyny)	ŚRODKI ZARADCZE
5. Pompa nie zalewa się.	A. Wyczyścić filtr i w przypadku, gdyby było niewystarczające, zawór NRV. B. Niekorzystne nachylenie przewodu ssącego powoduje tworzenie się pęcherzy powietrza.	A. Wylimitować zjawisko, kontrolując szczelność połączeń i zasysające przewody rurowe, powtórzyć operację zalania. B. Poprawić nachylenie przewodu ssącego.
6. Pompa nie osiąga wystarczającego natężenia przepływu.	A. Rura zasysająca jest zatkana. B. Wirnik zużyty lub zatkany. C. Niewystarczająca średnica przewodu ssącego.	A. Wyczyścić rurę zasysającą. B. Wymienić lub usunąć zanieczyszczenia z wirnika. C. Wymienić przewód ssący na inny o większej średnicy.
7. Pompa włącza się i wyłącza za często.	A. Membrana zbiornika wyrównawczego uszkodzona. B. Ciśnienie zbiornika wyrównawczego za niskie.	A. Wymienić membranę przez autoryzowanego technika serwisu. B. Napędzić zbiornik wyrównawczy, do osiągnięcia 1.6 +/-0.2 bar. Patrz Tab.3.
8. Pompa wibruje przy hałaśliwym działaniu.	A. Sprawdzić, czy pompa i przewody są dobrze przymocowane. B. Pompa kawituje, tzn. wykazuje większe zapotrzebowanie wody od tego co zdoła przepompować. C. Pompa pracuje powyżej wartości podanych na tabliczce.	A. Zablokować lepiej poluzowane części. B. Zmniejszyć wysokość ssania i skontrolować straty ciśnienia. C. Można spróbować ograniczyć natężenie przepływu po stronie tłocznej.



#### NAPEŁNIĆ POWIETRZEM ZBIORNIK WYRÓWNAWCZY

Ciśnienie w zbiorniku wyrównawczym musi być około 1.6 +/-0.2 bar. Zostaje on fabrycznie wstępnie napełniony, a więc przy rozruchu nie jest konieczne wykonanie żadnej operacji.

Aby napełnić powietrzem jest konieczna pompa powietrzna lub przyrząd do pompowania opon z wskaźnikiem ciśnienia (manometr).

1. Odkręcić pokrywę ochronną
2. Dołączyć do zaworu zbiornika wyrównawczego pompę powietrzną lub przyrząd do pompowania opon, pompować powietrze dopóki manometr nie wskaże około 1.6 +/-0.2 bar.
3. Zakręcić ponownie pokrywę ochronną.

#### 12. GWARANCJA



**Jakakolwiek modyfikacja nie upoważniona uprzednio, zwalnia konstruktora od jakiegokolwiek rodzaju odpowiedzialności. Wszystkie części zamienne użyte do napraw muszą być oryginalne i wszystkie akcesoria muszą być upoważnione przez konstruktora, tak, aby móc zapewnić maksymalne bezpieczeństwo maszyn i urządzeń, na których mogą być one zamontowane.**

Ten produkt objęty jest gwarancją ustawową (w Unii Europejskiej trwającą 24 miesiące począwszy od daty zakupu) odnoszącą się do wszystkich defektów wynikających z wad fabrycznych lub zastosowanych materiałów.

Produkt objęty gwarancją będzie mógł, według uznania, albo być wymieniony na inny o doskonałym stanie funkcjonowania lub naprawiony bezpłatnie, jeżeli będą przestrzegane następujące warunki:

- Produkt był używany w sposób poprawny i zgodnie z instrukcjami i nie była wykonana próba naprawy przez nabywcę lub osoby trzecią.
- Produkt zostanie dostarczony do punktu nabycia, załączając dokument potwierdzający kupno (faktura lub paragon fiskalny) i krótki opis zauważonego problemu.

Wirnik i części podatne na zużycie, nie podlegają gwarancji. Interwencja gwarancyjna w żaden sposób nie przedłuża okresu początkowego.

# ÍNDICE

<b>1. APLICAÇÕES</b> .....	<b>97</b>
<b>2. LÍQUIDOS BOMBEÁVEIS</b> .....	<b>97</b>
<b>3. DADOS TÉCNICOS E LIMITAÇÕES DE USO</b> .....	<b>98</b>
<b>4. GESTÃO</b> .....	<b>98</b>
4.1 Armazenagem .....	98
4.2 Transporte .....	98
4.3 Peso e dimensões .....	98
<b>5. AVISOS</b> .....	<b>98</b>
<b>6. INSTALAÇÃO</b> .....	<b>99</b>
<b>7. LIGAÇÃO ELÉTRICA</b> .....	<b>99</b>
<b>8. ARRANQUE</b> .....	<b>99</b>
<b>9. PRECAUÇÕES</b> .....	<b>100</b>
<b>10. MANUTENÇÃO E LIMPEZA</b> .....	<b>100</b>
10.1 Limpeza do filtro de sucção .....	100
10.2 Limpeza da válvula de retenção NRV .....	100
<b>11. LocalizaÇÃO avarias</b> .....	<b>100</b>
<b>ENCHIMENTO DO VASO DE EXPANSÃO COM AR</b> .....	<b>101</b>
<b>12. GARANTIA</b> .....	<b>101</b>

## AVISOS



Antes de fazer a instalação, ler muito bem todo este documento.



Antes de qualquer intervenção, retirar a ficha da tomada. Evitar absolutamente o funcionamento a seco.



Proteger a electrobomba das intempéries.



**Protecção contra a sobrecarga:** a bomba é dotada de um aparelho de protecção térmica. Em caso de possível sobreaquecimento do motor, o aparelho de protecção desliga a bomba automaticamente. O tempo de arrefecimento é de cerca de 15-20 min e em seguida a bomba liga-se automaticamente. Após a intervenção da protecção, é absolutamente necessário localizar a causa e eliminá-la. Consulte o parágrafo Localização dos Defeitos.

## 1. APLICAÇÕES

Bombas centrífugas auto-ferrantes de jacto com óptima capacidade de aspiração também na presença de água gaseificada. Indicadas especialmente para o abastecimento de água e pressurização em casas no campo. Apropriadas para hortas e jardins de pequenas dimensões, emergências e utilização doméstica em geral. Graças à forma compacta e maneável também podem ser utilizadas como bomba portátil para em casos de emergências, como sucção de água de reservatórios ou rios.



**Esta bomba não pode ser utilizada em piscinas, lagoas, lagos com presença de pessoas e/ ou para a bombagem de hidrocarbonetos (gasolina, gasóleo, óleos combustíveis, solventes etc.) segundo as normas de prevenção de acidentes vigentes em matéria. Antes de arrumar a bomba, recomenda-se fazer a limpeza. Consultar o capítulo “Manutenção e Limpeza”.**

## 2. LÍQUIDOS BOMBEÁVEIS

Limpo, sem corpos sólidos ou abrasivos, não agressivo.

Águas doces	•
Águas pluviais (filtrada)	•
Águas limpas residuais	○
Águas sujas	○
Água de chafariz (filtrada)	•
Água de rio ou lago (filtrada)	•
Água potável	•

Tabela 1

- Adequado
- Não adequado

**3. DADOS TÉCNICOS E LIMITAÇÕES DE USO**

- **Tensão de alimentação: 230V**, veja a placa de características elétricas
- **Fusíveis de linha de ação retardada (versão 230V):** valores indicativos (Ampere)
- **Temperatura de armazenagem:** -10°C +40°C

Modelo	Fusíveis de linha 230V 50Hz
P1= 850 W	4
P1= 1.100 W	6

Tabela 2

	Modelo	P1=850W	P1=1100W
Dados elétricos	P1 Potência nominal absorvida [W]	850	1100
	P2 [W]	600	750
	Voltagem de rede [V]	1 ~ 220-240 AC	
	Frequência de rede [Hz]	50	
	Corrente [A]	3.88	4.58
	Condensador [µF]	12.5	16
	Condensador [Vc]	450	
Dados Hidráulicos	Caudal máx. [l/h]	3.180	3.750
	Altura manométrica máx. [m]	43	45
	Altura manométrica máx. [bar]	4.3	4.5
	Pressão máx. [bar]	6	
	Profundidade máx. de sucção [m/min]	8 m / < 3min	
	Pressão de arranque [bar]	1.8	
	Pressão de paragem [bar]	3.2	
Indicador de pressão	Manómetro	Manómetro	
Campo de aplicação	Compr. Cabo de alimentação [m]	1.5	
	Tipo de cabo	H07 RNF	
	Grau de proteção do motor	IP X4	
	Classe de isolamento	F	
	Intervalo de temperatura do líquido [°C] segundo EN 60335-2-41 para utilização doméstica	0 °C / +35 °C	
	Dimensão máx. das partículas	água limpa	
	Máx. Temperatura ambiente [°C]	+40 °C	
Peso	DNM GAS	1" M	
	Peso líquido/bruto aprox. [kg]	14/16.6	14.8/17.4

Tabela 3



**A bomba não pode sustentar o peso de tubagens. Este peso deve ser apoiado em outra posição.**

**4. GESTÃO**

**4.1 Armazenagem**

Todas as bombas devem ser armazenadas em lugar coberto, seco e com humidade do ar possivelmente constante, sem vibrações ou poeira. São fornecidas na sua embalagem original na qual devem ser mantidas até que tenham sido instaladas.

**4.2 Transporte**

Evitar submeter os produtos a batidas ou choques inúteis.

**4.3 Peso e dimensões**

Na plaqueta adesiva da embalagem está indicado o peso total da eletrobomba e as suas dimensões.

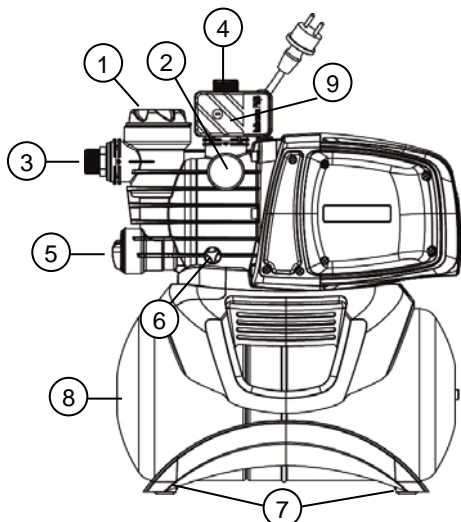
**5. AVISOS**



**As bombas nunca devem ser transportadas, levantadas ou acionadas se suspensas pelo cabo de alimentação. Utilizar apenas a pega.**

- A bomba não deve nunca funcionar a seco.

## 6. INSTALAÇÃO



- 1 Pré-filtro
- 2 Manómetro
- 3 Ligaçao de sucção orientável
- 4 Ligaçao de descarga
- 5 Válvula de retenção integrada
- 6 Tampa de descarga
- 7 Pés de borracha antivibratórios
- 8 Reservatório de 18 l.
- 9 Fluxostato

A eletrobomba deve ser instalada em lugar protegido das intempéries e com temperatura ambiente não superior a 40 °C.

A bomba está equipada com pés antivibratórios, mas em caso de instalações fixas é possível retirá-los e fazer a ancoragem na base de apoio (7).

Evitar que os tubos transmitam esforços excessivos aos bocais da bomba (3) e (4), para que não haja deformações nem ruturas.

**É sempre boa norma posicionar a bomba o mais perto possível do líquido a bombear.**

A bomba deve ser instalada exclusivamente em posição horizontal.

As tubagens nunca devem ser de diâmetro interior inferior ao dos bocais da eletrobomba. Na sucção a bomba possui filtro (1) e válvula de retenção (NRV) (5).

Para profundidades de aspiração além dos quatro metros com longos percursos horizontais, é aconselhável a utilização de um tubo de aspiração de diâmetro superior ao da boca de aspiração da eletrobomba. Para evitar a formação de bolsas de ar no tubo de aspiração, prever uma leve inclinação positiva do próprio tubo de aspiração para a eletrobomba. Fig.2

Se a tubagem de sucção for de borracha ou de material flexível, controlar sempre que seja do tipo reforçado resistente ao vácuo para evitar retrações pelo efeito da sucção.

Em caso de instalação fixa, recomenda-se montar uma válvula de fecho tanto no lado de sucção como no lado de recalque. Isso permite fechar a linha a montante e/ou a jusante da bomba, o que é útil para todas as operações de manutenção e limpeza ou para os períodos de não utilização da bomba.

A bomba está equipada com entrada rotatórias para facilitar a instalação. (3) e (4).

Em caso de tubos flexíveis, se necessário, utilizar uma curva (fig. 1) e o kit de jardinagem composto de tubagem em PE e kit de ligações com agulheta, não fornecidos, mas que podem ser comprados separadamente.

Em caso de sujidades de pequenas dimensões, recomenda-se utilizar um filtro na entrada da bomba montado no tubo de sucção, além do filtro integrado (1).

- Não submeter o motor a um número de arranques por hora excessivo. Recomenda-se vivamente não superar 20 arranques por hora.



**O diâmetro do tubo de sucção deve ser maior ou igual ao diâmetro do bocal da eletrobomba. Ver o Tabela 3.**

## 7. LIGAÇÃO ELÉTRICA



Verificar se a tensão de rede corresponde à nominal do motor a alimentar e se é possível REALIZAR UMA BOA LIGAÇÃO À TERRA. **Seguir as instruções da placa de características técnicas e o quadro 3 deste manual.**

**O comprimento do cabo de alimentação presente na bomba limita a distância de instalação. Se for necessária uma extensão, certificar-se que seja do mesmo tipo (ex. H05 RN-F ou H07 RN-F consoante a instalação). Ver tabela 3.**

## 8. ARRANQUE



Não ligar a bomba se não estiver completamente cheia de líquido, cerca de 4 litros.

Se o líquido terminar, desligar de imediato a bomba retirando a ficha da tomada. Evitar o funcionamento a seco.

1. Antes do arranque, deve ser feito o escorvamento da bomba enchendo-a por completo com água limpa através da respetiva abertura, depois de ter retirado a tampa de enchimento do filtro transparente (1), com as mãos ou com o instrumento fornecido. Abrir ao mesmo tempo a tampa de respiro (2) para que o ar saia. Esta operação é fundamental para o funcionamento perfeito da bomba, indispensável para que o empanque mecânico resulte bem lubrificado. **O funcionamento sem líquido provoca danos irreparáveis no empanque mecânico.**
2. A tampa de enchimento deverá ser aparafusada de novo muito bem até parar (1).
3. Ligar a ficha do cabo de alimentação a uma tomada de corrente de 230 V. **Atenção!** O motor da bomba arranca de imediato, a água começa a sair depois de no máximo 3 minutos. Isso depende da profundidade do nível da água, no poço ou cisterna.

4. Alcançada a pressão máxima, a bomba desativa-se de modo automático. Se, utilizando água, a pressão descer abaixo da pressão mínima, a bomba ativa-se de modo automático. Ver Quadro 3.
5. Para desligar definitivamente a bomba, retirar a ficha do cabo de alimentação da tomada.



Em caso de problemas com o escorvamento, repetir o procedimento até eliminar todo o ar da aspiração.

## 9. PRECAUÇÕES

**PERIGO DE GELO:** quando a bomba permanecer inativa e a temperatura for inferior a 0 °C, é necessário assegurar-se que não haja água, pois há o risco de congelação que causaria fissuras nas partes de plástico.

Se a bomba foi utilizada com substâncias que podem depositar-se ou com água com cloro, enxaguar após a utilização com um forte jato de água para evitar que se formem depósitos ou incrustações que podem prejudicar as características da bomba.

## 10. MANUTENÇÃO E LIMPEZA

Durante o funcionamento normal, a eletrobomba não necessita de nenhum tipo de manutenção. Em todo o caso, todas as intervenções de reparação e manutenção devem ser feitas somente após ter desligado a bomba da rede de alimentação. Na altura do novo acionamento da bomba, certificar-se que esta tenha sido montada corretamente para que não haja perigo para as coisas e pessoas.

### 10.1 Limpeza do filtro de sucção

(Fig.3)

- Desligar a alimentação elétrica da bomba.
- Esvaziar a bomba. Para tal, abrir a tampa de descarga (6) depois de fechar as válvulas a montante (quando presentes).
- Desaparafusar a tampa da câmara do filtro, com as mãos ou com o acessório fornecido.
- Retirar a unidade do filtro pela parte superior.
- Enxaguar o copo com água corrente e limpar o filtro com uma escova macia.
- Voltar a montar o filtro seguindo as operações no sentido oposto.

### 10.2 Limpeza da válvula de retenção NRV

(Fig.4)

- Desligar a alimentação elétrica da bomba.
- Retirar a tampa da válvula NRV (5) utilizando o acessório fornecido.
- Retirar a válvula de retenção e limpá-la para remover a sujidade (Fig. 9).
- Montar as partes no sentido oposto à sequência de desmontagem.

## 11. LOCALIZAÇÃO AVARIAS

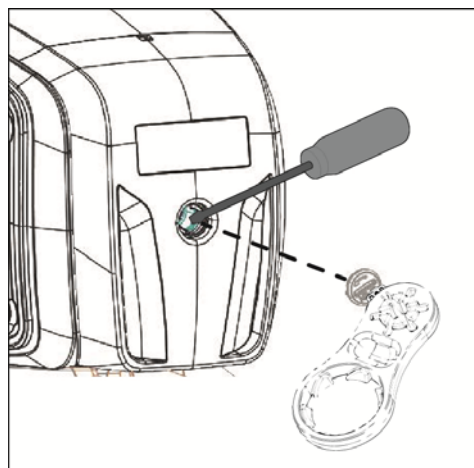
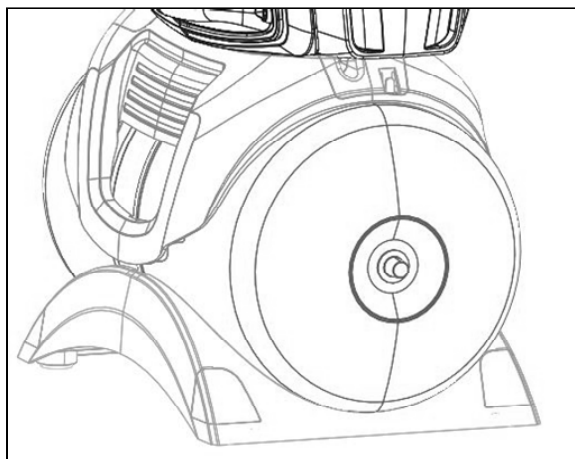


Antes de iniciar a localização dos defeitos, é necessário desligar a ligação eléctrica da bomba (desligar a fichada tomada). Se o cabo eléctrico ou a bomba, em qualquer parte eléctrica, estiver danificado, a intervenção de reparação ou substituição deve ser feita pelo Fabricante ou pelo seu serviço de assistência técnica ou por uma pessoa com qualificação equivalente, de modo a prevenir todos os riscos.

INCONVENIENTES	VERIFICAÇÕES (causas possíveis)	REMÉDIOS
1. O motor não arranca e não produz ruído.	A. Verificar as ligações eléctricas. B. Verificar que o motor seja alimentado. C. Verificar os fusíveis de protecção. D. Possível atuação do disjuntor térmico.	C. Se queimados, substituir. D. Aguardar cerca de 20 min para que o motor arrefeça. Localizar a causa e eliminá-la. <b>Atenção:</b> se a avaria se repetir imediatamente, significa que o motor está em curto-circuito..
2. O motor não arranca mas produz ruído.	A. Verificar se a tensão da rede corresponde à nominal. B. Procurar eventuais obstruções da bomba ou do motor. C. Verificar se o eixo não está bloqueado. D. Verificar o estado do condensador.	B. Remover as obstruções. C. Com o instrumento fornecido, desaparafusar a tampa e com uma chave de parafuso desbloquear o eixo. D. Substituir o condensador.
3. O motor funciona com dificuldade.	A. Certificar-se de que a tensão de alimentação não seja insuficiente. B. Verificar possíveis atritos entre partes móveis e partes fixas.	B. Tratar de eliminar as causas do atrito.
4. A bomba não fornece líquido.	A. A bomba não foi ferrada correctamente.. B. Tubo de aspiração com diâmetro insuficiente. C. Válvula de retenção NRV ou filtros obstruídos.	A. Encher a bomba de água e fazer o escorvamento. É necessário desaparafusar a tampa do respiro para que o ar saia. B. Substituir o tubo por um de diâmetro superior. C. Limpar de novo o filtro e, se não for suficiente, também a válvula NRV.

## PORTUGUÊS

INCONVENIENTES	VERIFICAÇÕES (causas possíveis)	REMÉDIOS
5. A bomba não ferra.	A. Sucção do ar através do tubo de sucção.  B. A inclinação negativa do tubo de aspiração favorece a formação de bolsas de ar.	A. Eliminar o fenómeno, controlando a estanquidade das ligações e a tubagem de sucção, e repetir a operação de escorvamento. B. Corrigir a inclinação do tubo de aspiração.
6. A bomba fornece um débito insuficiente.	A. O tubo de sucção está obstruído. B. O impulsor está gasto ou obstruído.  C. Tubos de aspiração de diâmetro insuficiente.	A. Limpar o tubo de sucção. B. Remover as obstruções ou substituir as peças gastas. C. Substituir o tubo por outro de diâmetro superior..
7. A bomba ativa-se e desativa-se com muita frequência.	A. Membrana do vaso de expansão danificada. B. A pressão do vaso de expansão está demasiado baixa.	A. Mandar substituir a membrana pelo serviço de assistência técnica autorizado. B. Carregar o vaso de expansão até alcançar uma carga de 1.6 +-0.2 bar. Ver Quadro 3.
8. A bomba vibra com funcionamento ruidoso.	A. Verificar se a bomba e/ou os tubos estão fixados bem. B. A bomba está em cavitação, ou seja, a água pedida é mais da que consegue bombear. C. A bomba trabalha além dos dados nominais.	A. Fixar com mais cuidado as partes desapertadas. B. Reduzir a altura de aspiração e controlar as perdas de carga. C. Pode ser útil limitar o débito na compressão.



### ENCHIMENTO DO VASO DE EXPANSÃO COM AR

A pressão no vaso de expansão deve ser de cerca de 1.6 +-0.2 bar. É feito um pré-carregamento na fábrica e na altura do primeiro arranque não é necessário fazer nenhuma operação.

Para o enchimento com ar é necessária uma bomba a ar ou um dispositivo para encher pneus com indicador de pressão (manómetro).

1. Desaparafusar a tampa de proteção.
2. Aplicar a bomba a ar ou o dispositivo de encher pneus na válvula do vaso de expansão, bombear até que o manómetro indique cerca de 1.6 +-0.2 bar
3. Aparafusar a tampa de proteção.

### 12. GARANTIA



**Qualquer modificação não autorizada previamente isenta o fabricante de todo tipo de responsabilidade. Todas as peças sobresselentes utilizadas para as reparações devem ser originais e todos os acessórios devem ser autorizados pelo fabricante para poder garantir a máxima segurança das máquinas e dos sistemas nos quais estas podem ser montadas.**

Este produto está coberto por garantia legal (na Comunidade Europeia durante 24 meses a contar da data de compra) contra todos os defeitos de fabrico ou do material utilizado.

O produto em garantia poderá ser, à discrição, substituído por um em perfeito estado de funcionamento ou reparado gratuitamente se cumpridas as seguintes condições:

- o produto foi utilizado de modo correto e conforme as instruções e não houve tentativa de reparação pelo comprador ou terceiros;
- o produto foi entregue ao ponto de venda onde adquirido, com o documento que comprova a compra anexado (fatura ou talão de compra) e uma breve descrição do problema ocorrido.

O impulsor e as partes sujeitas a desgaste não são abrangidos pela garantia. A intervenção ao abrigo da garantia não aumenta o período inicial de forma alguma.



## INDICE

<b>1. APLICAȚI</b> .....	<b>102</b>
<b>2. LICHIDE CE POT FI POMPATE</b> .....	<b>102</b>
<b>3. DATE TEHNICE ȘI LIMITĂRI DE FOLOS</b> .....	<b>103</b>
<b>4. GESTIUNE</b> .....	<b>103</b>
4.1 Inmagazinare.....	103
4.2 Transport.....	103
4.3 Greutate și dimensiuni .....	103
<b>5. AVERTISMENTE</b> .....	<b>103</b>
<b>6. INSTALARE</b> .....	<b>104</b>
<b>7. BRANȘAMENT ELECTRONIC</b> .....	<b>104</b>
<b>8. PORNIRE</b> .....	<b>104</b>
<b>9. PRECAUȚII</b> .....	<b>105</b>
<b>10. ÎNTREȚINERE ȘI CURĂȚIRE</b> .....	<b>105</b>
10.1 Pulizia del filtro di aspirazione .....	105
10.2 Curățarea NRV .....	105
<b>11. REZOLVAREA PROBLEMELOR</b> .....	<b>105</b>
<b>UMPLEREA CU AER A VASULUI DE EXPANSIUNE</b> .....	<b>106</b>
<b>12. GARANȚIA</b> .....	<b>106</b>

### AVERTISMENTE



Înainte de a începe montarea citiți cu atenție întreaga documentație.



Înainte de orice intervenție, scoateți cablul de alimentare din priză. Evitați neapărat funcționarea uscată.



Protejați electropompa împotriva intemperiilor.



Protecție la suprasarcină. Pompa este prevăzută cu dispozitiv de protecție termică a motorului. În caz de supraîncălzire a motorului, dispozitivul de protecție oprește pompa automat. Timpul de răcire este de aproximativ 15-20 min., apoi pompa repornește automat. După declanșarea dispozitivului de protecție a motorului este necesar să identificați și să eliminați cauza care a determinat-o. Consultați Rezolvarea problemelor.

### 1. APLICAȚI

Pompe cu autoamorsare, cu jet și capacitate optimă de aspirație chiar și în prezența aerului în apa aspirată. Indicate în special pentru alimentare cu apă și presurizare pentru ferme. Recomandate pentru îngrijirea la scară mică a grădinilor de legume și pentru grădinarit, situații casnice de urgență și activități amatoriile în general. Datorită formei compacte și ușor de manevrat poate fi folosită și în aplicații speciale, precum pompă portabilă pentru situații de urgență, cum ar fi scoaterea apei din rezervoare sau râuri.



Aceste pompe nu pot să fie utilizate în piscine, iazuri, bazine în prezența persoanelor, sau pentru pomparea hidrocarburilor (benzina, motorina, uleiuri combustibile, solvenți, etc.) conform normelor de prevenire a accidentelor în vigoare. Înainte de înmagazinare este bine să asigurați curățarea acestora. A se vedea capitolul „Întreținerea și curățarea”.

### 2. LICHIDE CE POT FI POMPATE

Curat, fara corpuri solide sau abrazive, neagresiv.

Apă dulce	•
Apă de ploaie (filtrată)	•
Ape pluviale	○
Ape murdare	○
Apă de fântână (filtrată)	•
Apă de râu sau de lac (filtrată)	•
Apă potabilă	•

Tabel 1

- Adecvată
- Neadecvată

## 3. DATE TEHNICE ȘI LIMITĂRI DE FOLOS

- **Tensiune de alimentare: 230V**, a se vedea plăcuța date tehnice
- **Fuzibili de linie întârziati (versiunea 230V):** valori indicative (Amper)
- **Temperatură de magazinaj:** -10°C +40°C

Model	Fuzibili de linie 230V 50Hz
P1= 850 W	<b>4</b>
P1= 1.100 W	<b>6</b>

Tabel 2

Model	P1=850W	P1=1100W	
Date electrice	P1 Putere absorbită nominală [W]	850	1100
	P2 [W]	600	750
	Tensiune de alimentare [V]	1 ~ 220-240 AC	
	Frecvență de alimentare [Hz]	50	
	Curent [A]	3.88	4.58
	Condensator [μF]	12.5	16
	Condensator [Vc]	450	
Date hidraulice	Debit max. [l/h]	3.180	3.750
	Înălțime de pompare max. [m]	43	45
	Înălțime de pompare max. [bar]	4.3	4.5
	Presiune max. [bar]	6	
	Adâncime de aspirare max. [m/min]	8 m / < 3min	
	Presiune pornire [bar]	1.8	
	Presiune oprire [bar]	3.2	
	Indicator de presiune	Manometru	Manometru
Domeniu de utilizare	Lung. cablu alimentare [m]	1.5	
	Tip cablu	H07 RNF	
	Grad de protecție motor	IP X4	
	Clasă de izolație	F	
	Interval temperatură lichid [°C] conform EN 60335-2-41 pentru uz casnic	0 °C / +35 °C	
	Dimensiune max. particule	apă curată	
	Temperatură ambiantă max. [°C]	+40 °C	
Greutate	DNM GAS	1" M	
	Greutate netă/brută aprox. [kg]	14/16.6	14.8/17.4

Tabel 3



**Pompa nu poate susține greutatea conductelor, pentru a căror susținere trebuie să se găsească o altă soluție.**

## 4. GESTIUNE

## 4.1 Inmagazinare

Toate pompele trebuie să fie inmagazinate în loc acoperit, uscat și cu umiditatea aerului dacă este posibil constantă, fără vibrații și prafuri. Sunt livrate în ambalajul original în care trebuie să rămână până în momentul instalării.

## 4.2 Transport

Evitați să supuneți produsele la lovituri și ciocniri inutile.

## 4.3 Greutate și dimensiuni

Eticheta adezivă de pe ambalaj indică greutatea totală a electropompei și dimensiunile sale.

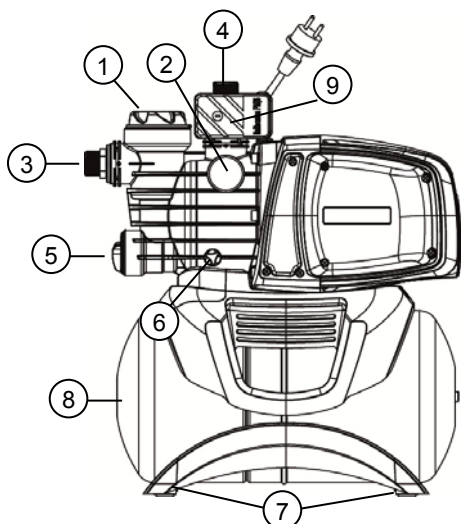
## 5. AVERTISMENTE



**Pompele nu trebuie niciodată transportate, ridicate sau puse în funcțiune suspendate de cablul de alimentare, folosiți mânerul special.**

- Pompa nu trebuie niciodată să fie pus în funcțiune pe uscat.

## 6. INSTALARE



- 1 Prefiltru
- 2 Manometru
- 3 Racord de aspirație orientabil
- 4 Racord de refulare
- 5 Supapă de reținere integrată
- 6 Bușon de evacuare
- 7 Piciorușe din cauciuc antivibrație
- 8 Rezervor de 18 l.
- 9 Fluxostat

Electropompa trebuie montată într-un spațiu protejat împotriva intemperțiilor și cu o temperatură ambientă nu mai mare de 40°C.

Pompa este prevăzută cu piciorușe antivibrație; în cazul aplicațiilor fixe, acestea pot fi scoase și se poate prevedea un sistem de ancorare în baza de susținere (7).

Evitați suprasolicitarea de către conducte a gurilor (3) și (4) ale pompei, pentru a nu cauza deformarea sau ruperea acestora.

**Este bine să poziționați pompa cât mai aproape posibil de lichidul de**

**pompare.**

Pompa trebuie să fie instalată numai în poziție orizontală.

Diametrul intern al conductelor nu trebuie să fie niciodată mai mic decât cel al gurii electropompei; pe latura aspirației, pompa este prevăzută cu un filtru (1) și o supapă de reținere (NRV) (5).

Pentru o adâncime de aspirare mai mare de 4 metri sau cu trasee mari pe orizontală, este recomandat să folosiți o teava de aspirație de diametru mai mare decât cel al gurii de aspirație a electropompei. Pentru a evita acumularea aerului în teava de aspirare, prevedeați o ușoară înclinare a teviilor de aspirație urcând spre electropompa. Fig.2

În cazul în care conducta de aspirație este din cauciuc sau alte materiale flexibile verificați întotdeauna dacă este ranforsată și rezistentă la vid, pentru a evita **\*\*scurtări\*\*** ca efect al aspirației.

În cazul unei aplicații cu instalare fixă, se recomandă montarea unei supape de închidere atât pe latura de aspirație, cât și pe cea de refulare. În acest fel linia poate fi închisă în amonte/în aval de pompă, închidere utilă în cazul intervențiilor de întreținere și curățare și atunci când pompa nu este folosită.

Pompa este prevăzută cu intrare rotative pentru a facilita instalarea. (3) și (4).

În cazul conductelor flexibile, dacă este necesar folosiți un cot fig.1 și setul de grădănit compus din conducte din PE și seturi de racorduri cu tub, care nu sunt furnizate ci trebuie achiziționate separat.

În prezența murdăriei de mici dimensiuni se recomandă folosirea, pe lângă filtrul încorporat (1), și a unui filtru la intrarea pompei, montat pe conducta de aspirație.

- Nu supuneți motorul unui număr prea mare de porniri/oră; se recomandă să nu se depășească 20 de porniri/oră.



**Diametrul conductei de aspirație trebuie să fie mai mare sau egal cu diametrul gurii electropompei, a se vedea Tabelul 3.**

## 7. BRANȘAMENT ELECTRONIC



Asigurați-vă ca tensiunea din rețea să corespundă cu cea de pe tablita motorului de alimentare și ca este posibilă EFECTUAREA UNEI BUNE IMPAMANTARI. **Respectați indicațiile de pe plăcuța cu date tehnice și din tabelul 3 din acest manual.**

**Lungimea cablului de alimentare al pompei limitează distanța de montare; dacă este necesar un prelungitor asigurați-vă că este de același tip (de ex. H05 RN-F sau H07 RN-F, în funcție de instalație) a se vedea tab.3.**

## 8. PORNIRE



Nu porniți pompa înainte de a o fi umplut complet cu lichid, aprox. 4 litri.

În cazul în care apa se termină scoateți imediat cablul de alimentare din priză, oprind pompa. Evitați funcționarea uscată.

1. Înainte de pornire verificați dacă pompa a fost amorsată corect, respectiv dacă a fost umplută complet, cu apă curată, prin orificiul corespunzător, după scoaterea bușonului de alimentare al filtrului transparent (1) în mod manual sau folosind scula furnizată. Aceasta operație este esențială pentru perfectă funcționare a pompei și indispensabilă pentru ca simeringurile să fie lubrifiate. **Funcționarea în gol provoacă degradarea simeringurilor.**
2. Bușonul de alimentare trebuie să fie apoi înșurubat bine până la punctul de oprire (1).
3. Conectați cablul de alimentare la o priză de curent de 230 V **Atenție!** Motorul pompei va porni imediat și apa va începe să iasă după cel mult 3 minute, în funcție de adâncimea nivelului apei în puț sau cisternă..

4. La atingerea presiunii maxime pompa se oprește automat. Dacă, folosind apă, presiunea coboară sub valoarea minimă, pompa va porni automat. A se vedea Tab.3.
5. Pentru a opri definitiv pompa scoateți cablul de alimentare din priză.



Dacă apar probleme la amorsare, repetați manevrele până când tot aerul din conducta de aspirație este eliminat.

## 9. PRECAUȚII

**PERICOL DE ÎNGHEȚ:** când pompa rămâne nefolosită la temperaturi mai mici de 0°C, trebuie să vă asigurați că nu există resturi de apă care, înghețând, ar putea determina fisurarea pieselor din plastic.

Dacă a fost folosită cu substanțe care tind să se depoziteze sau cu apă clorurată, după folosire clătiți pompa cu un jet puternic de apă pentru a evita formarea depunerilor sau depozitelor care ar afecta performanțele acesteia.

## 10. INTREȚINERE ȘI CURĂȚIRE

Dacă electropompa funcționează normal nu necesită nici un tip de întreținere. În orice caz toate intervențiile de reparare și întreținere trebuie efectuate doar după ce s-a dezlegat pompa de la rețeaua de alimentare. Când reporniți pompa, asigurați-vă că a fost montată conform tuturor regulilor, pentru a nu reprezenta un pericol pentru obiecte și persoane.

### 10.1 Pulizia del filtro di aspirazione

(Fig.3)

- Dezactivați alimentarea electrică a pompei.
- Purjați pompa deschizând bușonul de evacuare (6), după ce înainte ați închis clapetele din amonte (dacă există).
- Deșurubați capacul filtrului, manual sau folosind accesoriul din dotare Estrarre dall'alto l'unità di filtro.
- Scoateți unitatea filtrului prin partea superioară.
- Clătiți paharul filtrului cu apă curentă și curățați filtrul cu o perie.
- Montați la loc filtrul, executând în ordine inversă operațiile de mai sus.

### 10.2 Curățarea NRV

(Fig.4)

- Dezactivați alimentarea electrică a pompei.
- Scoateți bușonul NRV (5) folosind accesoriul din dotare.
- Scoateți supapa de reținere NRV și curățați murdăria fig.9.
- Montați piesele, executând în ordine inversă procedura de demontare.

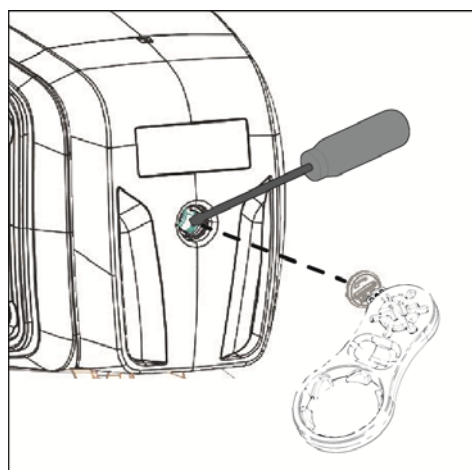
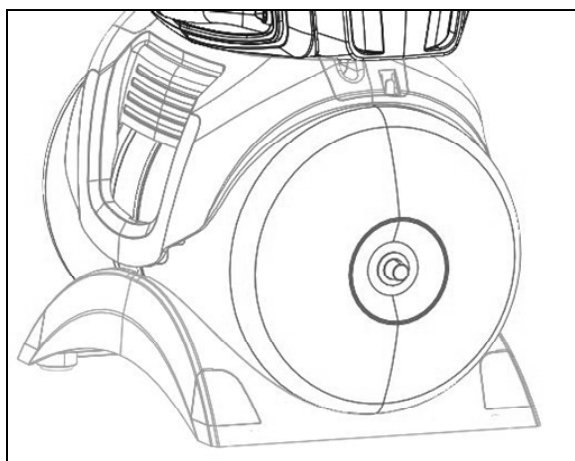
## 11. REZOLVAREA PROBLEMELOR



Înainte de a începe rezolvarea problemelor trebuie să deconectați alimentarea electrică a pompei (scoateți cablul din priză). În cazul în care cablul de alimentare sau orice componentă electrică a pompei este deteriorată, reparația sau înlocuirea trebuie efectuate de Producător sau de serviciul său de asistență tehnică sau de o persoană cu calificare echivalentă, pentru a preveni orice risc.

DEFECTIUNI	VERIFICARI (cauze)	REMEDII
1. Motorul nu porneste si nu face zgomot.	A. Verificati conexiunile electrice. B. Verificati ca motorul sa fie sub tensiune. C. Verificati sigurantele de protectie. D. Posibilă declanșare a dispozitivului de protecție termică.	C. Daca sunt arse, inlocuiti-le. D. Așteptați aprox. 20 min pentru ca motorul să se răcească. Verificați cauza care a determinat declanșarea și eliminați-o. Daca se ard la intervale scurte, motorul are un scurt-circuit.
2. Motorul nu porneste dar face zgomot.	A. Verificati ca tensiunea din retea sa corespunda cu cea de pe tablita. B. Cautati cauzele posibile de blocare. C. Asigurați-vă că arborele nu este blocat. D. Verificati starea condensatorului.	B. Inlaturati blocajele. C. Folosiți scula furnizată pentru a deșuruba capacul și deblocați arborele cu o șurubelniță. D. Inlocuiti condensatorul.
3. Rotorul se roteste cu dificultate.	A. Verificati ca tensiunea de alimentare sa fie suficienta. B. Verificati frecarea intre partile mobile si fixe ale pompei.	B. Procedati la eliminarea cauzei frecarilor.
4. Pompa nu furnizeaza apa.	A. Pompa nu a fost amorsata corect. B. Teava de aspiratie cu diametru insuficient. C. Supapa de reținere NRV sau filtrul înfundate.	A. Umpleți pompa cu apă și amorsați-o, având grijă să evacuați aerul deșurubând bușonul de aerisire. B. Inlocuiti teava cu una cu diametru mai mare. C. Curățați filtrul și, dacă nu este suficient, și NRV.
5. Pompa nu se amorseaza.	A. Se aspiră aer prin conducta de aspirație. B. Contrapanta tevii de aspirare favorizeaza formarea unor acumulari de aer.	A. Eliminați fenomenul, verificând etanșarea racordurilor și conducta de aspirație, apoi repetați operația de amorsare. B. Corectati inclinarea tevii de aspirare.

DEFECTIUNI	VERIFICARI (cauze)	REMEDII
6. Debitul este insuficient.	A. Conducta de aspirație este înfundată. B. Rotorul este uzat sau blocat.. C. Tubul de aspirare are diametrul insuficient.	A. Curățați conducta de aspirație. B. Îndepărtați blocajele sau înlocuiți piesele uzate. C. Înlocuiți tubulatura cu una de diametru mai mare
7. Pompa pornește și se oprește prea des.	A. Membrana vasului de expansiune este deteriorată. B. Presiunea din vasul de expansiune este prea joasă.	A. Solicitați înlocuirea membranei de către serviciul tehnic autorizat. B. Încărcați vasul de expansiune până la 1.6 +0.2 bar. A se vedea Tab.3.
8. Pompa vibrează și are o funcționare zgomotoasă.	A. Verificați ca pompa și tubulatura să fie bine fixate. B. Există cavitate în pompa, respectiv cererea de apă depășește capacitatea pompei. C. Pompa funcționează în alți parametri decât cei indicați.	A. Fixați cu mare grijă părțile desfacute. B. Reduceți înălțimea de aspirație sau controlați pierderile de sarcină. C. Poate fi utilă limitarea debitului de livrare.



#### UMPLEREA CU AER A VASULUI DE EXPANSIUNE

Presiunea din vasul de expansiune trebuie să fie aprox. 1.6 +0.2 bar. Vasul este preîncărcat din fabrică, prin urmare la prima pornire nu este necesară efectuarea niciunei operațiuni.

Pentru umplerea cu aer este necesară o pompă de aer sau un dispozitiv de umflare a anvelopelor cu indicator de presiune (manometru).

1. Deșurubați capacul de protecție
2. Conectați pompa de aer sau dispozitivul de umflare a anvelopelor la supapa vasului de expansiune, pompați aer până când manometrul indică aprox. 1.6 +0.2 bar.
3. Înșurubați la loc capacul de protecție.

#### 12. GARANȚIA



**Orice modificare neautorizată preventiv, eliberează producătorul de orice responsabilitate. Toate piesele de schimb utilizate pentru reparări trebuie să fie originale și toate accesoriile trebuie să fie autorizate de producător, pentru a putea garanta maximă siguranță a aparatelor și instalațiilor pe care acestea pot fi montate.**

Acest produs este acoperit de garanția legală (în Comunitatea Europeană 24 de luni de la data cumpărării) pentru toate defectele cauzate de vicii de fabricație sau ale materialelor folosite.

Pe durata garanției produsul va putea, la discreție, să fie înlocuit cu unul în stare perfectă de funcționare sau să fie reparat gratuit, dacă sunt respectate următoarele condiții:

- produsul a fost folosit în mod corespunzător și în conformitate cu instrucțiunile și nu s-a încercat repararea de către cumpărător sau terțe părți.
- produsul a fost restituit la punctul de vânzare de unde a fost cumpărat, anexând documentul care demonstrează cumpărarea (factura sau bonul fiscal) și o scurtă descriere a problemei întâlnite.

Rotorul și piesele supuse uzurii nu sunt acoperite de garanție. Intervențiile efectuate în timpul garanției nu prelungesc, în niciun caz, perioada inițială.

## СОДЕРЖАНИЕ

1. СФЕРЫ ПРИМЕНЕНИЯ.....	107
2. ПЕРЕКАЧИВАЕМЫЕ ЖИДКОСТИ.....	107
3. ТЕХНИЧЕСКИЕ ДАННЫЕ И ОГРАНИЧЕНИЯ В ЭКСПЛУАТАЦИИ .....	108
4. ЭКСПЛУАТАЦИЯ.....	108
4.1 Складирование .....	108
4.2 Транспортировка .....	108
4.3 Вес и размеры .....	108
5. ПРЕДУПРЕЖДЕНИЯ .....	108
6. МОНТАЖ .....	109
7. ЭЛЕКТРИЧЕСКОЕ ПОДКЛЮЧЕНИЕ .....	109
8. ЗАПУСК .....	109
9. ПРЕДОСТОРОЖНОСТИ .....	110
10. ТЕХНИЧЕСКОЕ ОБСЛУЖИВАНИЕ И ЧИСТКА.....	110
10.1 Очистка фильтра всасывания .....	110
10.2 Чистка NRV.....	110
11. ПОИСК НЕИСПРАВНОСТЕЙ .....	110
НАПОЛНИТЕ ВОЗДУХОМ РАСШИРИТЕЛЬНЫЙ БАК .....	111
12. ГАРАНТИЯ .....	112

### ПРЕДУПРЕЖДЕНИЯ



Перед монтажом устройства внимательно прочитайте данную документацию.



Перед любой операцией отключите вилку. Категорически избегайте работы насоса без воды.



Предохранить насос от влияния погодных условий.



Защита от перегрузок. Насос оборудован температурным защитным устройством. При перегреве двигателя защитное устройство автоматически выключает насос. Время охлаждения составляет около 15-20 мин., по истечении которых насос автоматически включается. После срабатывания защитного устройства необходимо найти причину, приведшую к срабатыванию, и устранить ее. Смотри «Поиск неисправностей».

### 1. СФЕРЫ ПРИМЕНЕНИЯ

Центробежные струйные самозаливающиеся насосы с хорошей всасывающей способностью также при наличии газа в воде. Особенно хорошо подходит для подачи воды и нагнетания давления в бытовые установки. Подходит для небольшой фермы или садоводства, бытовых аварийных ситуаций и бытового применения в целом. Благодаря компактной конструкции и маневренности эти насосы находят свое применение в качестве переносных насосов для аварийных ситуаций, откачивания воды из резервуаров или рек.



Эти насосы нельзя использовать в бассейнах, прудах, водоемах в присутствии людей или для обработки углеводородов (бензин, дизель, горючие масла, растворители и т.п.) согласно нормативам против несчастных случаев, действующим в этой области. Перед помещением на хранение следует очистить насос. См. главу «Техобслуживание и очистка»

### 2. ПЕРЕКАЧИВАЕМЫЕ ЖИДКОСТИ

Чистая, без твердых или абразивных частиц, неагрессивная.

Чистая вода	•
Дождевая вода (Отфильтрованная)	•
Светлые сточные воды	○
Грязная вода	○
Вода из фонтанов (Отфильтрованная)	•
Речная или озерная вода (Отфильтрованная)	•
Питьевая вода	•

Таблица 1

- Подходит
- Не подходит

**3. ТЕХНИЧЕСКИЕ ДАННЫЕ И ОГРАНИЧЕНИЯ В ЭКСПЛУАТАЦИИ**

- **Напряжение электропитания: 230В**, см. паспортную табличку
- **Плавкие предохранители с задержкой (версия 230В)**: приблизительные значения (Ампер)
- **Температура складирования: -10°C +40°C**

Модель	Сетевые предохранители 230В 50Гц
P1= 850 W	4
P1= 1.100 W	6

Таблица 2

	Модель	P1=850W	P1=1100W
Электрические характеристики	P1 Номинальная потребляемая мощность [Вт]	850	1100
	P2 [W]	600	750
	Напряжение в сети [В]	1 ~ 220-240 AC	
	Частота сети [Гц]	50	
	Ток [А]	3.88	4.58
	Конденсатор [µF]	12.5	16
	Конденсатор [Vc]	450	
Гидравлические характеристики	Максимальный расход [л/мин]	3.180	3.750
	Макс. высота напора [м]	43	45
	Макс. высота напора [бар]	4.3	4.5
	Макс. давление [бар]	6	
	Макс. глубина всасывания [м/мин]	8 м / < 3min	
	Давление включения [бар]	1.8	
	Давление выключения [бар]	3.2	
	Индикатор давления	Манометр	Манометр
Рабочий диапазон	Длина Кабель питания [м]	1.5	
	Тип кабеля	H07 RNF	
	Степень защиты двигателя	IP X4	
	Класс изоляции	F	
	Диапазон температуры жидкости [°C] согласно EN 60335-2-41 для бытового использования	0 °C / +35 °C	
	Макс.размеры частиц	чистая вода	
	Макс. Температура в помещении [°C]	+40 °C	
Вес	DNM GAS	1" M	
	Вес нетто/брутто прим. [кг]	14/16.6	14.8/17.4

Таблица 3



**Насос не может выдерживать вес труб, которые должны поддерживаться иначе.**

**4. ЭКСПЛУАТАЦИЯ**

**4.1 Складирование**

Все насосы должны складироваться в крытом, сухом помещении, по возможности с постоянной влажностью воздуха, без вибраций и пыли. Насосы поставляются в их заводской оригинальной упаковке, в которой они должны оставаться вплоть до момента их монтажа.

**4.2 Транспортировка**

Предохраните изделия от лишних ударов и толчков.

**4.3 Вес и размеры**

Наклейка на упаковке указывает общий вес электронасоса и его размеры.

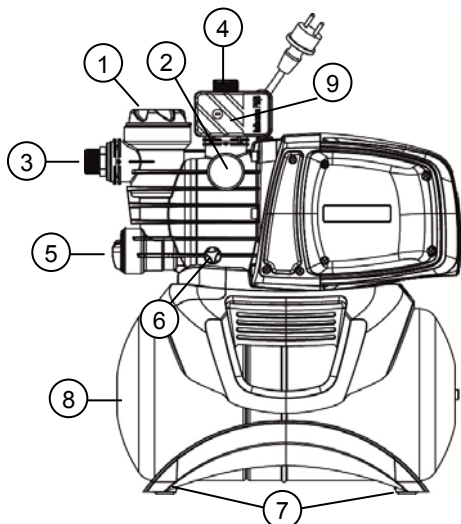
**5. ПРЕДУПРЕЖДЕНИЯ**



**Насосы никогда не должны перевозиться, подниматься или включаться в подвешенном состоянии, используя кабель питания, используйте специальную ручку.**

- Насос никогда не должен работать всухую.

## 6. МОНТАЖ



- 1 Предварительный фильтр
- 2 Манометр
- 3 Ориентируемое соединение всасывания
- 4 Соединение подачи
- 5 Встроенный невозвратный клапан
- 6 Пробка слива
- 7 Резиновые виброгасящие ножки
- 8 Резервуар 18 л.
- 9 Расходомер

Электронасос должен устанавливаться в месте, защищенном от непогоды и температурой окружающей среды не выше 40°C.

Насос оборудован виброгасящими опорами, но в случае непереносной установки можно снять их и предусмотреть крепление к опорному основанию (7).

Избегайте передачи избыточного усилия от труб к устьям насоса (3) и (4), чтобы не создавать деформаций или поломок.

**Неизменно хорошо правилом является устанавливать насос как можно ближе к перекачиваемой жидкости.**

Насос должен быть установлен исключительно в горизонтальном положении.

Трубы никогда не должны иметь внутренний диаметр меньше, чем устья электронасоса и всасывания насоса, насос оборудован фильтром (1) и невозвратным клапаном (NRV) (5).

Для глубины всасывания, превышающей четыре метра, или при наличии длинных горизонтальных отрезков рекомендуется использовать трубу всасывания с диаметром, большим диаметра всасывающего отверстия электронасоса. Во избежание образования воздушных мешков во всасывающем трубопроводе предусмотреть небольшой подъем всасывающей трубы в сторону насоса. Рис.2

Если труба всасывания выполнена из резины или гибкого материала, всегда проверяйте, что она укрепленного типа, выдерживающего вакуум, чтобы избежать сужений при всасывании.

В случае непереносной установки рекомендуется монтировать клапан закрытия как на стороне всасывания, так и на напорной стороне. Это позволяет закрывать линию перед насосом или после него, что требуется при проведении техобслуживания и очистки или в случае неиспользования насоса в течение определенного периода. Насос оснащен вращающимся входом для облегчения установки. (3) и (4).

В случае шлангов, если необходимо, использовать колено рис.1 и комплект садоводства состоит из шлангов ПЭ и комплект с наконечником не поставляется, их нужно покупать отдельно.

В присутствии загрязнений небольших размеров, рекомендуется использовать, помимо интегрированного фильтра (1), входной фильтр насоса, монтированный на шланг всасывания.

- Не подвергайте двигатель избыточному количеству запусков/часов, рекомендуется не превышать 20 запусков в час.



**Диаметр трубы всасывания должен быть больше или равным, чем диаметр устья электронасоса, см. Таблицу 3.**

## 7. ЭЛЕКТРИЧЕСКОЕ ПОДКЛЮЧЕНИЕ



Проверить, чтобы напряжение сети электропитания соответствовало напряжению, указанному на заводской табличке двигателя, и чтобы было возможно ПРОИЗВЕСТИ НАДЛЕЖАЩЕЕ СОЕДИНЕНИЕ ЗАЗЕМЛЕНИЯ. **Выполняйте указания, приведенные на технической табличке и в руководстве в таблице 3.**

**Длина кабеля питания, установленного на насосе, ограничивает расстояние монтажа, в случае необходимости удлинителя убедитесь, что он одного типа (например, H05 RN-F или H07 RN-F в зависимости от монтажа) см. таб.3.**

## 8. ЗАПУСК



Не включайте насос не заполнив его полностью жидкостью, около 4 литров.

Если истощится гидравлический ресурс, немедленно отсоедините вилку, выключив насос. Предотвращайте работу без воды.

1. Перед началом пуска проверьте, что насос полностью заправлен водой, обеспечивая его полное заполнение чистой водой, через специальное отверстие, после снятия крышки заправки прозрачного фильтра (1), руками или при помощи подходящего инструмента в комплекте. Данная операция является чрезвычайно важной для хорошего функционирования насоса. Важно также, чтобы механическое уплотнение было хорошо смазано.

**Функционирование сухой ведет к непоправимым повреждениям механического уплотнения.**

2. Пробку заправки следует вновь закрутить на место до остановки (1).



3. Вставить вилку кабеля питания в розетку питания 230 В. **Внимание!** Двигатель насоса немедленно заработает, вода начнет выходить спустя максимум 3 минуты, что зависит от глубины уровня воды в колодце или цистерне.
4. После достижения максимального давления насос выключается автоматически. Если при использовании воды давление спускается ниже минимального давления, насос автоматически включается. См. Таб.3.
5. Для окончательного отключения насоса отсоедините вилку кабеля питания.



При наличии проблем с наполнением, повторите операцию, пока воздух на всасывании не будет удален.

## 9. ПРЕДОСТОРОЖНОСТИ

**ОПАСНОСТЬ ЗАМЕРЗАНИЯ:** когда насос остается не включенным при температуре ниже 0°C, необходимо убедиться, что в нем нет остатков воды, которые при замерзании могут привести к трещинам пластиковых частей.

Если насос использовался с веществами, которые имеют тенденцию к отложению или с хлорированной водой, ополосните его после использования сильной струей воды, чтобы избежать формирования осадка или отложений, которые снижают эксплуатационные характеристики насоса.

## 10. ТЕХНИЧЕСКОЕ ОБСЛУЖИВАНИЕ И ЧИСТКА

В нормальном рабочем режиме электронасос не нуждается в каком-либо техническом обслуживании. В любом случае все работы по ремонту и техническому обслуживанию должны осуществляться после отсоединения насоса от сети электропитания. Quando si fa ripartire la pompa, assicurarsi che sia stata rimontata a regola d'arte, per non creare pericolo a cose e persone.

### 10.1 Очистка фильтра всасывания

(Схема 3)

- Обесточить насос.
- Слить воду, открыв пробку слива (6), закрыв предварительно заслонки перед ним (если имеются).
- Отвинтите крышку камеры фильтра, руками или специальным инструментом в комплекте.
- Выньте через верх блок насоса.
- Ополосните стакан под струей воды и очистите фильтр при помощи мягкой щетки.
- Вновь соберите фильтр, выполнив операции в обратной последовательности.

### 10.2 Чистка NRV

(Схема 4)

- Обесточить насос.
- Снимите пробку NRV (5) при помощи принадлежности в комплекте.
- Снимите стопорный клапан NRV и очистите его от загрязнения рис.9.
- Соберите части методом обратной сборки, в обратной последовательности.

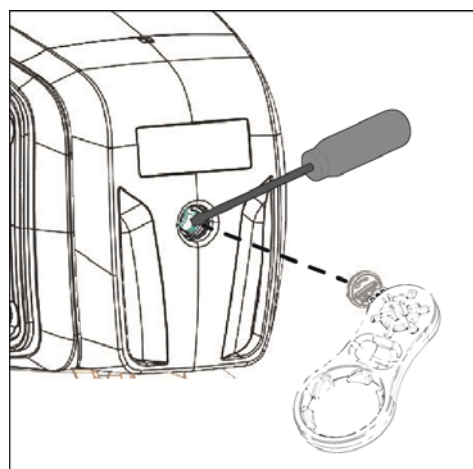
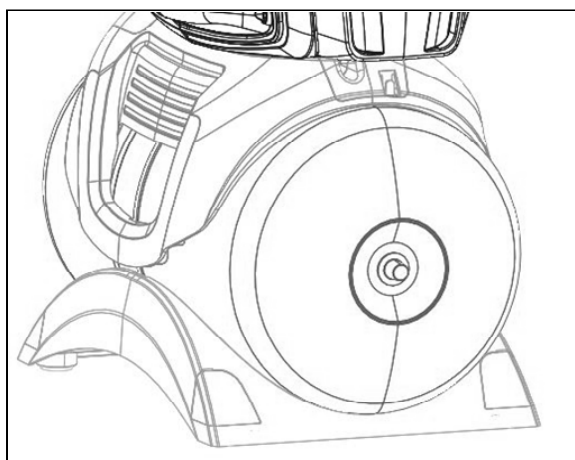
## 11. ПОИСК НЕИСПРАВНОСТЕЙ



Перед тем, как начинать поиск неисправностей, необходимо отсоединить электрическое питание от насоса (вынуть вилку из розетки). Если кабель питания или любая электрическая часть насоса повреждены, операция по замене или ремонту должна выполняться производителем или его службой техсервиса или квалифицированным человеком, чтобы избежать возможных опасностей.

НЕИСПРАВНОСТИ	ПРОВЕРКИ (возможные причины)	МЕТОДЫ УСТРАНЕНИЯ
1. Двигатель не запускается и не издает звуков.	А. Проверить электрические соединения. В. Проверить, чтобы двигатель был под напряжением. С. Проверить плавкие предохранители. D. Возможное срабатывание термозащиты	С. Если они сгорели, заменить их. D. Подождите 20 минут охлаждения двигателя. Проверить и устранить причину, которая привела к срабатыванию. <b>Примечание:</b> если неисправность сразу же повторяется, это означает короткое замыкание двигателя.
2. Двигатель не запускается, но издает звуки.	А. Проверить, чтобы напряжение в сети соответствовало значению на заводской табличке. В. Произвести поиск возможных засоров насоса или двигателя. С. Проверить, чтобы вал не был заблокирован. D. Проверить состояние конденсатора.	В. Удалить засоры. С. Используйте инструмент в комплекте для отвинчивания крышки и отверткой разблокируйте вал. D. Заменить конденсатор.
3. Затруднительное вращение двигателя..	А. Проверить, чтобы напряжение электропитания было достаточным. В. Проверить возможные трения между подвижными и фиксированными деталями.	В. Устранить причины трения..

НЕИСПРАВНОСТИ	ПРОВЕРКИ (возможные причины)	МЕТОДЫ УСТРАНЕНИЯ
4. Насос не производит подачу.	<p>A. Насос был залит неправильно.</p> <p>B. Недостаточный диаметр всасывающей трубы.</p> <p>C. Невозвратный клапан NRV или фильтр засорены.</p>	<p>A. Наполните насос водой, залейте его, соблюдая осторожность, чтобы выпустить воздух, отвинтив пробку спуска.</p> <p>B. Заменить трубу на другую с большим диаметром.</p> <p>C. Очистите фильтр и, если этого недостаточно, NRV.</p>
5. Насос не заливается.	<p>A. Невозвратный клапан NRV или фильтр засорены.</p> <p>B. Отрицательный уклон всасывающей трубы способствует образованию воздушных мешков.</p>	<p>A. Устраните это явление, проверив прокладку соединений и трубу всасывания, повторите операцию заливания насоса.</p> <p>B. Исправить наклон всасывающей трубы.</p>
6. Насос не обеспечивает необходимый расход.	<p>A. Труба всасывания засорена.</p> <p>B. Крыльчатка износилась или засорена.</p> <p>C. Недостаточный диаметр всасывающей трубы.</p>	<p>A. Очистите трубу всасывания.</p> <p>B. Удалить засоры или заменить изношенные детали..</p> <p>C. Заменить трубу на другую с большим диаметром.</p>
7. Насос включается и выключается слишком часто.	<p>A. Мембрана расширительного бака повреждена.</p> <p>B. Давление расширительного бака слишком низкое.</p>	<p>A. Замените мембрану при помощи уполномоченной службы техсрвиса.</p> <p>B. Загрузите расширительный бак до давления 1.6 +/-0.2 бар. См. Таб.3.</p>
8. Насос вибрирует и издает сильный шум.	<p>A. Проверить, чтобы насос и трубы были прочно закреплены.</p> <p>B. Кавитация насоса, т.е. потребность в воде превышает возможности насоса.</p> <p>C. Насос функционирует с превышением значений заводской таблички.</p>	<p>A. Более тщательно закрепить ослабленные части.</p> <p>B. Сократить высоту всасывания или проверить потерю нагрузки.</p> <p>C. Может потребоваться ограничить расход на подаче.</p>



#### НАПОЛНИТЕ ВОЗДУХОМ РАСШИРИТЕЛЬНЫЙ БАК

Давление расширительного бака должно составлять около 1.6 +/-0.2 бар. На заводе производится предварительная зарядка, поэтому при первом запуске не требуется выполнять операцию.

Для заполнения воздухом необходимо иметь воздушный насос или устройство для накачивания шин с индикатором давления (манометр).

1. Отвинтите защитную крышку
2. Присоедините воздушный насос или устройство для надувания шин к клапану расширительного бака, накачивайте воздух до тех пор, пока манометр не укажет около 1.6 +/-0.2 бар.
3. Привинтите защитную крышку.

## 12. ГАРАНТИЯ



Любое ранее неуполномоченное изменение снимает с производителя всякую ответственность. Все запасные части, используемые при техническом обслуживании, должны быть оригинальными, и все вспомогательные принадлежности должны быть утверждены производителем для обеспечения максимальной безопасности персонала, оборудования и установки, на которую они устанавливаются.

Это изделие имеет гарантию (в Европейском Сообществе сроком на 24 месяца с даты покупки) на все дефекты, связанные с изготовлением или используемым материалом.

Изделие по гарантии может быть заменено на другое в рабочем состоянии или бесплатно отремонтировано при соблюдении следующих условий:

- изделие использовалось правильно и в соответствии с инструкциями, не производились попытки отремонтировать его самим покупателем или третьими лицами.
- изделие было передано в магазин, прилагая к нему документ, удостоверяющий покупку (счет или чек), и краткое описание встреченной проблемы.

Крыльчатка и части, подверженные износу, не входят в действие гарантии. Гарантийное обслуживание ни при каких обстоятельствах не продлевает действия гарантии.

## OBSAH

1. APLIKÁCIE .....	113
2. ČERPATEĽNÉ KVAPALINY .....	113
3. TECHNICKÉ ÚDAJE A OBMEDZENIA PRI POUŽÍVANÍ.....	114
4. MANIPULÁCIA.....	114
4.1 Skladovanie.....	114
4.2 Prenášanie .....	114
4.3 Hmotnosť a rozmery.....	114
5. VAROVANIA .....	114
6. INŠTALÁCIA .....	115
7. ELEKTRICKÉ ZAPOJENIE .....	115
8. SPUSTENIE .....	115
9. OPATRENIA.....	116
10. ÚDRŽBA A ČISTENIE .....	116
10.1 Čistenie nasávacieho filtra .....	116
10.2 Čistenie spätného ventilu (NRV) .....	116
11. VYHĽADÁVANIE PORÚCH.....	116
NAPLNENIE EXPANZNEJ NÁDOBKY VZDUCHOM .....	117
12. ZÁRUKA.....	117

### VAROVANIA



Pred zahájením inštalácie si pozorne prečítajte kompletnú dokumentáciu.



Pred každým zásahom vytiahnite zástrčku zo zásuvky elektrickej siete. Nikdy neuvádzajte čerpadlo do chodu nasucho.



Chráňte čerpadlo pred poveternostnými vplyvmi.



Ochrana proti preťaženiu. Motor čerpadla je vybavený tepelnou poistkou. V prípade, že stúpajúcou záťažou motora dôjde k jeho prehriatiu, táto poistka automaticky vypne čerpadlo. Po vychladnutí motora, čo môže trvať približne 15 až 20 minút, čerpadlo sa opäť automaticky zapne. Vždy, keď dôjde k aktivácii tepelnej poistky, je nutné zistiť a odstrániť príčinu prehriatia motora. Vid' časť Vyhľadávanie porúch.

### 1. APLIKÁCIE

Odstredivé čerpadlá so samozaliatím prúdom vody, s vynikajúcim nasávacími schopnosťami aj v prípade perlivej vody. Sú mimoriadne vhodné na zásobovanie vodou a tlakovanie obydľí na samotách. Sú vhodné pre malé poľnohospodárstva v záhradách a pre záhradníkov, pre núdzové stavy v domácnostiach a domácich majstrov vo všeobecnosti. Vďaka kompaktnému tvaru, ktorý umožňuje jednoduchú manipuláciu, nachádzajú tiež špeciálne uplatnenia ako prenosné čerpadlá pre núdzové prípady, ako je odber vody z nádrží alebo riek.



Tieto čerpadlá nesmú byť používané v bazénoch, rybníkoch, nádržiach pri prítomnosti osôb alebo na čerpanie uhľovodíkov (benzín, nafta, vykurovacích olejov, riedidiel atď.) v súlade s platnými protiúrazovými normami. Pred ich odložením odporúčame čerpadlo vyčistiť. Vid' kapitola „Údržba a Čistenie“.

### 2. ČERPATEĽNÉ KVAPALINY

Čistá, bez pevných alebo abrazívnych častíc, neagresívna.

Čerstvá voda	•
Dažďová voda (filtrovaná)	•
Povrchová odpadová voda	○
Splaškové vody	○
Voda z bazéna alebo fontány (filtrovaná)	•
Riečna alebo jazerná voda (filtrovaná)	•
Pitná voda	•

Tabuľka 1

- Vhodné
- Nevhodné

## 3. TECHNICKÉ ÚDAJE A OBMEDZENIA PRI POUŽÍVANÍ

- **Napájacie napätie: 230V**, pozri štítok s elektrickými údajmi
- **Poistky vedenia s oneskorením (verzia 230V)**: orientačné hodnoty (Ampér)
- **Teplota skladovania: -10°C +40°C**

Model	Poistky vedenia 230V 50Hz
P1= 850 W	4
P1= 1.100 W	6

Tabuľka 2

	Model	P1=850W	P1=1100W
Elektrické parametre	P1 Menovitý príkon [W]	850	1100
	P2 [W]	600	750
	Sieťové napätie [V]	1 ~ 220-240 AC	
	Sieťová frekvencia [Hz]	50	
	Prúd [A]	3.88	4.58
	Kondenzátor [µF]	12.5	16
	Kondenzátor [Vc]	450	
Vodné parametre	Max. prietok [l/h]	3.180	3.750
	Max. výtláčná výška [m]	43	45
	Max. dynamický tlak [bar]	4.3	4.5
	Max. tlak [bar]	6	
	Max. hĺbka nasávania [m/min]	8 m / < 3min	
	Zapínací tlak [bar]	1.8	
	Vypínací tlak [bar]	3.2	
	Indikátor tlaku	Tlakomer	Tlakomer
Prevádzkový rozsah	Dĺžka napájacieho kábla [m]	1.5	
	Typ kábla	H07 RNF	
	Trieda ochrany motora	IP X4	
	Trieda izolácie	F	
	Teplotný rozsah kvapaliny [°C] v súlade s EN 60335-2-41 pre používanie v domácnosti	0 °C / +35 °C	
	Max. rozmery častíc	čistá voda	
	Max. teplota prostredia [°C]	+40 °C	
Hmotnosť	Pripojovací rozmer	1" (vonkajší)	
	Čistá/hrubá hmotnosť pribl. [kg]	14/16.6	14.8/17.4

Tabuľka 3



Čerpadlo nemôže byť zaťažené hmotnosťou potrubia, ktoré musí byť uchytené iným spôsobom.

## 4. MANIPULÁCIA

## 4.1 Skladovanie

Všetky čerpadlá musia byť skladované na krytom a suchom mieste s podľa možnosti stálou vlhkosťou vzduchu, bez vibrácií a prachu. Dodávajú sa v originálnom obale, v ktorom musia zostať až do momentu inštalácie.

## 4.2 Prenášanie

Nevystavujte výrobky zbytočným nárazom a kolíziám.

## 4.3 Hmotnosť a rozmery

Na samolepiacom štítku, nalepenom na obale, je uvedená celková hmotnosť elektročerpadla a jeho rozmery.

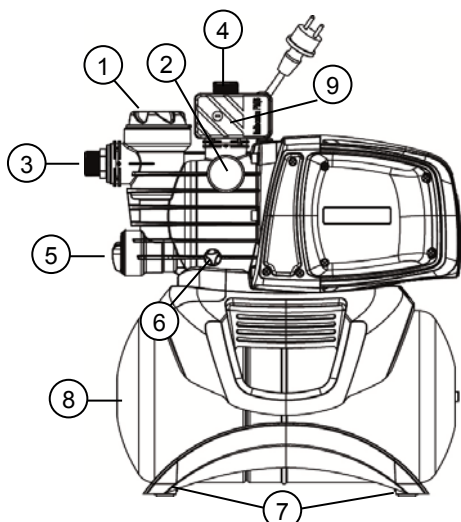
## 5. VAROVANIA



Čerpadlá nesmú byť nikdy prepravované, dvíhané alebo uvádzané do chodu tak, že budú zavesené za napájací kábel; pre tento účel používajte príslušnú rukoväť.

- Čerpadlo nesmie byť nikdy uvedené do chodu nasucho.

## 6. INŠTALÁCIA



- 1 Predfilter
- 2 Tlakomer
- 3 Nasávacie hrdlo
- 4 Výtlačné hrdlo
- 5 Integrovaný spätný ventil
- 6 Vypúšťací uzáver
- 7 Antivibračné gumové nožičky
- 8 Zásobník s kapacitou 18 l.
- 9 Prietokový spínač

Elektročerpadlo musí byť nainštalované na mieste chránenom pred poveternostnými vplyvmi, s teplotou neprevyšujúcou 40 °C.

Čerpadlo je vybavené antivibračnými nožičkami, ale v prípade pevnej inštalácie je možné ich odmontovať a ukotviť čerpadlo k opornému podkladu (7).

Zabráňte, aby potrubia nadmerne zaťažovali hrdlá čerpadla (3) a (4), aby nedochádzalo k deformáciám alebo zlomom.

**Je vhodné vždy umiestniť čerpadlo čo najbližšie ku kvapaline určenej na čerpanie.**

Čerpadlo musí byť nainštalované výhradne vo vodorovnej polohe.

Potrubie nesmie mať nikdy menší priemer ako je priemer nasávacieho hrdla čerpadla. Čerpadlo je vybavené filtrom (1) a spätným ventilom (NRV) (5).

V prípade hĺbky nasávania prevyšujúcej štyri metre alebo pri nasávaní s veľkými vodorovnými úsekmi sa odporúča použiť nasávaciu hadicu s väčším priemerom ako je nasávacie hrdlo čerpadla. Aby sa zabránilo vytváraní vzduchových vakov v nasávacej hadici, zabezpečte mierny kladný sklon nasávacej hadice smerom k čerpadlu. Obr.2

V prípade, keď je nasávacie potrubie z gumy alebo z pružného materiálu, vždy skontrolujte, či je zosilnené, odolné voči namáhaniu vákuom, aby sa zabránilo jeho zúženiu v dôsledku nasávania.

V prípade pevnej inštalácie sa odporúča namontovať uzatvárací ventil na strane nasávania i na strane výtlaku. To umožňuje uzavrieť okruh na vstupe a/alebo na výstupe čerpadla, čo je užitočné pri vykonávaní údržby a čistenia alebo v čase, keď sa čerpadlo nepoužíva.

Čerpadlo je vybavené otočným vstupom výstupmi kvôli uľahčeniu inštalácie. (3) a (4).

V prípade hadíc podľa potreby použite koleno znázornené na obr. 1 a súpravu pre záhradníčenie, tvorenú hadicou z vystuženého PE a súpravou spojok a nasávacím košom, ktoré sa nedodávajú s čerpadlom, ale je možné ich zakúpiť samostatne. Pri použití vo vode s prímiesou nečistôt malých rozmerov sa odporúča použiť okrem integrovaného filtra (1) filter na vstupe čerpadla, namontovaný na nasávacej hadici.

- Nevystavujte motor príliš veľkému počtu spustení/hodinu. Odporúča sa neprekročiť 20 spustení/hodinu.



**Priemer nasávacej hadice musí byť väčší alebo rovnaký ako je priemer hrdla elektročerpadla - viď Tabuľka 3.**

## 7. ELEKTRICKÉ ZAPOJENIE



Uistite sa, že napätie dostupnej elektrickej siete odpovedá menovitému napätiu motora, ktorý má byť napájaný, a že rozvod je riadne uzemnený. **Dodržiavajte údaje uvedené na štítku s technickými parametrami a v tabuľke 3 tohto návodu.**

**Dĺžka napájacieho kábla, ktorý je súčasťou čerpadla, obmedzuje inštalačnú vzdialenosť. Keď potrebujete predĺžovací kábel, uistite sa, že je rovnakého typu (napr. H05 RN-F alebo H07 RN-F, v závislosti na konkrétnej inštalácii) - viď tab.3.**

## 8. SPUSTENIE



Neuvádzajte čerpadlo do chodu skôr, ako ho úplne naplníte kvapalinou, približne 4 litrami.

V prípade, že vyčerpáte vodu zo zdroja, okamžite vypnite čerpadlo vytiahnutím zástrčky zo zásuvky elektrickej siete. Zabráňte činnosti nasucho.

1. Pred uvedením čerpadla do chodu skontrolujte, či je riadne zaliate a zaistíte jeho úplné naplnenie čistou vodou cez príslušný otvor, po odskrutkovaní plniaceho uzáveru priesvitného filtra (1) rukami alebo príslušným nástrojom, dodaným v rámci výbavy. Tento úkon je mimoriadne dôležitý pre dokonalú činnosť čerpadla, pričom je nevyhnutné, aby bolo mechanické tesnenie riadne namazané. **Činnosť nasucho spôsobuje neopraviteľné škody na mechanickom tesnení.**
2. Potom je potrebné dôkladne zaskrutkovať plniaci uzáver, až po doraz (1).
3. Zasuňte zástrčku napájacieho kábla do zásuvky elektrickej siete s napätím 230 V. **Upozornenie!** K spusteniu motora čerpadla dôjde okamžite a voda začne vytekať po uplynutí maximálne 3 minút, v závislosti na hĺbke hladiny vody v studni alebo v nádrži.

4. Po dosiahnutí maximálneho tlaku dôjde automaticky k vypnutiu čerpadla. Keď pri použití vody tlak klesne pod minimálnu hodnotu, dôjde automaticky k opätovnému zapnutiu čerpadla (viď tab. 3).
5. Pre definitívne vypnutie čerpadla odpojte zástrčku napájacieho kábla zo zásuvky elektrickej siete.



V prípade problémov s infiltráciami zopakujte uvedený postup, dokiaľ všetok vzduch z nasávania neunikne.

## 9. OPATRENIA

**NEBEZPEČENSTVO ZAMRZNUTIA:** Keď čerpadlo zostane vypnuté pri teplote nižšej ako 0 °C, je potrebné sa uistiť, že sa v ňom nenachádzajú zvyšky vody, ktoré by mohli pri zamrznutí zničiť plastové časti. Ak použijete čerpadlo na čerpanie látok, ktoré majú tendenciu vytvárať nánosy, alebo na čerpanie chlóranej vody, po použití ho opláchnite silným prúdom vody tak, aby sa zabránilo vytváraniu nánosov alebo usadenín, ktoré by mohli znížiť výkon čerpadla.

## 10. ÚDRŽBA A ČISTENIE

Elektrické čerpadlo si pri normálnej činnosti nevyžaduje žiaden typ údržby. V každom prípade akékoľvek zásahy opravy a údržby musia byť uskutočnené len po odpojení čerpadla z napájacej siete. Pri opätovnom uvedení čerpadla do chodu sa uistite, že bolo spätne zmontované určeným spôsobom, aby nedochádzalo k ohrozeniu osôb.

### 10.1 Čistenie nasávacieho filtra

(Obrázok 3)

- Odpojte elektrické napájanie čerpadla.
- Vykonajte odvodnenie čerpadla otvorením vypúšťacieho uzáveru (6), a potom čo najskôr zatvorte ručné ventily na vstupe (ak sú súčasťou).
- Rukami alebo príslušným náradím z výbavy odskrutkujte veko komory filtra.
- Zhora vyberte jednotku filtra.
- Opláchnite nádobku pod tečúcou vodou a vyčistite filter jemnou kefou.
- Namontujte filter späť, pričom postupujte rovnako, ale v opačnom poradí.

### 10.2 Čistenie spätného ventilu (NRV)

(Obrázok 4)

- Odpojte elektrické napájanie čerpadla.
- Odmontujte uzáver NRV (5) pomocou príslušenstva dodaného v rámci výbavy.
- Zložte spätný ventil NRV a vyčistite ho od prípadných nečistôt - obr. 9.
- Vykonajte montáž jednotlivých súčastí, pričom postupujte rovnako ako pri demontáži, ale v opačnom poradí.

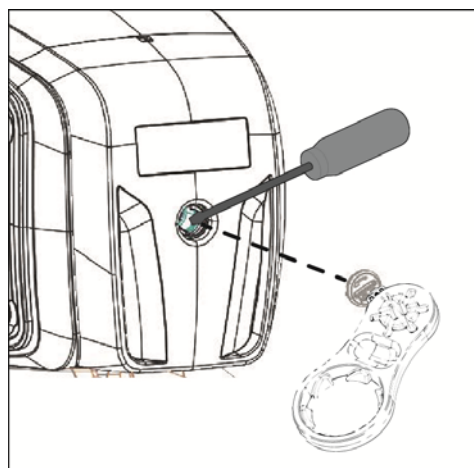
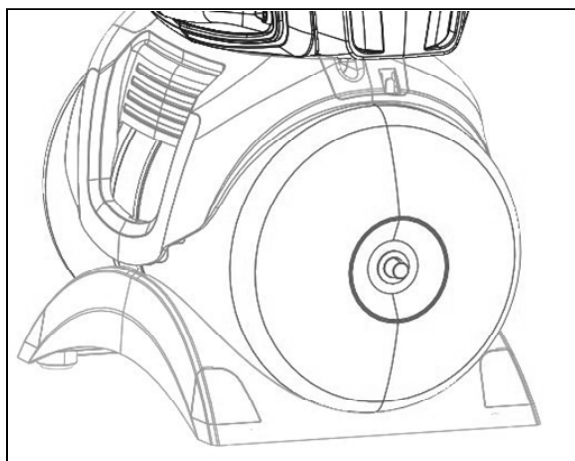
## 11. VYHLÁDÁVANIE PORÚCH



Pred vyhľadávaním porúch vždy odpojte prírodný kábel od elektrickej siete (vytiahnite vidlicu prírodného kábla zo zásuvky). Ak zistíte nejaké poškodenie čerpadla alebo prírodného kábla, obráťte sa s opravou na výrobcu alebo na jeho autorizovaný servis alebo osobu s rovnakou kvalifikáciou, aby bolo zamedzené akémukoľvek nebezpečenstvu.

RIEŠENIE PROBLÉMOV	KONTROLY (možné príčiny)	RIEŠENIA
1. Nedochádza k uvedeniu motora do chodu a motor nevydáva žiadny zvuk.	A. Motor čerpadla nie je pod napätím. B. Motor čerpadla nie je pod napätím. C. Skontrolujte ochranné poistky. D. Možný zásah tepelnej ochrany.	A. Skontrolujte elektrický prívod. B. Skontrolujte prírodný kábel k čerpadlu. C. Ak sú vadné poistky, nahraďte ich novými. D. Vyčkajte pribl. 20 min na ochladenie motora. Skontrolujte príčinu, ktorá ho spôsobila a odstráňte ju. <b>POZN.:</b> Prípadné bezprostredné opakovanie tejto poruchy poukazuje na skrat motora.
2. Nedochádza k uvedeniu motora do chodu, ale motor vydáva zvuky.	A. Nízke napájacie napätie. B. Skontrolujte, či čerpadlo alebo motor nie sú upchaté. C. Skontrolujte, či hriadeľ nie je zablokovaný. D. Skontrolujte stav kondenzátora.	A. Skontrolujte napájacie napätie. B. Odstráňte upchatia. C. S použitím nástroja z výbavy odskrutkujte veko a skrutkovačom odblokujte hriadeľ. D. Vymeňte kondenzátor.
3. Motor sa otáča s ťažkosťami.	A. Uistite sa, že napájacie napätie nie je nedostatočné. B. Skontrolujte možné odieranie medzi pohyblivými a pevnými časťami.	A. Skontrolujte napájacie napätie. B. Odstráňte príčiny odierania.
4. Čerpadlo nečerpá vodu.	A. Čerpadlo nie je správne zaliate. B. Nasávacia hadica má nedostatočný priemer. C. Je upchatý spätný ventil NRV alebo sú upchaté filtre.	A. Naplňte čerpadlo vodou, zalejte ho a skontrolujte, či uniká vzduch odskrutkovaním odvzdušňovacieho uzáveru. B. Vymeňte hadicu za inú, s väčším priemerom. C. Vyčistite filter a ak by to nestačilo, tak aj NRV.

RIEŠENIE PROBLÉMOV	KONTROLY (možné príčiny)	RIEŠENIA
5. Nedochádza k zaliatu čerpadla.	A. Nasávanie vzduchu prostredníctvom nasávacej hadice. B. Negatívny sklon nasávacej hadice podporuje vytváranie vzduchových vakov.	A. Odstráňte uvedený negatívny jav kontrolou tesnosti spojov a opakovaným zaliatím. B. Upravte sklon nasávacej hadice.
6. Čerpadlo čerpá s nedostatočným prietokom.	A. Nasávacia hadica je upchatá. B. Obežné koleso je opotrebované alebo upchaté. C. Nasávacie potrubie má nedostatočný priemer.	A. Vyčistite nasávaciu hadicu. B. Odstráňte upchatia alebo vymeňte poškodené súčiastky. C. Vymeňte potrubie za iné, s väčším priemerom.
7. Príliš často dochádza k zapnutiu a k vypnutiu čerpadla.	A. Je poškodená membrána expanznej nádoby. B. Tlak v expanznej nádobke je príliš nízky.	A. Nechajte vymeniť membránu autorizovanou servisnou službou. B. Natlakujte expanznú nádobku až na hodnotu 1,6 $\pm$ 0,2 barov (viď tab. 3).
8. Čerpadlo vibruje a je hlučné.	A. Skontrolujte, či čerpadlo aj potrubia sú riadne pripevnené. B. Dochádza ku kavitácii v čerpadle, t.j. požaduje sa viac vody, ako dokáže načerpať. C. Čerpadlo pracuje nad svoje menovité hodnoty.	A. Dôslednejšie pripevnite povolené časti. B. Znížte nasávaciu výšku alebo skontrolujte pokles tlaku. C. Môže byť užitočné obmedziť prietok na prítoku.



### NAPLNENIE EXPANZNEJ NÁDOBKY VZDUCHOM

Tlak v expanznej nádobke musí byť pribl. 1,6  $\pm$  0,2 baru. Vo výrobnom závode je vykonané predtlakovanie, a preto pri prvom uvedení do chodu nie je potrebné vykonávať žiadny úkon plnenia.

Pre naplnenie vzduchom je potrebné vzduchové čerpadlo alebo zariadenie pre hustenie pneumatík s indikátorom tlaku (tlakomer).

1. Odskrutkujte ochranné veko
2. Aplikujte vzduchové čerpadlo alebo zariadenie na hustenie pneumatík na ventil expanznej nádoby a načerpajte vzduch, dokiaľ tlakomer nebude ukazovať pribl. 1,6  $\pm$  0,2 barov.
3. Zaskrutkujte späť ochranné veko.

### 12. ZÁRUKA



**Každá úprava, ktorá nebola autorizovaná predom, zbavuje výrobcu zodpovednosti akéhokoľvek druhu. Všetky náhradné diely používané pri opravách musia byť originálne a všetko príslušenstvo musí byť autorizované výrobcom, aby sa mohla garantovať maximálna bezpečnosť strojov a zariadení, na ktorých môžu byť namontované.**

Na tento výrobok sa vzťahuje právna záruka (v Európskom spoločenstve na dobu 24 mesiacov od dátumu zakúpenia) na všetky výrobné chyby alebo na použitý materiál.

Výrobok v záruke bude možné, na základe nenapadnuteľného rozhodnutia, buď vymeniť za iný v dokonale funkčnom stave

alebo bezplatne opraviť, ak boli dodržané nižšie uvedené podmienky:

- výrobok bol používaný správnym spôsobom, v súlade s návodom, a nebol vykonaný žiadny pokus o opravu kupujúcim alebo treťou stranou;
- výrobok bol doručený do predajného miesta, v ktorom bol zakúpený, s priložením dokumentu, ktorý potvrdzuje zakúpenie (faktúra alebo účtenka) a krátkym popisom zaznamenaného problému.

Záruka sa nevzťahuje na časti vystavené opotrebovaniu, čo je najmä obežné koleso, upchávkya a tesnenia.



## KAZALO

1. UPORABA.....	118
2. TEKOČINE, KI JIH JE MOGOČE ČRPATI .....	118
3. TEHNIČNI PODATKI IN OMEJITVE UPORABE .....	118
4. UPRAVLJANJE .....	119
4.1 Skladiščenje .....	119
4.2 Prevažanje .....	119
4.3 Teža in velikost .....	119
5. OPOZORILO .....	119
6. NAMESTITEV.....	120
7. PRIKLOP NA ELEKTRIKO.....	120
8. ZAGON.....	120
9. VARNOSTNI UKREPI.....	121
10. ČIŠČENJE IN VZDRŽEVANJE.....	121
10.1 Čiščenje sesalnega filtra .....	121
10.2 Čiščenje nepovratnega ventila .....	121
11. ISKANJE OKVARE.....	121
NAPOLNITE EKSPANZIJSKO POSODO Z ZRAKM.....	122
12. GARANCIJA .....	122

## OPOZORILO



Pred nameščanjem natančno preberite celotno dokumentacijo.



Pred vsakim posegom jo izklopite iz napajanja. V vsakem primeru se izognite delovanju na suho.



Nujno zaščititi električno črpalko od vremenskih nepravil.



Zaščita proti preobremenjenosti . Črpalka ima samodejno toplotno zaščito motorja. V primeru eventualnega pregrevanja motorja, samodejna naprava avtomatsko izključi črpalko. Potreben čas za ohlajevanje je približno 15-20 minut, nato pa se črpalka avtomatski ponovno vključi. Po posegu samodejne naprave je nujno potrebno poiskati vzrok in ga eliminirati. Poglejte si po-glavje Iskanje Okvar.

## 1. UPORABA

Samosesalne centrifugalne črpalke s curkom, z izjemno sesalno sposobnostjo tudi za gazirano vodo. Izredno primerne za oskrbo z vodo in uravnavanje tlaka v hišah. Primerne za obdelovanje vrtov, nujne primere doma in hobije na sploh. Zaradi kompaktnosti in priročnosti so uporabne tudi kot prenosne črpalke za nujne primere kot je zajemanje vode iz rezervoarjev ali rek.



Teh črpalk ni mogoče uporabljati v bazenih, mlakah, bazenih z ljudmi oz. za črpanje ogljikovodikov (bencina, dizelskega goriva, oljnih goriv, topil itd.) v skladu z veljavnimi protinezgodnimi predpisi za področje. Pred shranjevanjem je priporočljivo čiščenje. Glej poglavje "Čiščenje in vzdrževanje".

## 2. TEKOČINE, KI JIH JE MOGOČE ČRPATI

Čisto brez trdih ali abrazivnih delcev, ni jedko.

Sladke vode	•
Deževnica (filtrirana)	•
Čiste odpadne vode	○
Umazane vode	○
Voda iz vodnjaka (filtrirana)	•
Voda iz rek ali jezer (filtrirana)	•
Pitna voda	•

Preglednica 1

- Primerno
- Neprimerno

## 3. TEHNIČNI PODATKI IN OMEJITVE UPORABE

- Napajalna napetost: **230V**, glej tablico s podatki o elektriki
- Tokovni prekinjevalnik (različica **230 V**): okvirne vrednosti (amper)
- Temperatura skladiščenja: -10°C +40°C

Model	Omrežna varovalka 230V 50Hz
P1= 850 W	<b>4</b>
P1= 1.100 W	<b>6</b>

Preglednica 2

## SLOVENŠČINA

	Model	P1=850W	P1=1100W
Električni podatki	P1 Nominalna vhodna moč [W]	850	1100
	P2 [W]	600	750
	Napetost omrežja	1 ~ 220-240 AC	
	Frekvenca omrežja [Hz]	50	
	Tok [A]	3.88	4.58
	Kondenzator [ $\mu$ F]	12.5	16
	Kondenzator [Vc]	450	
Hidravlični podatki	Maks. pretok [l/h]	3.180	3.750
	Maks. sesalna višina [m]	43	45
	Maks. sesalna višina [bar]	4.3	4.5
	Maks. tlak [bar]	6	
	Maks. globina sesanja [m/min]	8 m / < 3min	
	Tlak zagona [bar]	1.8	
	Tlak izklopa [bar]	3.2	
	Indikator tlaka	Manometer	Manometer
Področje uporabe	Dol. Napajalni kabel [m]	1.5	
	Vrsta kabla	H07 RNF	
	Stopnja zaščite motorja	IP X4	
	Izolacijski razred	F	
	Polje temperature tekočine [°C] v skladu z EN 60335-2-41 za uporabo v gospodinjstvu	0 °C / +35 °C	
	Maks. velikost delcev [mm]	Čista voda	
	Maks. Temperatura okolja [°C]	+40 °C	
Teža	DNM GAS	1" M	
	Neto/bruto teža ca. [kg]	14/16.6	14.8/17.4

Preglednica 3



Črpalka ne more vzdržati teže cevovoda, ki ga je treba drugače podpreti.

#### 4. UPRAVLJANJE

##### 4.1 Skladiščenje

Vse črpalke je treba skladiščiti v zaprtih in suhih prostorih s konstantno vlažnostjo zraka, brez vibracij in prašnih delcev. Dobavljajo se v originalnem pakiranju in se ne smejo odvijati do namestitve.

##### 4.2 Prevažanje

Izdelkov ne izpostavljajte nepotrebnim udarcem in trkom.

##### 4.3 Teža in velikost

Na nalepki na embalaži je navedena skupna teža električne črpalke in njena velikost.

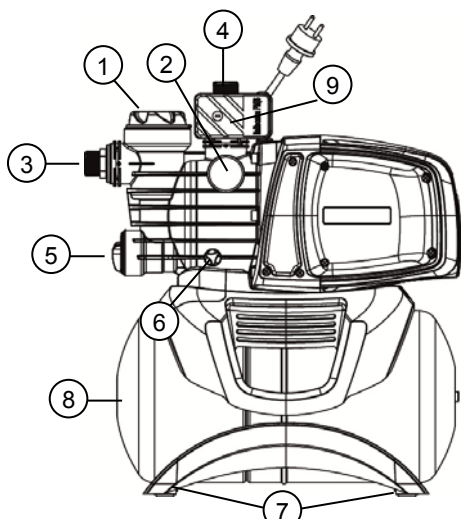
#### 5. OPOZORILO



Črpalke se ne sme nikoli prevažati, dvigovati ali vklapljeti tako, da visijo na napajalnem kablu. Za to se uporablja ustrezna ročica.

- Črpalke se ne sme nikoli vključiti na suhem.

## 6. NAMESTITEV



- 1 Prefilter
- 2 Manometer
- 3 Premični sesalni priključek
- 4 Dovodni priključek
- 5 Integriran nepovratni ventil
- 6 Odvodni pokrov
- 7 Protivibracijske gumijaste nogice
- 8 Rezervoar s kapaciteto 18 l.
- 9 Pretočno stikalo

Električno črpalko je treba namestiti zaščiteno pred vremenskimi vplivi in na temperaturo okolja, ki ne presega 40°C.

Črpalka ima protivibracijske nogice, ki pa jih je pri stalni namestitvi mogoče odstraniti in črpalko usidrati na podlago (7).

Pazite, da cevi ne prenašajo prevelikih obremenitev na ustja črpalke (3) in (4), da se ne deformirajo ali razbijejo.

**Vedno je dobra praksa črpalko postaviti čim bližje tekočini za črpanje.**

Črpalko je treba namestiti izključno vodoravno!

Notranji premer cevi ne sme biti nikoli manjši od premera ustij električne črpalke. Za sesanje je črpalka opremljena s filtrom (1) in nepovratnim ventilom (NRV) (5).

Za sesanje na globini večji od štirih metrov ali pri precejšnjih vodoravnih predelih se priporoča uporaba sesalne cevi s premerom večjim od premera sesalnega ustja električne črpalke. Da bi preprečili nastanek zračnih žepov v sesalni cevi je priporočljiv pozitiven nagib sesalne cevi proti električni črpalki. Sl.2

Če je sesalna cev gumijasta ali iz upogljivega materiala, vedno preverite, da je material ojačan in vzdržljiv na vakuum, da ne bi pri sesanju prišlo do zožitve.

Pri stalni namestitvi priporočamo namestitev zapornega ventila tako na strani sesanja kot na strani dovajanja. To omogoča zaprtje pretoka nad ali pod črpalko za potrebe vzdrževanja in čiščenja ali ko se črpalke ne uporablja.

Črpalka ima za lažje nameščanje vrtljive vhode. (3) in (4).

Pri upogljivih ceveh po potrebi uporabite koleno sl.1 in set za vrtnarjenje, ki vsebuje PE cev in komplet spojnikov z varilno glavo, ki niso priloženi in jih je mogoče kupiti ločeno.

Pri zelo majhni umazaniji priporočamo, da poleg vgrajenega filtra (1) uporabite filter za vstop v črpalko, ki ga namestite na sesalno cev.

- Preprečite prepogosto zaganjanje motorja/uro. Zelo se priporoča, da se ne prekorači 20 zagonov/uro



**Premer sesalne cevi mora biti večji ali enak premeru ustja električne črpalke, glej preglednico št. 3.**

## 7. PRIKLOP NA ELEKTRIKO



Preverite da napetost omrežja ustreza napetosti, ki je navedena na oznaki motorja za napajanje in, da ga je mogoče dobro pritrditi na tla. **Upoštevajte navodila na tehnični tablici in v 3. tabeli tega priročnika.**

**Dolžina napajalnega kabla na črpalki omejuje razdaljo namestitve. Če bi bil potreben podaljšek, pazite, da je istega tipa** (npr. H05 RN-F ali H07 RN-F slede na namestitve) glej preg. št.3.

## 8. ZAGON



Ne zaganjajte črpalke dokler ni povsem napolnjena s tekočino, ca. 4 litri.

Če zmanjka vodnega vira, takoj izklopite kabel in ugasnite črpalko. Izogibajte se delovanju na suho.

1. Pred zagonom preverite, da črpalka pravilno črpa tako da jo povsem napolnite s čisto vodo skozi temu namenjeno odprtino, po tem, ko ste odstranili dovodni pokrov prozornega filtra (1), z rokami ali z ustreznim priloženim orodjem. To je bistveno za brezhibno delovanje črpalke, izredno pomembno zato, da je mehansko tesnilo dobro namazano. **Delovanje na suho nepopravljivo poškoduje mehansko tesnilo.**
2. Pokrov za dotok je treba dobro zatisniti dokler se ne ustavi (1).
3. Vključite vtičnik napajalnega kabla v vtičnico z napetostjo 230 V. **Pozor!** Motor črpalke se bo zagnal takoj, voda bo začela odtekati po največ 3 minutah, glede na globino nivoja vode v jašku ali rezervoarju.
4. Ko doseže najvišji možni tlak, se črpalka samodejno ustavi. Če pri uporabi vode tlak pade pod minimalni tlak se črpalka samodejno zažene. Glej Pr. 3.
5. Črpalko dokončno izklopite tako, da iztaknete napajalni kabel.



Če imate težave z grundiranjem, postopek ponavljajte, dokler ne bo izginil ves sesalni zrak.

## 9. VARNOSTNI UKREPI

NEVARNOST ZMRZOVANJA: če črpalka ostane v mirovanju pri temperaturi, ki je nižja od 0°C, je treba preveriti, da ni ostankov vode, ki bi lahko, če bi zmrznila, poškodovala plastične delce.

Če se je črpalka uporabljala s snovmi, ki se rade posedajo ali s klorirano vodo, jo po uporabi splahnite z močnim vodnim curkom, da se ne bi naredila prevleka, ki bi poslabšala značilnosti črpalke.

## 10. ČIŠČENJE IN VZDRŽEVANJE

Med normalnim delovanjem električna črpalka ne potrebuje vzdrževanja. Celotno vzdrževanje in popravila se lahko izvajata le po izklopu črpalke iz napajalnega omrežja. Ko ponovno zaženete črpalko preverite, da je bila nameščena tako, da ne predstavlja nevarnosti za ljudi in stvari.

### 10.1 Čiščenje sesalnega filtra

(SI.3)

- Izklopite črpalko iz napajalnega omrežja.
- Izpraznite črpalko tako da odprete odvodni ventil (6) po tem, ko ste nad črpalko zaprli zaporne ventile (če prisotni).
- Odvijte pokrov komore filtra, z rokami ali z ustreznim priloženim orodjem.
- Od zgoraj odstranite filter.
- Splahnite kozarec pod tekočo vodo in filter očistite z mehko ščetko.
- Ponovno namestite filter tako da postopek izvedete v obratnem vrstnem redu.

### 10.2 Čiščenje nepovratnega ventila

(SI.4)

- Izklopite črpalko iz napajalnega omrežja.
- Odstranite pokrov nepovratnega ventila (5) s priloženim orodjem.
- Odstranite varnostni ventil nepovratnega ventila in očistite morebitno nečistočo sl. 9.
- Sestavite dele v obratnem vrstnem redu kot pri razstavljanju.

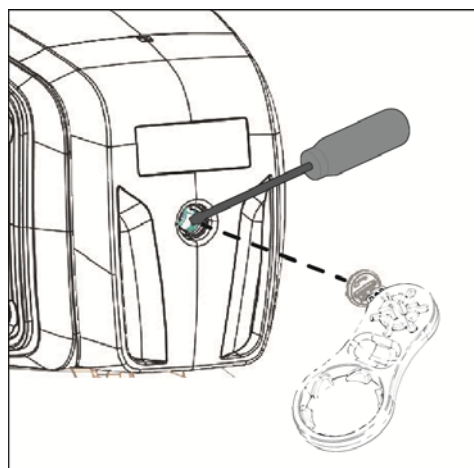
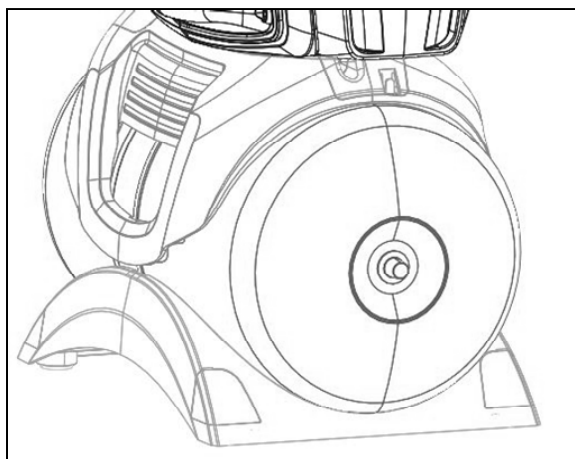
## 11. ISKANJE OKVARE



**Pred vyhláďaváním porúch vždy odpojte prívodný kábel od elektrickej siete (vytiahnite vidlicu prívodného kábla zo zásuvky). Ak zistíte nejaké poškodenie čerpadla alebo prívodného kábla, obráťte sa s opravou na výrobcu alebo na jeho autorizovaný servis alebo osobu s rovnakou kvalifikáciou, aby bolo zamedzené akémukoľvek nebezpečenstvu.**

TEŽAVE	PREVERJANJE (možni vzroki)	REŠITVE
1. Motor se ne zažene in ne proizvaja hrupa.	A. Preverite električne povezave. B. Preverite, če je motor pod napetostjo. C. Preverite zaščitne varovalke. D. Možen vpliv termične zaščite.	C. Če so pregorele, jih zamenjajte. D. Počakajte ca. 20 min, da se motor ohladi. Ugotovite vzrok in ga odpravite. <b>Pozor:</b> morebitna takojšnja ponovitev okvare pomeni, da je motor prišel v kratek stik.
2. Motor se ne zažene vendar proizvaja hrup.	A. Preverite, da omrežna napetost ustreza napetosti na tablici. B. Poiščite morebitne ovire na črpalci ali motorju. C. Preverite, da gred ni blokirana. D. Preverite stanje kondenzatorja.	B. Odstranite ovire. C. S priloženo napravo odvijte pokrovček in z izvijačem sprostite gred. D. Zamenjajte kondenzator.
3. Motor ima težave pri vrtenju.	A. Preverite, če je napajalna napetost zadostna. B. Preverite, če med stalnimi in premikajočimi se delci prihaja do praskanja.	B. Odstranite vzrok za praskanje.
4. Črpalka ne pretaka.	A. Črpalka ni bila ustrezno nastavljena. B. Sesalna cev ima premajhen premer. C. Nepovratni ventil ali filtri so zamašeni.	A. Črpalko napolnite z vodo in jo namestite, pri čemer pazite, da s pomočjo izpušnega pokrova izpustite zrak. B. Cev zamenjajte z drugo, ki ima večji premer. C. Očistite filter in po potrebi tudi nepovratni ventil
5. Črpalka se ne prilega.	A. Vsrkavanje zraka skozi sesalno cev. B. Zaradi negativnega naklona cevi nastajajo zračni žepi.	A. Odstranite napako tako da preverite tesnjenje priključkov in sesalni cevovod ter ponovno poskusite namestiti črpalko. B. Spremenite naklon sesalne cevi.
6. Črpalka izloča nezadostno količino.	A. Sesalna cev ima oviro. B. Rotor je obrabljen ali oviran. C. Sesalna cev ima premajhen premer.	A. Očistite sesalno cev. B. Odstranite oviro in zamenjajte obrabljene delce. C. Cev zamenjajte z drugo, ki ima večji premer.

TEŽAVE	PREVERJANJE (možni vzroki)	REŠITVE
7. Črpalka se pre pogosto vklaplja in izklaplja.	A. Membrana ekspanzijske posode je poškodovana. B. Tlak ekspanzijske posode je prenizek.	A. Zahtevajte, da vam pooblaščen servisna služba zamenja membrano. B. Napolnite ekspanzijsko posodo do 1,6 +/-0,2 barov. Glej Pr. 3.
8. Cev vibrira in med delovanjem proizvaja hrup.	A. Preverite, da sta črpalka in cev dobro pritrjeni. B. Črpalka je preobremenjena, količina vode je večja od njene zmogljivosti črpanja. C. Črpalka deluje preko podatkov na tablici.	A. Skrbneje zatisnite dele, ki so popustili. B. Zmanjšajte višino sesanja ali preverite izgube vnosa. C. Morda bi bilo ustrezno zmanjšati nosilnost vnosa.



#### NAPOLNITE EKSPANZIJSKO POSODO Z ZRAKOM

Tlak v ekspanzijski posodi mora biti prib. 1,6 +/- 0,2 bara. Predhodno se napolni v tovarno, zato pred zagonom ni treba izvesti nobenega .

Za polnjenje z zrakom potrebujete zračno črpalko ali napravo za napihovanje zračnic s kazalcem tlaka (manometer).

1. Odvijte zaščitni pokrov
2. Namestite zračno črpalko ali napravo za napihovanje zračnic na ventil ekspanzijske posode. Pihajte, dokler manometer ne bo pokazal prib. 1,6 +/-0,2 bar
3. Ponovno zaščitni pokrov.

#### 12. GARANCIJA



**Vsi nepooblaščen posegi proizvajalca razbremenjujejo vsakršne odgovornosti. Vsi rezervni deli, ki se uporabljajo pri popravilu morajo biti originalni in vsi pripomočki morajo biti pooblaščen s strani proizvajalca, tako da slednji lahko zagotovi maksimalno varnost strojev in sistemov, na katere se ti lahko nameščajo.**

Ta izdelek krije pravno jamstvo (v Evropski skupnosti 24 mesecev od dneva nakupa) za vse napake zaradi proizvodnih napak ali napak na uporabljenem materialu.

Izdelek pod garancijo bo lahko zamenjan z drugim, brezhibno delujočim, ali brezplačno popravljen, če za to obstajajo sledeči pogoji:

- izdelek je bil rabljen ustrezno in v skladu z navodili ter ni prišlo do poskusa popravila s strani kupca ali tretjih oseb.
- izdelek je bil oddan na prodajnem mestu vključno z dokazilom o nakupu (račun ali blagajniški izpis) in krajšim opisom težave.

Rotor in delci, ki so podvrženi obrabi, niso vključeni v garancijo. Poseg pod garancijo le te ne podaljšuje.

# TREGUESI I LËNDËS

1. ZBATIME.....	123
2. LËNGJE TË POMPUESHME.....	123
3. TË DHËNA TEKNIKE E KUFIZIME NË PËRDORIM .....	124
4. ADMINISTRIMI.....	124
4.1 Magazinimi .....	124
4.2 Transporti .....	124
4.3 Pesha e përmasat .....	124
5. PARALAJMËRIME .....	124
6. INSTALIMI.....	125
7. LIDHJA ELEKTRIKE .....	125
8. NDEZJA .....	125
9. MASA PARAPRAKE .....	126
10. MIRËMBAJTJA E PASTRIMI .....	126
10.1 Pastrimi i rrjetës së thithjes .....	126
10.2 Pastrimi i NRV .....	126
11. KËRKIMI I DEFЕКТЕВЕ.....	126
MBUSHENI ME AJËR REZERVUARIN E ZGJERIMIT.....	127
12. GARANCIA .....	127

## PARALAJMËRIME



Para se të vijoni me instalimin lexoni me vëmendje të gjithë dokumentacionin.



Para çdo ndërhyrjeje, hiqeni spinën. Shmangeni në mënyrën më absolute funksionimin në të thatë.



Mbrojeni elektropompën nga moti i keq.



Mbrojtja nga mbingarkesa Pompa është e pajisur me një siguresë motori. Në rast të mbinxehjes së motorit, siguresa e motorit e fik pompën automatikisht. Koha e ftohjes është rreth 15-20 min. pas kësaj pompa rindizet automatikisht. Pas ndërhyrjes së siguresës së motorit është absolutisht e nevojshme të kërkohet shkaku e të eliminohet. Konsultoni Kërkimin e Defekteve.

## 1. ZBATIME

Pompa centrifuge vetëmbushëse me hedhje me kapacitet të shkëlqyer thithjeje edhe në prani të ujit të gazuar. Veçanërisht i këshilluar për ushqimin ujqor dhe për presurizimin e shtëpive të fshatit. Të përshtatshme për bujqësi me përmasa të vogla në kopshtari dhe lulishte, emergjenca shtëpiake dhe punë hobi në përgjithësi. Falë formës kompakte e të përdorshme gjejnë edhe zbatime të posaçme si pompa portative për raste emergjence si thithja e ujit nga serbatorë ose lumenj.



Këto pompa nuk mund të përdoren në pishina, pellgje, rezervuarë ku ka njerëz, dhe/ose për pompimin e hidrokarbureve (benzinë, naftë, vajra të djegshme, solventë, etj.) sipas normave ligjore kundër aksidenteve që janë në fuqi në këtë fushë. Para se t'i rivendosni, do të ishte rregull i mirë të parashikonit një fazë pastrimi. Shikoni kapitullin “Mirëmbajtja e Pastrimi”.

## 2. LËNGJE TË POMPUESHME

I pastër, pa trupa të ngurta ose abrazivë, jo agresiv.

Ujëra të freskëta	•
Ujë shiu (I filtruar)	•
Ujëra të bardha të shkarkimit	○
Ujëra të papastra	○
Ujë shatërvani (I filtruar)	•
Ujë lumi ose liqeni (I filtruar)	•
Ujë i pijshëm	•

Tabelën 1

- I përshtatshëm
- I papërshtatshëm

## SHQIP

### 3. TË DHËNA TEKNIKE E KUFIZIME NË PËRDORIM

- **Tensioni i ushqimit: 230V**, shikoni targën e të dhënave elektrike
- **Siguresa të vonuara të linjës (versioni 230V):** vlera indikative (Amperë)
- **Temperatura e magazinimit: -10°C +40°C**

Modello	Siguresa të linjës 230V 50Hz
P1= 850 W	<b>4</b>
P1= 1.100 W	<b>6</b>

Tabelën 2

	Modeli	P1=850W	P1=1100W
Të dhëna elektrike	P1 Fuqia e thithur Nominale [W]	850	1100
	P2 [W]	600	750
	Voltazhi i rrjetit [V]	1 ~ 220-240 AC	
	Frekuenca e rrjetit [Hz]	50	
	Korrenti [A]	3.88	4.58
	Kondensatori [ $\mu$ F]	12.5	16
	Kondensatori [Vc]	450	
Të dhëna hidraulike	Prurja maksimale [l/h]	3.180	3.750
	Rezistenca maksimale [m]	43	45
	Rezistenca maksimale [bar]	4.3	4.5
	Trysnia maksimale [bar]	6	
	Thellësia maksimale e thithjes [m/min]	8 m / < 3min	
	Trysnia e ndezjes [bar]	1.8	
	Trysnia e fikjes [bar]	3.2	
	Treguesi i trysnisë	Manometri	Manometri
Fusha e përdorimit	Gjatësia e Kabllos së ushqimit [m]	1.5	
	Lloji i kabllor	H07 RNF	
	Shkalla e mbrojtjes së motorit	IP X4	
	Klasa e izolimit	F	
	Fusha e temperaturës së lëngut [°C] sipas EN 60335-2-41 për përdorim shtëpiak	0 °C / +35 °C	
	Përmasa e pjesëzave maksimumi	Ujë i pastër	
	Maks. Temperatura e mjedisit [°C]	+40 °C	
Pesha	DNM GAS	1" M	
	Pesha Neto/Bruto rreth [kg]	14/16.6	14.8/17.4

Tabelën 3



**Pompa nuk mund ta mbajë peshën e tubacioneve, të cilat duhet të mbahen ndryshe.**

### 4. ADMINISTRIMI

#### 4.1 Magazinimi

Të gjitha pompat duhet të magazinohen në një vend të mbuluar, të thatë e me lagështirë ajri mundësisht konstante, pa dridhje e pluhura. Jepen në ambalazhin e tyre origjinal ku duhet të rrinë deri në çastin e instalimit.

#### 4.2 Transporti

Shmangini produktet nga goditjet e përplasjet e kota.

#### 4.3 Pesha e përmasat

Targa ngjitëse e vendosur mbi ambalazh tregon peshën totale të elektropompës dhe përmasat e saj.

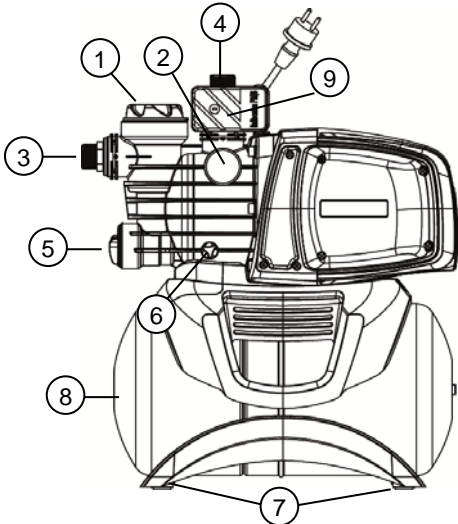
### 5. PARALAJMËRIME



**Pompat kurrë nuk duhet të transportohen, të ngrihen ose të futen në punë kur gjenden pezull duke përdorur kabllon e ushqimit, duhet të përdorni dorezën e posaçme.**

- Pompa nuk duhet të futet kurrë në punë në të thatë.

## 6. INSTALIMI



- 1 Parafiltri
- 2 Manometri
- 3 Lidhja e thithjes e drejtueshme
- 4 Lidhja e daljes e
- 5 Valvula e moskthimit e integruar
- 6 Tapa e shkarkimit
- 7 Këmbëza prej gome kundër dridhjeve
- 8 Serbator prej 18 l.
- 9 Rregulluesi i fluksit

Elektropompa duhet të instalohet në një vend të mbrojtur nga moti i keq dhe me një temperaturë mjedisore jo më të lartë se 40°C.

Pompa është e pajisur me këmbëza kundër dridhjes, por në rast instalimesh fikse mund të hiqen e të parashikohet një mbërthim në bazën e mbështetjes (7).

Mos lejoni që tubacionet t'u transmetojnë sforcime të tepërta grykëve të pompës (3) e (4), për të mos krijuar deformime ose çarje.

**Është gjithnjë rregull i mirë që pompa të vendoset sa më afër që të jetë e**

**mundur me lëngun që duhet pompuar.**

Pompa duhet të instalohet ekskluzivisht në pozicion horizontal.

Tubacionet nuk duhet të jenë kurrë me diametër të brendshëm më të vogël se ai i grykëve të elektropompës e në thithje, pompa është e pajisur me filtër (1) e valvul Moskthimi (NRV) (5).

Për thellësi thithjeje përtej katër metrave ose me kalime të gjata horizontale, këshillohet përdorimi i një tubi thithës me diametër më të madh se sa ai i grykës thithëse të elektropompës. Për të shmangur formimin e xhepave të ajrit në tubin e thithjes, parashikoni një pjerrësi të lehtë pozitive të tubit të thithjes drejt elektropompës. Fig.2

Në qoftë se tubacioni thithës është prej gome ose me material fleksibël, kontrolloni gjithnjë që të jetë i llojit të përforcuar, rezistent ndaj zbrazëtisë, për të shmangur ngushtimet për efekt të thithjes.

Në rast instalimi fiks, rekomandohet të montoni një valvul mbyllëse si në anën e thithjes ashtu edhe në anën e daljes së lëngut. Kjo mundëson mbylljen e linjës në fillim e/o në fund të pompës, çka është e dobishme për të gjitha ndërhyrjet e mirëmbajtjes dhe të pastrimit, ose për periudha kur pompa nuk përdoret.

Pompa është e pajisur me hyrje rrotulluese për të lehtësuar instalimin. (3) e (4).

Në rastin e tubave fleksibël, nëse është e nevojshme, përdorni një lakore fig.1 e pajimet e kopshtarisë të përbërë nga tubacione me PE e pajime rakordesh me hundëz, që nuk jepen por mund të blihen veçmas.

Në prani të papastërtive me përmasa shumë të vogla këshillohet të përdorni, përveç filtrit të integruar (1), një filtër në hyrje të pompës së montuar mbi tubin e thithjes.

- Mos i bëni motorit ndezje/orë të tepërta, këshillohet rreptësisht të mos tejkalohen 20 ndezje/orë.



**Diametri i tubit thithës duhet të jetë më i madh ose baras me diametrin e grykës së elektropompës, shikoni Tabelën 3.**

## 7. LIDHJA ELEKTRIKE



Sigurohuni që tensioni i rrjetit të përkojë më atë të targës së motorit për t'u ushqyer e që të jetë e mundur të bëhet një lidhje e mirë tokësore. **Respektoni udhëzimet e shkruara në targën teknike e në këtë manual tabela 3.**

**Gjatësia e kabllor së ushqimit që gjendet mbi pompë e kufizon distancën e instalimit; në rast se keni nevojë për një zgjatuese, sigurohuni që të jetë e të njëjtit lloj (p.sh. H05 RN-F o H07 RN-F sipas instalimit) shikoni tab.3.**

## 8. NDEZJA



Mos e ndizni pompën pa e mbushur më parë tërësisht me lëng, rreth 4 litra.

Në rast se mbaron burimi ujqor, hiqeni menjëherë spinën, duke e fikur pompën. Shmangni funksionimin në të thatë.

1. Para se ta ndizni, kontrolloni nëse pompa është rregullisht e mbushur, duke bërë mbushjen e saj të plotë, me ujë të pastër, nëpërmjet vrimës së posaçme, pasi ta keni hequr tapën e mbushjes së filtrit transparent (1), me duar ose me mjetin e posaçëm të dhënë si pajisje. Ky veprim është themelor për funksionimin e përkryer të pompës, i domosdoshëm në mënyrë që guarnicioni hidroizolues të rezultojë i lubrifikuar mirë. **Funksionimi në të thatë i shkakton dëme të riparueshme guarnicionit hidroizolues.**
2. Tapa e mbushjes (ngarkimit) duhet të rividhohet më pas me kujdes derisa të mos shkojë më tej (1).
3. Futeni spinën e kabllor së ushqimit në një prizë korrenti me 230 V. **Kujdes!** Motori i pompës do të ndizet menjëherë, uji do të fillojë të dalë pas një kohe maksimale prej 3 minutash, që do të varet nga thellësia e nivelit të ujit, në pus ose në cisternë.



## SHQIP

4. Kur arrihet trysnia maksimale pompa çaktivizohet automatikisht. Në qoftë se, duke përdorur ujë, trysnia zbret nën trysninë minimale, pompa aktivizohet automatikisht. Shiko Tab. 3.
5. Për ta fikur përfundimisht pompën, hiqeni spinën e kablos së ushqimit.



Në rast problemesh me mbushjen fillestare të pompës, përsërisni manovrimin derisa i gjithë ajri në thithje të zhduket.

### 9. MASA PARAPRAKE

**RREZIK NGRIRJEJE:** kur pompa mbetet e pandezur në temperaturë më të ulët se 0°C, duhet të siguroheni që të mos ketë mbetje ujore, të cilat duke ngrirë mund të krijojnë krisa në pjesët plastike.

Në qoftë se pompa është përdorur me lëndë që anojnë të depozitohen, ose me ujë të kloruar shpëlajeni pas përdorimit, me një hedhje uji të fuqishme në mënyrë që të shmanget formimi i depozitimeve ose i koreve që do t'i reduktonin karakteristikat e pompës.

### 10. MIRËMBAJTJA E PASTRIMI

Elektropompa gjatë funksionimit normal nuk kërkon asnjë lloj mirëmbajtjeje. Në çdo rast, të gjitha ndërhyrjet e riparimit dhe mirëmbajtjes duhet të kruhen vetëm pasi ta keni shkëputur pompën nga rrjeti i ushqimit me energji elektrike. Kur pompa ndizet sërish, sigurohuni që të jetë rimontuar sipas rregullave, për të mos rrezikuar sendet e njerëzit.

#### 10.1 Pastrimi i rrjetës së thithjes

(Fig.3)

- Shkëputeni ushqimin elektrik nga pompa.
- Bëni drenazhin e pompës, duke hapur tapën e shkarkimit (6), pasi t'i keni mbyllur më parë saraçineskat në fillim (nëse ka të tilla).
- Zhvidhosni kapakun e dhomës së filtrit, me duar ose me aksesoriin e posaçëm që jepet si pajisje.
- Nxirrni nga lart njësinë e filtrit.
- Shpëlajeni gotën në ujë të rrjedhshëm e pastroni filtrin me një furçë të butë.
- Rimontojeni filtrin duke kryer veprimet në të kundërt.

#### 10.2 Pastrimi i NRV

(Fig.4)

- Shkëputeni ushqimin elektrik nga pompa.
- Hiqeni tapën e NRV (5) me aksesoriin e dhënë si pajisje.
- Hiqeni valvulën e moskthimit NRV e pastrojini nga papastërtitë e mundshme fig. 9.
- Montoni pjesët në drejtimin e kundërt të sekuencës së çmontimit.

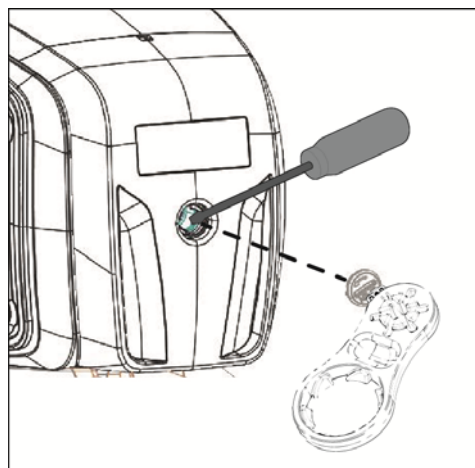
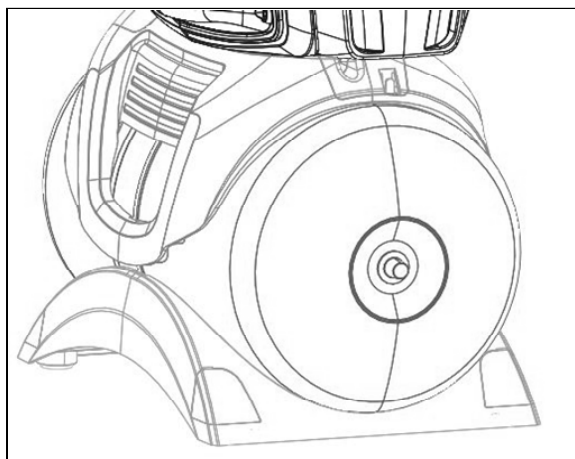
### 11. KËRKIMI I DEFEKTEVE



**Para se të filloni kërkimin e defekteve është nevojshme ta ndërprisni lidhjen elektrike të pompës (hiqeni spinën nga priza). Nëse kabloja e ushqimit ose pompa në çdo pjesë të saj elektrike është e dëmtuar, ndërhyrja e riparimit ose e zëvendësimit duhet të kryhet nga Ndërtuesi, ose nga shërbimi i tij i asistencës teknike, ose nga një person me kualifikimin e barasvlershëm në mënyrë që të parandalohet çdo rrezik.**

VËSHITRËSI	VERIFIKIME (shkaqe të mundshme)	RREGULLIME
1. Motori nuk ndizet e nuk bën zhurmë.	A. Verifikoni lidhjet elektrike. B. Verifikoni nëse motori është në korrent. C. Verifikoni siguresat mbrojtëse. D. Ndërhyrje e mundshme e mbrojtjes termike.	C. Nëse janë djegur zëvendësojini. D. Prisni 20 min me qëllim që motori të ftohet. Verifikoni shkaku që e përcaktoi dhe eliminojeni. <b>Shënim:</b> përsëritja e mundshme e menjëhershme e defektit do të thotë se motori është në qark të shkurtër.
2. Motori nuk ndizet, por bën zhurmë.	A. Sigurohuni që tensioni i rrjetit të korrespondojë me atë të targës. B. Kërkoni bllokime të mundshme të pompës ose të motorit. C. Verifikoni nëse boshti është bllokuar. D. Verifikoni gjendjen e kondensatorit.	B. Hiqni bllokimet. C. Veproni me mjetin e pajisur për ta zhvidhosur kapakun e vogël e me një kaçavidë zhbllokoni boshtin. D. Zëvendësoni kondensatorin.
3. Motori rrotullohet me vështirësi.	A. Sigurohuni që tensioni i ushqimit të jetë i mjaftueshëm. B. Verifikoni nëse ka rashinime midis pjesëve të lëvizshme dhe fikse.	B. Eliminoni shkaqet e rashinimit.
4. Pompa nuk nxjerr ujë.	A. Pompa nuk është mbushur në mënyrë korrekte. B. Tubi i thithjes me diametër të pamjaftueshëm. C. Valvula e moskthimit NRV ose filtri janë të bllokuar.	A. Mbusheni pompën me ujë, dhe bëni mbushjen, duke pasur kujdes që të nxirrni ajrin duke zhvidhosur tapën e shfryrjes. B. Zëvendësoni tubin me një tjetër me diametër më të madh. C. Pastrojini filtrin e në rast se nuk është e mjaftueshme edhe valvulën NRV.

VËSHIRËSI	VERIFIKIME (shkaqe të mundshme)	RREGULLIME
5. Pompa nuk mbushet.	A. Thithja e ajrit me anë të tubit të thithjes.  B. Pjerrësia negative e tubit të thithjes favorizon formimin e xhepave të ajrit.	A. Eliminoni dukurinë duke kontrolluar guarnicionet e lidhjeve dhe tubacionet e thithjes, e përsëriteni veprimin e mbushjes. B. Korrigjoni pjerrësinë e tubit të thithjes.
6. Pompa nxjerr prurje të pamjaftueshme.	A. Tubi i thithjes është i bllokuar. B. Rotori është konsumuar ose bllokuar.  C. Tubi i thithjes me diametër të pamjaftueshëm.	A. Pastrojini tubin e thithjes. B. Hiqni bllokimet ose zëvendësojini pjesët e konsumuara. C. Zëvendësoni tubacionet me një diametër më të madh.
7. Pompa aktivizohet e çaktivizohet shumë shpesh.	A. Membrana e rezervuarit të zgjerimit e dëmtuar. B. Trysnia e rezervuarit të zgjerimit është shumë e ulët.	A. Kërkoni zëvendësimin e membranës nga shërbimi teknik i autorizuar. B. Mbusheni rezervuarin e zgjerimit deri në një ngarkesë prej 1.6 $\pm$ 0.2 bar. Shiko Tab.3.
8. Pompa dridhet duke punuar me zhurmë.	A. Verifikoni nëse pompa dhe tubacionet janë të mbërthyer mirë. B. Pompa bën kavitacion, d.m.th. ka kërkesë më të madhe për ujë se sa ajo që arrin të pompojë. C. Pompa punon përtej të dhënave të targës.	A. Mbërthejini me kujdes më të madh pjesët e liruara. B. Uleni lartësinë e thithjes ose kontrolloni rrjedhjet në mbushje. C. Mund të jetë i dobishëm kufizimi i prurjes në dalje.



### MBUSHENI ME AJËR REZERVUARIN E ZGJERIMIT

Trysnia në rezervuarin e zgjerimit duhet të jetë rreth 1.6  $\pm$  0.2 bar. Mbushet fillimisht në fabrikë, pra në ndezjen e parë nuk është e nevojshme të bëni asnjë veprim.

Për mbushjen e ajrit është e nevojshme një pompë me ajër ose një mekanizëm për fryrjen e gomave me tregues të trysnisë (manometër).

1. Zhvidhoseni kapakun mbrojtës
2. Vendoseni pompën e ajrit ose mekanizmin e fryrjes për goma tek valvula e rezervuarit të zgjerimit, pomponi ajrin derisa manometri të tregojë rreth 1.6  $\pm$  0.2 bar.
3. Vidhosni sërish kapakun mbrojtës.

### 12. GARANCIA



**Çdo ndryshim i paautorizuar paraprakisht, i heq ndërtuesit çdo lloj përgjegjësie. Të gjitha pjesët e këmbimit të përdorura për riparimet duhet të jenë origjinale e të gjithë aksesoret duhet të autorizohen nga ndërtuesi, në mënyrë që të garantohet siguria maksimale e makinave dhe e impianteve mbi të cilat këto mund të montohen.**

Ky produkt mbulohet nga garancia ligjore (në Komunitetin Evropian për 24 muaj nga data e blerjes) përsa i përket të gjitha defekteve që i vishen problemeve të fabrikimit ose të materialit të përdorur.

Produkti në garanci, sipas dëshirës, mund të zëvendësohet me një tjetër në gjendje të përkryer funksionimi, ose të riparohet falas kur respektohen kushtet e mëposhtme:

- produkti është përdorur në mënyrë korrekte e në pajtim me udhëzimet e asnjë tentativë riparimi nuk është bërë nga blerësi ose nga të tretë.
- produkti është dorëzuar në pikëshitjen ku është blerë, duke bashkëlidhur dokumentin që vërteton blerjen (faturën ose kuponin tatimor) e një përshkrim të shkurtër të problemit të hasur.

Rotori e pjesët që konsumohen, nuk hyjnë në garanci. Ndërrhyrja në garanci nuk përfshin në asnjë rast periudhën fillestare.

# SADRŽAJ

1. PRIMENE .....	128
2. TEČNOSTI KOJE SE MOGU PUMPATI .....	128
3. TEHNIČKI PODACI I OGRANIČENJA UPOTREBE .....	129
4. UPRAVLJANJE .....	129
4.1 Skladištenje .....	129
4.2 Transport .....	129
4.3 Težina i dimenzije .....	129
5. UPOZORENJA .....	129
6. INSTALACIJA .....	130
7. ELEKTRIČNO PRIKLJUČIVANJE .....	130
8. POKRETANJE .....	130
9. MERE PREDOSTROŽNOSTI .....	131
10. ODRŽAVANJE I ČIŠĆENJE .....	131
10.1 Čišćenje usisnog filtera .....	131
10.2 Čišćenje nepovratnog ventila (NRV) .....	131
11. TRAŽENJE KVAROVA .....	131
PUNJENJE EKSPANZIONE POSUDE VAZDUHOM .....	132
12. GARANCIJA .....	132

## UPOZORENJA



Pre nego što počnete instalaciju pažljivo pročitajte svu dokumentaciju.



Pre svake intervencije iskopčajte utikač iz utičnice. Apsolutno izbegavajte rad na suvo.



Zaštite pumpu od uticaja nepovoljnih vremenskih prilika.



Zaštita od preopterećenja. Pumpa je opremljena uređajem za termičku zaštitu motora. U slučaju eventualnog pregrevavanja motora, uređaj za zaštitu motora automatski isključuje pumpu. Vreme hlađenja je otprilike 15-20 min. Posle tog vremena, pumpa se automatski ponovo uključuje. Nakon intervencije uređaja za zaštitu motora apsolutno je potrebno utvrditi njen uzrok i ukloniti ga. Pogledajte poglavlje Traženje kvara.

## 1. PRIMENE

Samousisne centrifugalne mlazne pumpe sa odličnom usisnom moći, čak i u prisustvu gasa u vodi. Posebno pogodne za potrebe vodosnabdevanja i povećanje pritiska kod kuće. Posebno su preporučljive za napajanje vodom i podizanje pritiska vode u seoskim imanjima. Pogodne su za malu poljoprivredu u povrtnjacima i za baštovanstvo, za slučajeve nužde u domaćinstvu i hobije u opštem smislu. Zahvaljujući svom kompaktnom obliku, pogodnom za rukovanje, ove pumpe imaju i posebnu primenu kao prenosive pumpe u slučajevima nužde kao što su preuzimanje vode iz rezervoara ili reka.



Ove pumpe mogu da se koriste u bazenima, jezercima, slivovima uz prisustvo ljudi i/ili za pumpanje ugljovodonika (benzina, dizel goriva, ulja koja se koriste kao gorivo, rastvarača, itd), prema važećim propisima o zaštiti na radu. Pre odlaganja, dobro je predvideti jednu fazu čišćenja. Pogledajte poglavlje "Održavanje i čišćenje".

## 2. TEČNOSTI KOJE SE MOGU PUMPATI

Čist, bez prisustva čvrstih čestica ili abrazivnih supstanci, neagresivan.

Sveža voda	•
Kišnica (filtrirana)	•
Čista otpadna voda	○
Prijava voda	○
Voda iz fontane (filtrirana)	•
Voda iz reka ili jezera (filtrirana)	•
Pitka voda	•

CTO 1

- Pogodna
- Nepogodna

## SRPSKI

### 3. TEHNIČKI PODACI I OGRANIČENJA UPOTREBE

- **Napon napajanja: 230V**, pogledajte pločicu s električnim podacima
- **Tromi linijski osigurači (verzija 230 V):** indikativne vrednosti (u amperima)
- **Temperatura skladištenja:** -10°C +40°C

Model	Linijski osigurači 230V 50Hz
P1= 850 W	<b>4</b>
P1= 1.100 W	<b>6</b>

CTO 2

	Model	P1=850W	P1=1100W
Električni podaci	P1 Nominalna apsorbovana snaga [W]	850	1100
	P2 [W]	600	750
	Mrežni napon [V]	1 ~ 220-240 AC	
	Mrežna frekvencija [Hz]	50	
	Struja [A]	3.88	4.58
	Kondenzator [µF]	12.5	16
	Kondenzator [Vc]	450	
Hidraulični podaci	Maks. protok [l/h]	3.180	3.750
	Maks. napor vodenog stuba [m]	43	45
	Maks. napor vodenog stuba [bar]	4.3	4.5
	Maks. pritisak [bar]	6	
	Maks. dubina usisavanja [m/min]	8 m / < 3min	
	Pritisak uključanja [bar]	1.8	
	Pritisak isključenja [bar]	3.2	
	Pokazivač pritiska	Manometar	Manometar
Polje upotrebe	Dužina kabla za napajanje [m]	1.5	
	Vrsta kabla	H07 RNF	
	Stepen IP zaštite motora	IP X4	
	Klasa izolacije	F	
	Polje temperature tečnosti [°C] prema standardu EN 60335-2-41 za upotrebu u domaćinstvu	0 °C / +35 °C	
	Maks. dimenzija čestica	čista voda	
	Maks. temperatura ambijenta [°C]	+40 °C	
Težina	DNM GAS	1" M	
	Neto/bruto težina cca [kg]	14/16.6	14.8/17.4

CTO 3



**Pumpa ne može da podnese težinu cevi koje se moraju podržati na drugi način.**

### 4. UPRAVLJANJE

#### 4.1 Skladištenje

Sve pumpe moraju da budu skladištene u zatvorenoj, suvoj prostoriji, bez vibracija i prašine, u kojoj vlažnost vazduha po mogućnosti ima stalnu vrednost. Pumpe se isporučuju u svojoj originalnoj ambalaži u kojoj moraju ostati do momenta instalacije.

#### 4.2 Transport

Izbegavajte nepotrebne udare i sudare proizvoda.

#### 4.3 Težina i dimenzije

Na ambalaži se nalazi nalepnica sa oznakom ukupne težine i dimenzija pumpe.

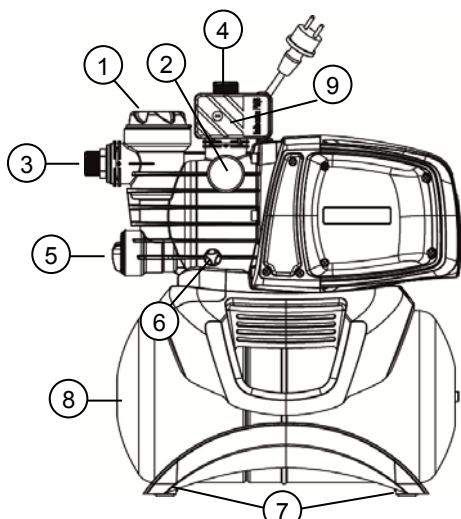
### 5. UPOZORENJA



**Pumpe se nikad ne smeju prevoziti, podizati ili puštati u rad obešene za kabl za napajanje. Koristite odgovarajuću ručku.**

- Pumpa ne sme nikad da radi na suvo.

## 6. INSTALACIJA



- 1 Prefilter
- 2 Manometar
- 3 Okretni usisni priključak
- 4 Potisni priključak
- 5 Integrisani nepovratni ventil
- 6 Čep za ispuštanje
- 7 Antivibracijske gumene nožice
- 8 Rezervoar od 18 l.
- 9 Kontroler protoka

Električna pumpa mora da bude instalirana u prostoru zaštićenom od vremenskih nepogoda i sa temperaturom ambijenta koja ne sme da bude viša od 40°C.

Pumpa je opremljena antivibracijskim nožicama, ali ih je u slučaju nepomičnih instalacija moguće skinuti i predvideti pričvršćivanje za osnovu (7).

Nemojte dozvoliti da cevi prenose preterano opterećenje na otvore pumpe (3) i (4) da se ne bi stvarale deformacije ili lomljenja.

**Pumpu smestiti što bliže dizanom fluidu.**

Pumpa mora biti instalirana u horizontalnom položaju.

Cevi ne smeju nikad imati unutrašnji promer manji od promera otvora električne pumpe; na usisnom delu pumpa je opremljena filterom (1) i nepovratnim ventilom (NRV) (5).

Za dubine usisa veće od 4m ili za veće dužine cevi preporuka je da ulazno crevo bude većeg prečnika od onog na ulazu u pumpu. Da bi sprečili pojavu vazdušnih džepova, ulazno crevo mora biti nagnuto malo naviše prema pumpi. Sl.2

Ako je usisna cev izrađena od gume ili fleksibilnog materijala, uvijek proverite da se radi o vrsti cevi sa ojačanjem, otpornom na vakum, da bi se izbeglo njeno sužavanje usled usisavanja.

U slučaju nepomične instalacije, preporučuje se montaža ventila za zatvaranje i na usisnom i na potisnom delu. To omogućuje zatvaranje linije uzvodno i/ili nizvodno od pumpe, što je korisno za sve intervencije održavanja i čišćenja ili u periodima u kojima se pumpa ne koristi.

Pumpa je opremljena rotirajućim ulazima da bi se olakšala instalacija. (3) i (4).

U slučaju fleksibilnih cevi, ako je potrebno, koristite krivu cev, sl. 1 i komplet opreme za rad u bašti koji se sastoji od PE cevi i kompleta priključaka sa uskim nastavkom, koji nisu deo opreme ali se mogu odvojeno nabaviti.

U prisustvu prljavštine vrlo malih dimenzija preporučuje se upotreba, osim integrisanog filtera (1) još jednog filtera na ulazu pumpe, montiranog na usisnoj cevi.

- Nemojte podvrgavati motor preteranim pokretanjima/sat. Izričito se preporučuje da broj pokretanja ne pređe 20 pokretanja /sat.



**Promer usisne cevi mora biti veći ili jednak promeru otvora električne pumpe, pogledajte Tabelu 3.**

## 7. ELEKTRIČNO PRIKLJUČIVANJE



Obezbedite da napon napajanja odgovara onom na pločici motora i uradite dobro uzemljenje. **Pridržavajte se uputstava navedenih na tehničkoj pločici i u ovom priručniku, tabela 3.**

**Dužina kablja za napajanje prisutnog na pumpi ograničava udaljenost instalacije. U slučaju da je potreban produžni kabl, uverite se da je on iste vrste, (npr. H05 RN-F ili H07 RN-F zavisno od instalacije) pogledajte tab.3.**

## 8. POKRETANJE



Nemojte pokrenuti pumpu ako je niste potpuno napunili tečnošću, otprilike 4 litra.

U slučaju da dođe do nedostatka vodnog resursa, odmah iskopčajte utikač iz utičnice, da biste isključili pumpu. Izbegavajte rad na suvo.

1. Pre pokretanja, proverite da li pumpa pravilno usisava, obezbeđujući njeno potpuno punjenje čistom vodom preko odgovarajućeg otvora, nakon što ste ručno ili putem odgovarajućeg instrumenta, koji je deo opreme, skinuli čep za punjenje providnog filtera (1). Ovim se obezbeđuje momentalan i ispravan rad pumpe. **Rad na suvo izaziva nepovratna oštećenja na mehaničkom zaptivanju.**
2. Čep za punjenje mora se posle toga pažljivo zavrnuti do kraja (1).
3. Uključite utikač kablja za napajanje u 230 V utičnicu. **Pažnja!** Motor pumpe će se odmah pokrenuti, voda će početi da izlazi nakon maksimalno 3 minuta, zavisno od dubine nivoa vode u bunaru ili cisterni.
4. Kad dostigne maksimalni pritisak, pumpa se automatski deaktivira. Ako se, korištenjem vode, pritisak spusti ispod minimalnog, pumpa se automatski aktivira. Pogledajte tab. 3.
5. Za definitivno isključivanje pumpe iskopčajte utikač kablja za napajanje iz utičnice.



U slučaju problema sa početnim punjenjem, ponovite postupak dok vazduh u usisu potpuno ne nestane.

## 9. MERE PREDOSTROŽNOSTI

**OPASNOST OD ZAMRZAVANJA:** kad pumpa ostane neaktivna na temperaturi nižoj od 0°C, treba proveriti da nema preostale vode koja bi mogla da se zamrzne i dovede do stvaranja pukotina na plastičnim delovima.

Ako je pumpa korištena sa supstancama koje se polažu, ili sa hlorisanom vodom, nakon upotrebe isperite je snažnim mlazom vode da bi se izbeglo stvaranje naslaga koji bi mogle da umanje karakteristike pumpe.

## 10. ODRŽAVANJE I ČIŠĆENJE

Prilikom normalnog rada električne pumpe, nema potrebe za bilo kakvim održavanjem. U svakom slučaju sve intervencije popravki i održavanja moraju se vršiti samo nakon što se pumpa iskopča sa mreže napajanja. Kad se pumpa ponovo pokreće, uverite se da je pravilno montirana, da ne bi bila uzrok opasnosti za ljude i stvari.

### 10.1 Čišćenje usisnog filtera

#### (SI.3)

- Prekinite električno napajanje pumpe.
- Izvršite drenažu pumpe, tako što ćete otvoriti čep za pražnjenje (6), nakon što ste prvo zatvorili uzvodne zasune (ako su prisutni).
- Odvijte poklopac komore filtera, ručno ili odgovarajućim dodatnim delom koji je deo opreme.
- Izvucite odozgo jedinicu filtera.
- Isperite čašu pod tekućom vodom i očistite filter mekanom četkom.
- Ponovo montirajte filter vršeći radnje obrnutim redosledom.

### 10.2 Čišćenje nepovratnog ventila (NRV)

#### (SI.4)

- Prekinite električno napajanje pumpe.
- Skinite čep nepovratnog ventila (NRV) (5) dodatnim delom koja je dio opreme.
- Skinite zaporni ventil (NRV) i očistite ga od eventualne prljavštine, sl. 9.
- Sklopite delove obrnutim redosledom u odnosu na rasklapanje.

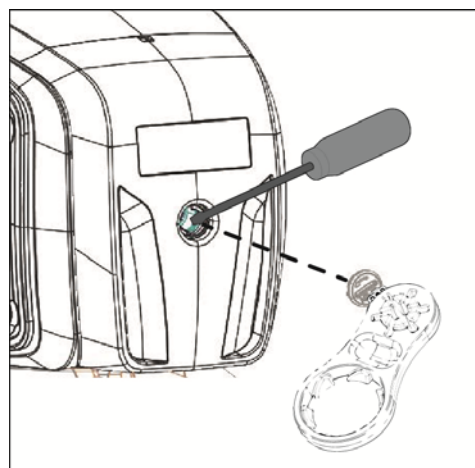
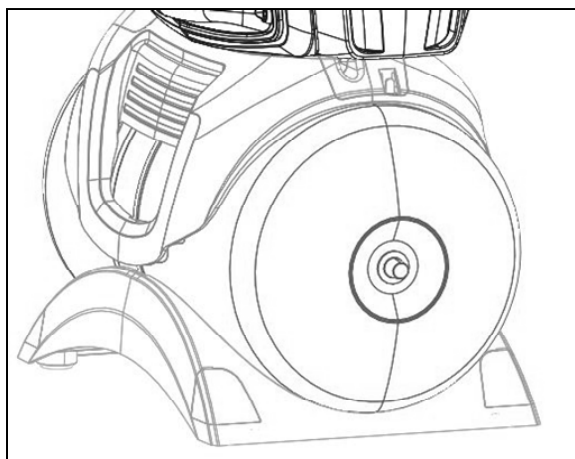
## 11. TRAŽENJE KVAROVA



Pre nego što počnete sa traženjem kvarova, potrebno je prekinuti električno povezivanje pumpe (izvucite utikač iz utičnice). Ako postoji oštećenje na bilo kojem električnom delu napojnog kabla ili pumpe, intervenciju popravke ili zamene mora da vrši proizvođač ili njegova tehnička servisna služba ili osoba sa sličnom kvalifikacijom da bi se sprečila pojava bilo kakvog rizika.

GREŠKA	PROVERITI (mogući uzrok)	REŠENJE
1. Pumpa ne startuje.	A. Proverite električno povezivanje. B. Proverite stanje motora. C. Proverite osigurače. D. Moguća intervencija termičke zaštite.	C. Ako su pregoreli, zamenite ih. D. Sačekajte otprilike 20 min dok se motor ne ohladi. Proverite uzrok intervencije i uklonite ga. Ako se greška i dalje ponavlja, motor je kratko spojen.
2. Pumpa ne startuje ali motor radi.	A. Obezbedite priključni napon isti kao onaj na pločici uređaja. B. Proverite moguće blockade u pumpi ili motoru. C. Proverite da li je osovinu blokirana. D. Proverite stanje kondenzatora.	B. Uklonite blokadu. C. Uz pomoć dodatnog dela koji je deo opreme odvijte mali poklopac i odvijačem odblokirajte osovinu. D. Zamenite kondenzator.
3. Motor se teško okreće.	A. Proverite da li je napon dovoljan. B. Proverite da li ima sudaranja nekih obrtnih delova.	B. liminišite uzrok.
4. Pumpa ne radi dovoljno.	A. Pumpa nije pravilno napunjena. B. Premali prečnik ulazne cevi. C. Nepovratni ventil (NRV) ili filter blokirani.	A. Napunite pumpu vodom i izvršite početno usisavanje, pazeći da isпустite vazduh tako što ćete odvititi čep za odušak. B. Zamenite sa cevi većeg prečnika. C. Dobro očistite filter i ako to nije dovoljno i nepovratni ventil (NRV).
5. Pumpa ne pumpa.	A. Usisavanje vazduha preko usisne cevi. B. U usisnoj cevi se zadržava vazduh.	A. Uklonite tu pojavu, tako što ćete proveriti nepropusnost priključaka i usisnih cevi i ponovite operaciju početnog usisavanja. B. Korigujte nagib usisne cevi.

GREŠKA	PROVERITI (mogući uzrok)	REŠENJE
6. Pumpa ne pumpa dovoljno.	A. Usisna cev je blokirana. B. Radno kolo je pohabano ili blokirano. C. Nedovoljan prečnik usisne cevi	A. Dobro očistite usisnu cev. B. Uklonite opstrukcije ili zamenite phabane delove. C. Zamenite sa cevi većeg prečnika.
7. Pumpa se prečesto aktivira i deaktivira.	A. Membrana ekspanzione posude je oštećena. B. Pritisak ekspanzione posude je prenizak.	A. Obratite se ovlašćenom tehničkom servisu radi zamene membrane. B. Napunite ekspanzionu posudu do 1,6 +/- 0,2 bara. Pogledajte tab. 3.
8. Pumpa vibrira i bučna je.	A. Proverite veze pumpe sa postoljem. B. Pojava kavitacije – povećan zahtev za vodom u odnosu na kapacitet pumpe. C. Pumpa radi na većim karakteristikama od deklarisanih..	A. Fiksirajte olabavljene delove. B. Redukujte usisnu visinu ili proverite gubitke. C. Ograničite protok na izlazu.



#### PUNJENJE EKSPANZIONE POSUDE VAZDUHOM

Pritisak u ekspanzionoj posudi mora da bude otprilike 1,6 +/- 0,2 bara. Fabrički je već napunjena i stoga kod prvog pokretanja nije potrebno vršiti bilo kakav postupak.

Za dopunjavanje vazduhom potrebna je vazдушna pumpa ili uređaj za pumpanje pneumatika sa pokazivačem pritiska (manometrom).

1. Odvrnite zaštitni poklopac.
2. Postavite vazдушnu pumpu ili uređaj za pumpanje za pneumatike na ventil ekspanzione posude i pumpajte vazduh dok se na manometru ne prikaže vrednost od oko 1,6 +/- 0,2 bara.
3. Ponovo zavrnite zaštitni poklopac.

#### 12. GARANCIJA



**Bilo kakva promena koja nije prethodno ovlašćena, oslobađa proizvođača od bilo kakve odgovornosti. Svi rezervni delovi korišćeni u popravkama moraju da budu originalni i sva dodatna oprema mora da bude ovlašćena od strane proizvođača da bi se mogla garantovati maksimalna bezbednost mašina i postrojenja na kojima one mogu da budu montirane.**

Ovaj proizvod pokriven je legalnom garancijom (u Evropskoj zajednici rok je 24 meseca od datuma kupovine) koja se odnosi na sve defekte nastale greškama u proizvodnji ili zbog korištenog materijala.

Proizvod u garantnom roku može da bude, prema potrebi, zamenjen proizvodom u savršenom radnom stanju ili besplatno popravljen ako se poštuju sledeći uslovi:

- proizvod je korišten na pravilan način i u skladu sa uputstvima i kupac ili treće osobe nisu pokušali da ga poprave ni na koji način;
- proizvod je predat prodajnom mjestu, uz prilog dokumenta koji potvrđuje njegovu kupovinu (faktura ili fiskalni račun) i kratkog opisa problema.

Rotor i delovi podložni trošenju nisu pokriveni garancijom. Intervencija u garantnom roku ni u kom slučaju ne produžuje početni period.

# INNEHÅLLSFÖRTECKNING

1. ANVÄNDNINGSSOMRÅDEN .....	133
2. VÄTSKOR SOM KAN PUMPAS.....	133
3. TEKNISKA DATA OCH ANVÄNDNINGSBEGRÄNSNINGAR .....	133
4. HANTERING .....	134
4.1 Förvaring .....	134
4.2 Transport.....	134
4.3 Vikt och mått.....	134
5. SÄKERHETSFÖRESKRIFTER .....	134
6. INSTALLATION .....	135
7. ELANSLUTNING.....	135
8. START.....	135
9. FÖRSIKTIGHETSÅTGÄRDER .....	136
10 UNDERHÅLL OCH RENGÖRING .....	136
10.1 Rengöring av insugningsfiltret .....	136
10.2 Rengöring av backventil .....	136
11. FELSÖKNING .....	136
PÅFYLLNING AV LUFT I EXPANSIONSKÄRLET .....	137
12. GARANTI .....	137

## VARNINGSFÖRESKRIFTER



Läs hela bruksanvisningen noggrant före installationen.



Dra alltid ut stickkontakten ur eluttaget före ingrepp på pumpen. Torrkörning är förbjuden.



Skydda elpumpen mot väder och vind.



Överbelastningsskydd. Pumpen är utrustad med en termosäkring. Om motorn blir överhettad stänger termosäkringen av pumpen automatiskt. Det tar ca. 15 - 20 min. för pumpen att svalna och därefter startar den igen automatiskt. Om termosäkringen löser ut måste du ta reda på orsaken till detta och åtgärda felet. Konsultera felsökningstabellen.

## 1. ANVÄNDNINGSSOMRÅDEN

Självsugande centrifugalpumpar med stråle och ypperlig sugkapacitet även då vattnet innehåller gas. Framförallt avsedd för vattentillförsel och tryckstegring på lantställen. Lämpar sig för mindre köksträdgårdar, trädgårdsbruk, som nödpumpar för hushållsbruk och hobbybruk i allmänhet. Tack vare pumparnas kompakta och lätthanterliga utformning går de även att använda som nödpumpar för transportabel användning som t.ex. för tappning av vatten från behållare eller vattendrag.



Dessa pumpar kan inte användas i simbassänger, dammar, bassänger i närvaro av personer eller för pumpning av kolväte (bensin, diesel, eldningsolja, lösningsmedel o.s.v.) i enlighet med gällande olycksförebyggande standard. Rengör dem gärna före avställningen. Se kapitel Underhåll och rengöring.

## 2. VÄTSKOR SOM KAN PUMPAS

Ren utan fasta eller slipande partiklar, och ej aggressiv.

Rent vatten	•
Dagvatten (filtrerat)	•
Spillvatten	○
Smutsigt vatten	○
Fontänvatten (filtrerat)	•
Flod- eller sjövattnet (filtrerat)	•
Dricksvatten	•

Tabell 1

- Lämplig
- Ej lämplig

## 3. TEKNISKA DATA OCH ANVÄNDNINGSBEGRÄNSNINGAR

- **Matningsspänning: 230V**, Se märkplåten över elektriska data
- **Tröga säkringar för elledning (230V versionen):**  
Ungefärliga värden (Ampere)

Modell	Säkringar för elledning 230V 50Hz
P1= 850 W	4
P1= 1.100 W	6

Tabell 2



- **Förvaringstemperatur: -10°C +40°C**

	Modell	P1=850W	P1=1100W
Elektriska data	P1 Nominell effektförbrukning [W]	850	1100
	P2 [W]	600	750
	Nätspänning [V]	1 ~ 220-240 AC	
	Nätfrekvens [Hz]	50	
	Ström [A]	3.88	4.58
	Kondensator [µF]	12.5	16
	Kondensator [Vc]	450	
Elektriska data	Max. flöde [L/h]	3.180	3.750
	Max. uppfodringshöjd [m]	43	45
	Max. uppfodringshöjd [bar]	4.3	4.5
	Max. tryck [bar]	6	
	Max. insugningsdjup [m/min]	8 m / < 3min	
	Starttryck [bar]	1.8	
	Stopptryck [bar]	3.2	
	Tryckindikator	Manometer	Manometer
Användningsområde	Nätkabelns längd [m]	1.5	
	Typ av kabel	H07 RNF	
	Skyddsgrad för motor	IP X4	
	Isoleringsklass	F	
	Temperaturområde för vätska [°C] enligt SS-EN 60335-2-41 för hushållsbruk	0 °C / +35 °C	
	Max. kornstorlek [mm]	rent vatten	
	Max. omgivningstemperatur [°C]	+40 °C	
Vikt	DNM GAS	1" M	
	Ungefärlig netto-/bruttovikt [kg]	14/16.6	14.8/17.4

Tabell 3



**Pumpen klarar inte rörledningarnas vikt. Rörledningarna måste därför stödjas på annat sätt.**

#### 4. HANTERING

##### 4.1 Förvaring

Alla pumpar måste förvaras på en plats som är övertäckt, torr och med så konstant luftfuktighet som möjligt, samt fri från vibrationer och damm. Pumparna levereras i sina originalemballage, där de ska förvaras fram till installationstillfället.

##### 4.2 Transport

Undvik att utsätta produkterna för onödiga stötar och kollisioner.

##### 4.3 Vikt och mått

Klistermärket på emballaget anger elpumpens totala vikt och mått.

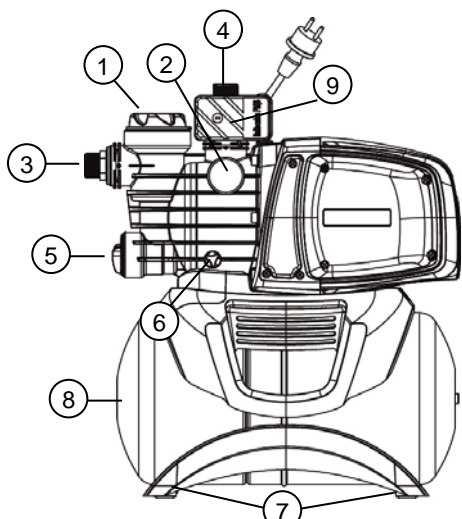
#### 5. SÄKERHETSFÖRESKRIFTER



**Pumparna får aldrig transporteras, lyftas eller startas hängandes i nätkabeln. Använd det därtill avsedda handtaget.**

- Pumpen får aldrig torrköras.

## 6. INSTALLATION



- 1 Förfilter
- 2 Manometer
- 3 Riktbar koppling på sugsidan
- 4 Koppling på trycksidan
- 5 Inbyggd backventil
- 6 Tömningsplugg
- 7 Vibrationsdämpande stödfötter av gummi
- 8 Behållare på 18 L
- 9 Flödesvakt

Installera elpumpen på en plats som är skyddad från väder och vind och med en omgivningstemperatur på max. 40 °C.

Pumpen är utrustad med vibrationsdämpande stödfötter. Vid fast installation går det att ta bort dem och utföra en förankring vid stödbasen (7).

Undvik att rörledningarna belastar pumpens munstycken (3) och (4). Detta för att undvika deformationer eller skador.

**Enligt gällande norm bör pumpen placeras så nära pumpvätskan som möjligt.**

Pumpen ska endast installeras horisontellt.

Rörledningarna får aldrig ha mindre innerdiameter än elpumpens munstycken och munstyckena på sugsidan. Pumpen är utrustad med filter (1) och backventil (5).

Vid en sughöjd på över 4 meter eller vid längre horisontella sträckor rekommenderas en sugledning med en diameter större än elpumpens inloppsanslutning. För att undvika luftansamlingar i sugledningen bör denna placeras lätt lutande upp mot elpumpen. Fig.2

Om sugledningen är tillverkad av gummi eller böjligt material ska du alltid kontrollera att den är förstärkt och vakuumsäker för att undvika sammandragningar p.g.a. sugeffekten.

Vid fast installation rekommenderas det att montera en avstängningsventil på både sug- och trycksidan. Den används för att stänga av ledningen uppströms och/eller nedströms. Det är praktiskt i samband med underhåll och rengöring eller de perioder då pumpen inte används.

Pumpen är utrustad med vridbara in- utlopp (3 och 4) för att underlätta installationen.

Om det används slangar ska det vid behov användas en rörböj (fig. 1) och trädgårdssatsen som består av en rörledning av polyeten och kopplingsatsen med munstycke (medföljer inte men kan köpas separat).

Om det förekommer smuts med mycket små dimensioner rekommenderas det att utöver det inbyggda filtret (1) använda ett filter för pumpinloppet som ska monteras på sugledningen.

- Starta inte motorn ett överdrivet antal gånger per timme. Det rekommenderas å det bestämdaste att inte överskrida 20 starter per timme.



**Sugledningens diameter ska vara större än eller lika med diametern på elpumpens munstycke (se tabell 3).**

## 7. ELANSLUTNING



Kontrollera att nätspanningen överensstämmer med motorns märkplåt och att ANLÄGGNINGEN ÄR ANSLUTEN TILL ETT JORDAT UTTAG. **Följ anvisningarna på märkplåten och i denna bruksanvisning (tabell 3).**

**Längden på elpumpens nätkabel bestämmer installationsavståndet. Om det krävs en förlängningssladd ska du försäkra dig om att den är av samma typ (t.ex. H05 RN-F eller H07 RN-F beroende på installationen). Se tabell.3.**

## 8. START



Starta inte pumpen förrän den har fyllts helt med vätska (ca 4 liter) och vätskan rinner ut från avluftningspluggen (2).

Om vattnet tar slut ska stickkontakten omedelbart dras ut ur eluttaget så att pumpen stängs av. Undvik torrkörning.

1. Kontrollera att pumpen är korrekt fylld innan den startas. Ta bort påfyllningspluggen på det genomskinliga filtret (1) för hand eller med det därtill avsedda medföljande verktyget. Fyll därefter pumpen helt med rent vatten genom det därtill avsedda hålet. Öppna samtidigt avluftningspluggen (2) för att avlufta. Detta är nödvändigt för pumpens korrekta drift och smörjning av mekaniska tätningar. **Körning av pumpen utan vatten orsakar allvarliga skador på mekaniken.**
2. Påfyllningspluggen ska därefter dras åt noggrant till stoppläget (1) och så även avluftningspluggen (2).
3. Sätt i nätkabelns stickkontakt i ett 230 V eluttag. **Observera!** Pumpmotorn startar omedelbart och vattnet börjar att rinna ut efter max. 3 minuter. Tiden beror på vattennivån i brunnen eller cisternen.
4. Pumpen stannar automatiskt när max. tryck uppnås. Pumpen startar automatiskt om det används vatten och trycket sjunker under min. tryck. Se tabell 3.

5. Stäng av pumpen slutgiltigt genom att dra ut nätkabelns stickkontakt ur eluttaget.



Vid problem med fyllning av pumpen upprepar du momentet tills all luft i insuget är borta.

## 9. FÖRSIKTIGHETSÅTGÄRDER

**FROSTRISK:** När pumpen står oanvänd vid en temperatur under 0 °C är det nödvändigt att försäkra sig om att det inte finns något vatten kvar i pumpen som kan skapa sprickor i plastkomponenterna när vattnet fryser.

Om pumpen används med ämnen som har en tendens att ge avlagringar, eller med klorerat vatten, ska pumpen spolav med en kraftig vattenstråle efter användning för att undvika att avlagringar och förhårdnader bildas som kan reducera pumpens prestanda.

## 10 UNDERHÅLL OCH RENGÖRING

Elpumpen kräver inget underhåll vid normal användning. Pumpen ska alltid fränkopplas från eltilförseln vid alla reparationer och underhåll. Försäkra dig om att pumpen har återmonterats fackmannamässigt när den ska startas om för att inte orsaka sak- och personskador.

### 10.1 Rengöring av insugningsfiltret

(Fig.3)

- Fränkoppla pumpen från eltilförseln.
- Töm pumpen genom att stänga slussventilerna uppströms (beroende på modell) och därefter öppna tömningspluggen (6).
- Skruva loss filterkammarens lock för hand eller med det därtill avsedda medföljande tillbehöret.
- Dra ut filterenheten uppifrån.
- Skölj bågaren under rinnande vatten och rengör filtret med en mjuk borste.
- Återmontera filtret genom att utföra momenten i omvänd ordning.

### 10.2 Rengöring av backventil

(Fig.4)

- Fränkoppla pumpen från eltilförseln.
- Ta bort pluggen på backventilen (5) med det medföljande tillbehöret.
- Ta bort backventilen och rengör den från ev. smuts (fig. 9)
- Montera delarna i omvänd ordning mot nedmonteringssekvensen.

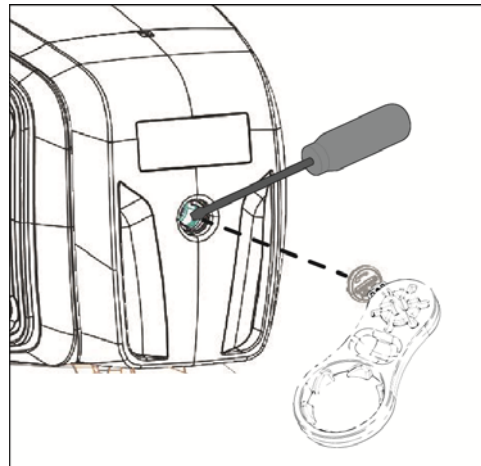
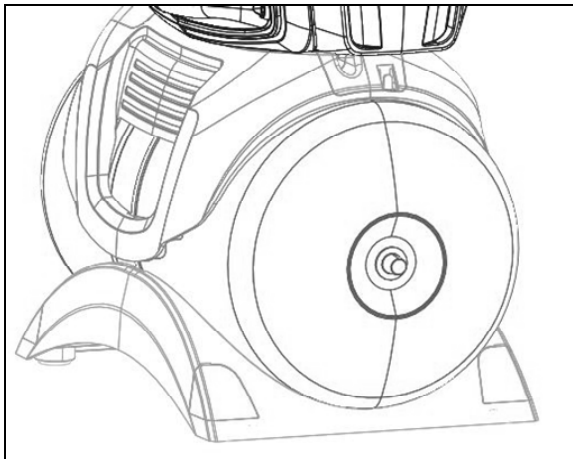
## 11. FELSÖKNING



Innan felsökningen påbörjas måste du koppla bort pumpens elanslutning (dra ut stickkontakten ur eluttaget). Vid skador på elkabeln eller någon av pumpens elektriska komponenter ska reparationer och byten av delar ombesörjas av tillverkaren eller en auktoriserad serviceverkstad eller av en person med likvärdig behörighet. Detta för att undvika risk för skador.

FEL	KONTROLL MÖJLIGA ORSAKER)	ÅTGÄRD
1. Motorn startar inte och ger inget ljud ifrån sig.	A. Kontrollera elanslutningarna. B. Kontrollera att motorn har rätt spänning. C. Kontrollera säkringarna.. D. Överhettningsskyddet har ev. utlösts.	C. Byt ut dem om de har gått sönder. D. Vänta ca 20 minuter tills motorn har svalnat. Hitta orsaken och åtgärda den. <b>OBS!</b> Om felet upprepas omedelbart innebär detta att motorn har kortslutits.
2. Motorn startar inte, men ger ljud ifrån sig.	A. Kontrollera att nätspänningen överensstämmer med värdet på märkplåten. B. Kontrollera att motor och pump inte blockeras av något föremål. C. Kontrollera att axeln inte är blockerad. D. Kontrollera kondensatorns tillstånd..	B. Eliminera eventuella hinder. C. Skruva loss locket med det medföljande verktyget och frigör axeln med en skruvmejsel. D. Byt ut kondensatorn.
3. Motorn har svårt att gå runt.	A. Kontrollera att nätspänningen är korrekt.. B. Kontrollera att inga rörliga och fasta delar ligger an mot varandra.	B. Åtgärda felet.
4. Pumpen pumpar inte.	A. Pumpen har inte fyllts enligt anvisningarna. B. ugledningen har en otillräcklig diameter. C. Backventilen eller filtret är igensatt.	A. Fyll pumpen med vatten och utför fyllningen. Avlufta med avluftningspluggen. B. Byt röret mot ett annat med en större diameter.. C. Rengör filtret och, om det inte är tillräckligt, även backventilen.
5. Pumpen fylls inte.	A. Luftinsug genom sugledningen. B. Sugledningen har en felaktig lutning och luftansamlingar bildas.	A. Åtgärda fenomenet genom att kontrollera att kopplingarna och sugledningen är täta. Upprepa fyllningen. B. Korrigera lutningen.

FEL	KONTROLL MÖJLIGA ORSAKER)	ÅTGÄRD
6. Pumpen pumpar otillräckligt.	A. Sugledningen är igensatt. B. Pumphjulet är slitet eller tilltäppt. C. Sugledningen har en för liten diameter.	A. Rengör sugledningen. B. Åtgärda tilltappningen eller byt ut slitna delar. C. Byt röret mot ett annat med större diameter.
7. Pumpen startar och stannar för ofta.	A. Expansionskärlets membran är skadat. B. Expansionskärlets tryck är för lågt.	A. Membranet ska bytas ut av en auktoriserad serviceverkstad. B. Trycksätt expansionskärlet med upp till 1,6 +0,2 bar. Se tabell 3.
8. Pumpen vibrerar och för oväsen..	A. Kontrollera att pumpen och rören är ordentligt fastsatta. B. Pumpen försöker pumpa mer vatten än vad som finns tillgängligt. C. Pumpen arbetar utanför arbetsområdet angivet på märkplåten.	A. Sätt fast de lösa delarna ordentligt. B. Minska sughöjden eller kontrollera effektförlusterna. C. Det kan vara nödvändigt att begränsa vattenflödet.



#### PÅFYLLNING AV LUFT I EXPANSIONSKÄRLET

Trycket i expansionskärlet ska vara ca 1,6 +0,2 bar. Det utförs en förbelastning på fabriken vilket innebär att det inte behöver göras något vid den första starten.

Det krävs en tryckluftspump eller en anordning för pumpning av däck med tryckindikator (manometer) för påfyllningen av luft.

1. Skruva loss skyddslocket.
2. Anslut tryckluftspumpen eller anordningen för pumpning av däck till expansionskärlets ventil och pumpa in luft tills manometern anger ca 1,6 +0,2 bar.
3. Skruva tillbaka skyddslocket.

#### 12. GARANTI



**Alla ej auktoriserade ändringar befriar tillverkaren från allt ansvar. Alla reservdelar som används vid reparationer måste vara original och alla tillbehör måste godkännas av tillverkaren, så att de kan garantera maximal säkerhet för de maskiner och anläggningar där de ska monteras.**

Denna produkt täcks av en lagstadgad garanti (i europeiska unionen i 24 månader från inköpsdatumet) avseende samtliga fabrikations- och materialfel.

Produkten som omfattas av garantin kan, på tillverkarens inrådan, antingen bytas ut mot en i perfekt funktionsskick eller repareras gratis om följande villkor är uppfyllda:

- Produkten har använts korrekt och enligt anvisningarna och inga reparationsförsök har utförts av köparen eller tredje man.
- Produkten har lämnats in till inköpsstället tillsammans med dokumentet som bekräftar köpet (faktura eller kvitto) och en kort beskrivning av det påträffade felet.

Rotorn och slitdelarna omfattas inte av garantin. Garantiåtgärder förlänger aldrig i något fall den ursprungliga garantiperioden.

## İÇİNDEKİLER

1. UYGULAMALAR.....	138
2. POMPALANABİLİR SIVILAR.....	138
3. TEKNİK VERİLER VE KULLANIM SINIRLANDIRMALARI.....	139
4. İŞLETME .....	139
4.1 Depolama.....	139
4.2 Nakledilme.....	139
4.3 Ağırlık ve ölçüler.....	139
5. UYARILAR .....	139
6. KURMA .....	140
7. ELEKTRİK BAĞLANTISI.....	140
8. ÇALIŞTIRMA.....	140
9. TEDBİRLER .....	141
10. BAKIM VE TEMİZLİK .....	141
10.1 Emme filtresinin temizliği.....	141
10.2 Çek valf temizliği.....	141
11. ARIZA TESPİTİ .....	141
GENLEŞME TANKINI HAVA İLE DOLDURMA.....	142
12. GARANTİ .....	142

## UYARILAR



Kurulumu başlamadan önce tüm dokümantasyonu dikkatlice okuyunuz.



Herhangi bir işlemden önce fişi çekiniz. Pompanın kuru çalıştırılmasından kesinlikle kaçınılmalıdır.



Elektro pompayı bozuk hava durumlarından koruyunuz.



**Aşırıyükten koruma.** Pompa termik bir motor aşırı yük koruması ile donatılmıştır. Motorun aşırı ısınması durumunda motor aşırı yük koruması otomatik olarak pompayı kapatır. Soğuma süresi yaklaşık 15-20 dakikadır, daha sonra pompa otomatik olarak açılır. Motor aşırı yük korumasının müdahalesinden sonra duruş sebebinin kesinlikle araştırılması ve giderilmesi gerekir. Bakınız Arıza Araştırma.

## 1. UYGULAMALAR

Kendinden emişli jet santrifüj pompalar, gazlı suyun bulunduğu durumlarda bile mükemmel emme kabiliyeti var. Özellikle, su temini ve kırsal alan basınçlandırma da kullanım için tavsiye edilir. Küçük tarım işlerinin yapılacağı tarla ve bahçeler için, evlerde acil durum ihtiyaçları ve her türlü hobi işleri için uygundur. Kompakt ve kullanışlı şekli sayesinde depolardan veya nehirlerden su çekilmesi gibi acil durumlarda taşınabilir pompa olarak da uygulama alanı bulmaktadır.



**Bu pompalar, konuya ilişkin yürürlükte bulunan kaza önleme yönetmeliklerine göre havuzlarda, durgun sulara, içinde insan bulunan su havzalarında veya hidrokarbonların (benzin, gaz yağı, mazot, eritici sıvılar) pompalanması için kullanılamaz. Yerleştirilmeden önce temizlik prosedürü öngörmek iyi bir kural olacaktır. “Bakım ve Temizlik” bölümüne bakınız.**

## 2. POMPALANABİLİR SIVILAR

Temiz, katı veya aşındırıcı cisimleri bulunmayan, sert olmayan.

Tatlı sular	•
Yağmur suyu (filtrelenmiş)	•
Berrak atık sular	○
Pis sular	○
Çeşme suyu (filtrelenmiş)	•
Nehir veya göl suları (filtrelenmiş)	•
İçme suyu	•

Tablo 1

- Uygun
- Uygun değil

## TÜRKÇE

### 3. TEKNİK VERİLER VE KULLANIM SINIRLANDIRMALARI

- **Besleme gerilimi: 230V**, elektrik verileri etiketine bakınız
- **Geciktirilmiş hat sigortaları (versiyon 230V):** Takribi değerler (Amper)
- **Depolama sıcaklığı:** -10°C +40°C

Model	230V 50Hz hat sigortaları
P1= 850 W	<b>4</b>
P1= 1.100 W	<b>6</b>

Tablo 2

	Model	P1=850W	P1=1100W
Elektrik verileri	P1 Nominal Çekilen güç [W]	850	1100
	P2 [W]	600	750
	Şebeke voltajı [V]	1 ~ 220-240 AC	
	Şebeke frekansı [Hz]	50	
	Akım [A]	3.88	4.58
	Kondansatör [µF]	12.5	16
	Kondansatör [Vc]	450	
Hidrolik veriler	Maks. kapasite [l/dak]	3.180	3.750
	Maks. basma yüksekliği [m]	43	45
	Maks. basma basıncı [bar]	4.3	4.5
	Maks. basınç [bar]	6	
	Maks. emiş derinliği [m/min]	8 m / < 3min	
	Açılma basıncı [bar]	1.8	
	Kapanma basıncı [bar]	3.2	
	Basınç göstergesi	Manometre	Manometre
Kullanım alanı	Besleme kablosu uzunluğu [m]	1.5	
	Kablo tipi	H07 RNF	
	Motor koruma derecesi	IP X4	
	İzolasyon sınıfı	F	
	Sıvı sıcaklık aralığı [°C] Evde kullanım için EN 60335-2-41 standardına	0 °C / +35 °C	
	Maks. partikül ebatı [mm]	temiz su	
	Maks. Ortam sıcaklığı [°C]	+40 °C	
Ağırlık	DNM GAS	1" M	
	Net/Brüt ağırlık yaklaşık [kg]	14/16.6	14.8/17.4

Tablo 3



**Pompa, farklı bir şekilde desteklenmesi gereken boruların ağırlığını taşıyamaz.**

#### 4. İŞLETME

##### 4.1 Depolama

Tüm pompalar kapalı, kuru ve hava nemi mümkün olduğunca sabit olan, titreşim ve toz bulandırmayan mekânlarda depolanmalıdır. Kurulma anına kadar içinde kalmaları gereken orijinal ambalajları içinde teslim edilirler.

##### 4.2 Nakledilme

Ürünlerin gereksiz darbe ve çarpışmalara maruz kalmasından kaçınınız.

##### 4.3 Ağırlık ve ölçüler

Ambalaj üzerindeki yapışkan etikette elektro pompanın toplam ağırlığı ve ebatları yer almaktadır.

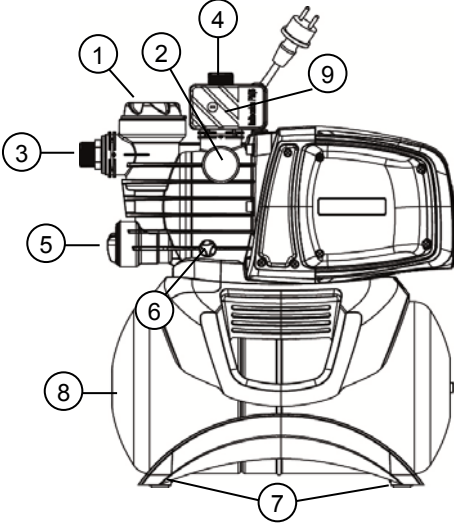
#### 5. UYARILAR



**Pompalar kesinlikle besleme kablosu kullanılarak asılı halde taşınmamalı, kaldırılmamalı veya çalıştırılmamalıdır; hususi kolu kullanınız.**

- Pompa asla kuru çalıştırılmamalıdır. • İmalatçı Firma, pompanın kurcalanmış veya tadil.

## 6. KURMA



- 1 Ön filtre
- 2 Manometre
- 3 Ayarlanabilir emme bağlantısı
- 4 Besleme bağlantısı
- 5 Entegre edilmiş çek valf
- 6 Boşaltma tıpası
- 7 Titreşim önleyici kauçuk ayaklar
- 8 18 litrelik depo.
- 9 Akış şalteri

Elektro pompa hava şartlarından korunaklı ve sıcaklığı 40°C'yi aşmayan bir yere kurulmalıdır.

Pompa titreşim önleyici ayarlarla donatılmıştır fakat sabit kurulum söz konusu olduğunda bu ayakları çıkarmak ve dayama temelini ankarajlamak mümkündür (7).

Deformasyon ya da bozuklukların oluşmaması için boruların pompa ağızlıklarına aşırı yük aktarmasını önleyiniz (3) ve (4).

### Pompayı pompalanacak sıvıya mümkün olduğu kadar yakın bir yerde yerleştiriniz.

Pompa yalnızca yatay durumda yerleştirilmelidir.

Boruların iç çapı kesinlikle elektro pompanın emişteki ağızlık çaplarından daha küçük olmamalıdır ve pompa filtre (1) ve çek valf (NRV) (5) ile donatılmıştır.

Emme derinliği dört metreyi aşarsa ya da uzun yatay borular halinde çapı elektrikli pompanın emme ağız çapından büyük olan bir emme borusunun kullanılması tavsiye edilir. Emme borusunun içinde hava heybelerinin oluşmasını önlemek için emme borusunu elektrikli pompaya doğru biraz eğiniz. Şekil 2

Emiş borularının lastik veya fleksi bir malzemeden olması durumunda emiş etkisiyle büzülmesini engellemek için her zaman vakuma dayanıklı bir şekilde güçlendirilmiş tip olduğunu kontrol ediniz.

Sabit kurulum yapılması durumunda gerek emiş gerekse besleme tarafına bir valf monte edilmesi tavsiye edilir. Bu valf, tüm bakım ve temizlik işlemleri için veya pompanın kullanılmadığı zamanlarda pompanın yararlı aşağı ve/yukarı hattının kapatılmasını sağlar. Pompa kurulumunu kolaylaştırmak için döner girişle donatılmıştır (3) ve (4).

Fleksi boruların kullanılması durumunda gerekirse şek.1'deki gibi kavis parça ve PE (polietilen) hortumlardan oluşan bahçe kitini ve marpuçlu rekor kitini kullanınız, bunlar tedarikle birlikte verilmez fakat ayrıca satın alınabilir. Küçük ebatlardaki pislik olması durumunda pompa girişine entegre edilmiş filtreden (1) başka bir filtre takılması tavsiye edilir.

- Motoru aşırı çalıştırma/uzun çalışma saatlerine maruz bırakmayınız, kesinlikle 20 çalıştırma/saati geçmemelidir.



**Emiş borusunun çapı elektro pompa ağız çapından daha büyük veya aynı olmalıdır, bakınız Tablo 3.**

## 7. ELEKTRİK BAĞLANTISI



Beslenecek motorun etikette yazılı gerilimi ile elektrik şebeke geriliminin birbirlerine uygun olduklarını, ETKİLİ BİR TOPRAK BAĞLANTISINI GERÇEKLEŞTİRMENİN MÜMKÜN OLDUĞUNU kontrol ediniz. **Teknik etikette ve bu kılavuzdaki Tablo 3'de yer alan gösterge değerlerine uyunuz.**

**Pompa üzerindeki besleme kablosunun uzunluğu kurulum mesafesini sınırlandırır, uzatma kablosu kullanılması gerektiğinde aynı tip kablo olduğundan emin olunuz** (kurulumu göre örn.H05 RN-F veya H07 RN-F) bakınız tablo 3.

## 8. ÇALIŞTIRMA



Tamamen sıvı ile doldurmadan -yaklaşık 4 litre- pompayı çalıştırmayınız.

Su kaynağının bitmesi durumunda pompayı kapatarak hemen fişi çekiniz. Kuru çalışmayı önleyiniz.

1. Çalıştırmaya başlamadan önce pompanın elle veya tedarik ile birlikte verilen özel araç yardımıyla şeffaf filtrenin boşaltma tıpasını (1) çıkardıktan sonra hususi deliğinden temiz su ile düzgün bir şekilde ve tamamen doldurulduğunu kontrol ediniz. Bu işlem, pompanın mükemmel çalışması ve mekanik keçenin iyice yağlanmış olmaya devam etmesi için son derece önemlidir. **Pompa susuz çalıştırılarak mekanik keçeğe onarılamaz zararlar verilebilir.**
2. Doldurma tıpası stop'a (1) kadar dikkatli bir şekilde tekrar vidalanarak kapatılmalıdır.
3. Besleme kablosunun fişini 230 V'luk bir prize takınız. **Dikkat!** Pompa motoru hemen harekete geçecektir, su seviyesinin, kuyunun veya sarnıcın derinliğine bağlı olarak en fazla 3 dakikalık süre geçtikten sonra su çıkmaya başlayacaktır.
4. Maksimum basınca ulaştığında pompa otomatik olarak devreden çıkar. Su kullanarak basınç minimum basınca iniyorsa pompa otomatik olarak devreye girer. Bakınız Tab.3.
5. Pompayı tamamen kapatmak için besleme kablosunun fişini çekiniz.



Besleme konusunda sorunlarınız varsa, emiştaki tüm hava kaybolana dek işlemi tekrar edin.

## 9. TEDBİRLER

**DONMA TEHLİKESİ:** Pompa 0°C derece altında sıcaklıklarda çalışmadan kaldığında, donduklarında plastik kısımlarının çatlamasına sebep olabilecek su artıklarının bulunmadığının kontrol edilmesi zorunludur.

Pompanın birikme eğilimi gösteren maddelerle kullanılmış olması halinde, pompanın özelliklerini azaltma eğilimi gösteren birikintilerin veya tufalların oluşmasını önlemek üzere kullanımdan sonra pompayı kuvvetli bir su jeti ile durulayınız.

## 10. BAKIM VE TEMİZLİK

Normal işlemede elektro pompanın herhangi bir tip bakıma ihtiyacı yoktur. Her halükarda tüm onarım ve bakım müdahaleleri sadece pompanın besleme şebekesi ile bağlantısı kesildikten sonra yapılmalıdır. Tekrar başlatıldığında eşyaların ve kişilerin zarar görmemesi için pompanın tam olarak monte edilmiş olduğundan emin olunuz.

### 10.1 Emme filtresinin temizliği

#### (Şek 3)

- Pompanın elektrik beslemesini devreden çıkarınız.
- Öncelikle yukarı hatta bulunan savak vanalarını (varsa) kapatarak boşaltma tıpasını (6) açınız ve pompanın drenajını yapınız.
- Elle veya tedarik ile birlikte verilen özel aksesuar yardımıyla filtre bölmesinin kapağını açınız.
- Üstten filtre ünitesini çıkarınız.
- Bardağı akan suda durulayınız ve yumuşak bir fırça ile filtreyi temizleyiniz.
- İşlem sırasını tersten izleyerek filtreyi tekrar monte ediniz.

### 10.2 Çek valf temizliği

#### (Şek 4)

- Pompanın elektrik beslemesini devreden çıkarınız.
- Tedarik ile birlikte verilen özel aksesuar yardımıyla çek valfin tıpasını (5) çıkarınız.
- Çekvalfi çıkarınız ve pislik varsa temizleyiniz şek.9.
- Parçaları sökme işlemi ters sırayla izleyerek tekrar yerine monte ediniz.

## 11. ARIZA TESPİTİ



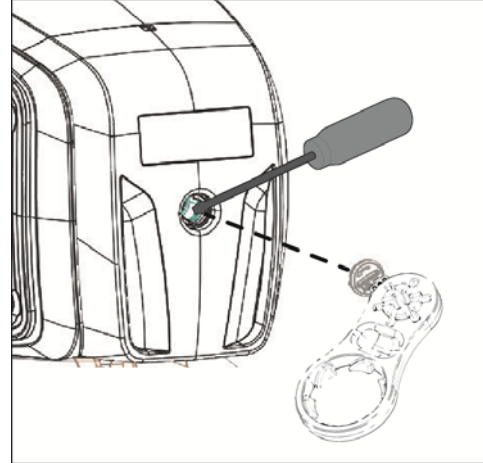
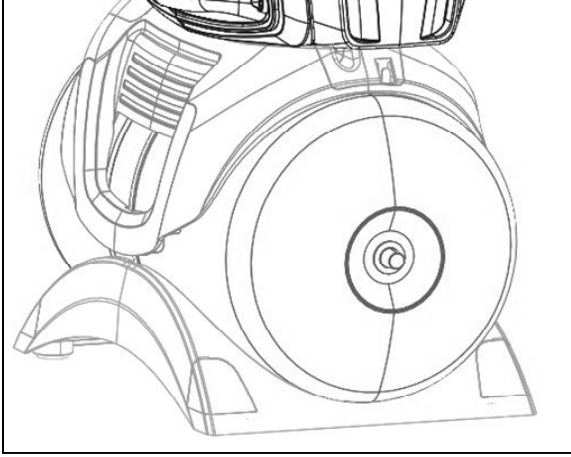
**Arızanın araştırmasına başlamadan önce pompanın elektrik bağlantısının kesilmesi gerekir (fişi prizden çekiniz). Besleme kablosu veya pompanın herhangi bir elektrik aksamı zarar görmüş ise onarım veya parça değiştirme işlemi imalatçı veya imalatçının teknik servisi veya her türlü riski önleyecek şekilde bilgi donanımına sahip kalifiye kişiler tarafından yapılmalıdır.**

ARIZA	KONTROL (mümkün sebepler)	ÇÖZÜM
1. Motor hareket etmiyor ve gürültü yapmıyor.	A. Pompanın elektrikle bağlantılarını kontrol ediniz. B. Gerilimin olduğunu kontrol ediniz. C. Sigortaları kontrol ediniz. D. Olası termik koruma müdahalesi.	C. Sigortalar yanmış ise yenisi ile değiştirilecektir. D. Motor soğuyuncaya kadar yaklaşık 20 dakika bekleyiniz. Nedenini tespit ediniz ve gideriniz. Buna rağmen sigortalar hemen yanarsa motor kısa devre durumunda bulunur.
2. Motor hareket etmemesine rağmen gürültü yapıyor.	A. Etiketde yazılı gerilim ile besleme geriliminin birbirlerine uygun olduklarını kontrol ediniz. B. Pompanın veya motorun tıkanıklıklarının bulunup bulunmadığını kontrol ediniz. C. Milin bloke etmemiş olduğunu kontrol ediniz. D. Kondansatör durumunu kontrol ediniz.	B. Sıkışıklığı gideriniz. C. Kapağı gevşetmek için tedarik ile birlikte verilen aleti kullanınız ve bir tornavida ile de mili gevşetiniz. D. Kondansatörü yenisi ile değiştiriniz.
3. Motor güçlükle dönüyor.	A. Besleme geriliminin yetersiz olmadığını kontrol ediniz.. B. Hareketli parçaların sabit parçalara dokunup dokunmadığını kontrol ediniz.	B. Temasin sebeplerini ortadan kaldırınız..
4. Pompa dağıtım yapmıyor.	A. Pompa, doğru biçimde çalışmaya hazır değildir.. B. Çapı yetersiz olan bir emme borusu kullanılıyor. C. Çek valf veya filtre tıkalı.	A. Pompayı suyla doldurunuz ve hava boşaltma tıpasını gevşeterek havanın çıkmasına dikkat ederek emiş işlemi gerçekleştiriniz. B. Emme borusunu daha büyük çapı olan yenisi ile değiştiriniz. C. Filtreyi tekrar temizleyiniz ve yeterli değilse çek valfi de temizleyiniz.



## TÜRKÇE

ARIZA	KONTROL (mümkün sebepler)	ÇÖZÜM
5. Pompa su ile dolmuyor.	A. Emiş borusu vasıtasıyla hava emişi. B. Emme borusunun eğimi hava kabarcık oluşumunu kolaylaştırıyor.	A. Bağlantıların ve emiş borularının sızdırmazlığını kontrol ederek nedeni ortadan kaldırınız ve emiş işlemini tekrar ediniz. B. Emme borusunun eğimini düzeltiniz.
6. Debi indirimlidir.	A. Emiş borusu tıkalı. B. Pompa dişlisi aşınmış veya tıkanıktır. C. Emme borunun çapı çok küçüktür.	A. Emiş borusunu tekrar temizleyiniz. B. Pompa dişlisini yenisi ile değiştirin veya tıkanıklıklardan temizleyiniz. C. Boruyu daha büyük çapı olan yenisi ile değiştiriniz.
7. Pompa çok sık devreye giriyor ve devreden çıkıyor.	A. Genleşme tankı membranı zarar görmüş. B. Genleşme tabkı basıncı çok düşük.	A. Yetkili teknik servis tarafından membranı değiştiriniz. B. Genleşme tankını 1.6 +/-0.2 bar'a kadar doldurunuz. Bakınız Tab.3.
8. Pompa gürültü yaparak titriyor.	A. Pompa ve boruların iyi bir biçimde tespit edildiğini kontrol ediniz. B. Pompa, kavitasyon olaylarıyla çalışıyor, yani pompalayabildiği su miktarından daha çok su istiyor. C. Pompa etiketde gösterilen değerlere özen gösterilmediği bir durumda çalışıyor.	A. Gevşetilmiş parçaları tespit ediniz. B. Emme yüksekliğini azaltıp yüklemeye kaçırımlarını kontrol ediniz. C. Basma hattında pompanın dağıtımını azaltma yararlı olabilir.



### GENLEŞME TANKINI HAVA İLE DOLDURMA

Genleşme tankındaki basınç yaklaşık 1.6 +/-0.2 bar olmalıdır. Fabrikada ön dolumu yapılmıştır, dolayısıyla ilk çalıştırmada herhangi bir işlem yapılması gerekmez.

Hava dolumu için bir havalı pompa veya basınç göstergesi (manometresi) bulunan bir lastik şişirme cihazı gerekmektedir.

1. Koruma kapağının vidalarını sökünüz.
2. Havalı pompayı veya lastik şişirme cihazını genleşme tankının valfine takınız, manometre yaklaşık 1.6 +/-0.2 bar basıncını gösterene kadar pompalayınız.
3. Koruma kapağını tekrar vidalayınız.

### 12. GARANTİ



**Önceden izin verilmemiş olan her türlü değişiklik, üreticiyi her tür sorumluluktan muaf kılar. Onarımlarda kullanılan tüm yedek parçaların orijinal olması gerekir ve tüm akse-suarlar, üzerlerine takılabilecekleri makinelerin ve tesislerin maksimum güvenliğini garanti edebilecek şekilde üretici tarafından onaylanmış olmalıdır.**

Bu ürün, fabrikasyon hatası veya kullanılan malzemenin kusurlu olmasına karşı yasal garanti (Avrupa Birliğinde satın alınmasından itibaren 24 ay) kapsamındadır. Garanti kapsamındaki ürün aşağıdaki koşulları karşılaması durumunda takdire göre mükemmel durumdaki yeni bir ürün ile değiştirilebilir veya ücretsiz olarak onarımı sağlanabilir:

- ürün doğru ve talimatlara uygun bir şekilde çalıştırılmış olmalıdır ve satın alan kişiler veya üçüncü şahıslar tarafından tamir edilmeye çalışılmamış olmalıdır.
- Ürün, satın alındığını kanıtlayan belge (fatura veya resmi fiş) eklenerek ve karşılaşılan sorunun kısa bir açıklaması ile birlikte satış noktasına teslim edilmelidir.

Çark ve aşınmaya maruz parçalar garanti kapsamında değildir. Garanti kapsamında yapılan herhangi bir müdahale garanti süresini uzatmaz.

## ЗМІСТ

1. ЗАСТОСУВАННЯ .....	143
2. ТИП РІДИНИ ДЛЯ ПЕРЕКАЧУВАННЯ .....	143
3. ТЕХНІЧНІ ХАРАКТЕРИСТИКИ ТА ЕКСПЛУАТАЦІЙНІ ОБМЕЖЕННЯ.....	144
4. ПРИЙНЯТТЯ ТА ЗБЕРІГАННЯ .....	144
4.1 Прийняття на зберігання.....	144
4.2 Транспортування.....	144
4.3 Вага та розміри.....	144
5. ЗАСТЕРЕЖЕННЯ .....	144
6. УСТАНОВКА .....	145
7. ЕЛЕКТРИЧНЕ ПІДКЛЮЧЕННЯ .....	145
8. ПОЧАТОК РОБОТИ.....	145
9. ЗАСТЕРЕЖНІ ЗАХОДИ.....	146
10. ДОГЛЯД ТА ТЕХНІЧНЕ ОБСЛУГОВУВАННЯ.....	146
10.1 Чистка всмоктувального фільтра .....	146
10.2 Чистка НПК.....	146
11. ПОШУК .....	146
ЗАПОВНИТИ ПОВІТРЯМ РОЗШИРЮВАЛЬНИЙ БАЧОК.....	147
12. ГАРАНТІЯ.....	148

### ЗАСТЕРЕЖЕННЯ



Перед початком установки уважно ознайомитися з усією документацією.



Перед початком будь-яких робіт з обслуговування витягти вилку з розетки. Категорично забороняється робота насоса "всуху";.



Захищати насос від негативного впливу непогоди та інших природних явищ.



Захист від перевантаження. Насос устаткований аварійним тепло-вимикачем двигуна. У випадку перегрівання двигуна аварійний вимикач автоматично вимикає насос. Для охолодження двигуна необхідно приблизно 15-20 хв., після чого насос знову вмикається автоматично. Після активації аварійного вимикача необхідно обов'язково виявити та усунути її причину. Див. "Пошук неполадок".

### 1. ЗАСТОСУВАННЯ

Струменево-відцентрові самовсмоктуючі насоси з відмінними всмоктувальними характеристиками, в тому числі і в присутності газованої води. Призначені зокрема для водопостачання та підвищення тиску в житлових будинках. Можуть використовуватися для зрошення та поливу городів та садів незначних розмірів, в аварійних ситуаціях побутового рівня та робіт для дозвілля в цілому. Завдяки компактній, зручній для переміщення формі ці насоси застосовуються для різних призначень, в тому числі і як аварійні портативні насоси для викачування води з резервуарів або водоймищ.



Ці насоси не можна використовувати в басейнах, ставках, водоймищах у присутності людей, а також для перекачування паливних та горючих матеріалів (бензину, дизельного палива, горючих масел, розчинників та ін.) згідно відповідних норм з техніки безпеки чинного законодавства. Після їх використання, перед тим, як покласти їх на зберігання, рекомендується провести ретельний огляд та чистку. Див. розділ "Догляд та технічне обслуговування".

### 2. ТИП РІДИНИ ДЛЯ ПЕРЕКАЧУВАННЯ

Чиста, без твердих або абразивних частин, не агресивна.

Чиста вода	•
Дощова вода (фільтрована)	•
Очищена стічна вода	○
Брудна вода	○
Колодязна вода (фільтрована)	•
Вода з річки або озера (фільтрована)	•
Питна вода	•

Таблиця 1

- Призначений
- Не призначений

**3. ТЕХНІЧНІ ХАРАКТЕРИСТИКИ ТА ЕКСПЛУАТАЦІЙНІ ОБМЕЖЕННЯ**

- **Напруга живлення: 230 В**, див. паспортну табличку
- **Лінійні запобіжники з затримкою дії (версія 230 В):** індикативні значення (Ампер)
- **Температура зберігання:** від -10°C до +40°C

Модель	Лінійні плавкі запобіжники 230 В 50 Гц
P1= 850 W	4
P1= 1.100 W	6

Таблиця 2

	Модель	P1=850W	P1=1100W
Електричні характеристики	P1 Номінальна споживана потужність [Вт]	850	1100
	P2 [W]	600	750
	Напруга мережі [В]	1 ~ 220-240 AC	
	Частота мережі [Гц]	50	
	Струм [А]	3.88	4.58
	Конденсатор [µF]	12.5	16
	Конденсатор [Vc]	450	
Гідравлічні характеристики	Максим. подача [л/хв.]	3.180	3.750
	Максим. висота напору [м]	43	45
	Максим. висота напору [бар]	4.3	4.5
	Максим. тиск [бар]	6	
	Максим. глибина всмоктування [м/хв.]	8 м / < 3min	
	Тиск вмикання [бар]	1.8	
	Тиск вимикання [бар]	3.2	
	Показник тиску	Манометр	Манометр
Сфера застосування	Довжина кабелю живлення [м]	1.5	
	Тип кабелю	H07 RNF	
	Ступінь захисту двигуна	IP X4	
	Клас ізоляції	F	
	Діапазон температури рідини [°C] згідно EN 60335-2-41 для побутового застосування	0 °C / +35 °C	
	Максим. розмір домішок [мм]	чиста вода	
	Максим. температура середовища [°C]	+40 °C	
Вага	DNM GAS	1" M	
	Вага, нетто/брутто, прибрл. [кг]	14/16.6	14.8/17.4

Таблиця 3



Насос не в змозі утримувати вагу всіх трубопроводів, слід забезпечити утримання трубопроводів іншим способом.

**4. ПРИЙНЯТТЯ ТА ЗБЕРІГАННЯ**

**4.1 Прийняття на зберігання**

Всі насоси слід зберігати в сухому закритому приміщенні, зі сталим рівнем вологості, без вібрацій та пилу. Насоси поставляються у відповідній упаковці, в якій їх слід зберігати до моменту установки.

**4.2 Транспортування**

Берегти від ударів та зіткнень.

**4.3 Вага та розміри**

На упаковку наноситься клейка табличка, на якій вказані загальна вага насосу та його розміри.

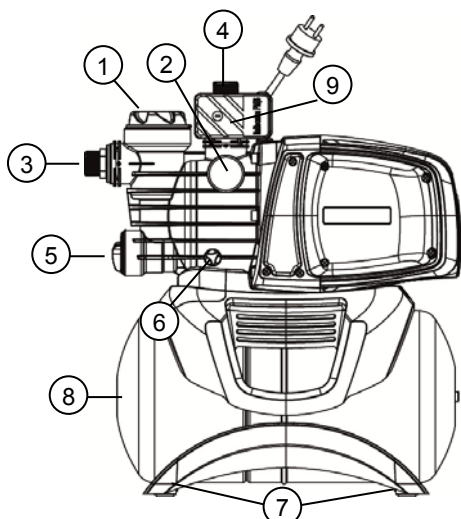
**5. ЗАСТЕРЕЖЕННЯ**



Забороняється перевозити, переміщувати, піднімати або експлуатувати насоси у підвішеному стані, використовуючи для цих дій кабель живлення; користуватися для цього відповідною ручкою.

- Забороняється робота насоса "всуху".

## 6. УСТАНОВКА



- 1 Попередній фільтр
- 2 Манометр
- 3 Поворотне з'єднання всмоктування
- 4 З'єднання подачі
- 5 Інтегрований неповоротний (запірний) клапан
- 6 Спускна пробка
- 7 Антивібраційні гумові ніжки
- 8 Резервуар на 18 л.
- 9 Регулятор витрат

Електронасос слід встановити в сухому, захищеному від негативного впливу непогоди та інших природних явищ приміщенні з температурою не вище 40 °С.

Насос устаткований антивібраційними ніжками, але у випадку постійної установки їх можна зняти і виконати фіксоване кріплення до опорної основи (7).

Уникати надмірних зусиль з боку трубопроводів на патрубках насоса (3) та (4), щоб не допустити деформації та пошкоджень.

**Завжди рекомендується встановлювати насос якомога ближче до місцезнаходження перекачуваної рідини.**

Насос слід встановлювати тільки в горизонтальному положенні.

Забороняється використання трубопроводів, внутрішній діаметр яких менше діаметру патрубків до електронасосу та на всмоктування; насос устаткований фільтром (1) та неповоротним клапаном (НПК/NRV) (5).

У випадку всмоктування з глибини більше чотирьох метрів або у випадку досить великих відстаней подачі в горизонтальному напрямку рекомендується використовувати трубу всмоктування з більшим діаметром, ніж діаметр всмоктувального патрубка електронасосу. Щоб запобігти утворенню повітряних пробок у всмоктувальній трубі, слід передбачити незначний позитивний нахил всмоктувальної труби в напрямку до електронасосу. Мал. 2 Якщо всмоктувальна труба виготовлена з гуми або з іншого гнучкого матеріалу, слід завжди попередньо перевіряти, щоб вона належала до посиленого вакуумно-резистентного типу, щоб запобігти звуженню під дією всмоктування.

При фіксованій установці рекомендується монтувати запірний клапан як з боку всмоктування, так і з боку подачі. Це дозволить перекрити лінію вище або нижче від насоса, що зручно для виконання робіт з технічного обслуговування, догляду та чистки, а також у разі випадків, коли насос не використовується.

Насос устаткований поворотними вхідними, що спрощує його установку. (3) та (4).

При використанні гнучких труб при необхідності скористатися коліном, мал.1, та спеціальним набором, що складається з ПЕ труб та фітінгів; вони не поставляються в комплекті, але їх можна придбати додатково.

У випадку наявності домішок дуже малого розміру рекомендується, крім інтегрованого фільтра (1), використовувати фільтр на вході в насос, який слід монтувати на всмоктувальній трубі.

- Уникати занадто частих вмикань двигуна на протязі години, настійно рекомендується не перевищувати 20 запусків/годину.



**Діаметр труби всмоктування повинен бути більшим або дорівнювати діаметру патрубка отвору електронасосу, див. Таблицю 3.**

## 7. ЕЛЕКТРИЧНЕ ПІДКЛЮЧЕННЯ



Переконайтеся в тому, що напруга мережі живлення відповідає вказаній на паспортній табличці двигуна, а також перевірити можливість надійного заземлення. **Дотримуватися вказівок, зазначених на заводській табличці та в таблиці 3 даного технічного посібника.**

**Довжина кабелю живлення насоса обмежує відстань його установки; в разі необхідності використання подовжувача перевірити, щоб він був того ж самого типу (напр., H05 RN-F або H07 RN-F в залежності від установки) див. Таб.3.**

## 8. ПОЧАТОК РОБОТИ



Не вмикати насос до тих пір, доки він повністю не наповниться рідиною, приблизно 4 літри.

У випадку вичерпання води слід негайно витягнути вилку з розетки, щоб вимкнути насос. Уникати роботи "всуху".

1. Перед вмиканням перевірити, щоб насос був залитий належним чином чистою водою через відповідний отвір, після зняття заливної пробки пропускного фільтра (1); перевірку здійснювати вручну або спеціальним інструментом, що надається в комплекті. Ця операція надзвичайно важлива для бездоганної роботи насоса, щоб забезпечити належне змащування механічного ущільнення. **Робота "всуху" призводить до незворотного пошкодження механічного ущільнення.**
2. Після цього слід ретельно закрити заливну пробку до упору (1).

3. Вставити вилку кабелю живлення в розетку мережі живлення з напругою 230 В. **Увага!** Двигун насоса увімкнеться негайно, вода почне подаватися максимум на протязі наступних 3 хвилин, що залежить від глибини рівня води в колодязі чи в резервуарі.
4. Після досягнення максимального тиску насос вимикається автоматично. Якщо при використанні води тиск знижується нижче мінімального рівня, насос автоматично вмикається. Див. Таб.3.
5. Щоб зовсім вимкнути насос, треба витягти вилку з розетки живлення.



Якщо виникають проблеми із заливкою, повторювати прокачку до тих пір, доки не зникне повітря на всмоктуванні.

## 9. ЗАСТЕРЕЖНІ ЗАХОДИ

**РИЗИК ЗАМЕРЗАННЯ:** якщо насос залишається в неробочу стані при температурі нижче 0 °С, слід переконатися в тому, що в ньому немає залишку води, що при замерзанні може пошкодити пластмасові частини насоса.

Після використання насоса для відведення речовин, які схильні до накопичень та відкладень, або після перекачування хлорованої води його слід промити чистою водою; для промивання скористатися сильним струменем води, щоб запобігти утворенню відкладень, що можуть негативно вплинути на експлуатаційні характеристики насосу.

## 10. ДОГЛЯД ТА ТЕХНІЧНЕ ОБСЛУГОВУВАННЯ

При нормальних умовах експлуатації електронасос не потребує ніякого технічного обслуговування. В будь-якому разі всі роботи з ремонту та технічного обслуговування слід виконувати тільки після відключення насоса від мережі живлення. Перед тим, як знову увімкнути насос після технічного обслуговування та ремонту, слід перевірити, що він зібраний належним чином, щоб не створити небезпечну ситуацію для осіб та майна.

### 10.1 Чистка всмоктувального фільтра

(Мал.3)

- Відключити насос від мережі електричного живлення.
- Спорожнити насос, відкривши для цього зливну пробку (6); попередньо перекрити заслінки раніше по лінії (якщо маютьсся).
- Відкрутити кришку камери фільтра вручну або за допомогою спеціального інструменту, що надається в комплекті.
- Витягти зверху блок фільтра.
- Промити склянку під струменем проточної води та прочистити фільтр за допомогою м'якої щітки.
- Знову встановити фільтр на місце, виконавши всі описані вище дії в зворотньому порядку.

### 10.2 Чистка НПК

(Мал.4)

- Відключити насос від мережі електричного живлення.
- Зняти пробку НПК (5) за допомогою спеціального інструмента, що надається в комплекті.
- Зняти неповоротний (запірний) клапан НПК та почистити його, мал.9
- Виконати монтаж у зворотньому порядку.

## 11. ПОШУК

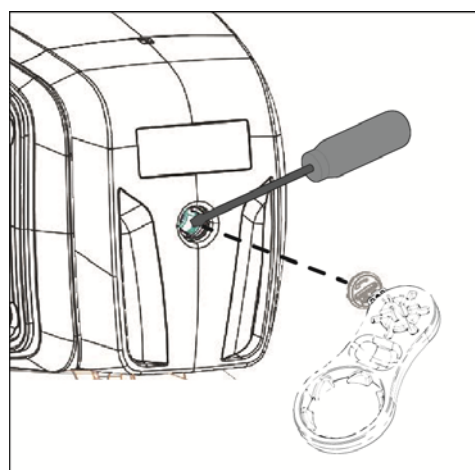
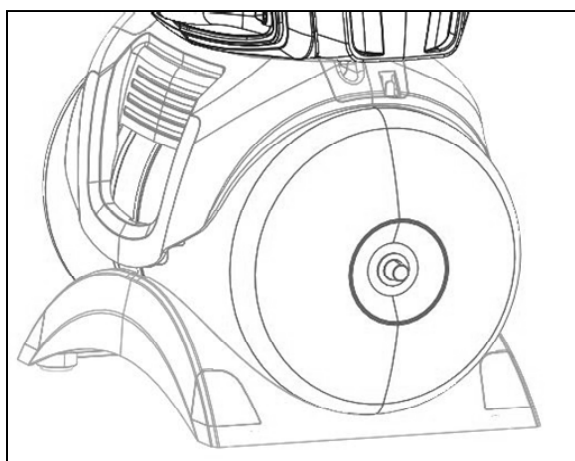


Перед тим, як розпочинати пошук неполадок, необхідно від'єднати насос від джерел електричного живлення (витягти вилку з розетки). Якщо кабель живлення або насос в будь-якій його електричній частині пошкоджені, ремонт та заміну повинен здійснювати виробник або уповноважений ним центр технічних послуг, або технічний спеціаліст з відповідною кваліфікацією, що дозволяє запобігти будь-якому ризику.

НЕПОЛАДОК ТА	(можливі причини)	ШЛЯХИ ЇХ УСУНЕННЯ
1. Двигун не вмикається і не гуде.	A. Перевірити електричні з'єднання. B. Перевірити подачу напруги на двигун. C. Перевірити захисні плавкі запобіжники. D. Можливо, що спрацював тепловий захист.	C. Замінити, якщо перегоріли. D. Зачекати 20 хвилин, щоб двигун вихолонув. Виявити причину та усунути її. <b>Н.В.:</b> повторення неполадки через короткий проміжок часу вказує на коротке замикання двигуна.
2. Двигун не вмикається і не гуде.	A. Перевірити, щоб напруга в мережі відповідала зазначеній на заводській паспортній таблиці. B. Виявити можливі забивання та засмічення насоса та двигуна. C. Перевірити, щоб вал не був заблокований. D. Перевірити стан конденсатора.	B. Усунути забивання та засмічування. C. За допомогою спеціального інструменту, що надається в комплекті, відкрутити кришку, а потім викруткою розблокувати вал. D. Замінити конденсатор.

## УКРАЇНСЬКА

НЕПОЛАДОК ТА	(можливі причини)	ШЛЯХИ ЇХ УСУНЕННЯ
3. Мотор працює з перебоями.	<p>A. Перевірити, щоб напруга мережі живлення була достатньою.</p> <p>B. Перевірити на предмет тертя та вишкрябування між рухомими та фіксованими частинами.</p>	<p>B. Усунути причини тертя та вишкрябування.</p>
4. Насос не подає воду.	<p>A. Насос не був заливаний належним чином.</p> <p>B. Недостатній діаметр всмоктувальної труби.</p> <p>C. Забивання та засмічування НПК або фільтра.</p>	<p>A. Наповнити насос водою, виконати заливку належним чином, випустити повітря, викрутивши спускну пробку.</p> <p>B. Замінити трубу на трубу з більшим діаметром.</p> <p>C. Почистити фільтр, а якщо цього недостатньо - і НПК.</p>
5. Насос не заливається.	<p>A. Всмоктування повітря через всмоктувальну трубу.</p> <p>B. Негативний нахил всмоктувальної труби сприяє утворенню повітряних пробок.</p>	<p>A. Усунути проблему, перевіривши герметичність з'єднань та трубопровід всмоктування, потім повторити операцію з заливання.</p> <p>B. Виправити нахил нахилу всмоктувальної труби.</p>
6. Недостатній рівень подачі насоса.	<p>A. Всмоктувальна труба забита або засмічена.</p> <p>B. Робоче колесо спрацьоване або заблоковане.</p> <p>C. Недостатній діаметр всмоктувального трубопроводу.</p>	<p>A. Почистити всмоктувальний трубопровід.</p> <p>B. Усунути забивання та замінити спрацьовані частини.</p> <p>C. Замінити трубопровід на трубопровід з більшим діаметром.</p>
7. Насос вмикається і вимикається надто часто.	<p>A. Пошкоджена мембрана розширювального бачка.</p> <p>B. Надто низький рівень тиску в розширювальному бачку.</p>	<p>A. Заміна мембрани з боку уповноваженого технічного персоналу.</p> <p>B. Заповнювання розширювального бачка до досягнення 1,6 <math>\pm</math> 0,2 бар. Див. Таб.3.</p>
8. Сильна вібрація насоса, сторонній шум під час роботи.	<p>A. Перевірити, щоб насос та трубопроводи були закріплені належним чином.</p> <p>B. Насос працює з кавітацією, запит на воду перевищує його потужність подачі.</p> <p>C. Насос працює за рамками вказаних на заводській паспортній табличці даних.</p>	<p>A. Закріпити ретельно ослаблені частини.</p> <p>B. Зменшити рівень всмоктування або перевірити на відсутність витоку напору.</p> <p>C. Може бути корисним обмежити напір на подачі.</p>



### ЗАПОВНИТИ ПОВІТРЯМ РОЗШИРЮВАЛЬНИЙ БАЧОК

В розширювальному бачку тиск повинен бути на рівні прибл. 1,6  $\pm$  0,2 бар. При першому пуску немає необхідності у виконанні якихось додаткових дій, оскільки з фабрики виробника він поставляється з попереднім накачуванням. Щоб заповнити бачок повітрям, необхідно скористатися повітряною помпою або пристроєм для накачування шин з показчиком тиску (манометром).

1. Відкрутити захисну кришку

2. Під'єднати повітряну помпу або пристрій для накачування шин до клапану, накачувати повітря до тих пір, поки манометр не покаже прибл. 1,6  $\pm$  0,2 бар.

3. Знову закрутити захисну кришку.

## 12. ГАРАНТІЯ



Будь-які модифікації, що не були попередньо узгоджені з виробником, звільняють виробника від будь-якої відповідальності. Всі запасні частини для ремонту повинні бути оригінальними частинами від виробника пристрою, а всі аксесуари слід узгодити з виробником, щоб гарантувати максимальну безпеку експлуатації того обладнання та пристроїв, на які вони встановлюються.

Даний виріб покритий юридичною гарантією (на території Європейського Союзу на протязі 24 місяців з дати купівлі) відносно всіх дефектів, викликаних вадами виробництва або дефектами використаних матеріалів.

Виріб на гарантії за рішенням виробника підлягає або заміні на інший, у відмінному робочому стані, або безкоштовному ремонту; при цьому повинні дотримуватися наступні умови:

- експлуатація виробу проводилася вірно, у відповідності до наданих інструкцій, покупець або треті особи не намагалися відремонтувати його власними силами.
- виріб доставлений в пункт продажу разом з документацією, що підтверджує його купівлю (рахунок або чек), та коротким описанням виявленої проблеми.

Робоче колесо та інші частини, що підлягають нормальному спрацюванню, не покриваються гарантією. Операції з гарантійного обслуговування ні в якому разі не призводять до подовження початкового терміну гарантії.

---

---