



10"-24"

230 V



Wheel balancer

(Basic-Line) Item No.: TW F-150

Description

Semi automatic Tyre Balancer, the perfect starter model. Easy to use and an innovative design.

Features

- 1A Quality built with CE-Certificate
- Manufactured in accordance to ISO 9001
- TOP-Design
- Easy handling
- Solid construction
- Digital display
- Automatic measurement with wheel braking
- Static and dynamic balancing
- Several available programs Normal / Static / Alu1, Alu2, Alu3, Motorcycle etc.
- Integrated calibration and self-diagnostic program
- **Optional:** Motorcycle adapter, diverse vehicle adapter

Delivery contents

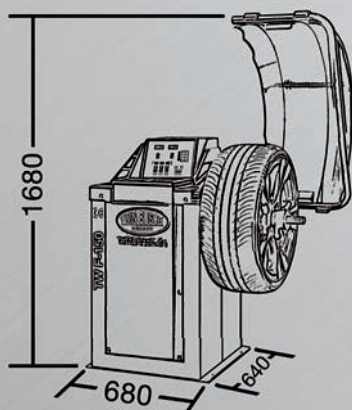
- Wheel balancer TW F-150
- Centering cones (4 pcs.) gauge, weight pliers
- Quick release nut, Pressure cup, Rubber lip
- Calibration weight
- English instruction manual and CE-Certificate

Details



(1) Side holder for centering cones and gauge (2) Integrated distance measurement (3) Quick release nut $\varnothing = 36$ mm (4) The new diagonal ergonomic design is user friendly and has 11 storage compartments included (5) Digital Display

Dimensions | Technical Data | Accessories



Extensive accessories

Technical Data: TW F-150	
Wheel width	1,5" - 20"
Wheel diameter	10" - 24"
Wheel weight max.	65 kg
Wheel center hole	36-135 mm
Measuring tolerance	+/- 1 g
Measuring time (approx.)	4-7 sec.
Power supply	230 V~
Noise level	< 70 dB
Weight (approx.)	92 kg