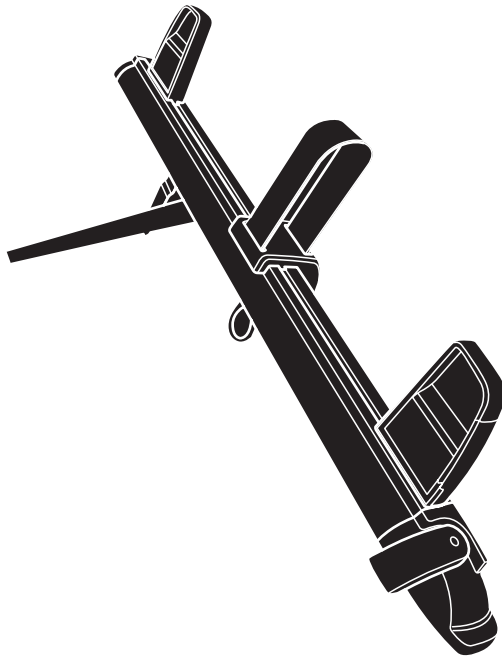


THULE[®]
SWEDEN

Thule Ladder Tilt 311

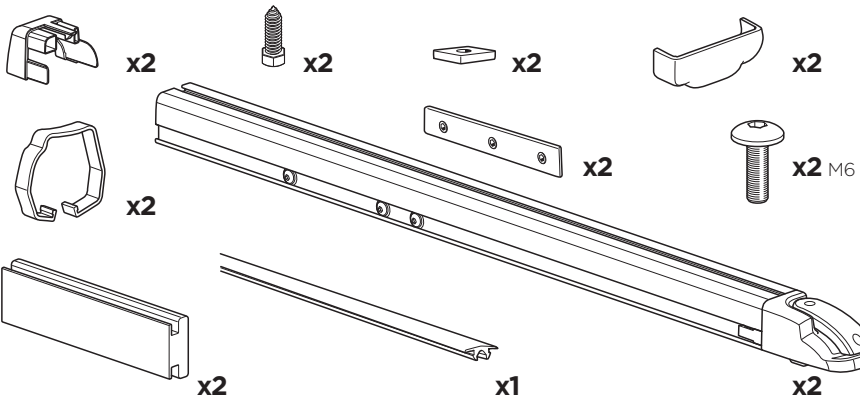
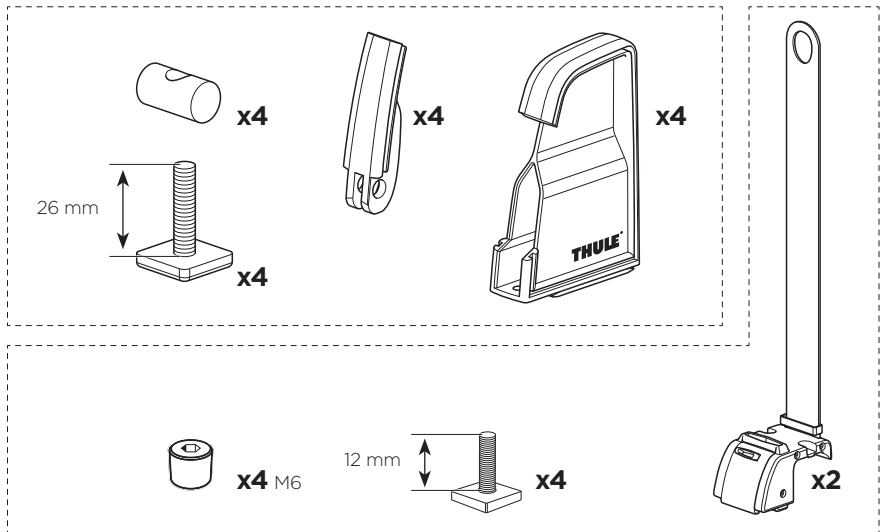
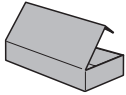
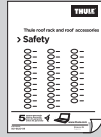
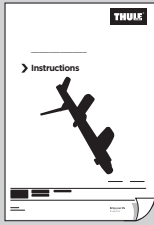
➤ Instructions

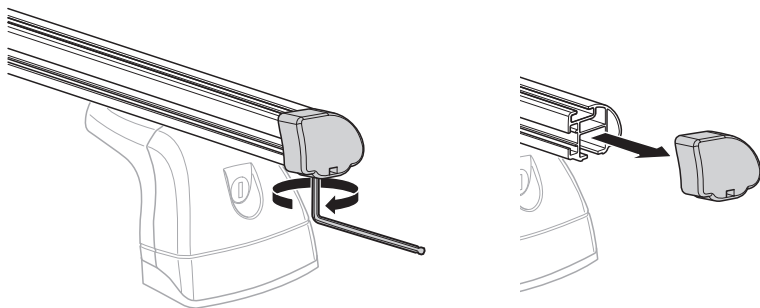
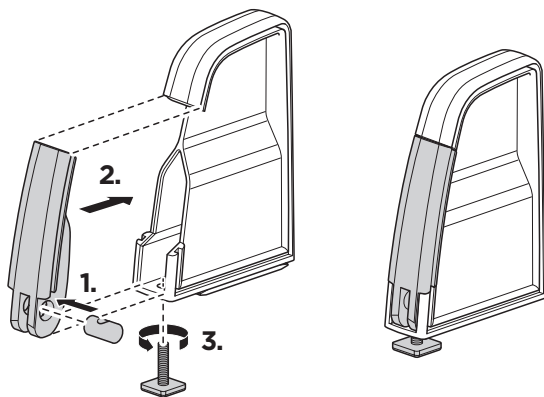
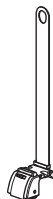
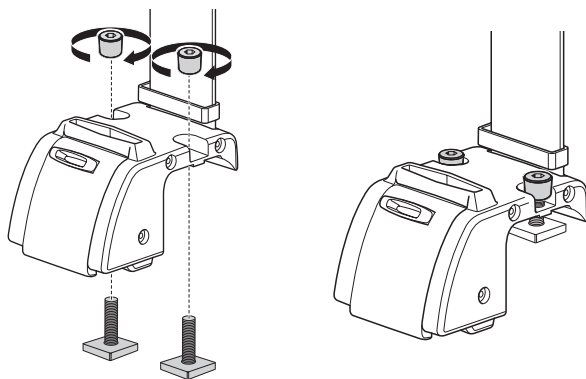


311010

AS/16-20160531
501-7171-08

Bring your life
thule.com

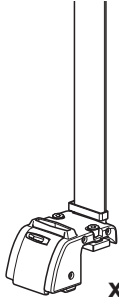


1**2****x4****x4****x4****x4****x4****x4****x2**

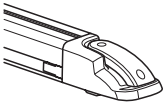
3



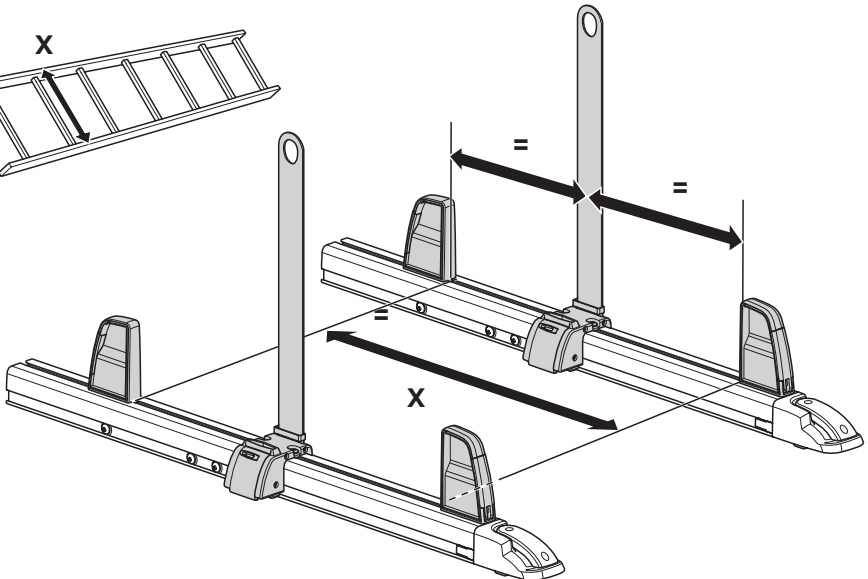
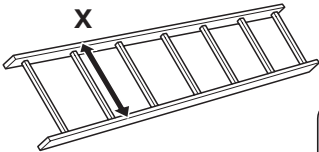
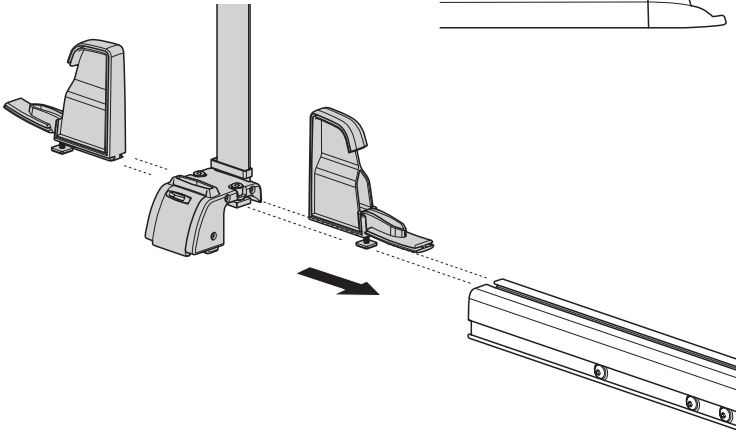
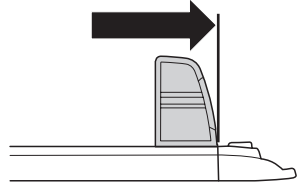
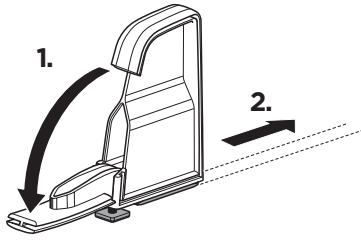
x4



x2

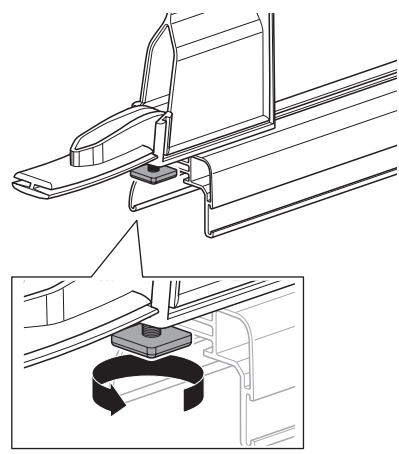
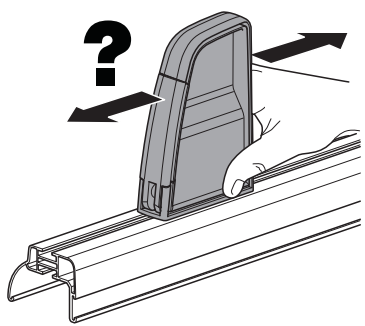
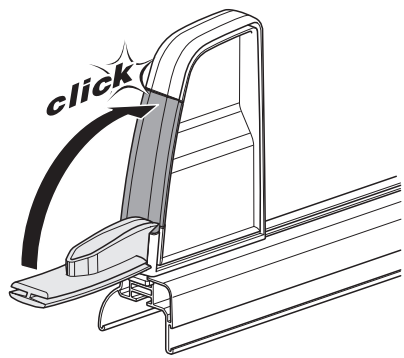
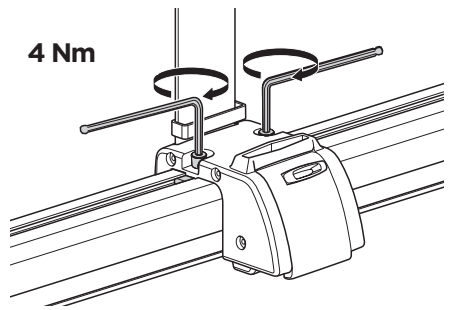


x2

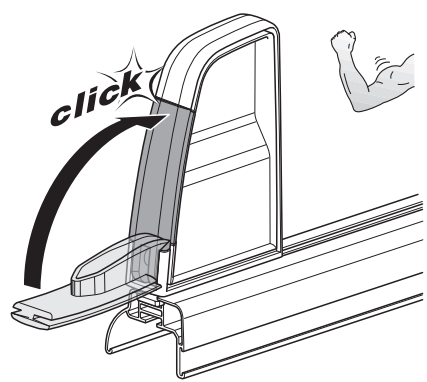


4

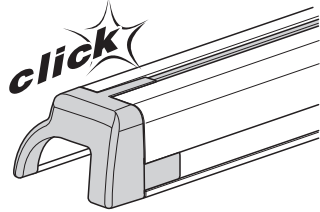
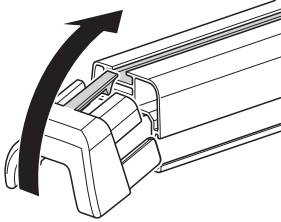
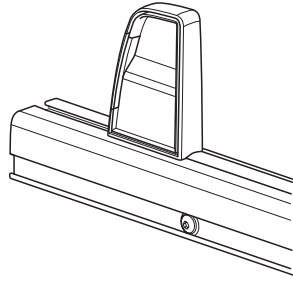
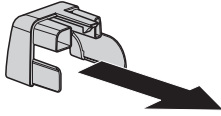
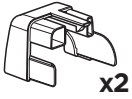
4 Nm



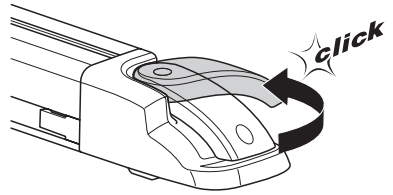
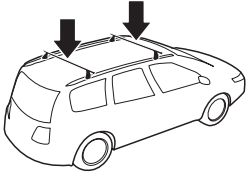
10-15 kg



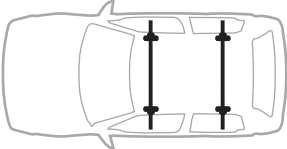
5



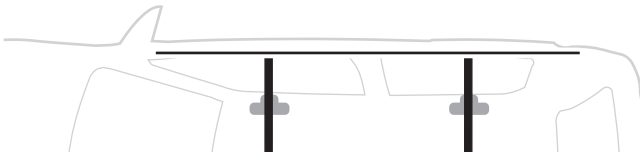
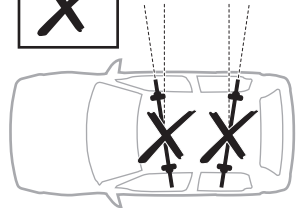
6



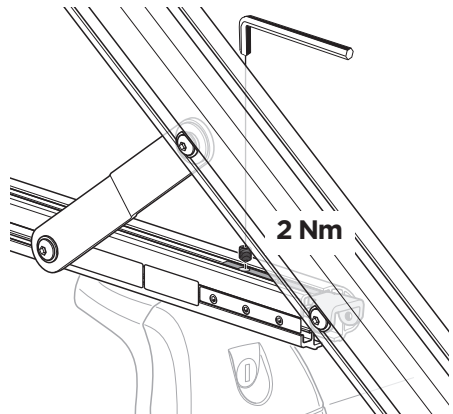
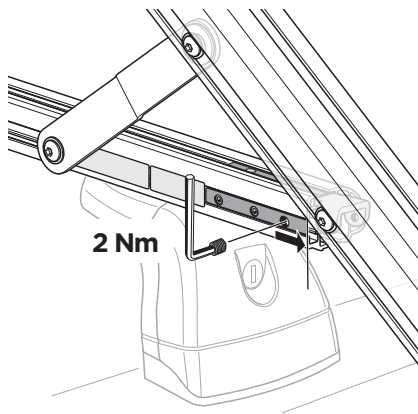
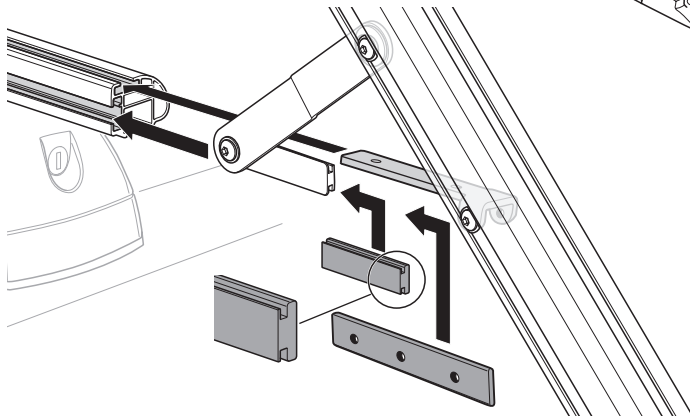
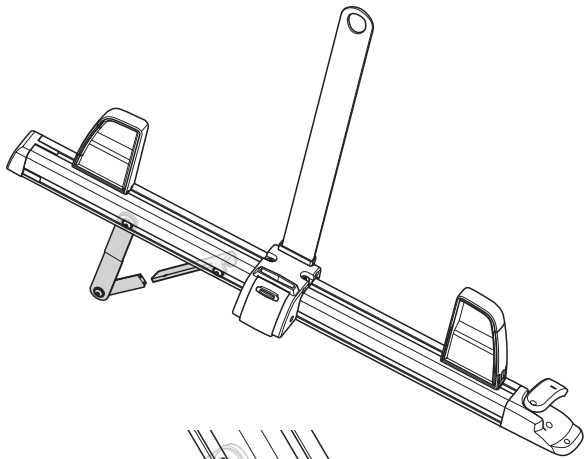
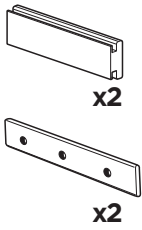
ok



Not ok



7



8



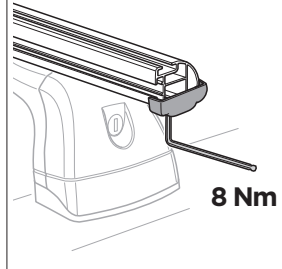
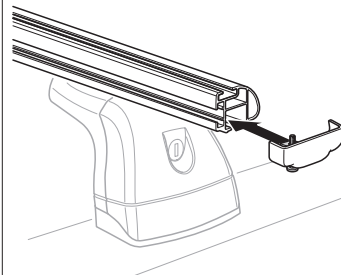
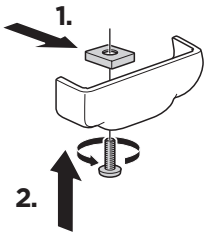
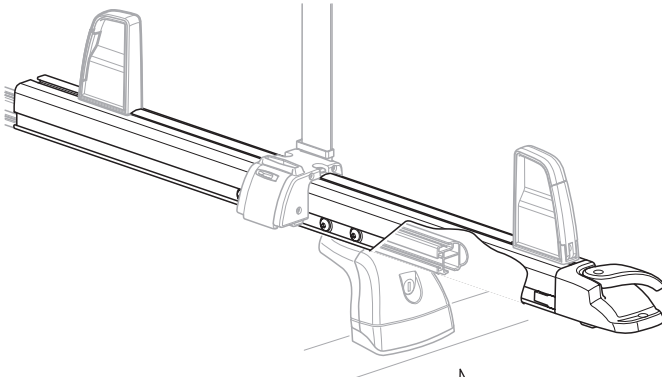
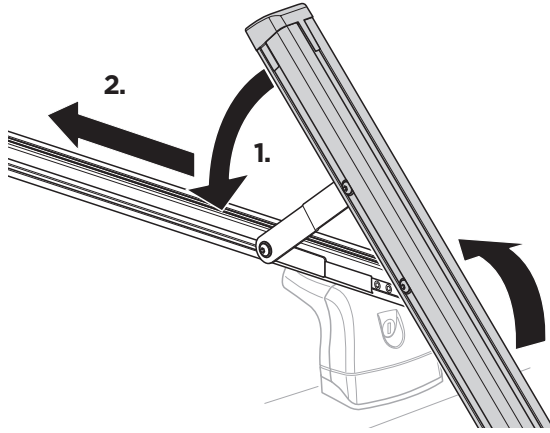
x2



x2



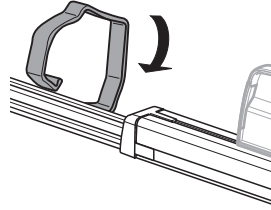
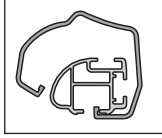
x2



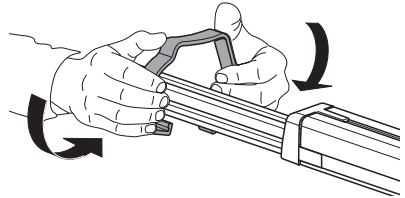
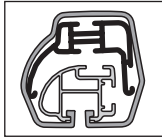
9



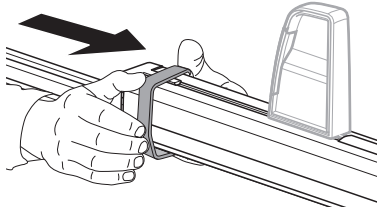
1.



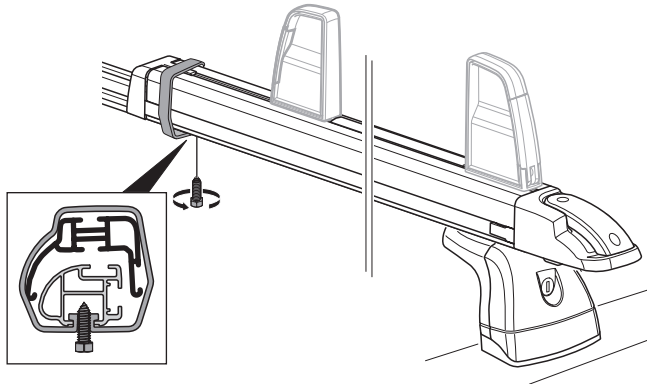
2.



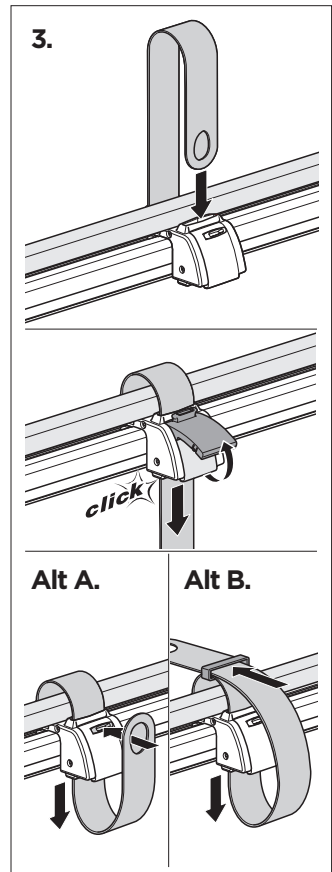
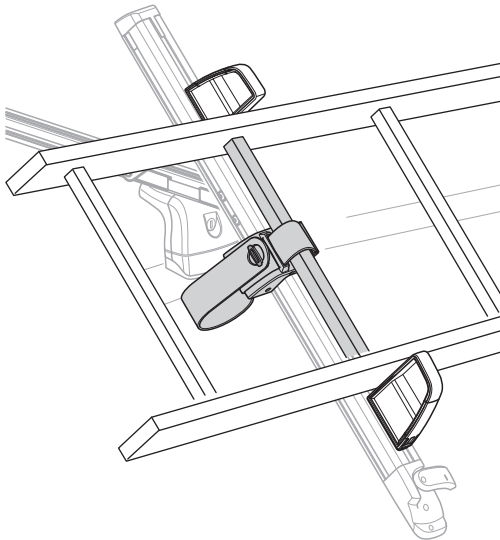
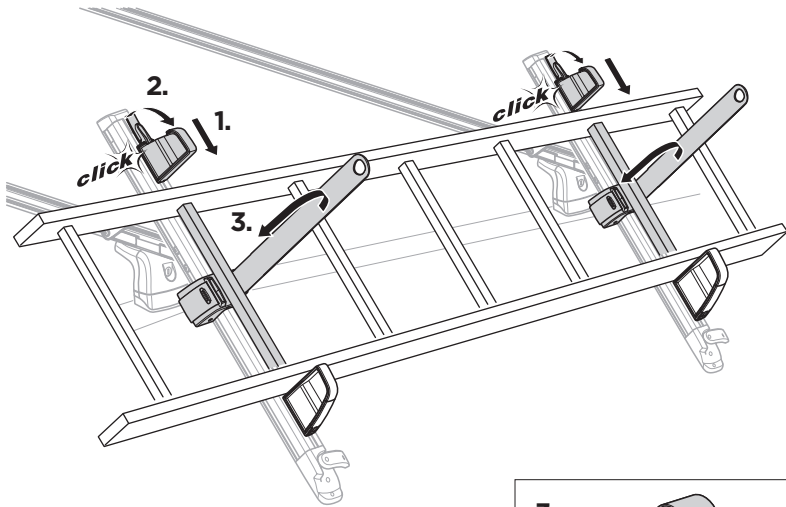
3.



4.

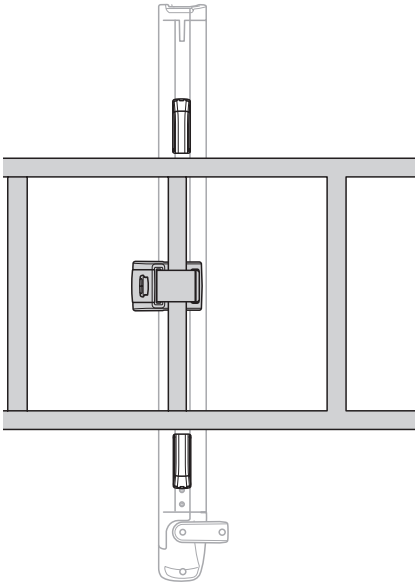


10

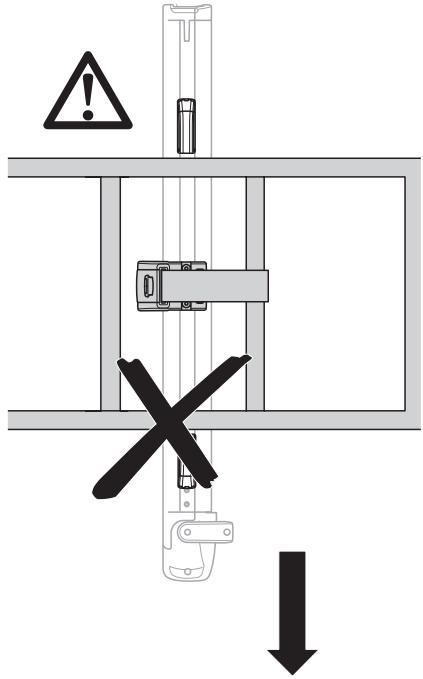


i

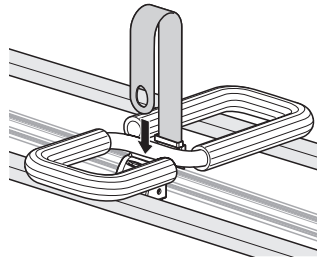
ok

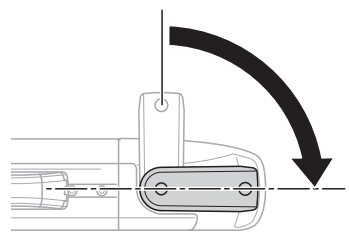
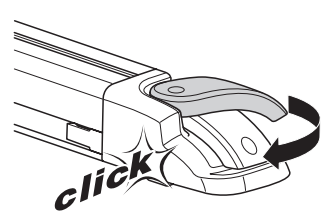
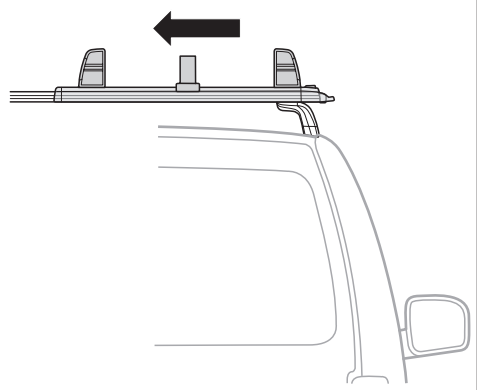
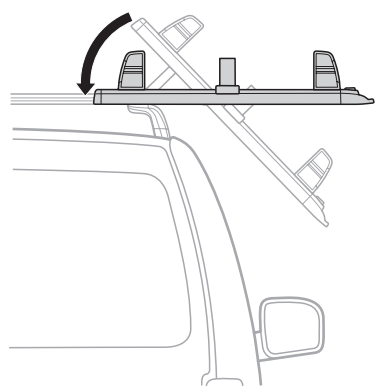
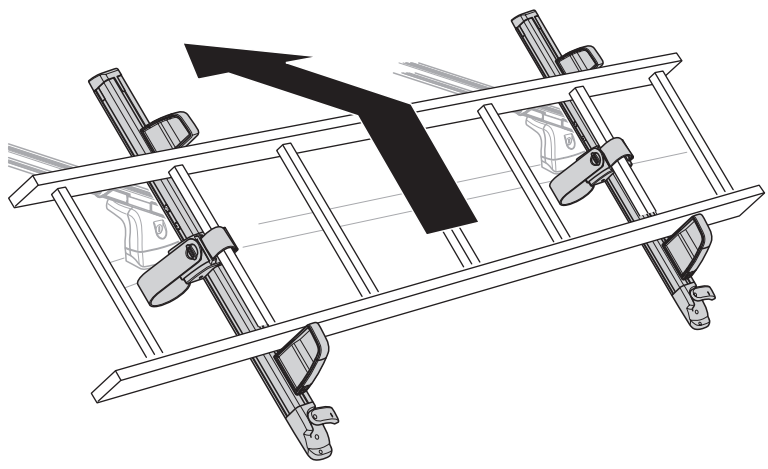
Not ok

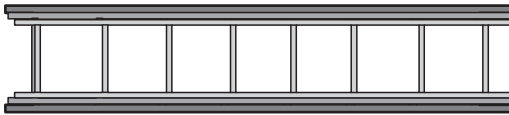
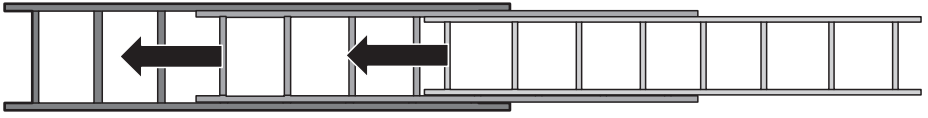
310



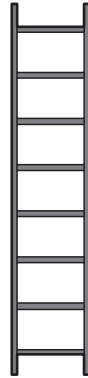
11



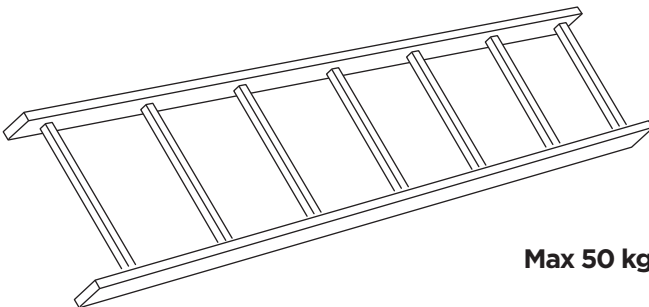
i



Max 3



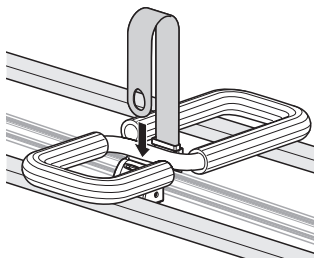
i



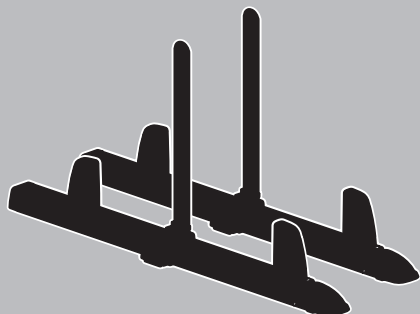
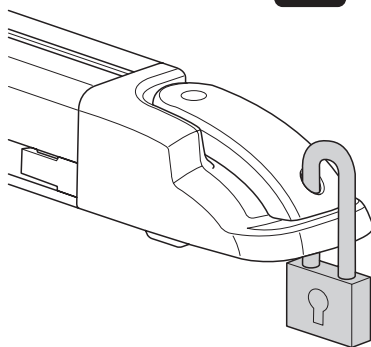
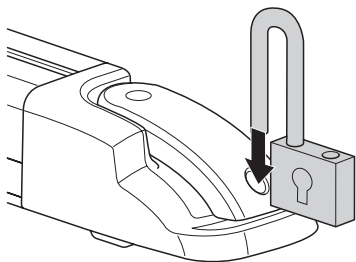
Max 50 kg

i

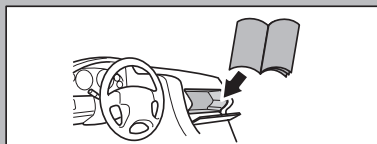
310



i

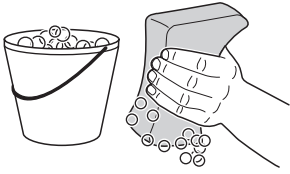


6.7 kg

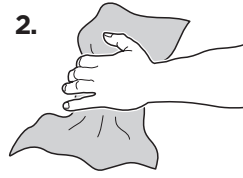




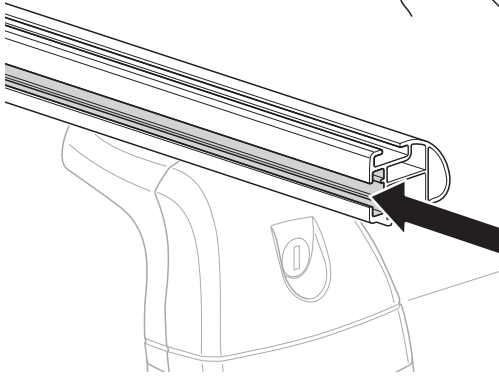
1.



2.



3.





Thule Sweden AB, Box 69, 330 33 Hillerstorp, SWEDEN

› PART OF THULE GROUP



info@thule.com

© Thule Group 2016. All rights reserved.



www.thule.com

501-7171-08