



MGBMD3 HYDRAULIPUMPPU 2-TOIM / DOUBLE ACTING PUMP

OPERATION AND MAINTENANCE INSTRUCTIONS

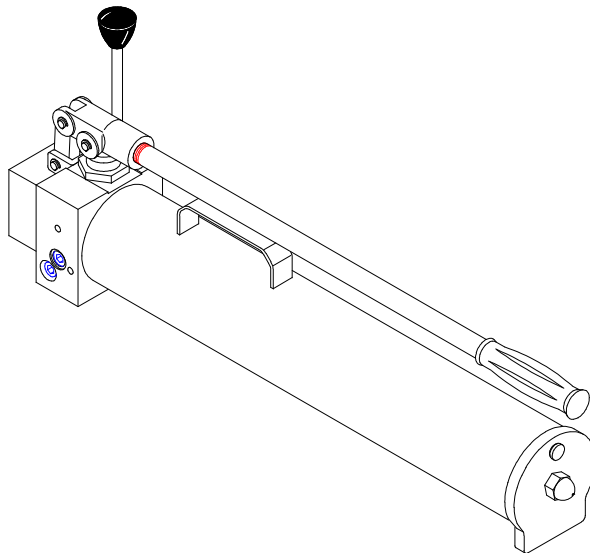


IKH tuotekoodi / IKH product code
MGBMD3

Hydraulipumppu • Hydraulic pump

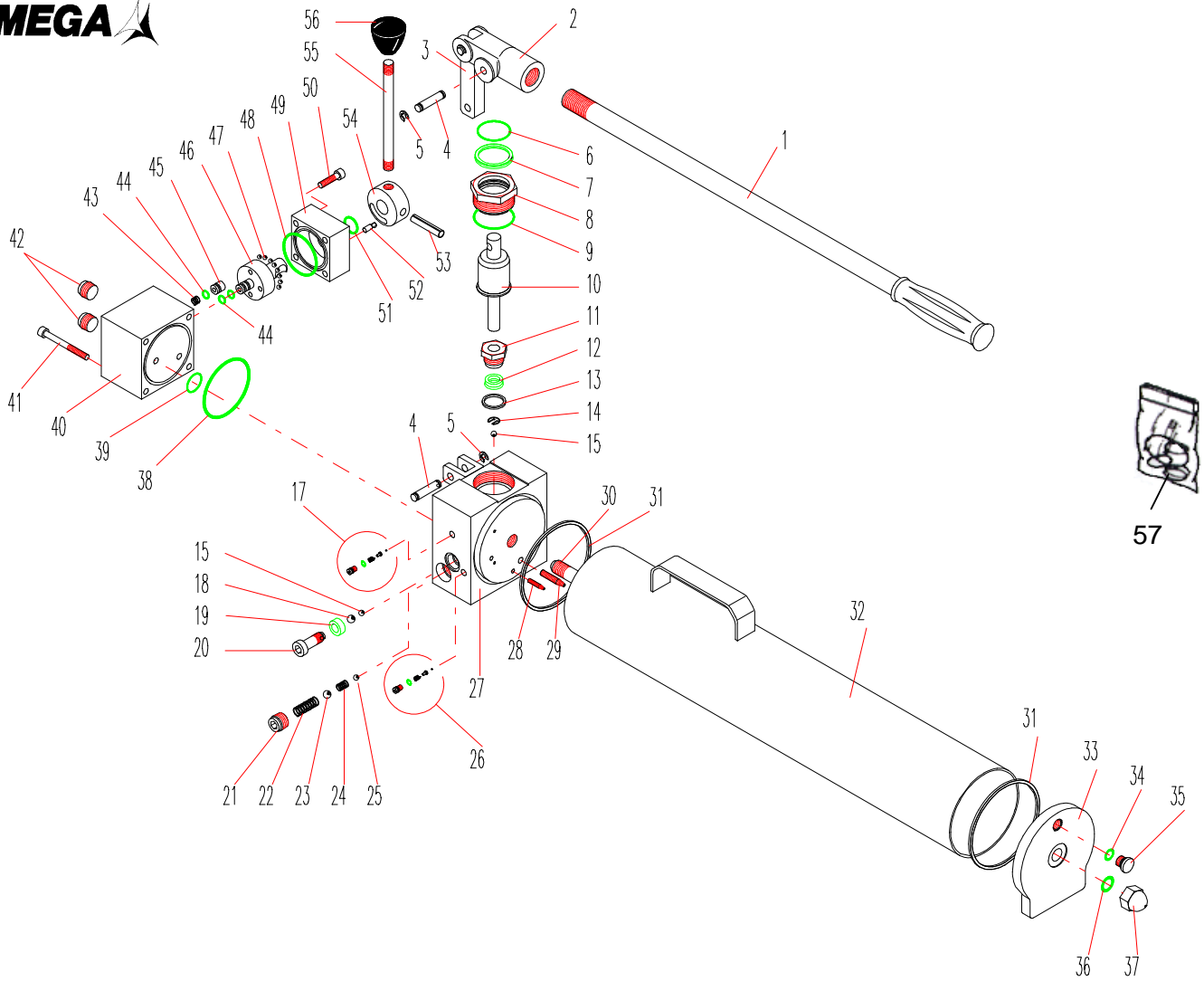


BMD-3



MELCHOR GABILONDO, S.A.

Polígono Industrial Eitua,6 / 48240 Bériz (Vizcaya) ESPAÑA / Tel.94 622 50 90 / Intl: 34-94 622 50 90
Telefax: 94 622 52 78 / Intl.: 34-94 622 52 78 / Teléfono Ventas: 94 622 50 30
Telefax Ventas: 94 682 73 50 / E-MAIL: interior@mega-sa.com / export@mega-sa.com



Nº	NOMBRE / DESCRIPTION DESIGNATION	BMD-3 REF.	Nº	NOMBRE / DESCRIPTION DESIGNATION	BMD-3 REF.
1	Palanca/Handle/Levier	BM-3/1113	31	O-Ring	Y-15/1135
2	Portapalanca/Handle socket/Chape porte-levier	BM-3/C7	32	Depósito/Oil reservoir /Réservoir d'huile	BM-3/1103
3	Eje/Axle/Axe	B-3/1344	33	Tapa depósito/Res. lid/ Couvercle réservoir.	BM-3/1165
4	Circlip/Retaining ring/Circlip	MB-22-A/1286	34	O-Ring	NS-1/1130
5	O-Ring	ME-1501/1348	35	Tapón/Filler plug/Bouchon	VXB-5/1139
6	O-Ring	BM-3/1418	36	O-Ring	M-75/1130
7	Bomba/Pump cylinder/Cylindre de commande	BM-3/1425	37	Tuerca/Nut/Ecrou	B-3/1325
8	O-Ring	YT-5/1131	38	O-Ring	MGT-12/1131
9	Pistón de bomba/Pump piston/Piston de commande	BM-3/1110	39	O-Ring	BMD-3/2228
10	Bomba/Pump cylinder/Cylindre de commande	BM-3/1109	40	Bloque dist./ Man.valve bock / Bloc distributeur	BMD-3/1938
11	Collarín/Seal/Coupelle	BM-3/1133	41	Tornillo/Screw/Vis	BMD-3/1965
12	Arandela/Washer/Rondelle	BM-3/1119	42	Tapón/Plug/Bouchon	Y-2/1160
13	Muelle/Spring/Ressort	MG-2/1161	43	Muelle/Spring/Ressort	BD-3/1905
14	Bola/Ball/Bille	ME-1501/1149	44	O-Ring	BMD-3/1900
15	Tapón/Plug/Bouchon	Y-2/1160	45	Casquillo/Bushing/Douille	BD-3/1904
16	Válvula seguridad/Safety valve/ Soupape sécurité	FMG-300/C9	46	Distribuidor / Manifold valve / Distributeur	BMD-3/1897
17	Bola/Ball/Bille	ME-1501/1212	47	Bola/Ball/Bille	TR-2/1525
18	O-Ring	MG-2/1130	48	O-Ring	BD-3/1903
19	Descarga/Release valve/Soupape de descente	BMD-3/2096	49	Cuerpo de volante/ C. wheel block/ Bloc volant	BMD-3/1895
20	Tapón/Plug/Bouchon	Y-2/1160	50	Tornillo/Screw/Vis	CSA-5-A/1383
21	Muelle/Spring/Ressort	BM-3/1441	51	O-Ring	BD-3/1898
22	Bola/Ball/Bille	NS-1/1212	52	Pasador/ Pin / Goujon	BMD-3/1896
23	Bola/Ball/Bille	MB-22-A/1162	53	Pasador Pin / Goujon	BMD-3/1292
24	Muelle/Spring/Ressort	TR-2/1363	54	Volante/ Control wheel / Volant	BMD-3/1337
25	Válvula seguridad/Safety valve/ Soupape sécurité	MG-2/C9	55	Mando / Control lever / Levier de contrôle	BMD-3/1298
26	Hidráulico/Hydraulic unit/Ensemble hydraulique	BM-3/C25	56	Pomo/ Knob / Bouton	ND-2/1218
27	Filtro/Filter/Filtre	GN-22/1457	57	J.Repuestos/Repair kit/ Kit de réparation	RBMD-3 6/7/9/12/13/19/31/34 /36/38/39/44/48/51
28	Filtro/Filter/Filtre	GN-22/1457	cm³	Volumen de aceite/Oil volume / Volume d'huile	3200
29	Eje/Axle/Axe	BM-3/1152	Kg/cm²	Presión de trabajo/Operating pressure/Pres. de service	700

1 SAFETY INSTRUCTIONS

- 1.1 As a safety measure, these pumps are fitted with two overload safety valves, n° 17 and 26. These valves are factory set and must not be tampered with.
- 1.2 We recommend the use of a gauge to control in safety the cylinder or the hydraulic unit being operated by the pump.

2 USE AND OPERATION

- 2.1 These pumps are generally designed to operate the cylinders or hydraulic units, which are not fitted with an integrated pump. The connection has to be effected with a hose or directly with quick couplers. Remove the plugs n° 16 and thread instead the hoses or the female quick couplers. The connection should be always leakproof. In case quick couplers are used, insert the male coupler into the female one by completely tightening the nut on the male coupler.
- 2.2 Before operating the pump, it is necessary to purge air from the valve system. This can be done by placing the control wheel lever n° 55 in neutral position and pumping with the handle n° 1 several times. Set then the control wheel lever in cylinder lifting position. The pump is now ready to be used.

3 MAINTENANCE

- 3.1 Lubricate all moving parts at regular intervals.
- 3.2 Always keep the pump cleans and protected from aggressive conditions.
- 3.3 If you have to replace the oil, remove the plug n° 35 and fill the reservoir with the volume of oil indicated in the chart.
IMPORTANT: An excess of oil will render the pump inoperative.
- 3.4 Use only hydraulic oil, type HL or HM, with an ISO grade of cinematic viscosity of 30 cSt at 40°C or an Engler viscosity of 3 at 50°C. **VERY IMPORTANT:** Never use brake fluid.
- 3.5 When ordering spare parts, please state the part number indicated in the exploded view provided. A repair kit is available containing all the common spare parts.

4 REPAIR

Both maintenance and repair must only be carried out by qualified personnel.