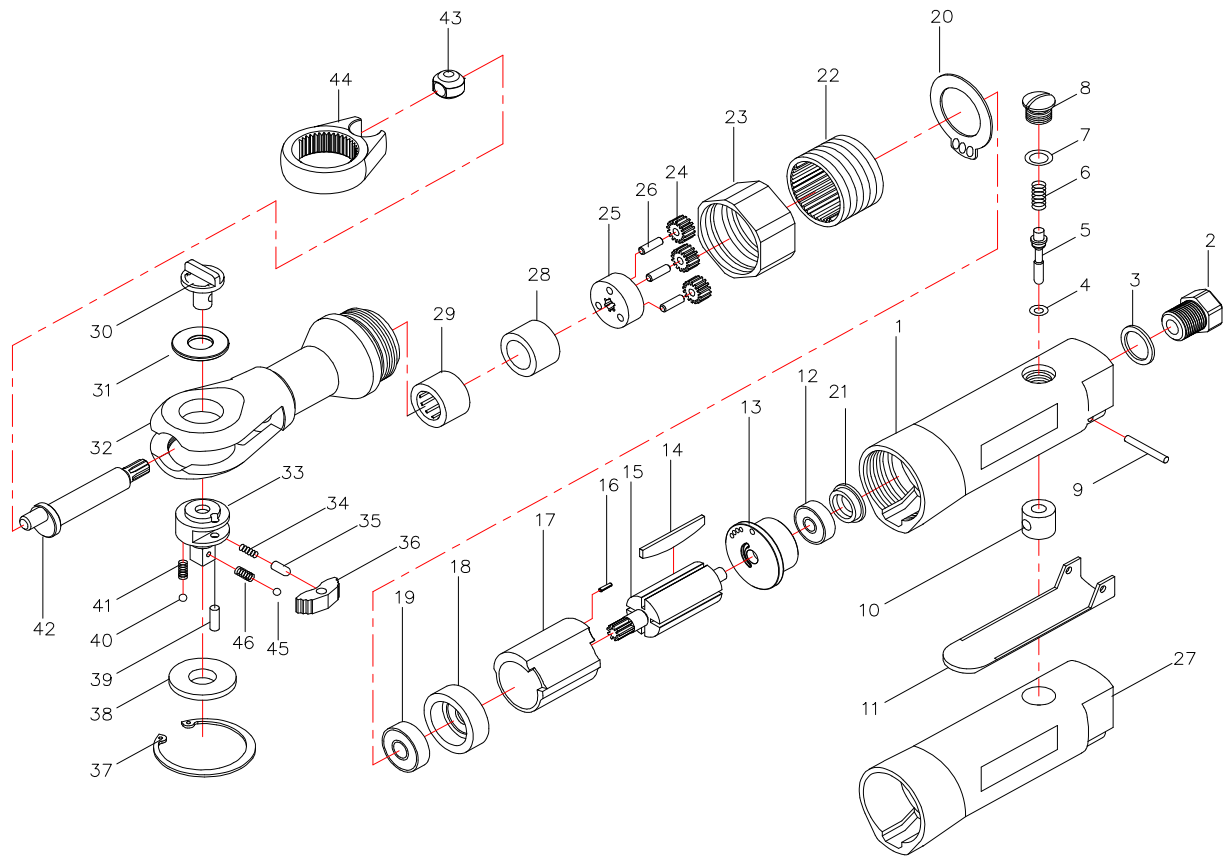


# MEG5053 (HY-850B) 1/2" AIR RATCHET WRENCH



NO.	PART NO.	ASSY NO.	DESCRIPTION	Q'TY	NO.	PART NO.	ASSY NO.	DESCRIPTION	Q'TY
*1	850-01A-AA	A	Housing	1	28	450-22-A		Bushing	1
2	850-02-A		Air Inlet	1	29	150-21-A		Needle Bearing	1
3	850-03-A		Washer	1	30	150-38A-A		Reverse Switch	1
4	150-07-A		O-Ring	1	31	150-42-A		Washer	1
5	275-06-A		Valve Stem	1	32	150-19-A		Ratchet Housing	1
6	150-08-A		Spring	1	*33	150-18-B	B	1/2" Ratchet Anvil	1
7	150-11-A		O-Ring	1	34	150-34-A		Spring	1
8	150-09-A		Valve Plug	1	35	150-35-A		Sleeve	1
9	850-09-A		Pin	1	36	1450-35-A		Ratchet Pawl	1
*10	251-37-A	A	Valve Busging	1	37	150-39-A		Retainer Ring	1
11	850-11-A		Throttle Lever	1	38	150-33-A		Washer	1
12	150-30-A		Bearing	1	39	150-37-A		Pin	1
13	150-29-A		Rear Plate	1	40	150-41-A		Steel Ball	2
14	150-26-A		Rotor Blade	4	41	150-40-A		Spring	2
15	150-25-A		Rotor	1	42	150-17-A		Crank Shaft	1
16	150-31-A		Pin	1	43	150-22-A		Drive Bushing	1
17	150-24-A		Cylinder	1	44	150-23-A		Ratchet Yoke	1
18	150-27-A		Front Plate	1	*45	150-44-B	B	Steel Ball	1
19	150-28-A		Bearing	1	*46	150-43-B	B	Spring	1
20	850-20-A		Washer	1	NS-A	A850-01		Housing Assy A	1
21	1450-10-A		Dust Bushing	1	NS-B	B150-18		1/2" Ratchet Anvil Assy B	1
22	150-12-A		Thread Ring Gear	1					
23	150-13-A		Locking Nut	1					
24	150-14-A		Gear	3					
25	150-16-A		Gear Plate	1					
26	150-15-A		Pin	3					
27	850-47-A		Grip	1					

The parts with " \* " mark can not be ordered individually and need to be ordered based on the assembly number.

20110511