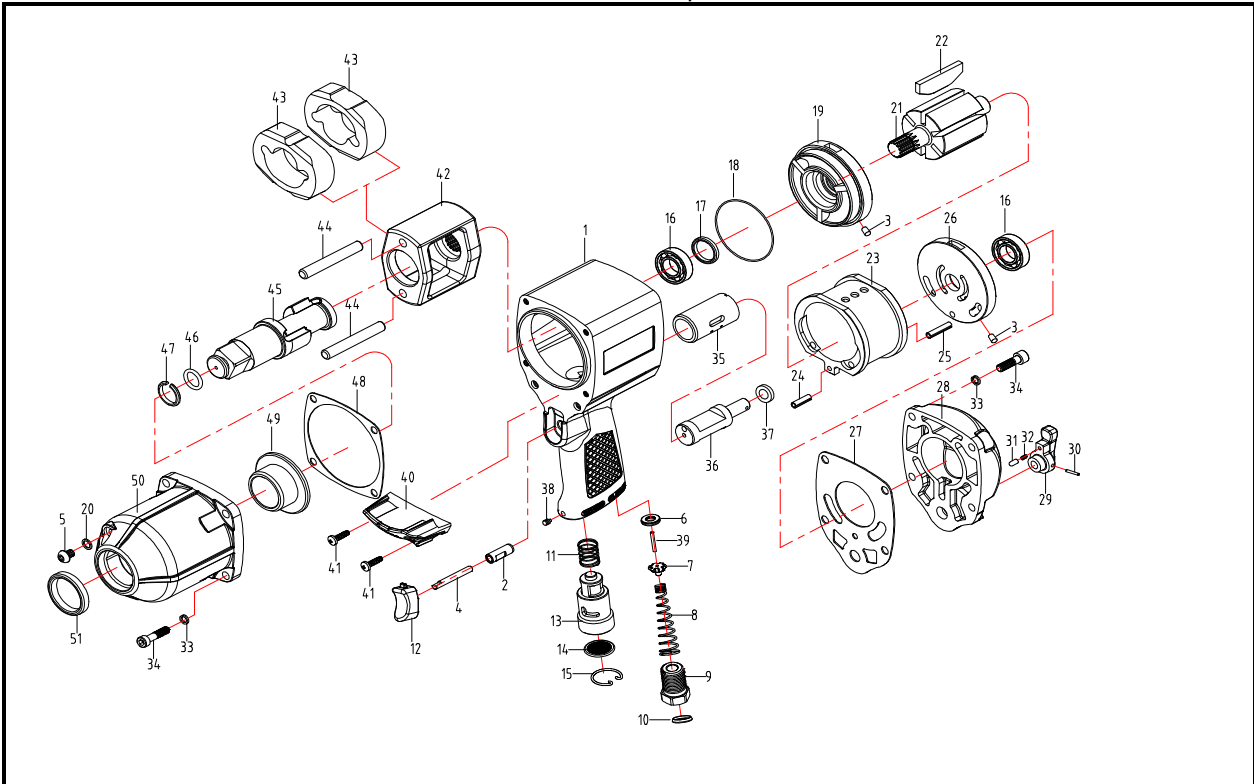


HY-1161D 3/4" Air Impact Wrench



NO.	PART NO.	ASSY NO.	DESCRIPTION	Q'TY	NO.	PART NO.	ASSY NO.	DESCRIPTION	Q'TY
*1	1161-01A-AA	A	Housing	1	31	760-25-A		Sleeve	1
*2	962-02-A	A	Trigger Sleeve	1	32	860-21-A		Spring	1
*3	161-49-A	C/D	Plug	4	33	161-26-A		Washer	8
*4	1161-04-A2	E	Pin	1	34	161-27-A		Screw	8
5	761-02-A		Screw	1	*35	861-34-A	A	Valve Sleeve	1
6	460-04-A		Oil Seal	1	36	861-35-A		Reverse Valve	1
*7	460-05-A	B	Throttle Valve	1	37	962-36-A		Washer	1
8	2360-07-A		Spring	1	38	160-13-A		Screw	1
9	460-08B-B		Air Inlet	1	*39	361-53-A	B	Valve Stem	1
10	461-49-A		Mesh Filter	1	40	1161-40-A		Exhaust Cover	1
11	962-62-A		Spring	1	41	962-41-A		Screw	2
*12	361-04-A1	E	Trigger	1	42	1161-42-A		Hammer Cage	1
13	962-08-A		Exhaust Valve	1	43	561-37-A		Hammer	2
14	562-58-A		Mesh Filter	1	44	561-38-A		Hammer Pin	2
15	562-59-A		Retainer Ring	1	45	561-39A-AA		Anvil	1
16	161-13-A		Bearing	2	46	250-04-A		O-Ring	1
17	161-14-A		Oil Seal	1	47	461-35-A		Retainer Ring	1
18	361-26-A		O-Ring	1	48	1161-48-A		Seal Plate	1
*19	1161-19-A	C	Front Plate	1	49	561-43-A		Bushing	1
20	165-44-A		Washer	1	50	1161-50A-AB		Hammer Housing	1
21	161-17-A		Rotor	1	51	561-48-A		Oil Seal	1
22	161-18-A		Rotor Blade	6	NS-A	A1161-01		Housing Assy A	1
23	1161-23-A		Cylinder	1	NS-B	B460-05		Throttle Valve Assy B	1
24	162-28-A		Set Pin	1	NS-C	C1161-19		Front Plate Assy C	1
25	962-22-A		Set Pin	1	NS-D	D1161-26		Rear Plate Assy D	1
*26	1161-26-A	D	Rear Plate	1	NS-E	E1161-04		Trigger Assy E	1
27	1161-27-A		Gasket	1					
28	1161-28A-AA		Rear Cover	1					
29	1161-29-A		Reverse Switch	1					
30	425-02-A		Set Pin	1					

The parts with " * " mark can not be ordered individually and need to be ordered based on the assembly number. 20110401