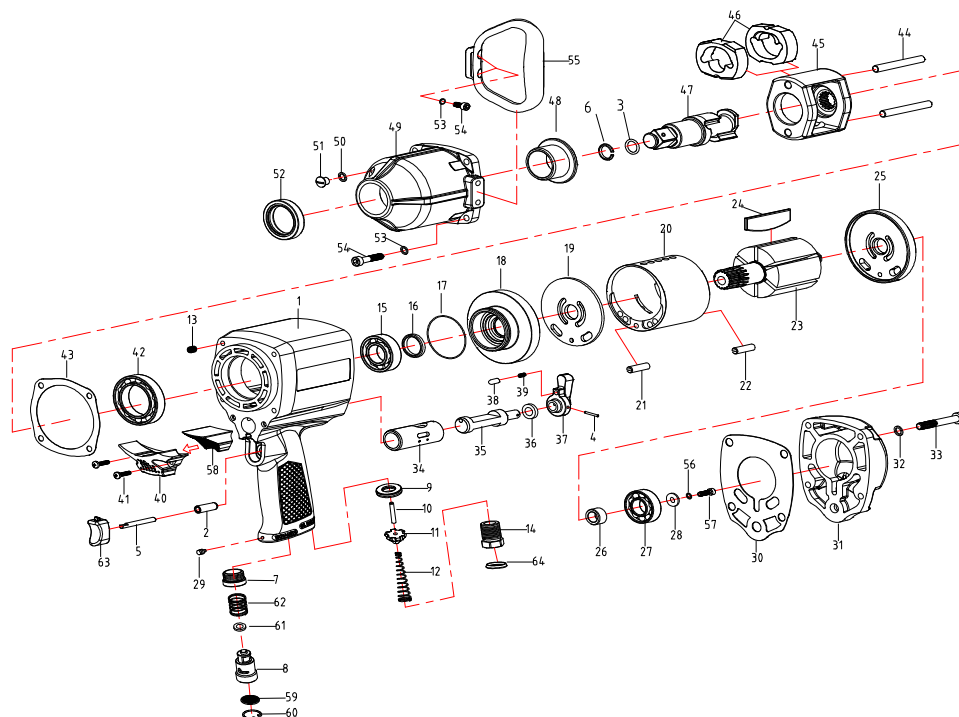


MEG8081 (HY-962A) 1" Air Impact Wrench



NO.	PART NO.	ASSY NO.	DESCRIPTION	Q'TY	NO.	PART NO.	ASSY NO.	DESCRIPTION	Q'TY
*1	962-01A-AA	A	Housing	1	35	962-35-A		Reverse Valve	1
*2	962-02-A	A	Trigger Sleeve	1	36	962-36-A		Washer	1
3	161-31-A		O-Ring	1	37	962-37-A		Reverse Switch	1
4	460-11-A		Switch Pin	1	38	760-25-A		Sleeve	1
*5	962-05-A2	C	Pin	1	39	860-21-A		Spring	1
6	162-10-A		Retainer Ring	1	40	962-40-A		Exhaust Cover	1
7	962-07-A		Washer	1	41	962-41-A		Screw	2
8	962-08-A		Exhaust Screw	1	42	761-17-A		Bearing	1
9	361-05-A		Oil Seal	1	43	761-16-A		Seal Plate	1
*10	361-53-A	B	Valve Stem	1	44	761-15-A		Hammer Pin	2
*11	361-06-A	B	Throttle Valve	1	45	761-14-A		Hammer Cage	1
12	361-07-A		Valve Spring	1	46	461-32-A		Hammer Dog	2
*13	962-65-A	A	Thread Bushing	4	47	761-12B-AA		Anvil	1
14	461-10-B		Air Inlet	1	48	761-09-A		Bushing	1
15	361-13-A		Bearing	1	49	761-01B-AB		Hammer Housing	1
16	361-14-A		Oil Seal	1	50	165-44-A		Washer	1
17	361-15-A		O-Ring	1	51	761-02-A		Screw	1
18	962-18-A		Front Plate	1	52	761-59-B		Oil Seal	1
19	962-19-A		Washer	1	53	161-26-A		Washer	6
20	761-26-A		Cylinder	1	54	161-27-A		Screw	6
21	962-21-A		Pin	1	55	761-08-A		Handle	1
22	962-22-A		Pin	1	56	161-24-A		Washer	1
23	962-23-A		Rotor	1	57	962-57-A		Screw	1
24	761-28-A		Rotor Blade	6	58	962-58-A		Muffle Material	1
25	962-25-A		Rear Plate	1	59	562-58-A		Mesh Filter	1
26	962-26-A		Bushing	1	60	562-59-A		Retainer Ring	1
27	361-22-A		Bearing	1	61	962-61-A		Washer	1
28	962-28-A		Washer	1	62	962-62-A		Spring	1
29	160-13-A		Screw	1	*63	361-04-A1	C	Trigger	1
30	962-30-A		Gasket	1	64	461-49-A		Mesh Filter	1
31	962-31A-AA		Rear Cover	1	NS-A	A962-01		Housing Assy A	1
32	162-04-A		Washer	4	NS-B	B361-06		Throttle Valve Assy B	1
33	162-31-A		Screw	4	NS-C	C962-05		Tigger Assy C	1
*34	962-34-A	A	Valve Sleeve	1					

The parts with " * " mark can not be ordered individually and need to be ordered based on the assembly number.