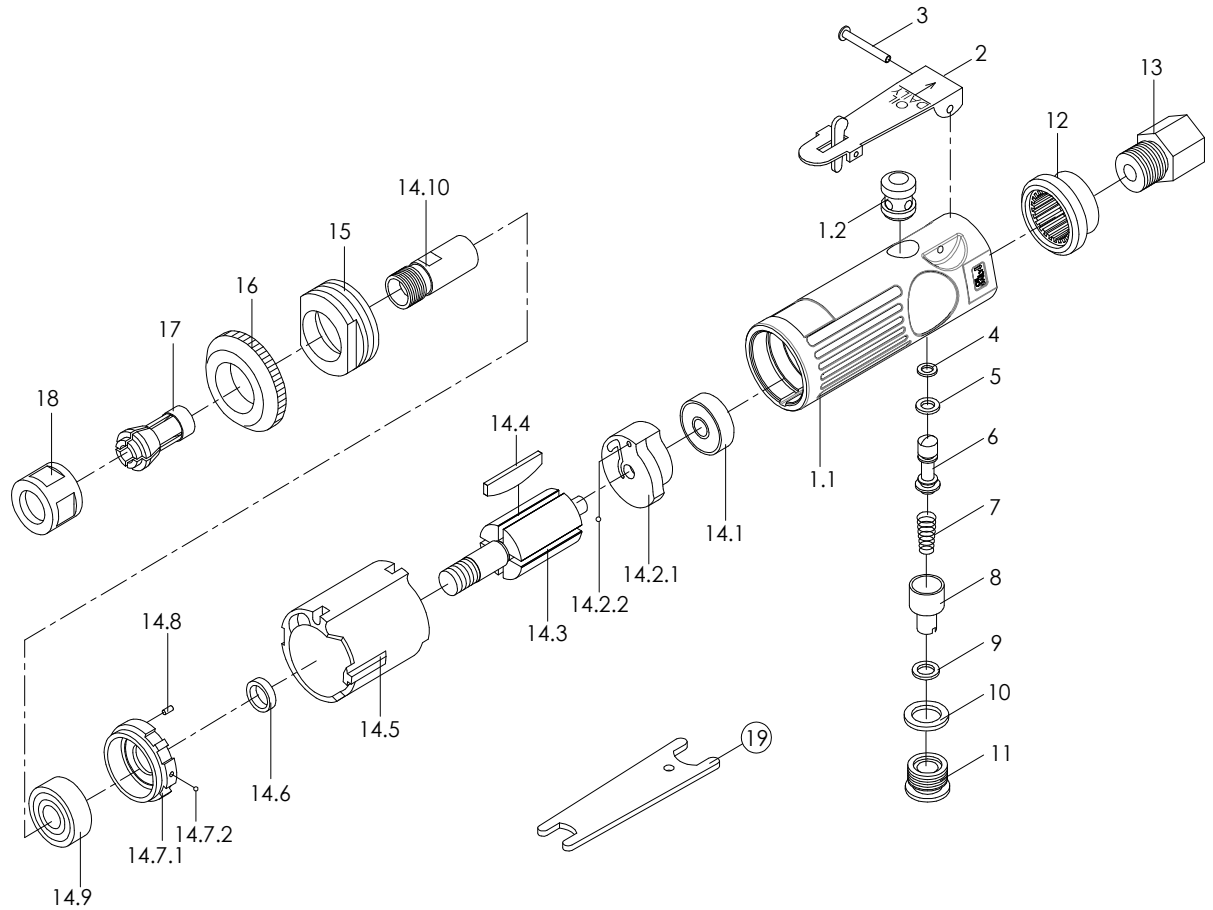


# HY-145

# AIR DIE GRINDER



NO	PART NO	DESCRIPTION	Q'TY	ECN	NO	PART NO	DESCRIPTION	Q'TY	ECN
1		Housing Assembly	1		14.6	14521-2	Bushing	1	
1.1	14501-1	Housing	(N/A) 1		14.7		Front Plate Assembly	1	
1.2	14502-1	Valve Bushing	(N/A) 1		14.7.1	14523-2	Front Plate	(N/A) 1	
2	14503-1	Trigger Assembly	1		14.7.2	14517-1	Steel Ball	(N/A) 1	
3	14504-1	Pin	1		14.8	14524-1	Pin	1	
4	14505-1	O-Ring	1		14.9	14525-1	Bearing	1	
5	14506-1	O-Ring	1		14.10	14526-1	Collet Holder	1	
6	14507-1	Valve Stem	1		15	14527-1	Retainer	1	
7	14508-1	Spring	1		16	14528-1	Housing Cap	1	
8	14509-1	Air Regulator	1		17	14529-3	Collet	1	
9	14510-1	O-Ring	1		18	14530-1	Collet Nut	1	
10	14511-1	O-Ring	1		19	14531-2	Wrench	2	
11	14512-1	Valve Plug	1						
12	14513-1	Muffler Cover	1						
13	14514-2	Air Inlet	1						
14		Cylinder Assembly	1						
14.1	14515-1	Bearing	1						
14.2		End Plate Assembly	1						
14.2.1	14516-2	End Plate	(N/A) 1						
14.2.2	14517-1	Steel Ball	(N/A) 1						
14.3	14518-1	Rotor	1						
14.4	14519-1	Rotor Blade	4						
14.5	14520-1	Cylinder	1						