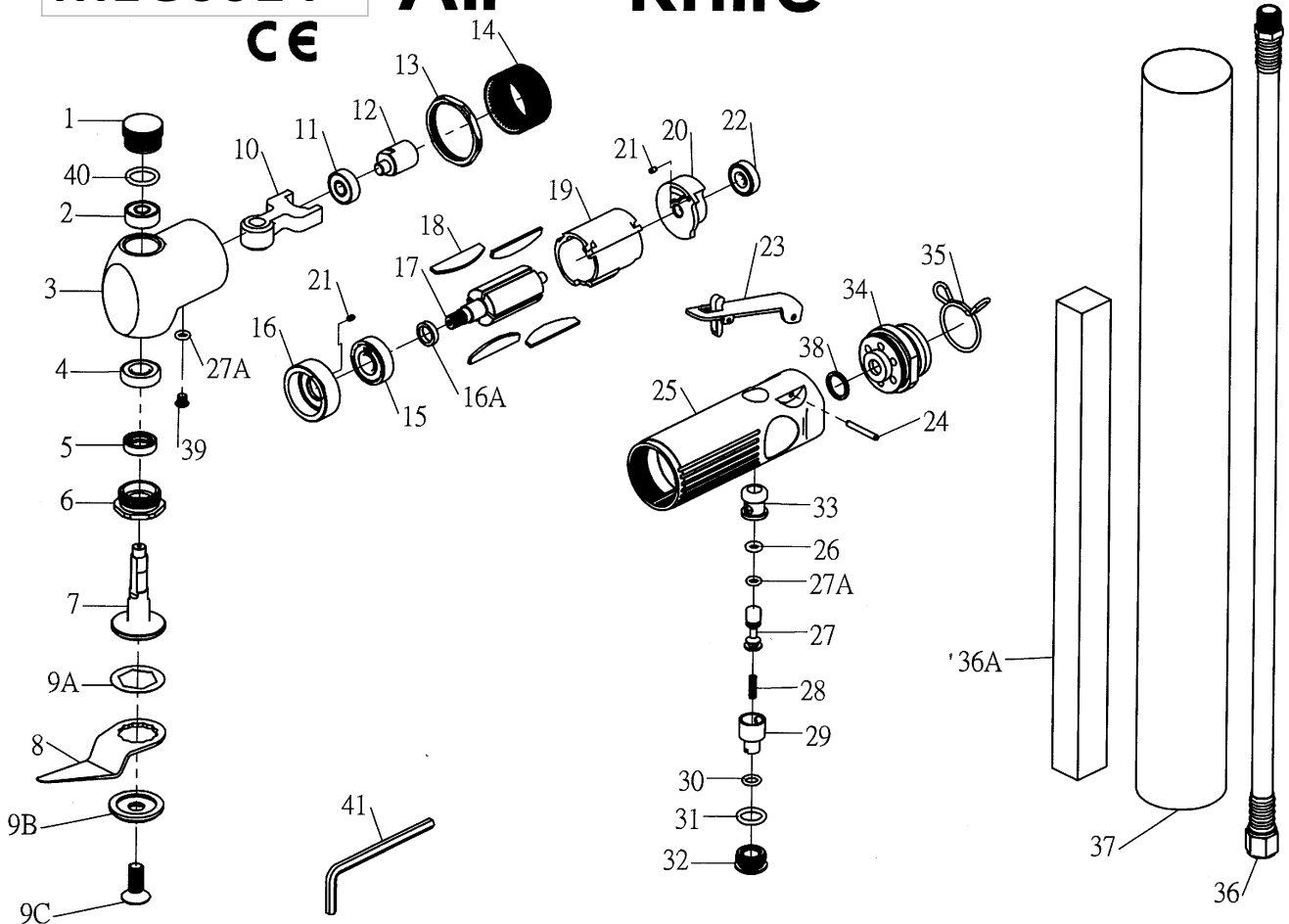


MEG6014 CE

Air Knife



PT-307

Index No.	Parts No.	Description	Q'ty
1	307001	Plug	1
2	BB-06072	Ball Bearing (607zz)	1
3	307003	Head	1
4	BB-69002	Ball Bearing (6900zz)	1
5	307005	Seal Oil	1
6	307006	Nut Clamp	1
7	307007	Spindle Drive	1
8	307008-K01A	Blade 57mm (2-14")	1
9A	307009A	Packing	1
9B	307009B	Retainer	1
9C	S7-8020A	Screw (M8x20)	1
10	307010	Fork Drive	1
11	BB-0607ZZ	Ball Bearing (607zz)	1
12	307012	Shaft Crank	1
13	307013	Nut	1
14	307014	Retainer	1
15	BB-6002	Ball Bearing (600zz)	1
16	307016	Front Plate	1
16A	307016A	Washer	1
17	307017	Rotor	1
18	302025	Rotor Blade	4
19	302026	Cylinder	1
20	307020	End Plate	1

Index No.	Parts No.	Description	Q'ty
21	SP-25040	Pin (2.5x4)	2
22	BB-06261	Ball Bearing (626zz)	1
23	307023	Throttle Lever	1
24	SP-30230	LeverPin (3x23)	1
25	307025	Housing	1
26	302034	O-Ring (ϕ 3.6x2.4)	1
27	302035	Valve Stem	1
27A	ORP-0050	O-Ring (P5)	2
28	301005	Valve Spring	1
29	302037	Air Regulator	1
30	ORP-0070	O-Ring (P7)	1
31	ORP-0120	O-Ring (P12)	1
32	302040	Throttle Valve Plug	1
33	302041	Valve Bushing	1
34	307034	Throttle Arbor	1
35	301A09	Stop Ring	1
36	301A50	Air Hose Assy 1/4"	1
36A	301A50A	Sponge	1
37	301A51	Exhaust Hose	1
38	307038	Packing	1
39	S4-5006B	Screw (M5x6)	1
40	ORP-0140	O-Ring (P14)	1
41	307041	Hattagon Wrench Key 5	1